



US00D872414S

(12) **United States Design Patent**
Naganawa et al.

(10) **Patent No.:** **US D872,414 S**

(45) **Date of Patent:** **** Jan. 7, 2020**

(54) **FARE COLLECTION MACHINE**

G07F 19/21; G07F 19/00; G07F 7/04;
G07F 5/00; G07F 1/00; E05G 7/001;

(71) Applicant: **LECIP HOLDINGS CORPORATION**, Motosu-shi, Gifu-ken (JP)

E05G 1/006; A63H 33/00; A63H 33/005
See application file for complete search history.

(72) Inventors: **Masahiko Naganawa**, Motosu (JP); **Takeshi Matsuno**, Motosu (JP); **Kenji Kimoto**, Motosu (JP); **Yoshihiro Nishizawa**, Motosu (JP); **Jun Ishida**, Motosu (JP)

(56) **References Cited**

U.S. PATENT DOCUMENTS

(73) Assignee: **LECIP HOLDINGS CORPORATION**, Motosu-Shi (JP)

D394,458 S *	5/1998	Watanabe	D20/10
D401,973 S *	12/1998	Isshiki	D20/10
D419,277 S *	1/2000	Ishii	D99/28
D424,575 S *	5/2000	Wilson	D14/130
D425,875 S *	5/2000	Wilson	D14/130
D530,880 S *	10/2006	Magee	D99/28
D674,985 S *	1/2013	Lee	D14/900
D701,365 S *	3/2014	Kimoto	D99/43
D702,415 S *	4/2014	Kimoto	D99/43
D782,148 S *	3/2017	Rohan	D99/28
D792,049 S *	7/2017	Oh	D99/28

(Continued)

(**) Term: **15 Years**

Primary Examiner — Elizabeth J Oswecki

(21) Appl. No.: **29/643,097**

(74) *Attorney, Agent, or Firm* — Cantor Colburn LLP

(22) Filed: **Apr. 4, 2018**

(30) **Foreign Application Priority Data**

Oct. 6, 2017 (JP) 2017-022201

(51) **LOC (12) Cl.** **99-00**

(52) **U.S. Cl.**
USPC **D99/43**; D99/28

(58) **Field of Classification Search**
USPC D99/28, 34-36, 43, 99; D14/300-302, D14/305, 307, 900-902; D18/3.1-3.3, D18/4.1-4.6, 12.1-12.3; D21/324, 325, D21/329, 369, 370; 101/66; 109/1 R, 109/1 V, 2, 23, 24.1, 25, 58, 58.5, 66; 446/8-13; 705/16, 17, 18, 42, 43, 44, 45; 235/51, 379, 380, 381, 382, 383.5, 386; 206/0.8, 0.81, 0.815, 0.82, 0.84
CPC .. G06Q 20/10; G06Q 20/108; G06Q 20/1085; G06Q 20/18; G07D 1/00; G07D 1/02; G07D 1/04; G07D 1/06; G07D 11/00; G07D 9/002; G07D 9/04; G07F 19/20; G07F 19/201; G07F 19/202; G07F 19/203; G07F 19/204; G07F 19/105;

(57) **CLAIM**

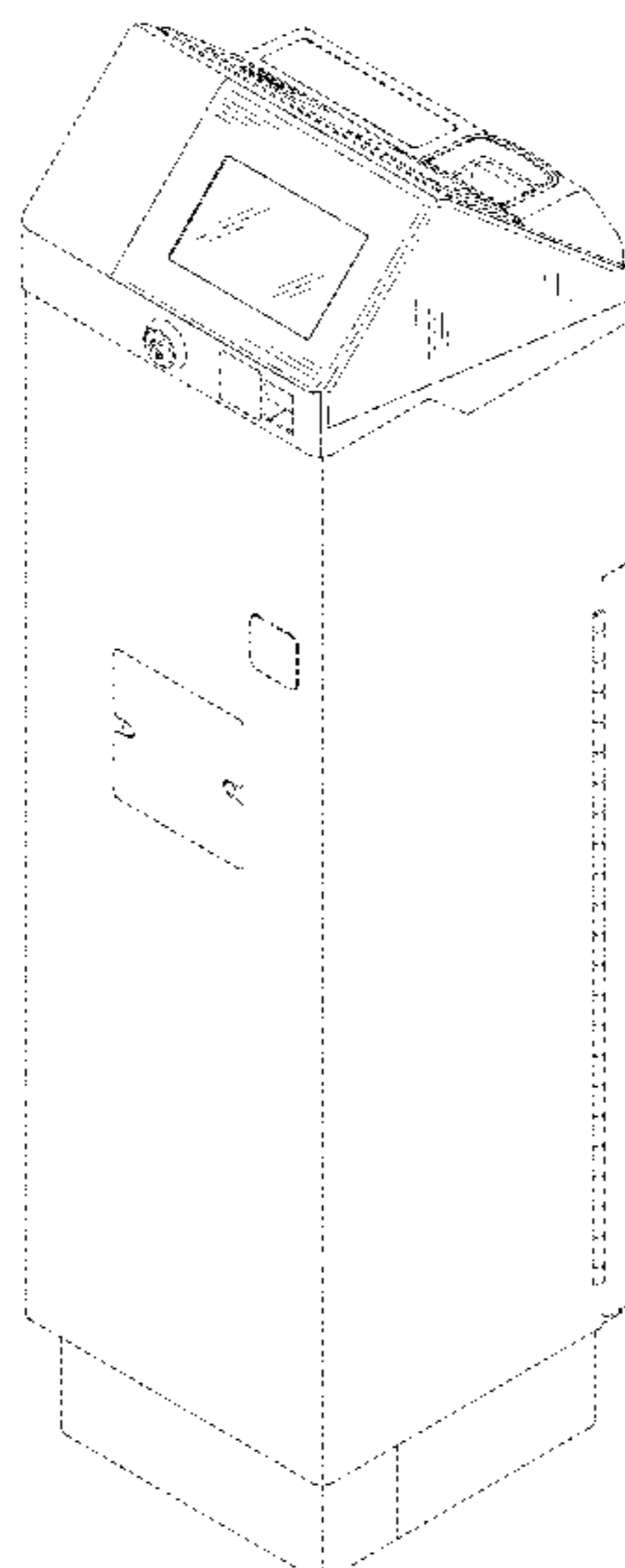
The ornamental design for a fare collection machine, as shown and described.

DESCRIPTION

FIG. 1 is a rear perspective view of a fare collection machine showing our new design;
FIG. 2 is a front view thereof;
FIG. 3 is a rear view thereof;
FIG. 4 is a top plan view thereof;
FIG. 5 is a right side view thereof; and,
FIG. 6 is a left side view thereof.

The broken lines illustrate portions of the fare collection machine and form no part of the claimed design. The dash dotted lines denote the boundaries of the claim and form no part of the claimed design. The bottom plan view is omitted since it does not contain ornamental feature.

1 Claim, 6 Drawing Sheets



(56)

References Cited

U.S. PATENT DOCUMENTS

D803,507	S	*	11/2017	Park	D99/28
D825,133	S	*	8/2018	Park	D99/28
D825,134	S	*	8/2018	Birnie	D99/28
D833,704	S	*	11/2018	Kraft	D99/28
D839,529	S	*	1/2019	Nelson	D99/28
D853,077	S	*	7/2019	Ku	D99/28
D853,079	S	*	7/2019	King	D99/43
D853,678	S	*	7/2019	King	D99/43
D853,679	S	*	7/2019	King	D99/43
2004/0262379	A1	*	12/2004	Gomes	G06Q 30/06 235/379
2006/0073883	A1	*	4/2006	Franks, Jr.	G06Q 30/02 463/25

* cited by examiner

FIG.1

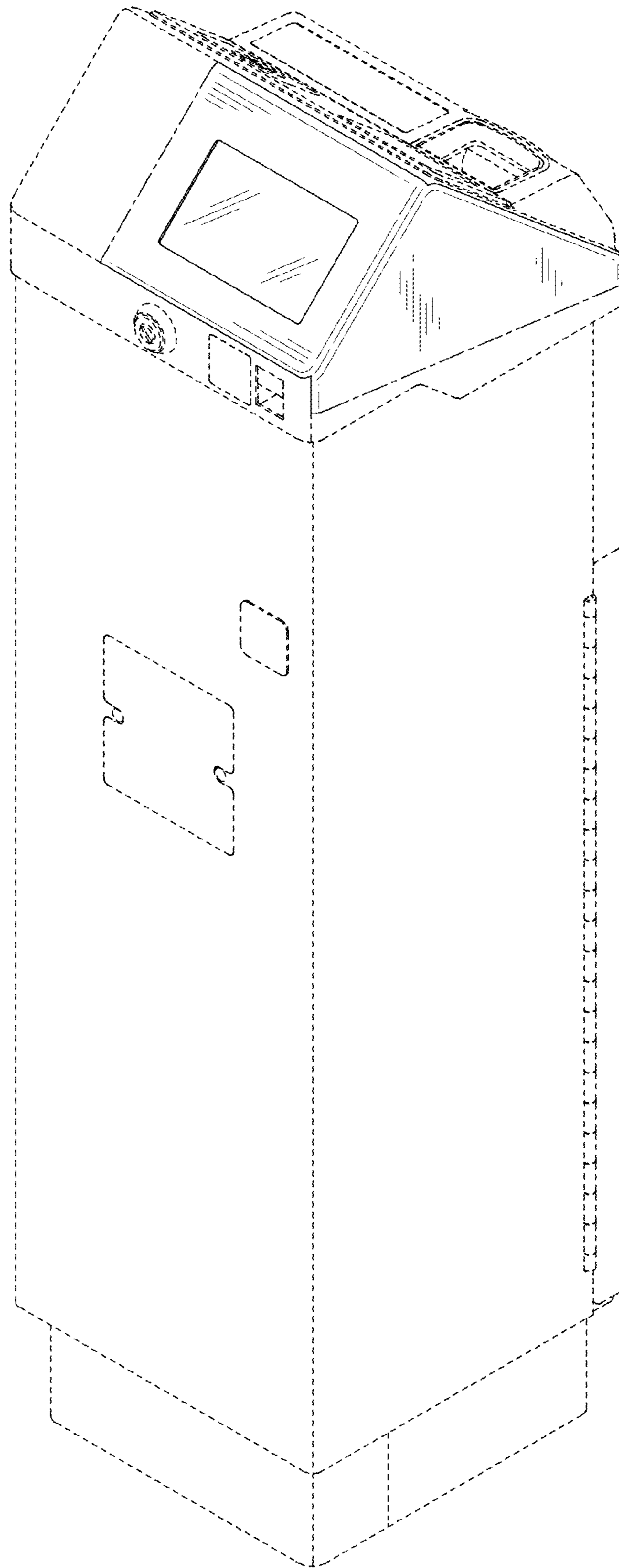


FIG.2

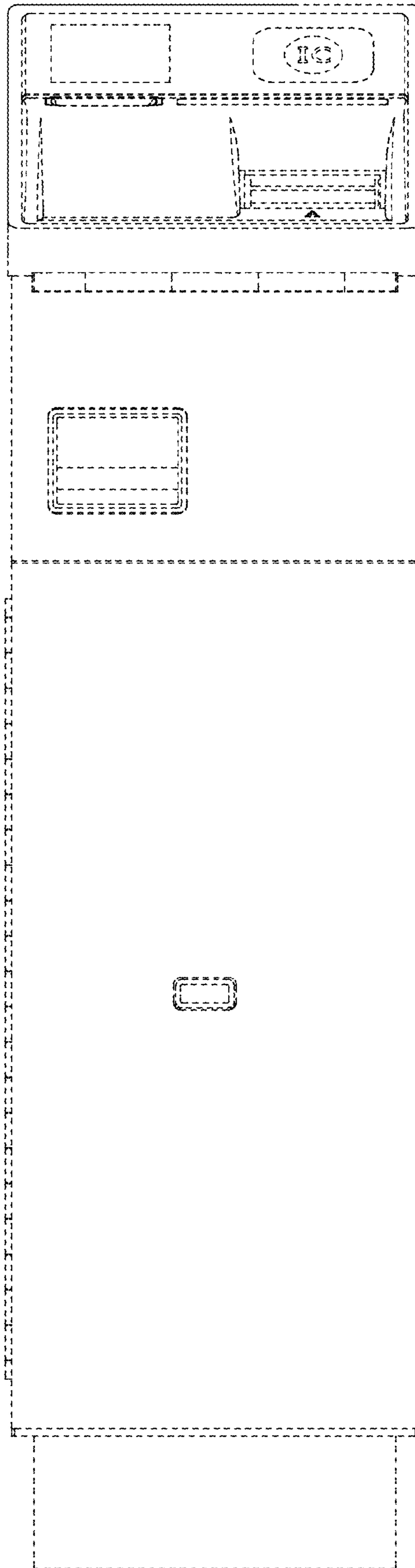


FIG.3

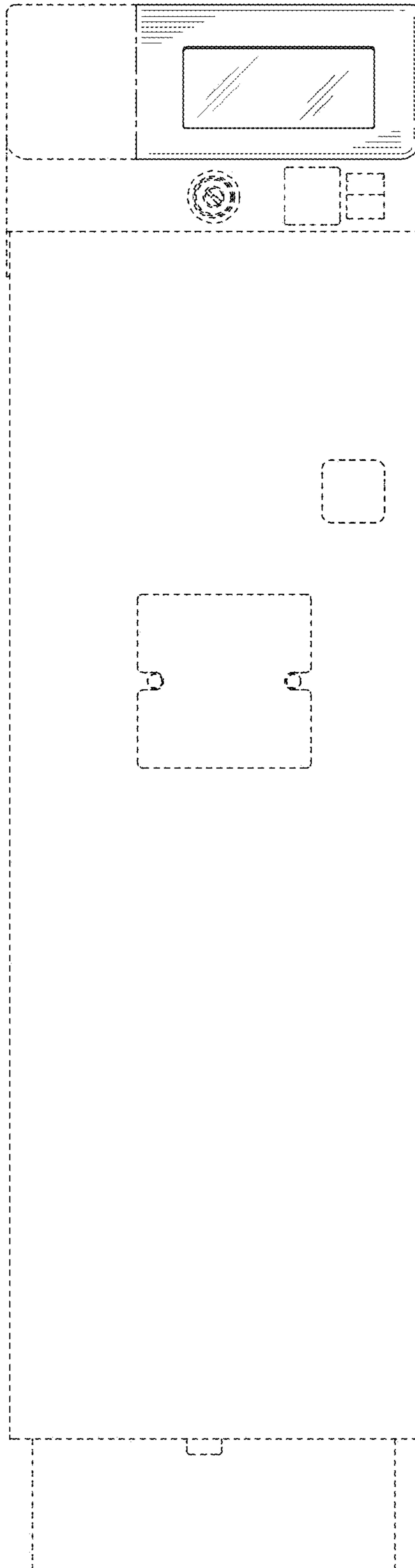


FIG.4

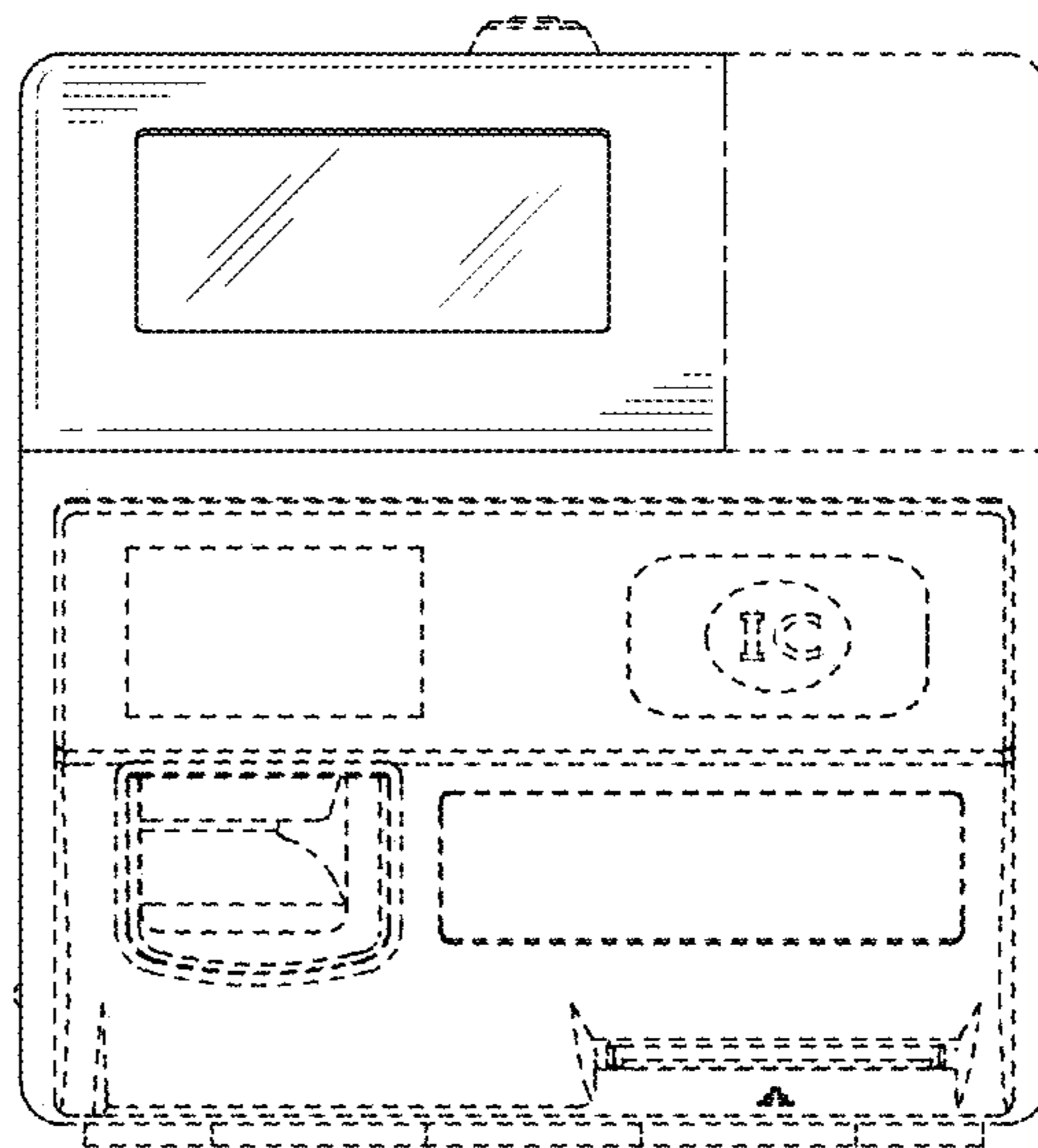


FIG.5

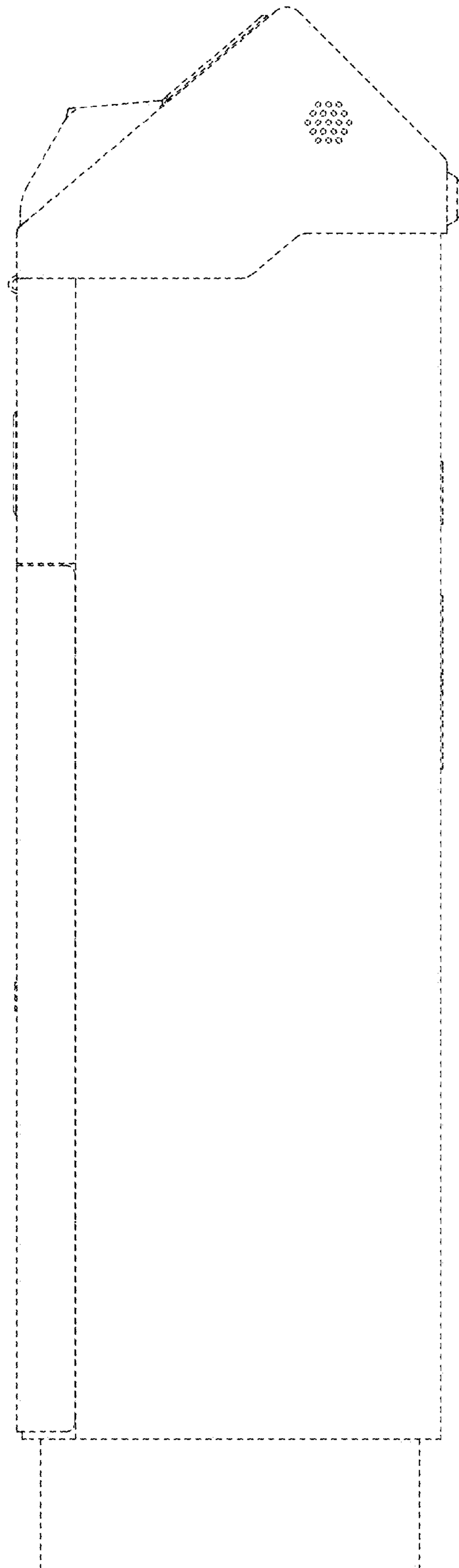


FIG.6

