



US00D872413S

(12) **United States Design Patent**
Silverman

(10) **Patent No.:** **US D872,413 S**

(45) **Date of Patent:** **** Jan. 7, 2020**

(54) **INTERACTIVE TALKING MONUMENT**

(71) Applicant: **Lloyd B. Silverman**, Plantation, FL
(US)

(72) Inventor: **Lloyd B. Silverman**, Plantation, FL
(US)

(**) Term: **15 Years**

(21) Appl. No.: **29/632,806**

(22) Filed: **Jan. 10, 2018**

(51) **LOC (12) Cl.** **25-03**

(52) **U.S. Cl.**
USPC **D99/17; D14/203.2**

(58) **Field of Classification Search**
USPC D14/172, 188-189, 203.1-203.8, 204,
D14/207, 214-215, 299, 496;
D99/17-24; D6/662, 662.1;
D11/131-133; 52/103-104
CPC E04H 13/00; E04H 13/003; A61G 17/00;
A61G 17/08

See application file for complete search history.

(56) **References Cited**

U.S. PATENT DOCUMENTS

214,339	A *	4/1879	Wimer	E04H 13/003 52/104
291,106	A *	1/1884	Strong	E04H 13/003 40/124.5
627,424	A *	6/1899	Jarrett	E04H 13/003 52/103
955,720	A *	4/1910	Thomas	E04H 13/003 40/124.5
1,307,366	A *	6/1919	Le Deit	E04H 13/003 40/124.5
D60,712	S *	3/1922	Way	52/103
D77,797	S *	2/1929	Vericel	D14/215
D89,766	S *	5/1933	Hull	D99/17
5,546,710	A *	8/1996	Barry	E04H 13/003 52/104
D409,246	S *	5/1999	Fereday	D11/157
D435,230	S *	12/2000	Spiegel	D11/143

(Continued)

OTHER PUBLICATIONS

Immortal Solutions Enterprises, The Interactive Speaking Monument, online, no post date, URL: <https://immortalsolutionsenterprises.com/2018/02/02/the-journey-begins/> , retrieved Jul. 2, 2018.*

Primary Examiner — Jeffrey D Asch
Assistant Examiner — Rebekah A Caruso

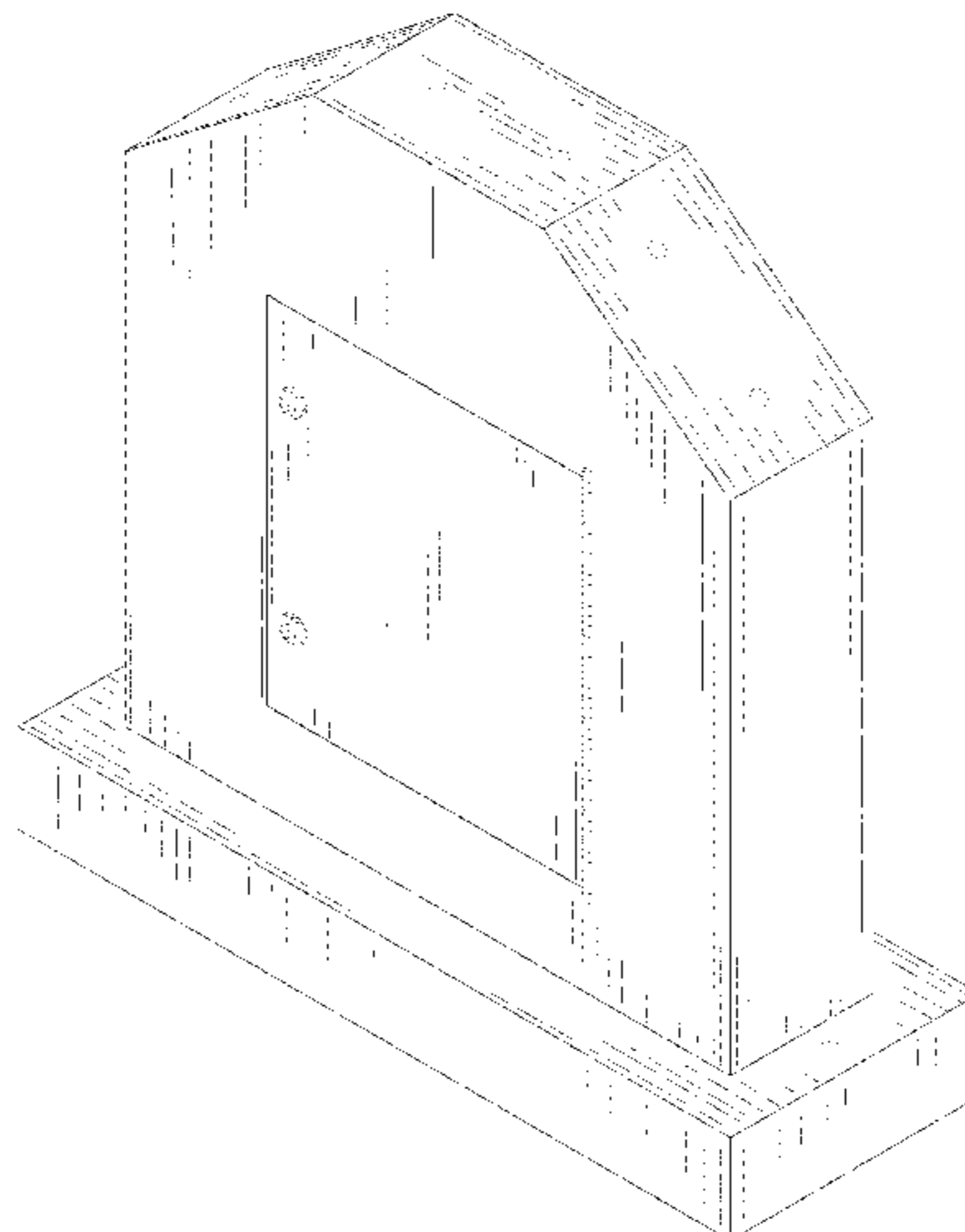
(57) **CLAIM**

The ornamental design for an interactive talking monument, as shown and described.

DESCRIPTION

FIG. 1 is a top right perspective view of the design of an interactive talking monument;
FIG. 2 is a top left perspective view of the design of the interactive talking monument;
FIG. 3 is a bottom left perspective view thereof;
FIG. 4 is a back view thereof;
FIG. 5 is a front view thereof;
FIG. 6 is a top view thereof;
FIG. 7 is a bottom view thereof;
FIG. 8 is a left view thereof;
FIG. 9 is a right view thereof;
FIG. 10 is a cross-sectional view taken through 10-10 of FIG. 8; and,
FIG. 11 is a cross-sectional view taken through 11-11 of FIG. 8.
The broken line showing of the hinges and the keyholes in FIGS. 1-4, 6, 8, and 9, the broken line showing of holes in FIGS. 1, 2, 6, and 8-11, the broken line showing of the internal structure in FIG. 11, and the broken line showing of a visitor time capsule hole in FIGS. 1, 6, 10, and 11 are included for the purpose of showing environmental structure and form no part of the claimed design.

1 Claim, 11 Drawing Sheets



(56)

References Cited

U.S. PATENT DOCUMENTS

6,203,643 B1 * 3/2001 Gaunt B44C 1/22
156/153
7,406,754 B2 * 8/2008 Trail E04H 13/008
27/1
7,703,185 B2 * 4/2010 Trail E04H 13/008
27/1
D687,205 S * 7/2013 Vanacore D99/17
8,510,921 B2 * 8/2013 Florea A61G 17/04
27/1
8,510,928 B2 * 8/2013 Rauch E04H 13/003
29/453
8,935,837 B2 * 1/2015 Jairala, Jr. A61G 17/08
27/1
9,350,425 B1 * 5/2016 Lewis H04B 5/0068
D835,379 S * 12/2018 Singh D99/17
D844,853 S * 4/2019 Silverman D25/58

* cited by examiner

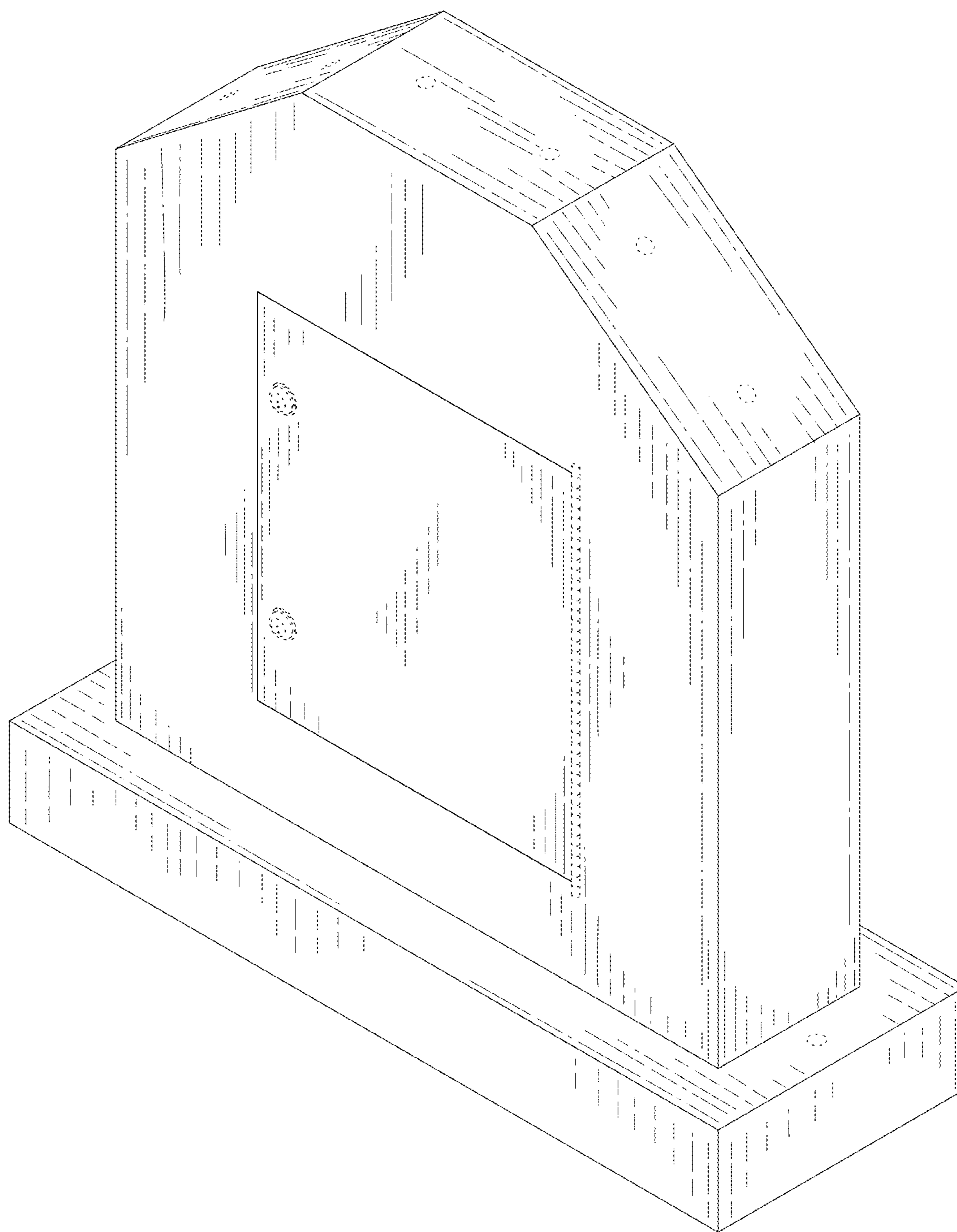


FIG. 1

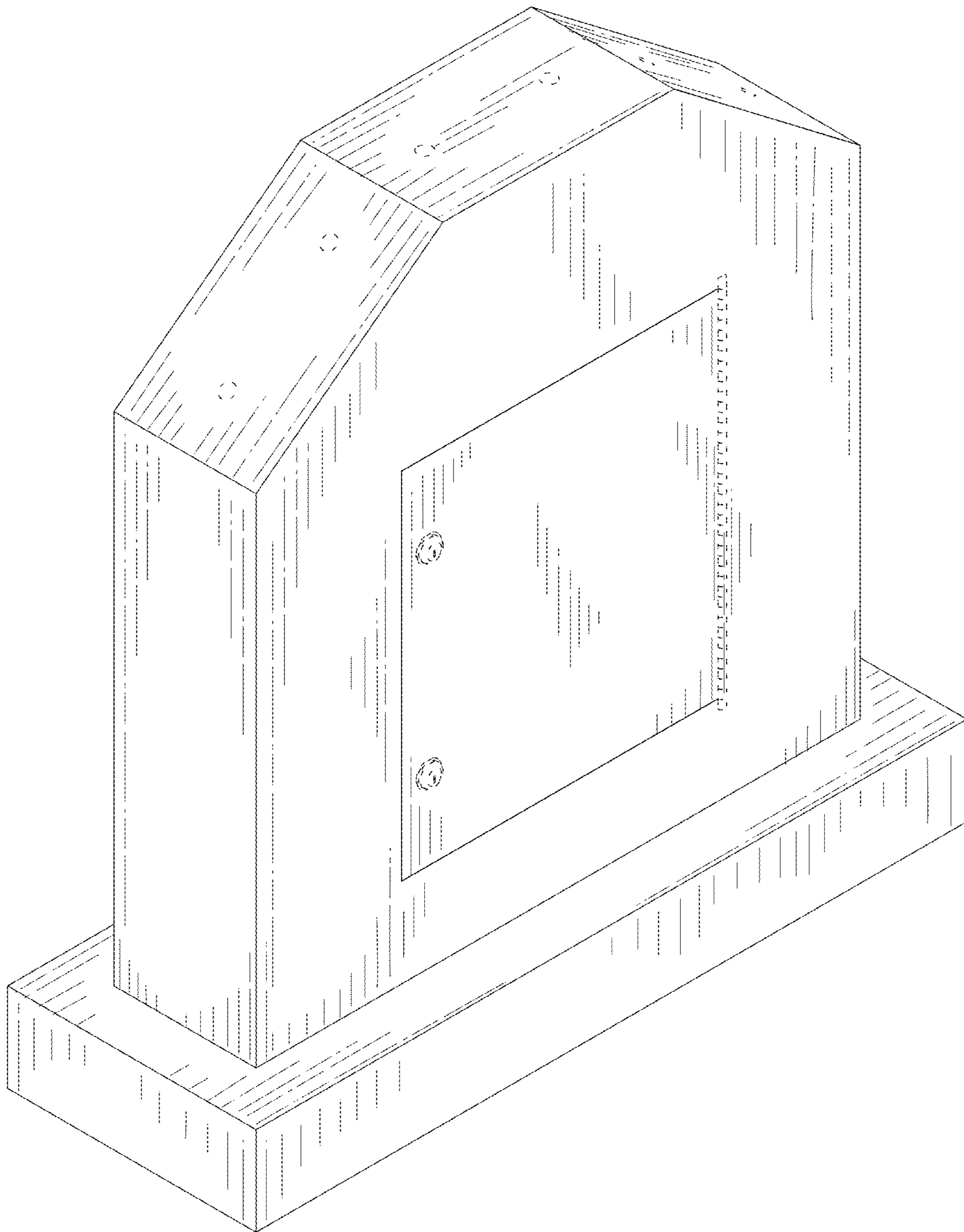


FIG. 2

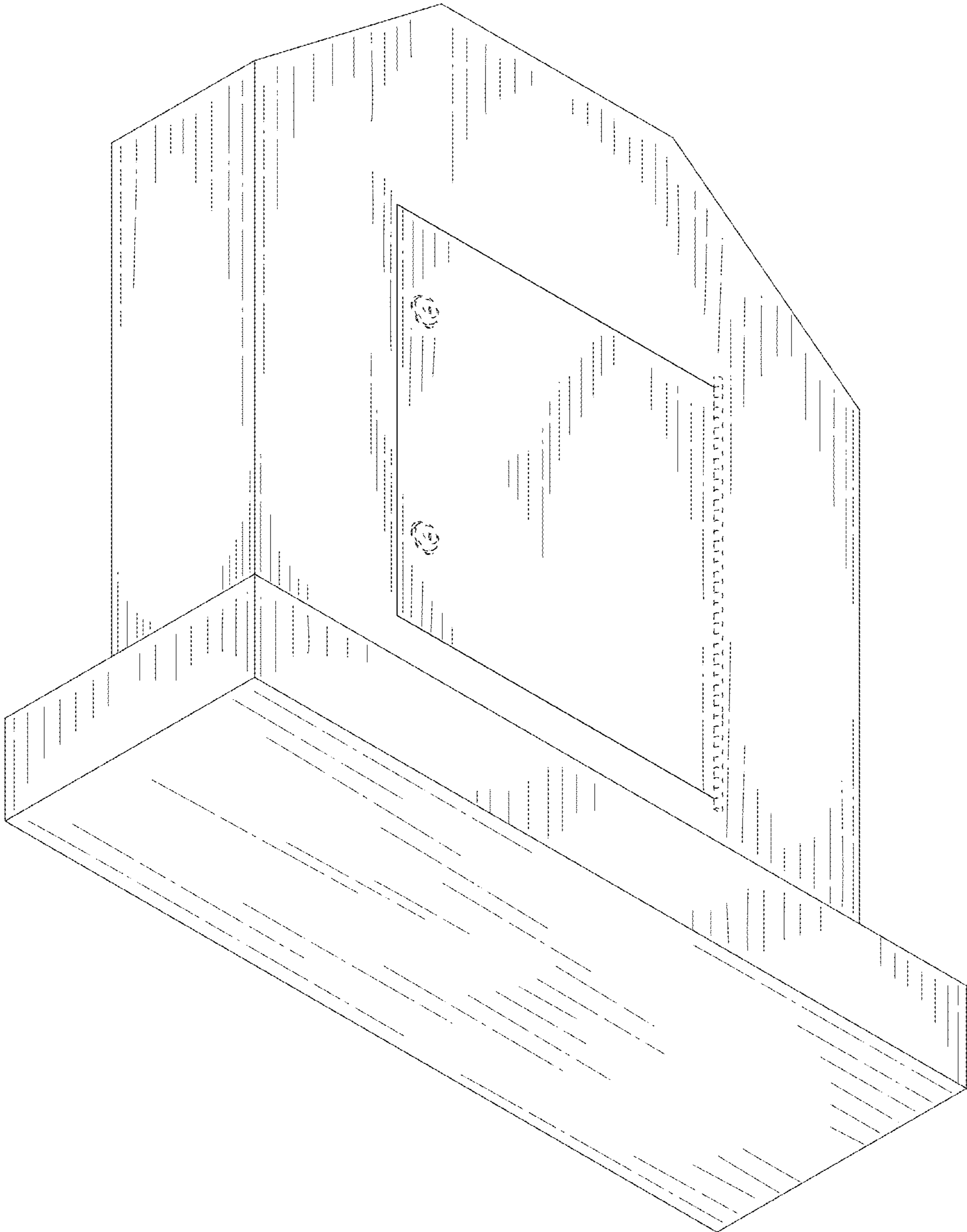


FIG. 3

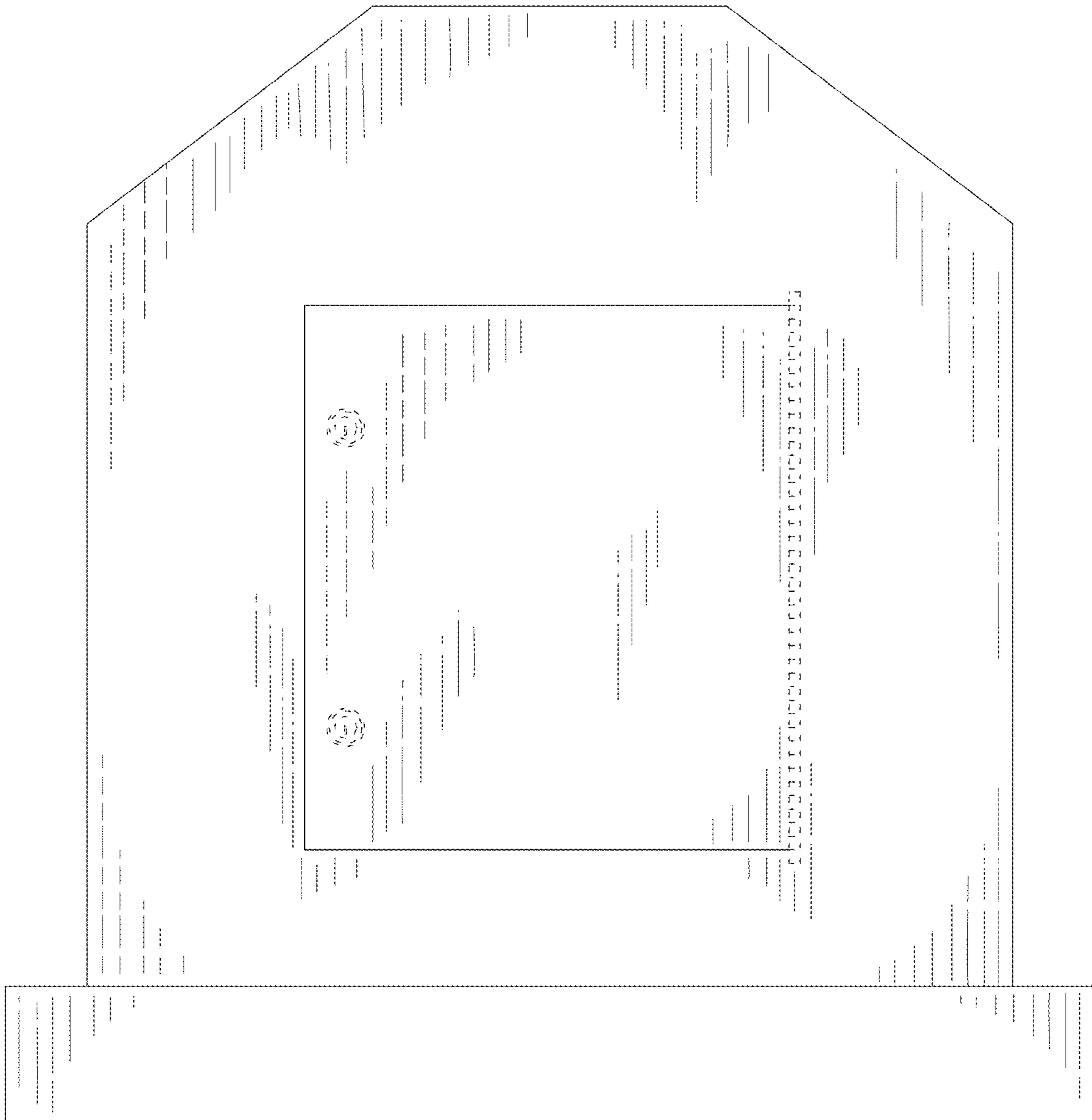


FIG. 4

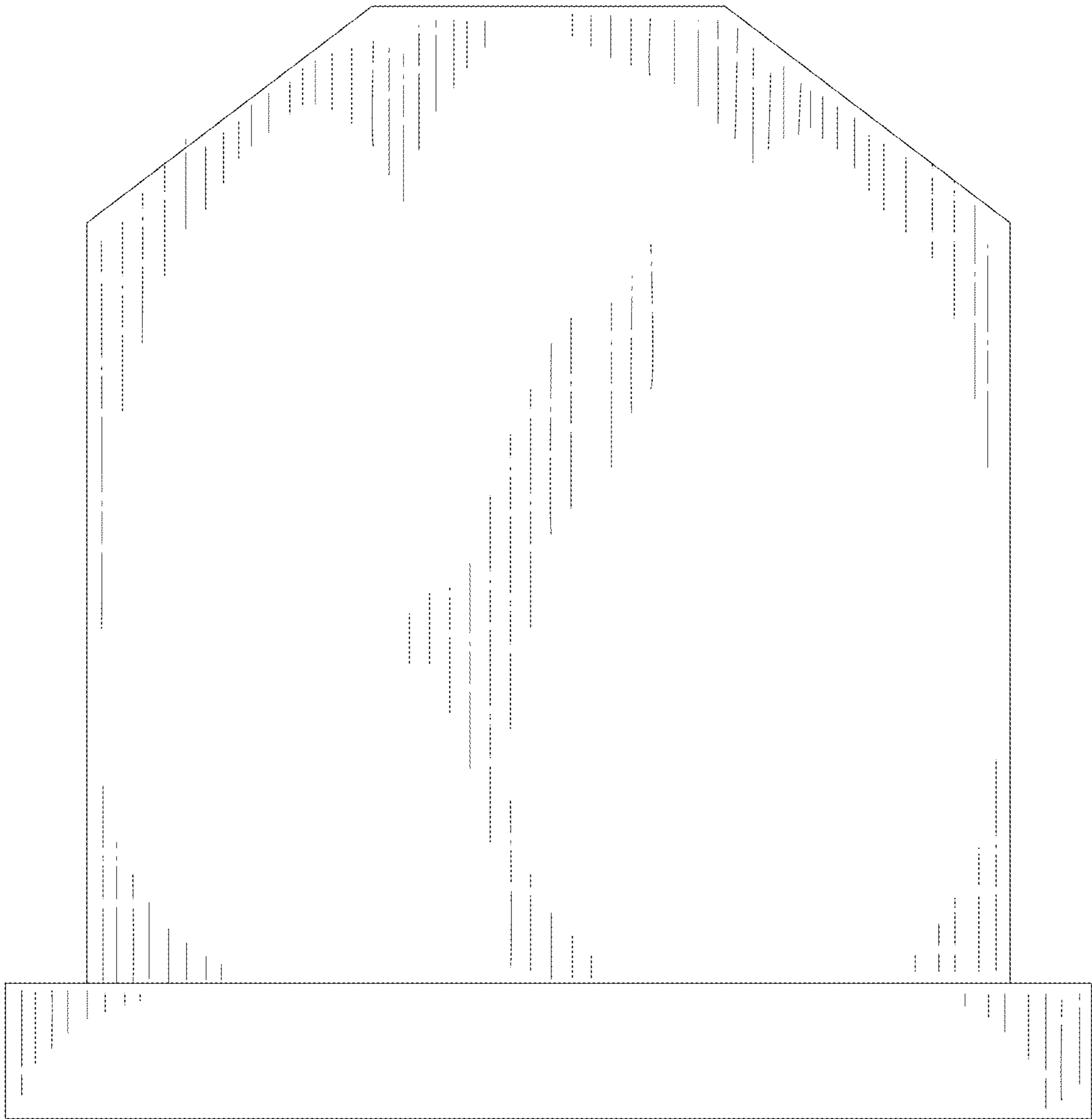


FIG. 5

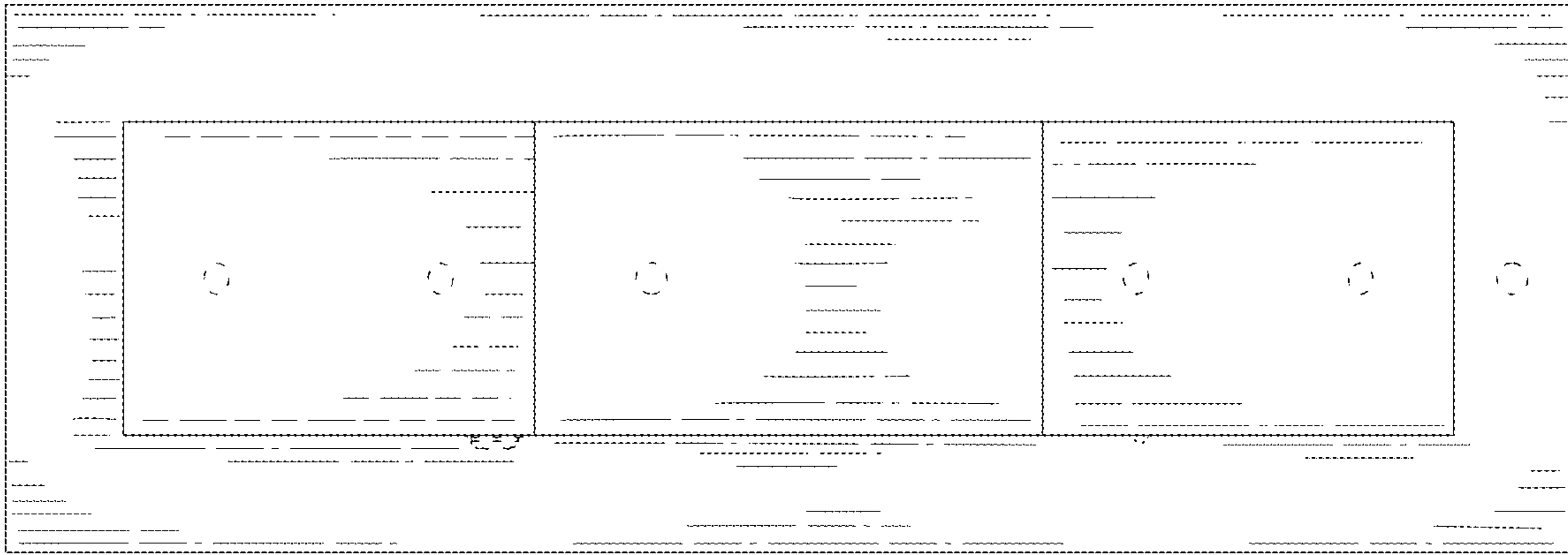


FIG. 6



FIG. 7



FIG. 8

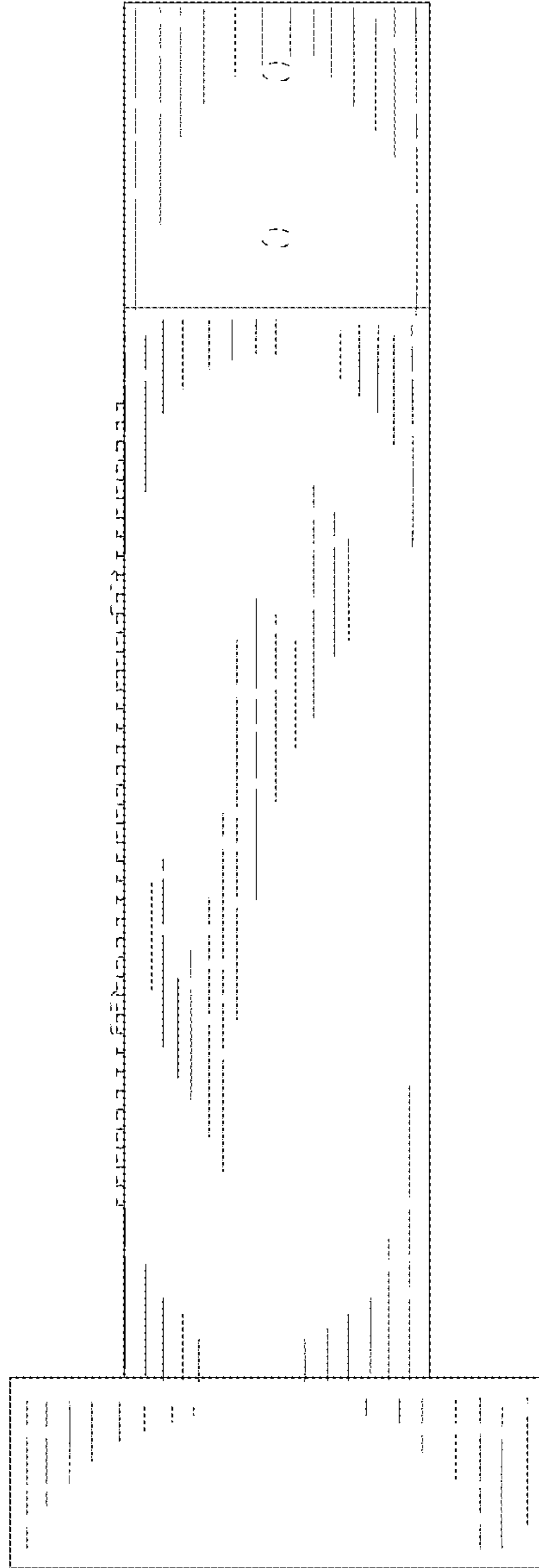


FIG. 9

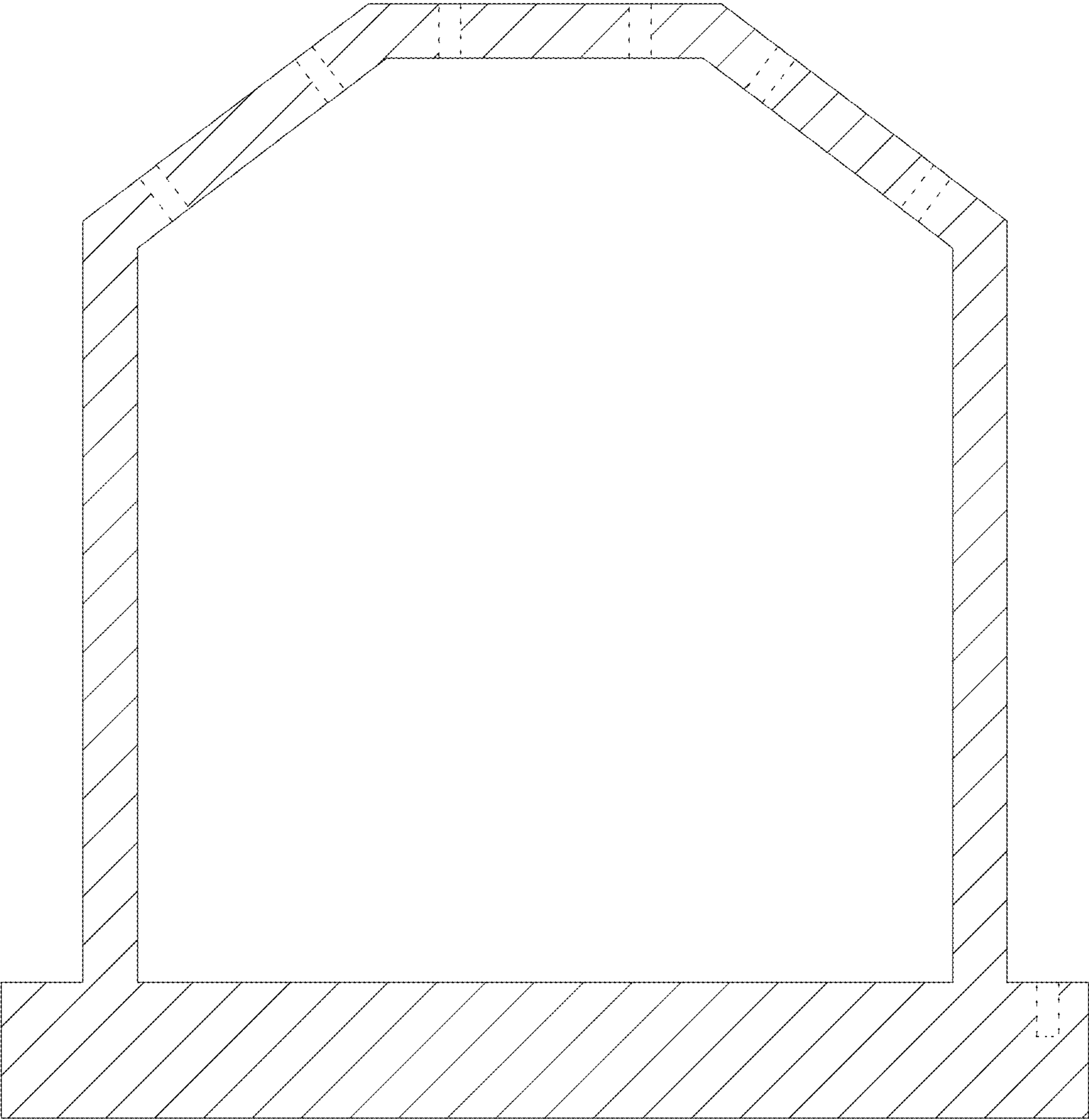


FIG. 10

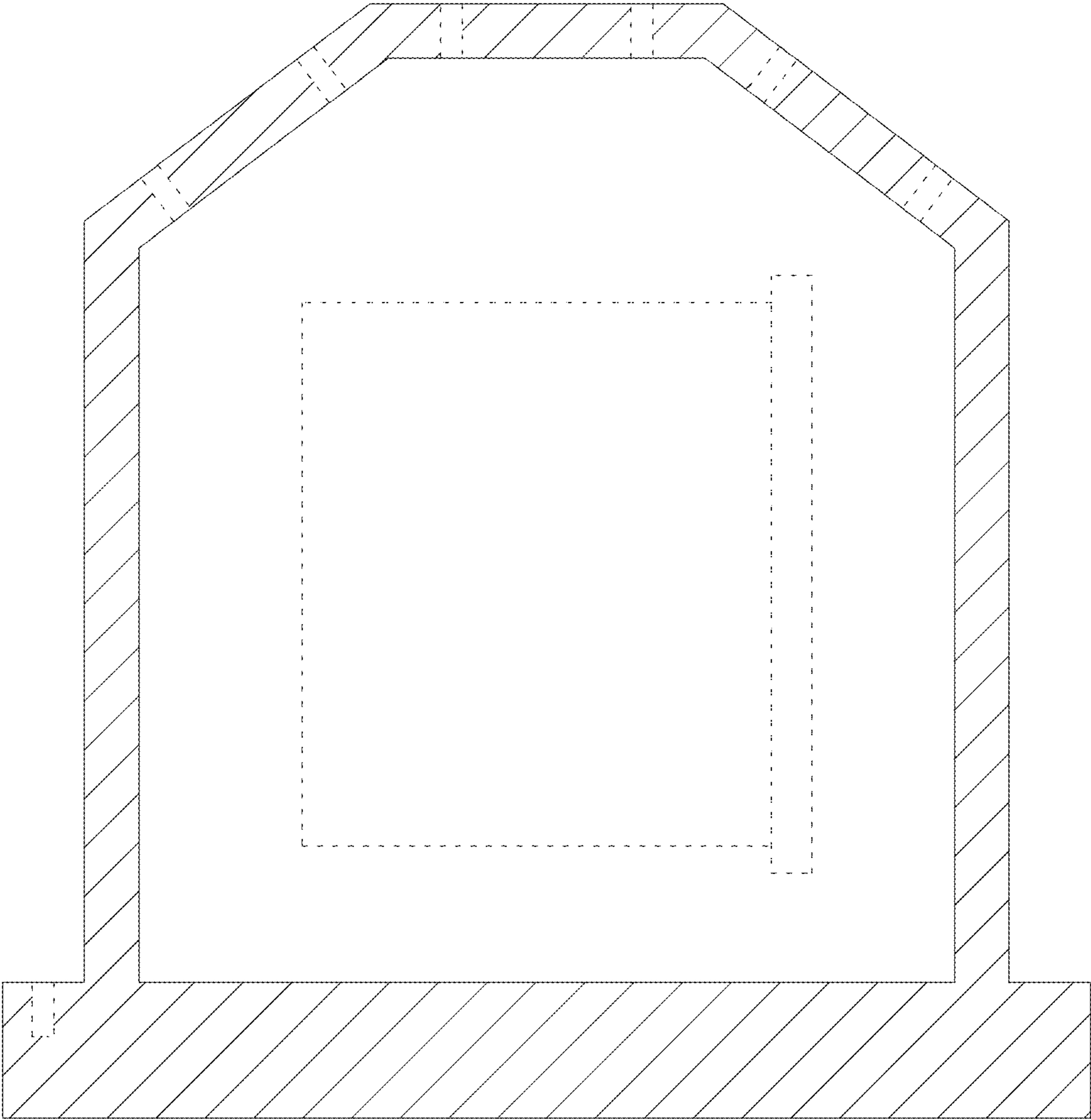


FIG. 11