



US00D872411S

(12) **United States Design Patent**
Houchens

(10) **Patent No.:** **US D872,411 S**
(45) **Date of Patent:** **** Jan. 7, 2020**

(54) **BARREL SLUICE**

(71) Applicant: **Robert G. Houchens**, Crestwood, KY
(US)

(72) Inventor: **Robert G. Houchens**, Crestwood, KY
(US)

(**) Term: **15 Years**

(21) Appl. No.: **29/637,908**

(22) Filed: **Feb. 22, 2018**

(51) **LOC (12) Cl.** **09-02**

(52) **U.S. Cl.**
USPC **D34/39**

(58) **Field of Classification Search**
USPC D34/4, 39; D9/633; D11/145
CPC B65D 9/02; B65D 43/12; B65D 39/082;
B03B 5/26; B03B 5/56; B03B 7/00
See application file for complete search history.

(56) **References Cited**

U.S. PATENT DOCUMENTS

338,443	A *	3/1886	Scheel	B65D 9/02
					217/72
D16,734	S *	6/1886	Burnell et al.	D20/37
799,483	A *	9/1905	Metcalf	B65D 9/02
					217/72
841,002	A *	1/1907	East	B65D 9/02
					217/72
972,863	A *	10/1910	James	A47G 29/1216
					248/146
1,111,584	A *	9/1914	Huckabay	B65D 9/02
					217/72
1,200,581	A *	10/1916	Brown	B65D 9/02
					217/72
D193,084	S *	6/1962	Elkins	D7/301
D220,462	S *	4/1971	De Van et al.	D7/301
D228,489	S *	10/1973	Mascia	D9/633
D234,024	S *	12/1974	Kuneff	D30/102
D243,540	S *	3/1977	Barrett	D30/102

D244,147	S *	4/1977	Hall	D30/102
D259,668	S *	6/1981	Vazquez	D30/102
D269,046	S *	5/1983	Faul	D34/4
D342,392	S *	12/1993	Mujica	D34/39
D344,204	S *	2/1994	Dixon	D34/39
D362,178	S *	9/1995	Curtis	D9/633
D363,216	S *	10/1995	Curtis	D9/633
D408,113	S *	4/1999	Hunter	D34/39
D542,980	S *	5/2007	Scarrott	D30/102
D586,228	S *	2/2009	McWillis	D6/674
D603,575	S *	11/2009	Kerman	D23/202
D627,182	S *	11/2010	Wirth	D6/542
D640,033	S *	6/2011	Magrenan	D34/39

(Continued)

OTHER PUBLICATIONS

<http://coldrivermining.com/mining-master-tm-barrel-sluice.html>, Mining Master Barrel Sluice, Google search Aug. 13, 2019 (Year: 2017).*

Primary Examiner — Cynthia Ramirez
(74) *Attorney, Agent, or Firm* — Carrithers Law Office, PLLC; David W. Carrithers

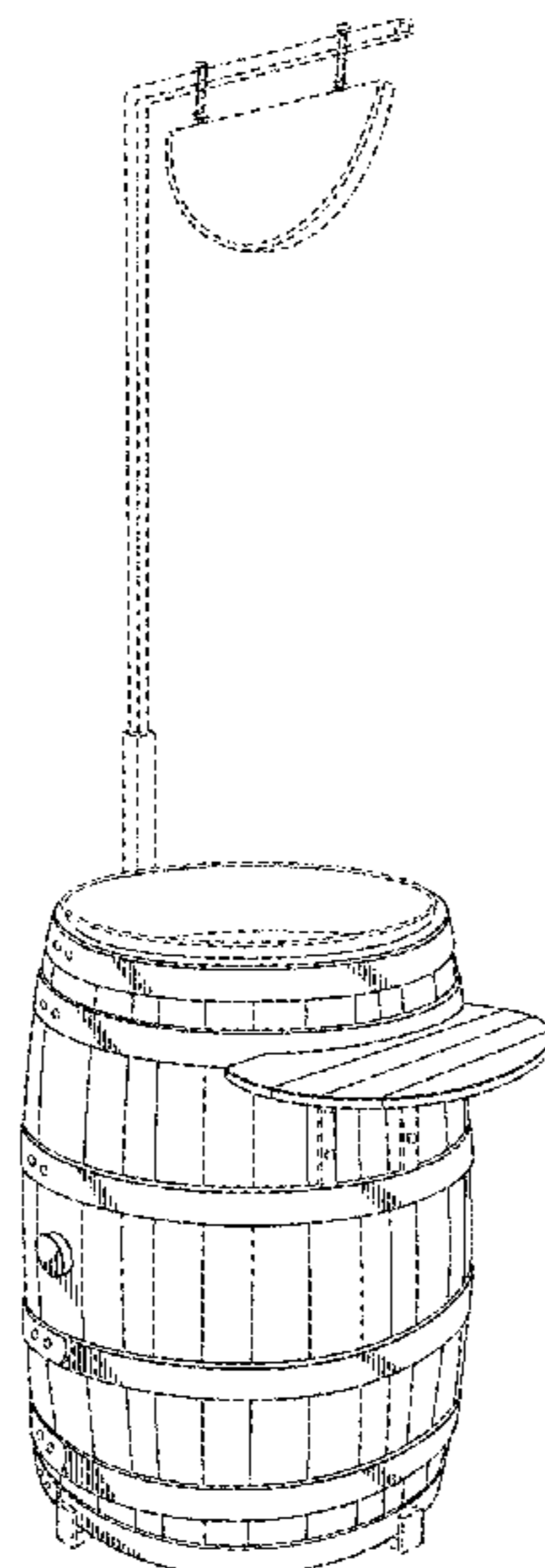
(57) **CLAIM**

The ornamental design for a barrel sluice, as shown and described.

DESCRIPTION

FIG. 1 is a perspective view of a barrel sluice showing my new design;
FIG. 2 is a left side view thereof;
FIG. 3 is a right side view thereof;
FIG. 4 is a front view thereof;
FIG. 5 is a rear view thereof;
FIG. 6 is a top view thereof; and,
FIG. 7 is a bottom view thereof.
The broken lines shown in the drawings are to show portions of the barrel sluice which for no part of the claimed design.

1 Claim, 4 Drawing Sheets



(56)

References Cited

U.S. PATENT DOCUMENTS

2011/0005613 A1* 1/2011 Griffin E03B 3/02
137/357
2018/0369830 A1* 12/2018 Houchens B03B 5/26

* cited by examiner

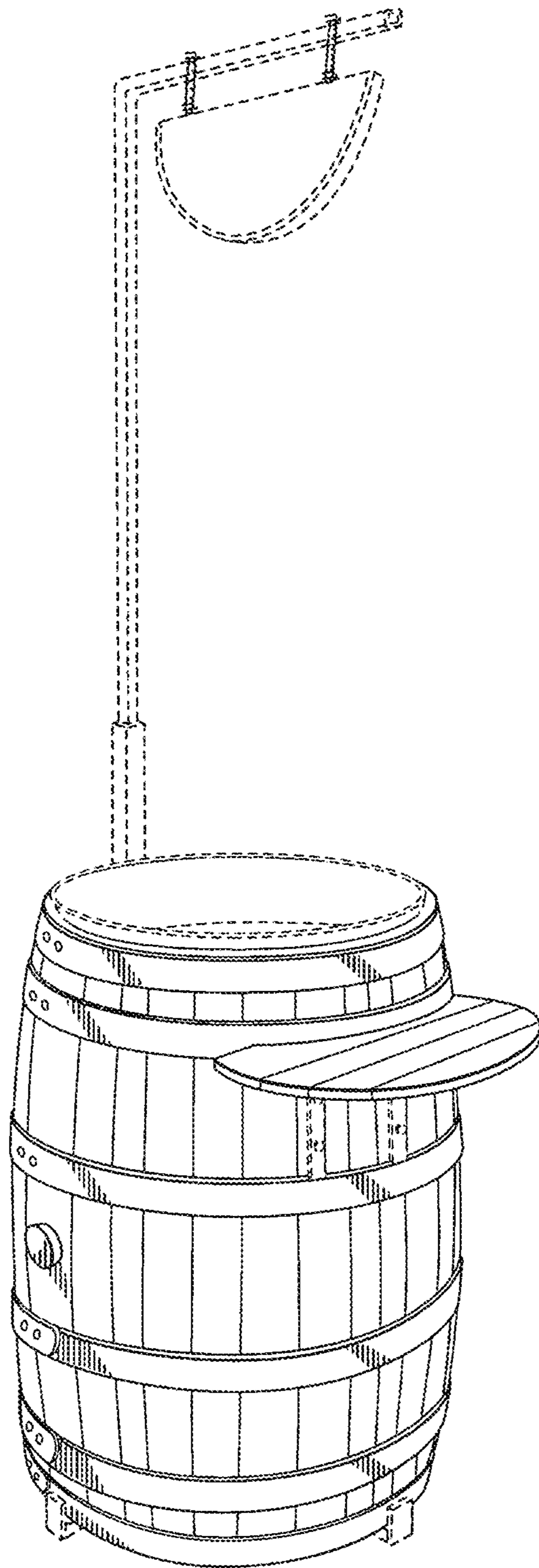


FIG. 1

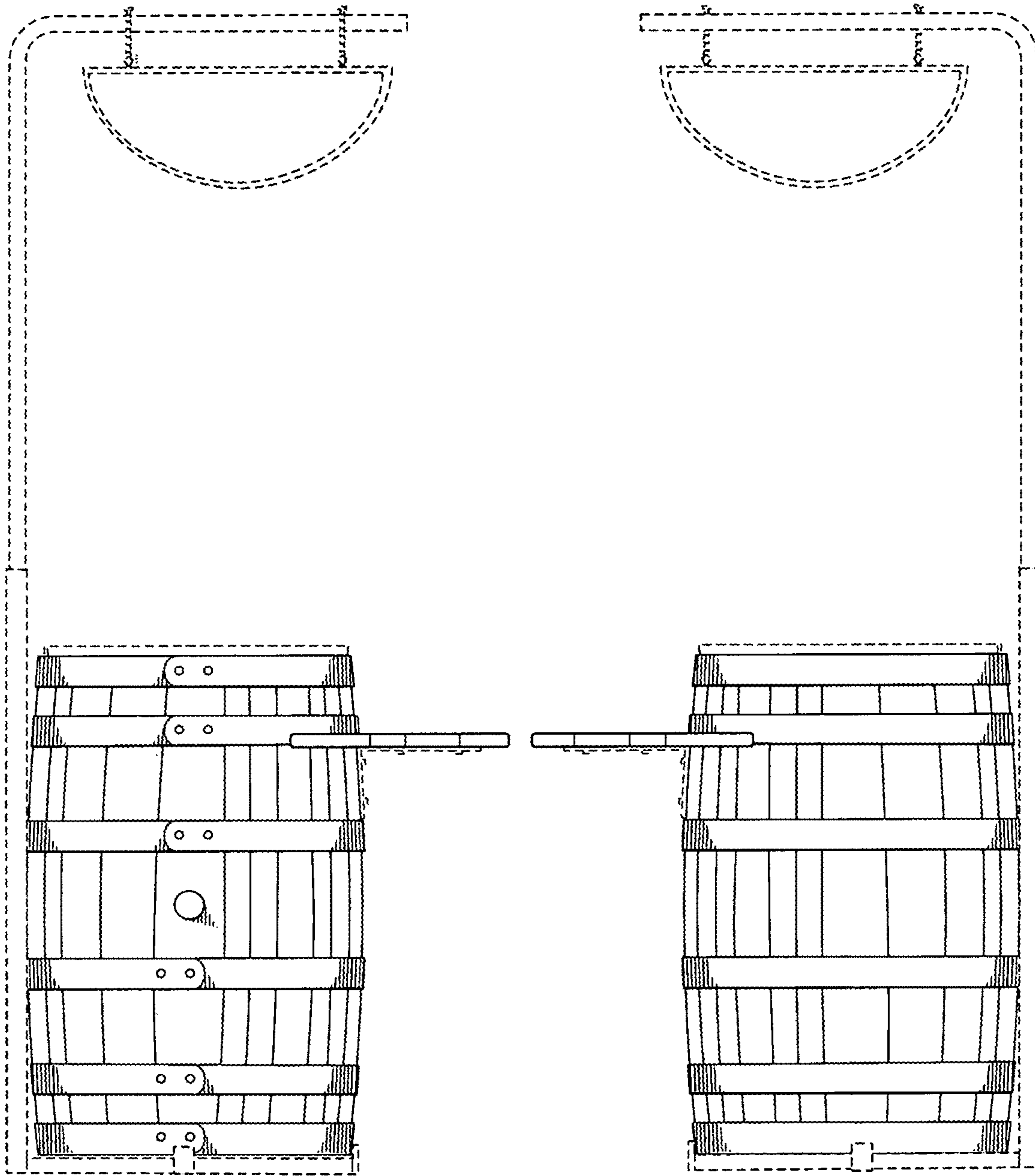


FIG. 2

FIG. 3

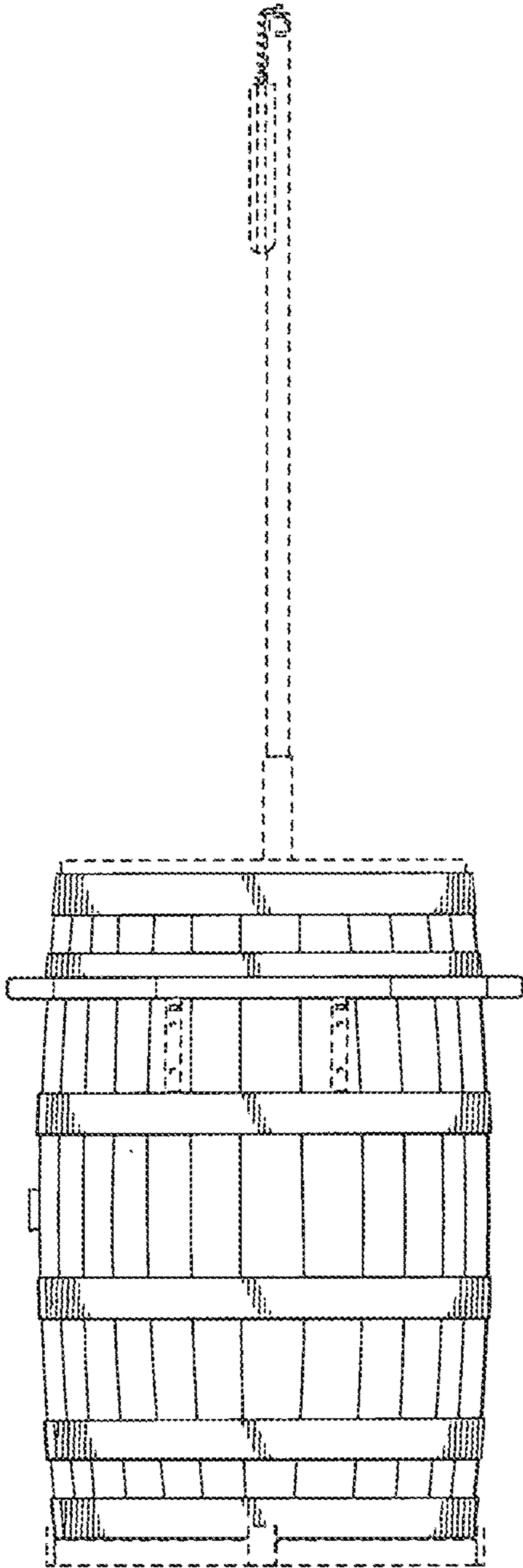


FIG. 4

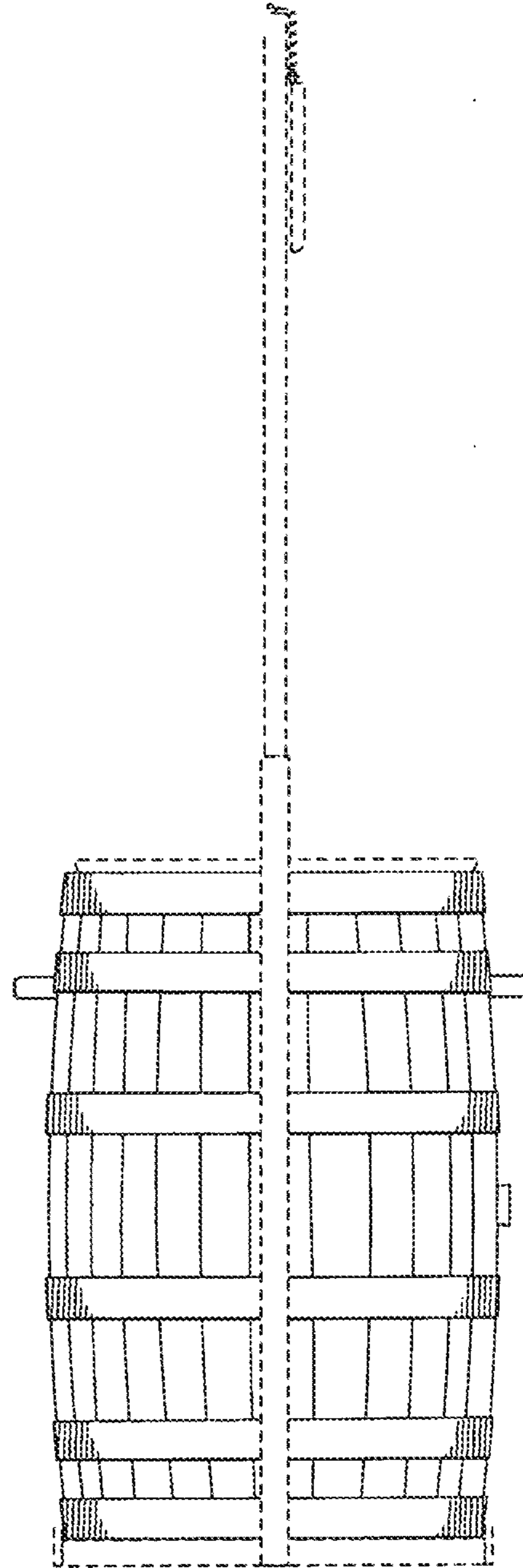


FIG. 5

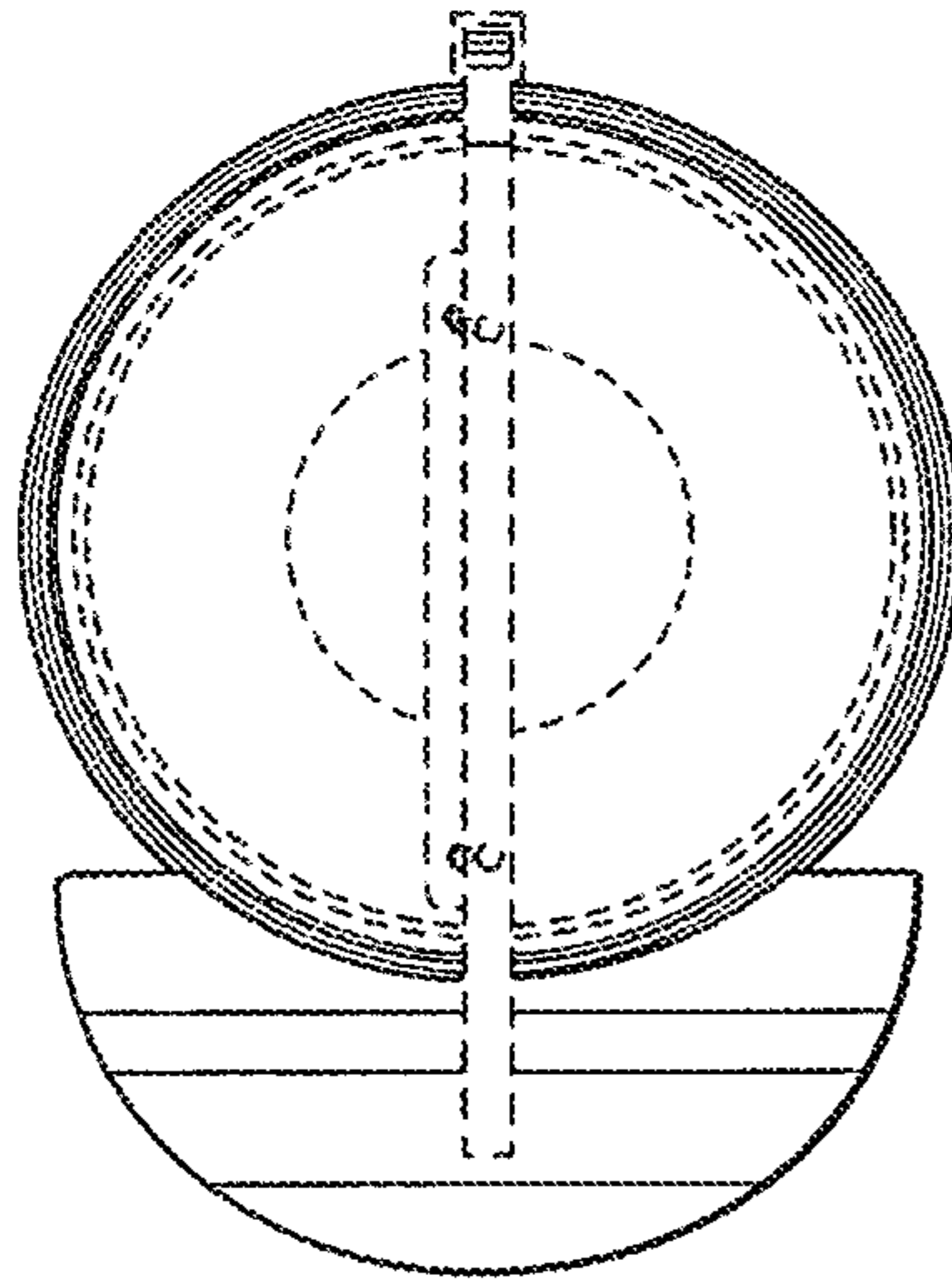


FIG. 6

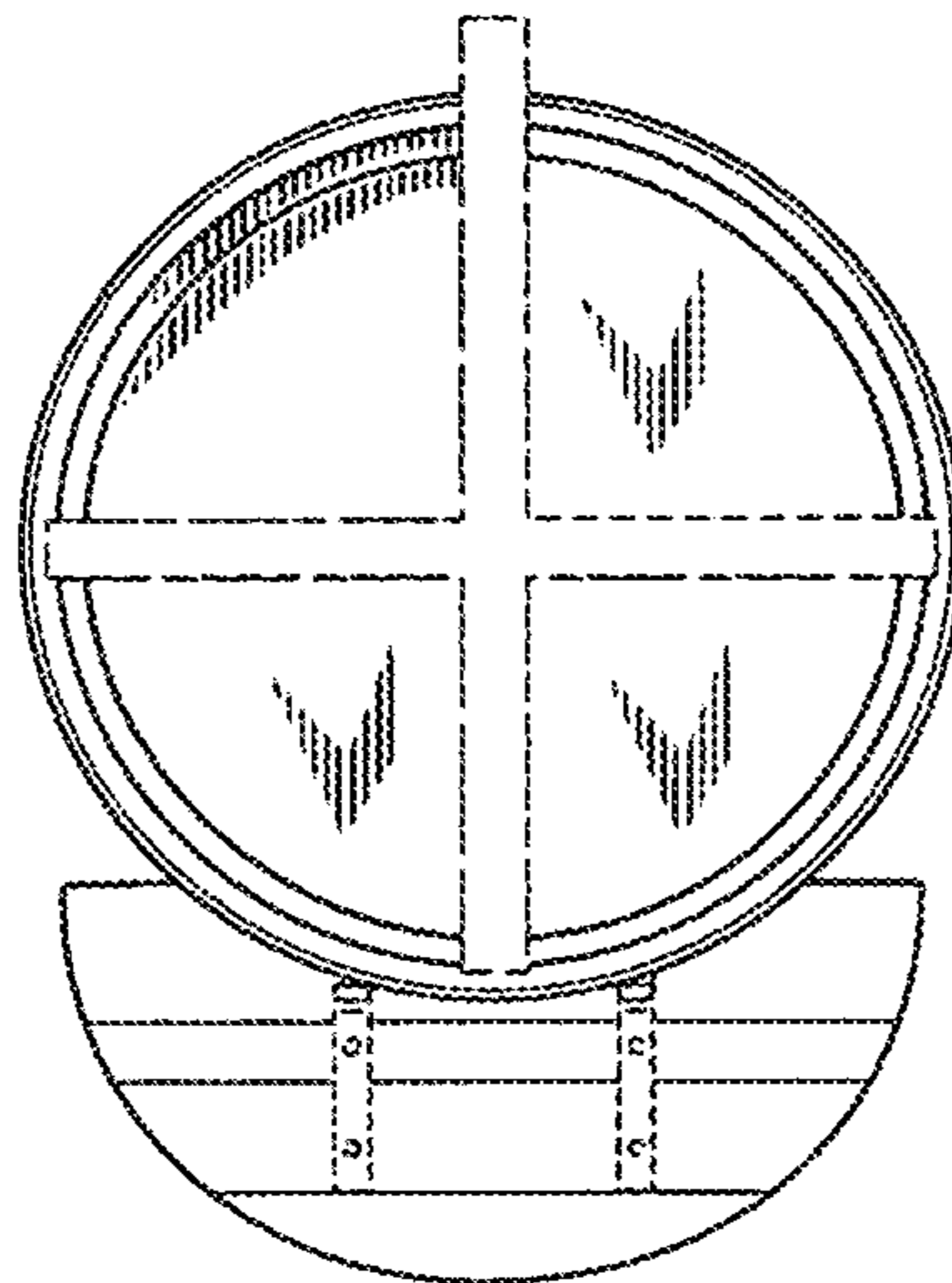


FIG. 7