



US00D872403S

(12) **United States Design Patent**
Harrington et al.

(10) **Patent No.:** **US D872,403 S**
(45) **Date of Patent:** **** Jan. 7, 2020**

- (54) **TRIGGER GRIP**
- (71) Applicant: **Unger Marketing International, LLC**,
Bridgeport, CT (US)
- (72) Inventors: **William Harrington**, Charlestown, RI
(US); **John A. Triunfo, Jr.**, Fairfield,
CT (US); **Robert F. Smith**, Waterbury,
CT (US)
- (73) Assignee: **UNGER MARKETING**
INTERNATIONAL, LLC, Bridgeport,
CT (US)
- (**) Term: **15 Years**
- (21) Appl. No.: **29/574,540**
- (22) Filed: **Aug. 16, 2016**

D31,801 S 11/1899 Gardner
836,115 A 11/1906 Johnson
D43,038 S 9/1912 Gurski
(Continued)

FOREIGN PATENT DOCUMENTS

CN 3544694 7/2006
CN 202060407 A 6/2013
(Continued)

OTHER PUBLICATIONS

Unger mop video, video date Sep. 19, 2017, site visited Jan. 18,
2018, https://www.youtube.com/watch?v=G42VJEfJTrs.*
(Continued)

Primary Examiner — Eric L Goodman
Assistant Examiner — John R Yeh
(74) *Attorney, Agent, or Firm* — Cantor Colburn LLP

Related U.S. Application Data

- (63) Continuation of application No. 15/238,217, filed on
Aug. 16, 2016, and a continuation of application No.
15/238,262, filed on Aug. 16, 2016.
- (51) **LOC (12) Cl.** **07-05**
- (52) **U.S. Cl.**
USPC **D32/45**
- (58) **Field of Classification Search**
USPC D32/40–43, 45–46, 50–52
CPC A46B 11/00; A47L 11/34; A47L 13/22;
A47L 13/24; A47L 13/20; A47L 13/256;
B65D 47/2018; B60K 15/0406; B60K
15/035; B25G 3/36
See application file for complete search history.

(57) **CLAIM**

The ornamental design for a trigger grip, as shown and described.

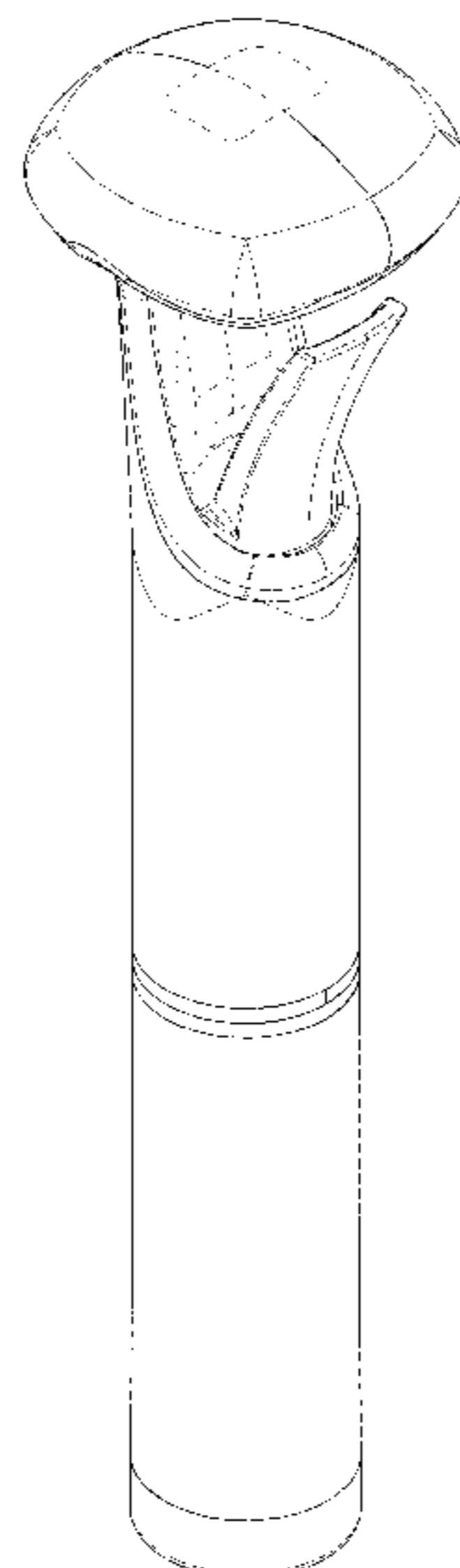
DESCRIPTION

FIG. 1 is a front, top left perspective view of a trigger grip;
FIG. 2 is a front, top right perspective view of the trigger
grip thereof;
FIG. 3 is a front, bottom left perspective view of the trigger
grip thereof;
FIG. 4 is a front, bottom right perspective view of the trigger
grip thereof;
FIG. 5 is a left side view of the trigger grip thereof;
FIG. 6 is a front view of the trigger grip thereof;
FIG. 7 is a right side view of the trigger grip thereof;
FIG. 8 is a top view of the trigger grip thereof; and,
FIG. 9 is a bottom view of the trigger grip thereof.
The broken lines are for the purpose of illustrating structure
that forms no part of the claimed design.

(56) **References Cited**
U.S. PATENT DOCUMENTS

359,605 A 3/1887 Harry
388,934 A 9/1888 Trapp
411,673 A 9/1889 Newman

1 Claim, 6 Drawing Sheets



(56)

References Cited

U.S. PATENT DOCUMENTS		
1,112,906	A	10/1914 Hewett
1,315,194	A	9/1919 Yamamoto
1,426,440	A	8/1922 Zieschang
2,073,170	A	3/1937 Pieper
D114,601	S	5/1939 Hulsh
2,187,671	A	1/1940 Suddarth
2,237,969	A	4/1941 Olsen
2,340,530	A	2/1944 Hefner
2,426,373	A	8/1947 Ogawa et al.
2,518,984	A	8/1950 William
2,575,124	A	11/1951 Pollitt
2,815,522	A *	12/1957 Hexter A47L 13/22 222/505
D186,360	S *	10/1959 Yonkers et al. D32/45
2,923,018	A *	2/1960 Matthay A47L 13/22 15/118
3,039,126	A	6/1962 Kessler
3,238,822	A	3/1966 Zuracki
3,457,016	A	7/1969 Gotberg
3,510,028	A	5/1970 Batistelli
4,088,252	A	5/1978 Grunberger
D262,936	S	2/1982 Nishiyama
4,324,012	A	4/1982 Cannaday
D268,447	S	3/1983 Sudduth
D274,565	S	7/1984 Smith et al.
4,704,758	A	11/1987 Hoffman
4,733,812	A	3/1988 Lewis et al.
4,769,869	A	9/1988 Benitez
4,809,388	A	3/1989 Dietrich
D300,506	S	4/1989 Pedone
4,863,299	A	9/1989 Osberghaus
D306,924	S *	3/1990 Shapton D32/40
D307,657	S	5/1990 Li
D311,254	S	10/1990 Clair
D317,108	S	5/1991 Cochran
D321,422	S	11/1991 Smith
D334,694	S	4/1993 McCoy
5,241,427	A	8/1993 Lin
D339,918	S	10/1993 Chamberlain
D341,234	S	11/1993 Blessing
D341,941	S	12/1993 Stokes
D346,543	S	5/1994 Berti
5,375,286	A	12/1994 Harrah
5,378,922	A	1/1995 Sovero
D359,605	S	6/1995 Harry
5,553,759	A	9/1996 McMaster
5,632,429	A	5/1997 Cantwell
5,671,872	A	9/1997 Daniels, Jr.
D387,208	S *	12/1997 Collett D32/40
D388,934	S	1/1998 Trapp
5,720,071	A	2/1998 Hall
5,771,535	A	6/1998 Blessing
5,791,006	A	8/1998 Anctil
5,823,414	A	10/1998 Gal
D401,703	S	11/1998 Beechuk et al.
D403,447	S	12/1998 Parsons
D404,282	S	1/1999 Hsu
5,888,006	A	3/1999 Ping
D411,673	S *	6/1999 Biggs D32/51
5,920,944	A	7/1999 Biggs
D412,783	S	8/1999 You
5,954,253	A	9/1999 Swetish
5,954,420	A	9/1999 Smith
D416,389	S *	11/1999 Frazier D24/119
D420,561	S *	2/2000 Kunkler D32/52
6,023,924	A	2/2000 Babineau
6,170,112	B1	1/2001 Mayfield
D438,113	S *	2/2001 Wadsworth D9/448
D440,837	S	4/2001 Hart
6,378,922	B1	4/2002 Troutt
D458,427	S	6/2002 Kunkler et al.
D458,721	S *	6/2002 Clarke D32/51
6,397,427	B1	6/2002 Bryngelsson
6,449,803	B1	9/2002 McConchie
6,487,747	B2	12/2002 Cavalheiro
6,497,525	B1	12/2002 Huang
6,540,424	B1	4/2003 Hall
6,550,998	B1	4/2003 Fernschild
6,551,001	B2	4/2003 Aberegg
6,579,023	B2	6/2003 Kunkler
D480,188	S *	9/2003 Blouse D32/50
6,612,768	B2	9/2003 Zorzo
D481,290	S	10/2003 Thompson
D482,829	S *	11/2003 Vosbikian D32/45
6,651,853	B2	11/2003 Higgins
6,655,866	B1	12/2003 Morad
6,659,670	B1	12/2003 Blouse
6,663,306	B2	12/2003 Policicchio
6,669,391	B2	12/2003 Policicchio
D485,954	S	1/2004 Hall et al.
6,695,516	B2	2/2004 DeFields
6,722,806	B2	4/2004 Kunkler
6,726,388	B1	4/2004 Monahan
D490,561	S *	5/2004 Angeletta D28/7
6,799,916	B2	10/2004 Fernschild
6,814,466	B2	11/2004 Parsons et al.
6,854,911	B2	2/2005 Policicchio
6,854,912	B2	2/2005 Dyer
D505,762	S	5/2005 Lalanne
6,889,917	B2	5/2005 Fahy
6,892,915	B2	5/2005 Mares
6,893,180	B2	5/2005 Hall
6,899,485	B2	5/2005 Hall
6,951,430	B2	10/2005 Fernschild
6,953,299	B2	10/2005 Wang
6,955,490	B2	10/2005 Chase
6,960,042	B1	11/2005 Hsiao
6,964,535	B2	11/2005 Bell
D514,267	S *	1/2006 Tsai D32/45
6,981,533	B2	1/2006 Zorzo
6,986,618	B2	1/2006 Hall
6,986,619	B2	1/2006 Hall
7,004,658	B2	2/2006 Hall
7,040,510	B1 *	5/2006 Hester B05B 11/3056 222/174
7,048,458	B2	5/2006 Hall
7,048,804	B2	5/2006 Kisela
7,056,050	B2	6/2006 Sacks
7,121,598	B2	10/2006 Pourtier et al.
7,160,044	B2	1/2007 Dyer
7,163,349	B2	1/2007 Policicchio
D536,850	S	2/2007 Sacks
7,172,099	B2	2/2007 Hofte
7,191,486	B1	3/2007 Michelson
D542,492	S *	5/2007 Chang D32/52
D542,493	S *	5/2007 Berti D32/52
D547,508	S *	7/2007 Thomas D32/35
D547,554	S *	7/2007 Ajluni D32/51
D548,909	S	8/2007 Murray et al.
D552,314	S *	10/2007 Harper D32/40
7,341,389	B2	3/2008 Chase
D568,567	S *	5/2008 Baumkirchner D32/45
D574,741	S	8/2008 Gadsden
7,431,524	B2	10/2008 Sacks
D583,118	S *	12/2008 Snyder D32/51
D586,514	S	2/2009 Perelli
D590,117	S *	4/2009 Crawford D32/45
D592,819	S	5/2009 Crawford
D597,269	S *	7/2009 McNeil D32/45
D602,664	S	10/2009 Crawford
D604,610	S *	11/2009 Ames D9/434
7,618,206	B2	11/2009 Sacks
7,621,686	B2	11/2009 Fernschild
D607,165	S *	12/2009 Libman D32/45
D608,885	S	1/2010 Sneddon et al.
7,653,958	B2 *	2/2010 Rosenzweig A47L 11/34 134/198
D611,668	S	3/2010 Wessel
7,670,073	B2	3/2010 Fernschild
D614,824	S *	4/2010 Heidel D32/52
7,699,551	B2	4/2010 Suda
7,708,485	B2	5/2010 Tanaka
7,722,273	B2	5/2010 Tanaka
D618,411	S *	6/2010 Crawford D32/40

(56)

References Cited

U.S. PATENT DOCUMENTS

D623,071 S * 9/2010 Driskell D9/685
 7,794,165 B2 9/2010 Balz
 D628,352 S * 11/2010 Libman D32/52
 D629,984 S 12/2010 Carlson
 7,850,384 B2 12/2010 Sacks
 D634,497 S * 3/2011 Robertson D32/51
 D636,262 S * 4/2011 Michitsuji D9/448
 D639,661 S 6/2011 Llerena
 7,992,258 B1 * 8/2011 Stitser A45B 3/00
 16/111.1
 D648,466 S 11/2011 Hickman
 8,069,520 B2 12/2011 Mattucci
 8,079,770 B2 12/2011 Widmer
 8,162,194 B2 4/2012 Gleason
 D660,533 S 5/2012 Hill
 D660,667 S 5/2012 Miyazaki
 D661,036 S * 5/2012 Raven D32/45
 8,186,898 B2 5/2012 Bradbury
 D661,442 S 6/2012 Kandasamy
 8,205,293 B2 6/2012 Rosenzweig
 8,241,427 B1 8/2012 Crawford
 8,267,607 B2 9/2012 Harris
 8,375,499 B1 2/2013 Marino
 D680,701 S 4/2013 Carlson
 8,425,137 B1 4/2013 Sampaio
 8,449,212 B2 5/2013 Crawford
 D685,968 S * 7/2013 Smith D32/45
 D694,483 S 11/2013 Hines
 8,596,896 B2 12/2013 Kimura
 D699,412 S * 2/2014 Smith D32/50
 8,641,309 B2 2/2014 Perry
 D700,521 S * 3/2014 Finlay D9/529
 8,662,778 B2 3/2014 Crawford
 8,667,637 B2 3/2014 Vrdoljak
 8,672,203 B2 3/2014 Staudecker
 8,807,858 B2 8/2014 Fitzpatrick
 8,834,053 B2 9/2014 Van LANDINGHAM, Jr.
 8,844,088 B2 9/2014 Castillo
 D718,011 S 11/2014 Lentine
 8,894,315 B2 11/2014 Dingert
 8,927,480 B2 1/2015 Williams
 D722,857 S 2/2015 Huang
 8,973,200 B2 3/2015 Mallett
 9,004,563 B2 4/2015 Buzby
 D731,244 S 6/2015 Kohl
 D731,321 S * 6/2015 Farrell D9/685
 9,044,132 B2 6/2015 Kaminer
 D739,484 S 9/2015 Kaye
 9,131,824 B2 9/2015 Crawford
 D741,655 S 10/2015 Whelan et al.
 D742,609 S * 11/2015 Irwin D32/50
 D746,009 S * 12/2015 Berti D32/51
 D747,054 S 1/2016 Seifts
 D758,878 S * 6/2016 Hoeke D9/682
 D764,129 S 8/2016 Kindler
 9,420,933 B2 8/2016 Kellis
 D770,848 S 11/2016 Wilson et al.
 D775,893 S 1/2017 Buckley et al.
 D784,085 S 4/2017 Langston
 D790,279 S 6/2017 Izen
 D790,342 S * 6/2017 Farrell D9/448
 D792,044 S * 7/2017 Harrington D32/52
 D794,890 S * 8/2017 Hoyle D32/52
 D795,694 S * 8/2017 Yefremow D32/52
 9,743,819 B2 8/2017 Davidshofer
 D796,366 S 9/2017 Talamo
 9,795,268 B2 * 10/2017 Hoyle A47L 13/22
 D806,338 S 12/2017 Metzel et al.
 D835,871 S * 12/2018 Breit D32/50
 D858,020 S * 8/2019 Gooden D32/45
 2002/0144369 A1 * 10/2002 Biggs A47L 13/20
 15/143.1
 2002/0174641 A1 11/2002 Biggs
 2003/0000036 A1 1/2003 Fan
 2003/0052204 A1 3/2003 Aberegg

2003/0089383 A1 5/2003 Biggs
 2003/0103795 A1 6/2003 Hollars et al.
 2003/0126710 A1 7/2003 Policicchio
 2003/0150478 A1 8/2003 Biggs
 2003/0200631 A1 10/2003 Clarke
 2004/0046628 A1 3/2004 Hofte et al.
 2004/0047670 A1 * 3/2004 Martin A47L 13/22
 401/138
 2004/0055099 A1 3/2004 Greenberg
 2004/0071490 A1 4/2004 Vosbikian
 2004/0134016 A1 7/2004 Kisela
 2004/0134955 A1 7/2004 Williams
 2004/0141797 A1 7/2004 Garabedian
 2004/0146333 A1 7/2004 Fu
 2004/0173656 A1 9/2004 Seong
 2004/0178224 A1 9/2004 Fahy et al.
 2004/0223803 A1 11/2004 Fahy
 2005/0050689 A1 3/2005 Biggs
 2005/0089360 A1 4/2005 Garabedian, Jr.
 2005/0095053 A1 5/2005 Harris
 2005/0191116 A1 9/2005 Flanery
 2005/0205634 A1 9/2005 Han
 2005/0251943 A1 11/2005 Van LANDINGHAM
 2005/0274766 A1 12/2005 Cheng
 2006/0008317 A1 * 1/2006 Livingstone A47G 27/0487
 401/279
 2006/0039743 A1 2/2006 Mensink
 2006/0110207 A1 5/2006 Augustinus Hofte
 2006/0151558 A1 7/2006 Higgins
 2006/0200924 A1 9/2006 Hampton
 2006/0207042 A1 9/2006 Di Paolo
 2006/0213017 A1 9/2006 Bele
 2006/0222441 A1 * 10/2006 Tanaka A47L 13/22
 401/139
 2006/0245820 A1 11/2006 Kresse et al.
 2006/0280546 A1 * 12/2006 Dyer A47L 13/22
 401/139
 2007/0020040 A1 * 1/2007 Sacks A46B 11/0065
 401/270
 2007/0140774 A1 6/2007 Dyer
 2007/0231046 A1 10/2007 Whiffen
 2007/0295758 A1 * 12/2007 Foster B05B 11/3011
 222/383.1
 2008/0038045 A1 2/2008 Hofte
 2008/0107471 A1 5/2008 Fitzpatrick
 2010/0116861 A1 5/2010 Burrowes
 2011/0064513 A1 3/2011 Van LANDINGHAM
 2011/0158740 A1 6/2011 Kandasamy
 2011/0247157 A1 10/2011 Caillou
 2011/0309124 A1 12/2011 Dubois
 2012/0227763 A1 9/2012 Hayes
 2012/0255138 A1 * 10/2012 Dingert A47L 13/22
 15/228
 2012/0304408 A1 12/2012 Crawford
 2013/0056467 A1 3/2013 Shepard et al.
 2013/0263398 A1 10/2013 Irwin
 2013/0291893 A1 11/2013 Stokes
 2014/0317868 A1 10/2014 Fitzpatrick
 2015/0082570 A1 3/2015 Davidshofer
 2015/0101140 A1 4/2015 Pierce
 2016/0001442 A1 1/2016 Buzby
 2016/0198925 A1 * 7/2016 Hoyle A47L 13/22
 15/143.1
 2016/0345793 A1 12/2016 Hansen
 2017/0049291 A1 2/2017 Harrington et al.
 2017/0049292 A1 * 2/2017 Harrington A47L 13/22
 2017/0157762 A1 6/2017 Monahan et al.
 2017/0296024 A1 10/2017 Zhu
 2018/0103819 A1 4/2018 Hoyle
 2019/0001480 A1 1/2019 Harrington et al.
 2019/0090715 A1 3/2019 Wildeman et al.

FOREIGN PATENT DOCUMENTS

CN 204158328 U 2/2015
 CN 303214007 5/2015
 CN 105266731 A 1/2016
 EP 1761155 3/2007

(56)

References Cited

FOREIGN PATENT DOCUMENTS

JP	D1400629	A	11/2010
JP	D1524718	A	6/2015
JP	D1545354	*	3/2016
KR	3004899850000		5/2008
KR	300691306.0000	*	5/2013
WO	9823385		6/1998
WO	2006002655		1/2006
WO	D098967005		12/2017
WO	D098967006		12/2017
WO	WO D098967-003	*	12/2017

OTHER PUBLICATIONS

Unger erGO! clean floor cleaning kit, website 2016, <https://www.ungerglobal.com/en/ergo-clean-floor-cleaning-kit-pocketmop>, site visited Jan. 18, 2018.*

Unger erGO! Clean Mopping Kit Pro | BCHS website 2019, <https://www.bunzlchs.com/Janitorial/Flat-Mopping/Other-Flat-Mopping-Systems/Unger-erGO-Clean-Mopping-Kit-Pro~p~018404>, site visited Aug. 27, 2019.*

Unger erGO! clean Floor Cleaning Kit Flat Mop, Unger website 2016, <https://www.ungerglobal.com/en/ergo-clean-floor-cleaning-kit-flat-mop>, site visited Aug. 27, 2019.*

Unger erGO! clean Floor Cleaning Kit Flat Mop, Unger Germany website 2016, <https://www.ungerglobal.com/en/ergo-clean-floor-cleaning-kit-flat-mop>, site visited Aug. 27, 2019.*

Staples download, Excella floor cleaning kit, 2018 article reference, <https://www.quill.com/unger-excella-microfiber-floor-cleaning-kit-18-holder-efkt1/cbs/55135444.html>, site visited Aug. 27, 2019.*

Bell® Pump™ 300 Blue BMX, website 2018, site visited Aug. 29, 2018, <https://www.walmart.com/..=nul&athznid=tic&athieid=v0&athstid=CS020&ATHGUID=4660015-F02e92b6-c338c201a4714605&athena=true>.

Pole Part—Unger—TelepPlus, ABC Window Cleaning website 2018, <https://www.window-cleaning-supply.com/pole-part-unger-teleplus-plus-4-grip/>, site visited Sep. 4, 2018.

AmazonSmile: Spray Mops for Floor Cleaning—New Leader, website 2017, [https://smile.amazon.com/Cleaning-New-Leader-Professional-Degree-Hardwood/dp/B077N . . .](https://smile.amazon.com/Cleaning-New-Leader-Professional-Degree-Hardwood/dp/B077N...) site visited Jan. 5, 2018.

Amazon.com: Unger NCAN ErgoTec OptiLoc Tele-Pole Locking Cone, reviews 2016, [https://www.amazon.com/Unger-NCAN-ErgoTec-OptiLoc-Tele-Pole/dp/B000FJH5SQ/ref . . .](https://www.amazon.com/Unger-NCAN-ErgoTec-OptiLoc-Tele-Pole/dp/B000FJH5SQ/ref...) site visited Jun. 18, 2019.

Telescopic Pole—4-8' H-1920—Uline, website 2019, <https://www.uline.com/Product/Detail/H-1920/Mops-Squeegees-and-Carts/Telescopic-Pole-4-8?keywords=telescopic+pole++4-8%27>, site visited Jun. 18, 2019.

Extended European Search Report for European Application No. 16837701.8; Date of Completion: May 28, 2018; dated Jun. 6, 2018; 6 pages.

* cited by examiner

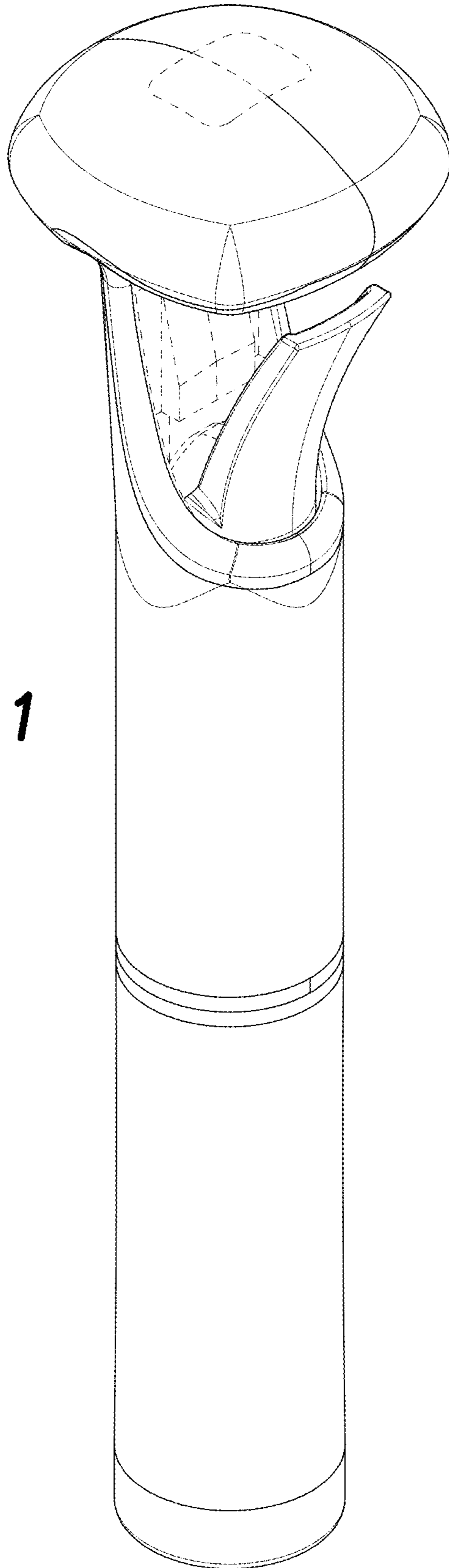


FIG. 1

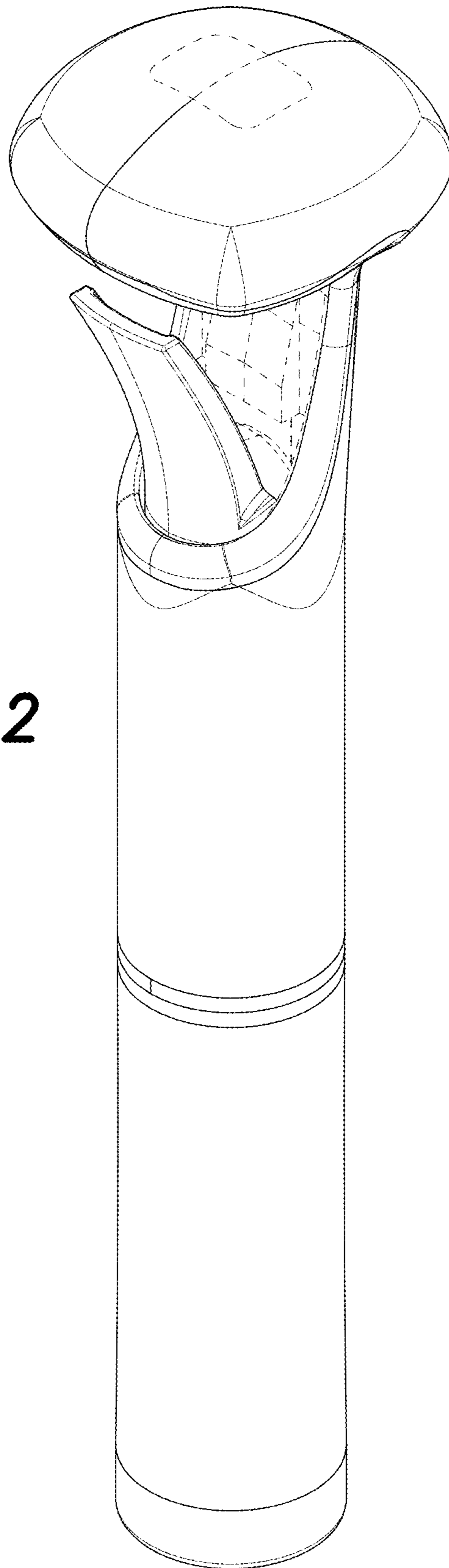


FIG. 2

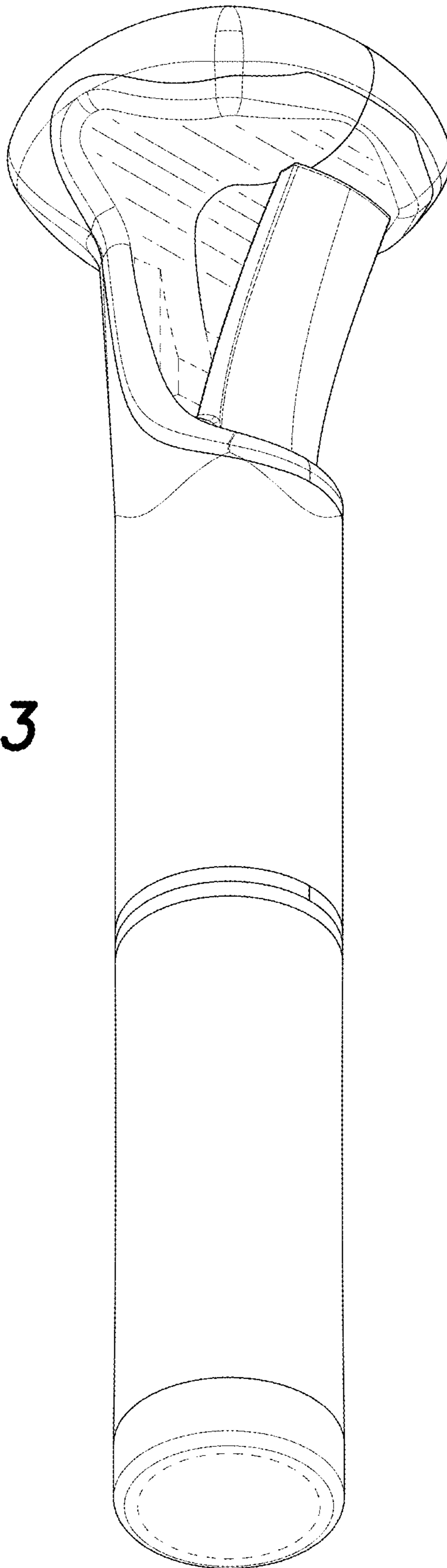


FIG. 3

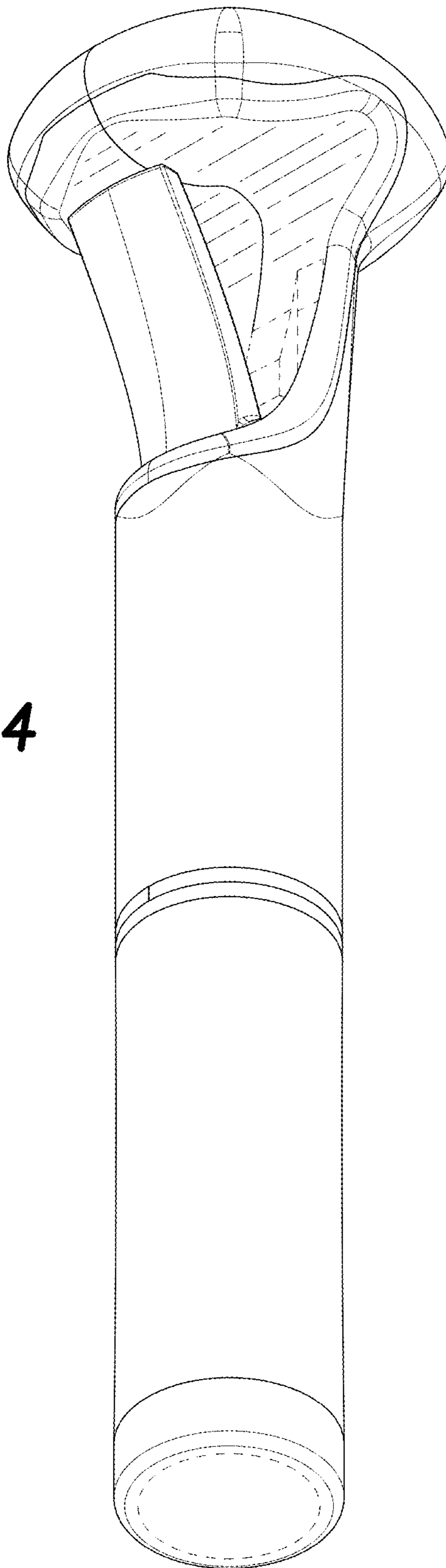


FIG. 4

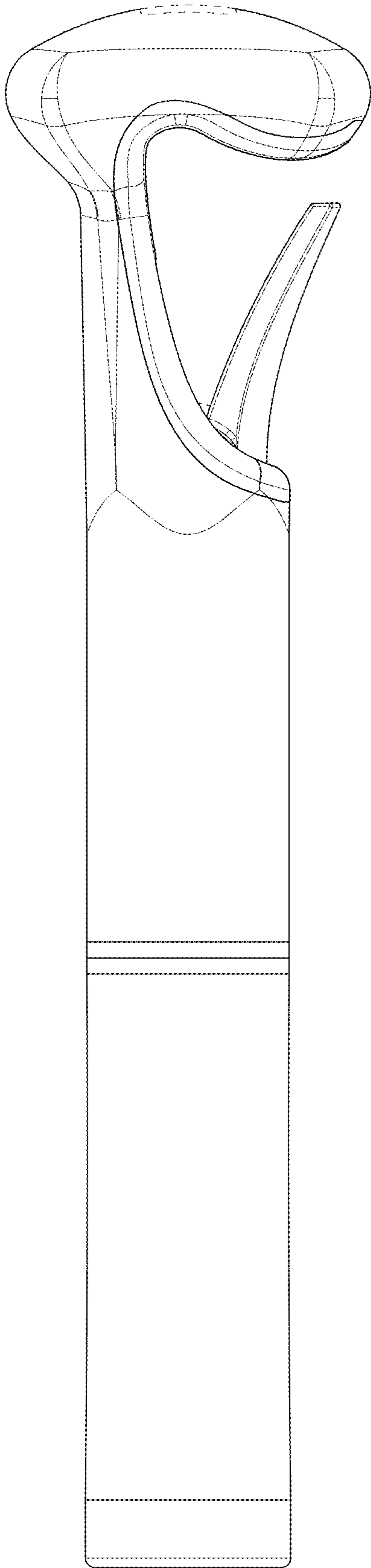


FIG. 5

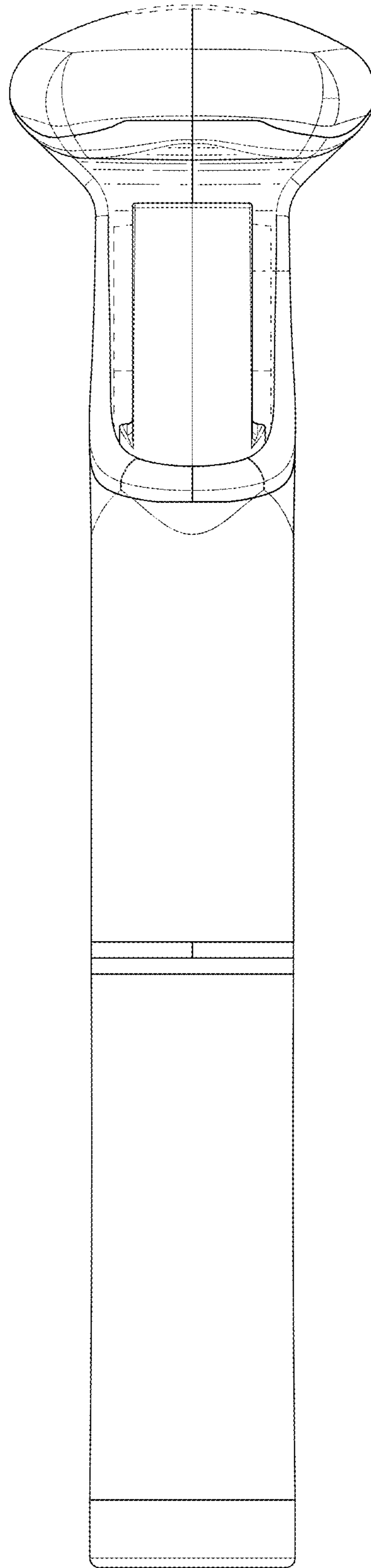


FIG. 6

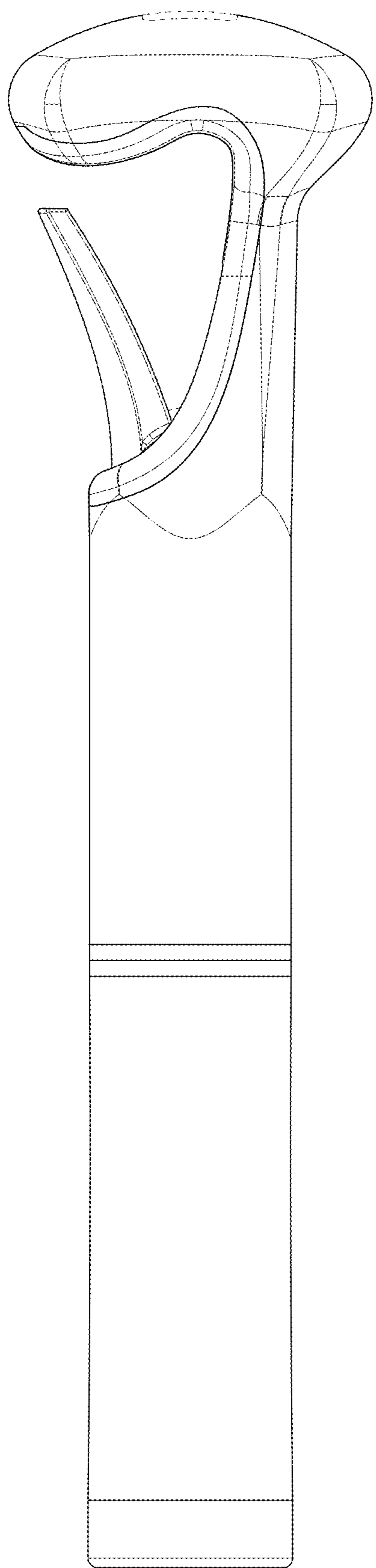


FIG. 7

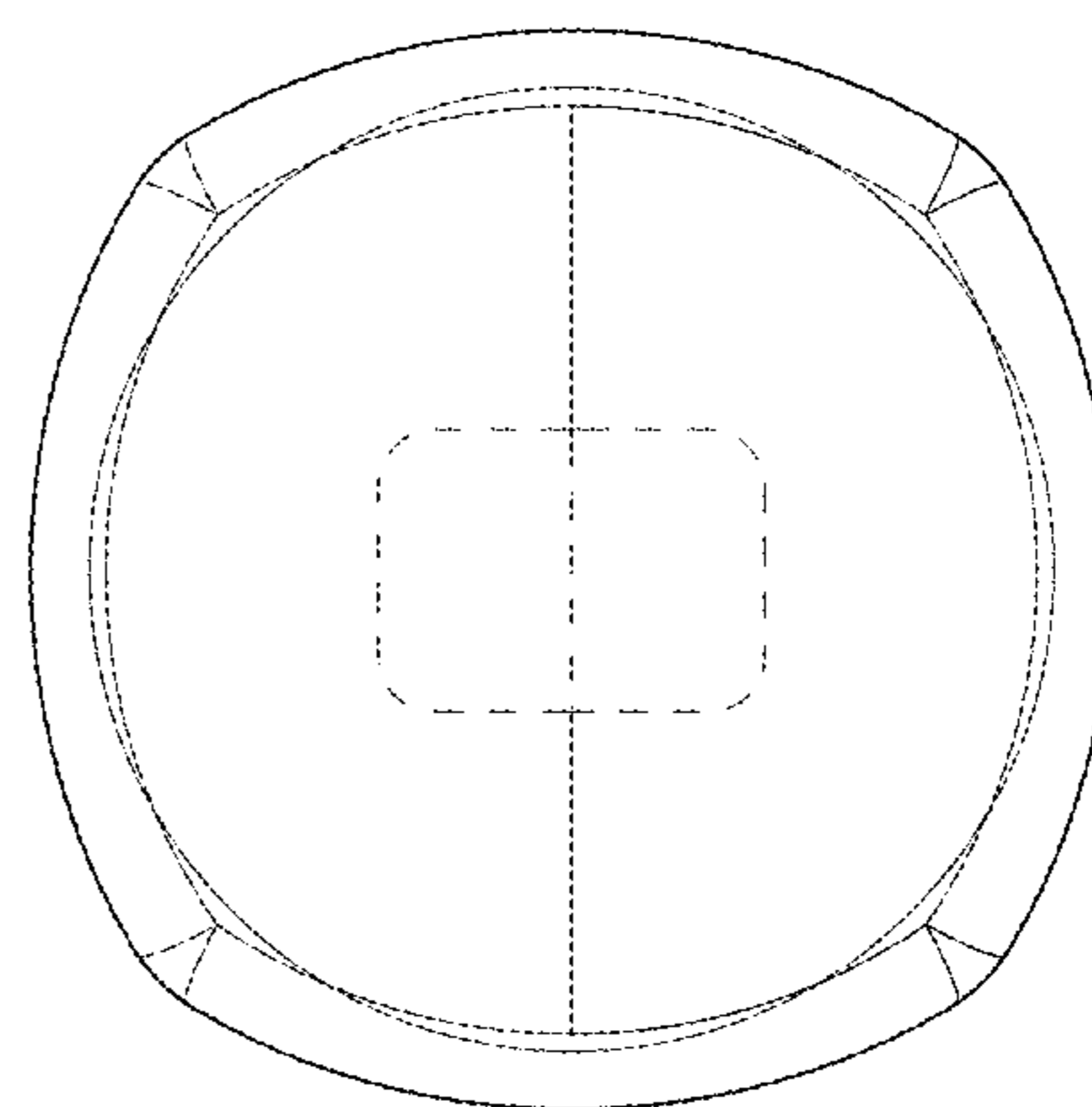


FIG. 8

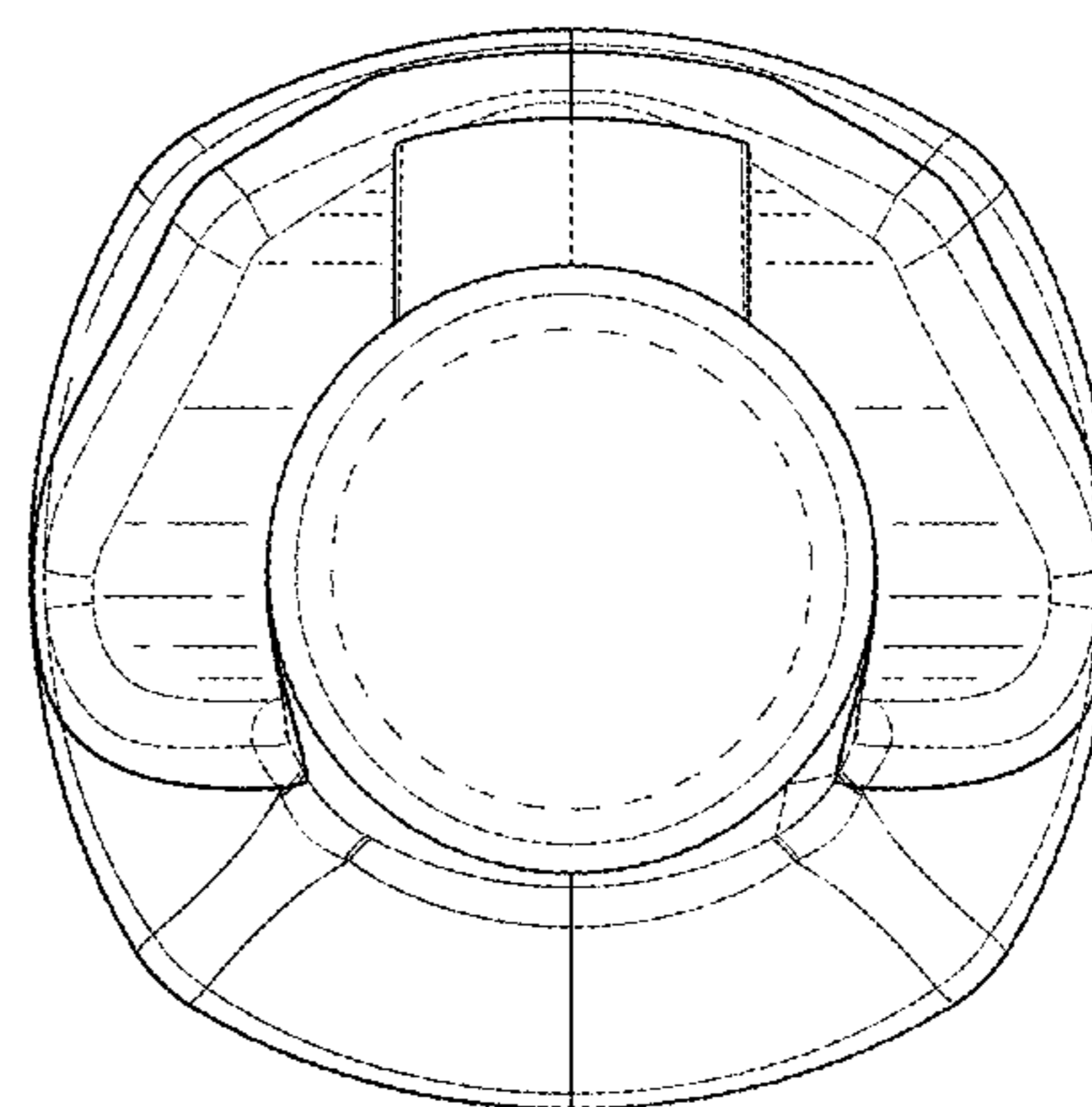


FIG. 9