

US00D872401S

(12) **United States Design Patent**  
**Wang**

(10) **Patent No.:** **US D872,401 S**  
(45) **Date of Patent:** **\*\* Jan. 7, 2020**

(54) **FOLDABLE STORAGE HAMPER**  
(71) Applicant: **Wei-Cheng Wang**, Taipei (TW)  
(72) Inventor: **Wei-Cheng Wang**, Taipei (TW)  
(\*\*) Term: **15 Years**  
(21) Appl. No.: **29/632,908**  
(22) Filed: **Jan. 10, 2018**  
(51) **LOC (12) Cl.** ..... **07-07**  
(52) **U.S. Cl.**  
USPC ..... **D32/37**  
(58) **Field of Classification Search**  
USPC ..... D32/36, 37, 53; D34/5, 6, 11; D7/638;  
D3/201, 304, 305, 306, 307, 308, 309,  
D3/312, 314; D9/420, 423, 501, 503,  
D9/517, 633, 721, 738, 742, 772;  
D6/315, 331, 657, 659, 663, 664, 667,  
D6/675, 677, 683, 686  
CPC ..... A47G 29/00; A47G 29/06; B65F 1/14;  
D06F 95/002  
See application file for complete search history.

D732,778 S \* 6/2015 Taulman ..... D32/37  
D787,767 S \* 5/2017 Wall ..... D32/37  
D807,604 S \* 1/2018 Wang ..... D32/37  
D827,960 S \* 9/2018 Barre ..... D32/37  
D855,916 S \* 8/2019 Li ..... D32/37  
D856,617 S \* 8/2019 Li ..... D32/37

\* cited by examiner

*Primary Examiner* — Michelle E. Wilson  
(74) *Attorney, Agent, or Firm* — Leong C. Lei

(56) **References Cited**  
U.S. PATENT DOCUMENTS

D275,618 S \* 9/1984 Agard ..... D3/295  
D279,038 S \* 5/1985 Thompson, Jr. .... D32/37  
D290,538 S \* 6/1987 Basore ..... D32/37  
D552,351 S \* 10/2007 Bauers ..... D21/721  
D645,625 S \* 9/2011 Pelosi ..... D32/37  
D703,895 S \* 4/2014 Wang ..... D32/37

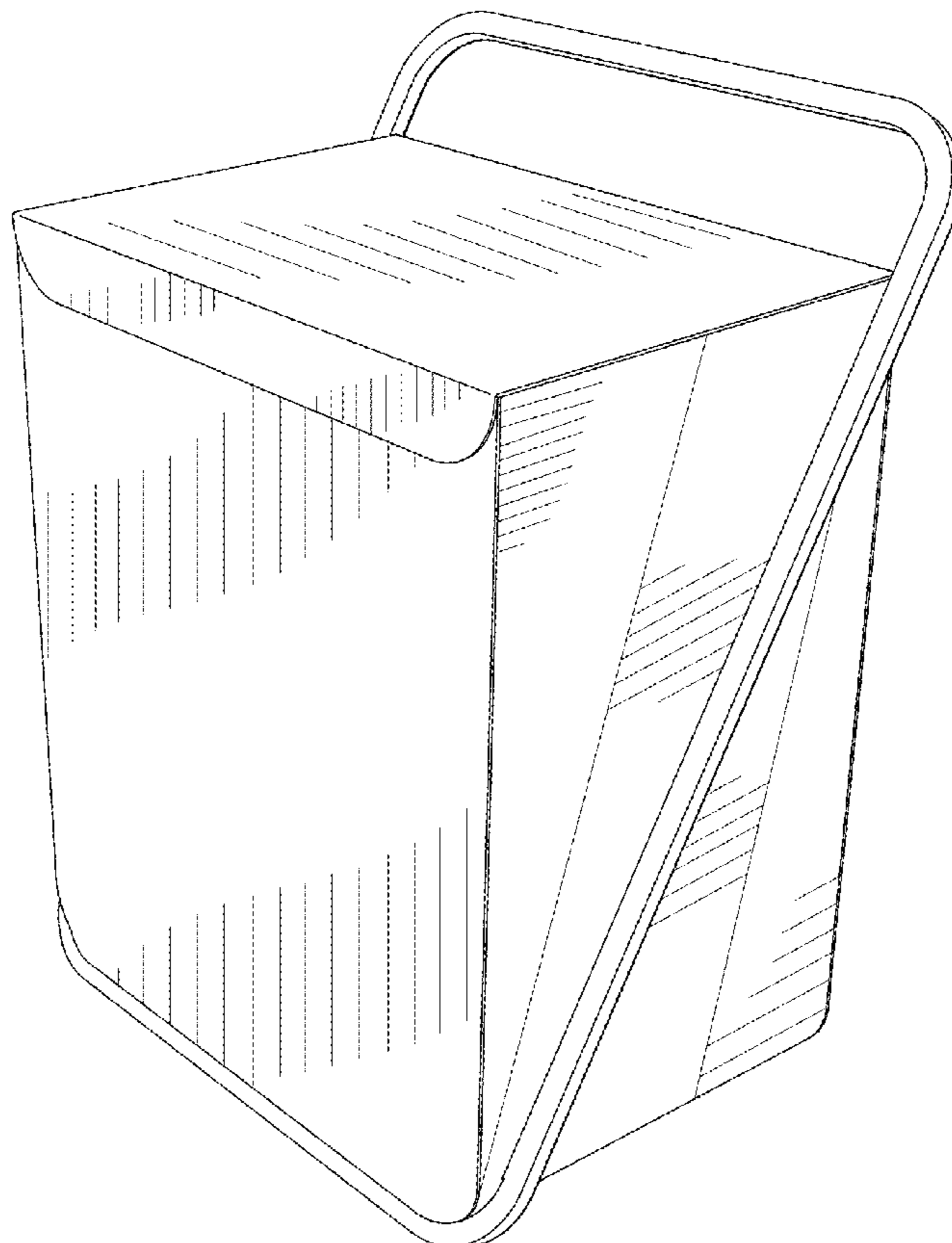
(57) **CLAIM**

The ornamental design for a foldable storage hamper, as shown and described.

**DESCRIPTION**

FIG. 1 is a perspective view of a foldable storage hamper showing my new design;  
FIG. 2 is a front elevational view thereof;  
FIG. 3 is a rear elevational view thereof;  
FIG. 4 is a left side elevational view thereof;  
FIG. 5 is a right side elevational view thereof;  
FIG. 6 is a top plan view thereof;  
FIG. 7 is a bottom plan view thereof; and,  
FIG. 8 is another perspective view thereof, with the lid opened.

**1 Claim, 8 Drawing Sheets**



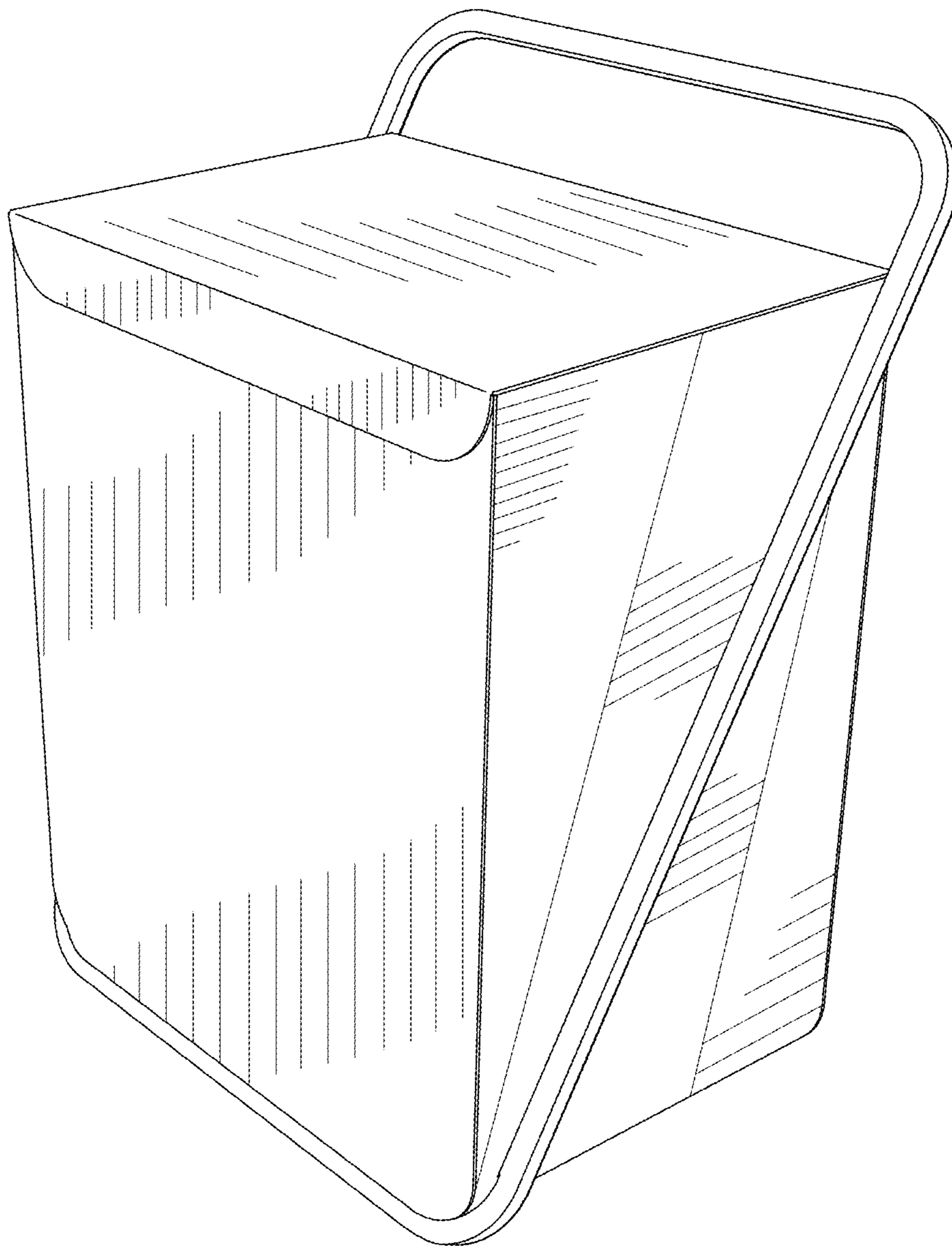


FIG. 1

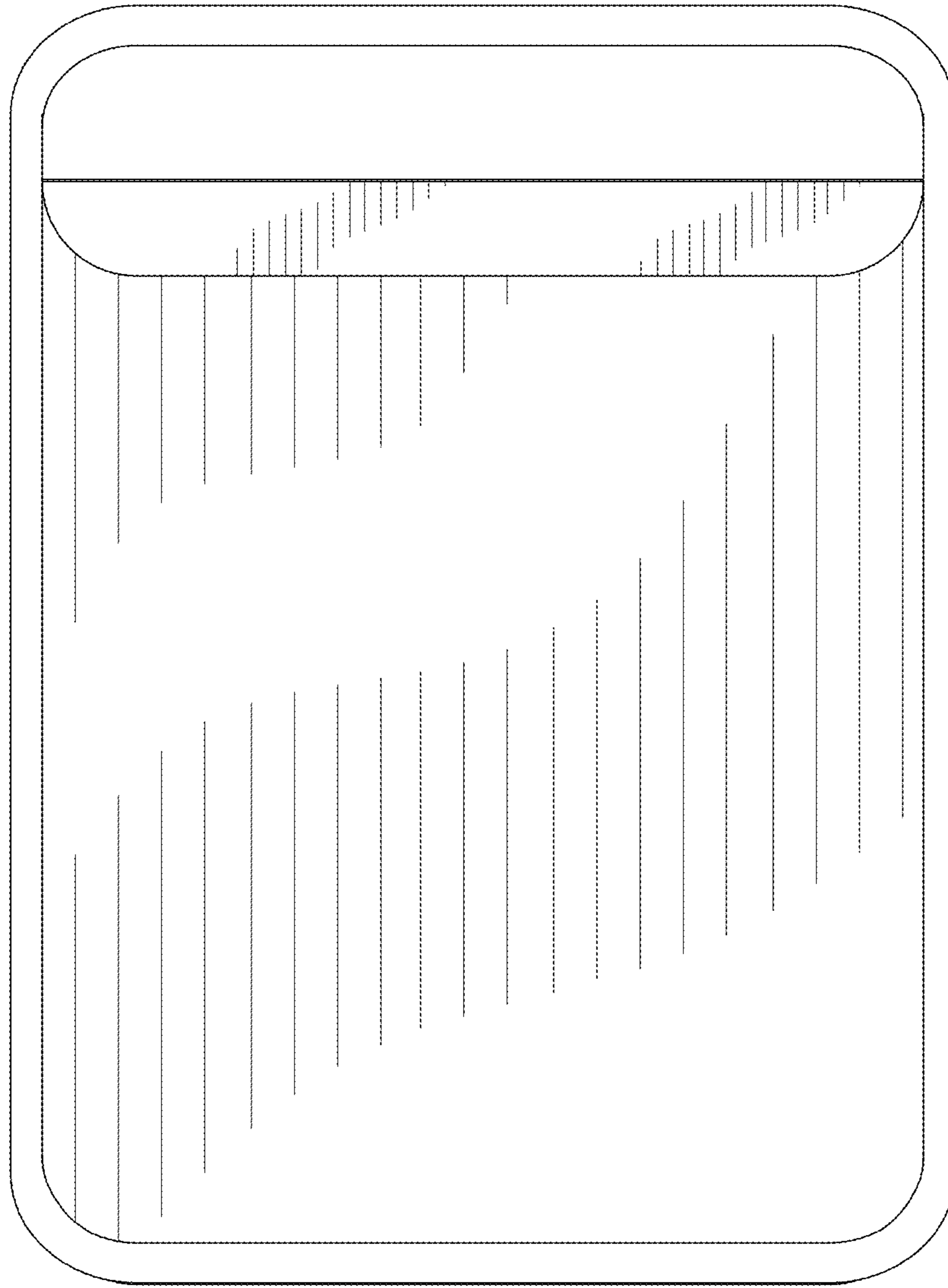


FIG. 2

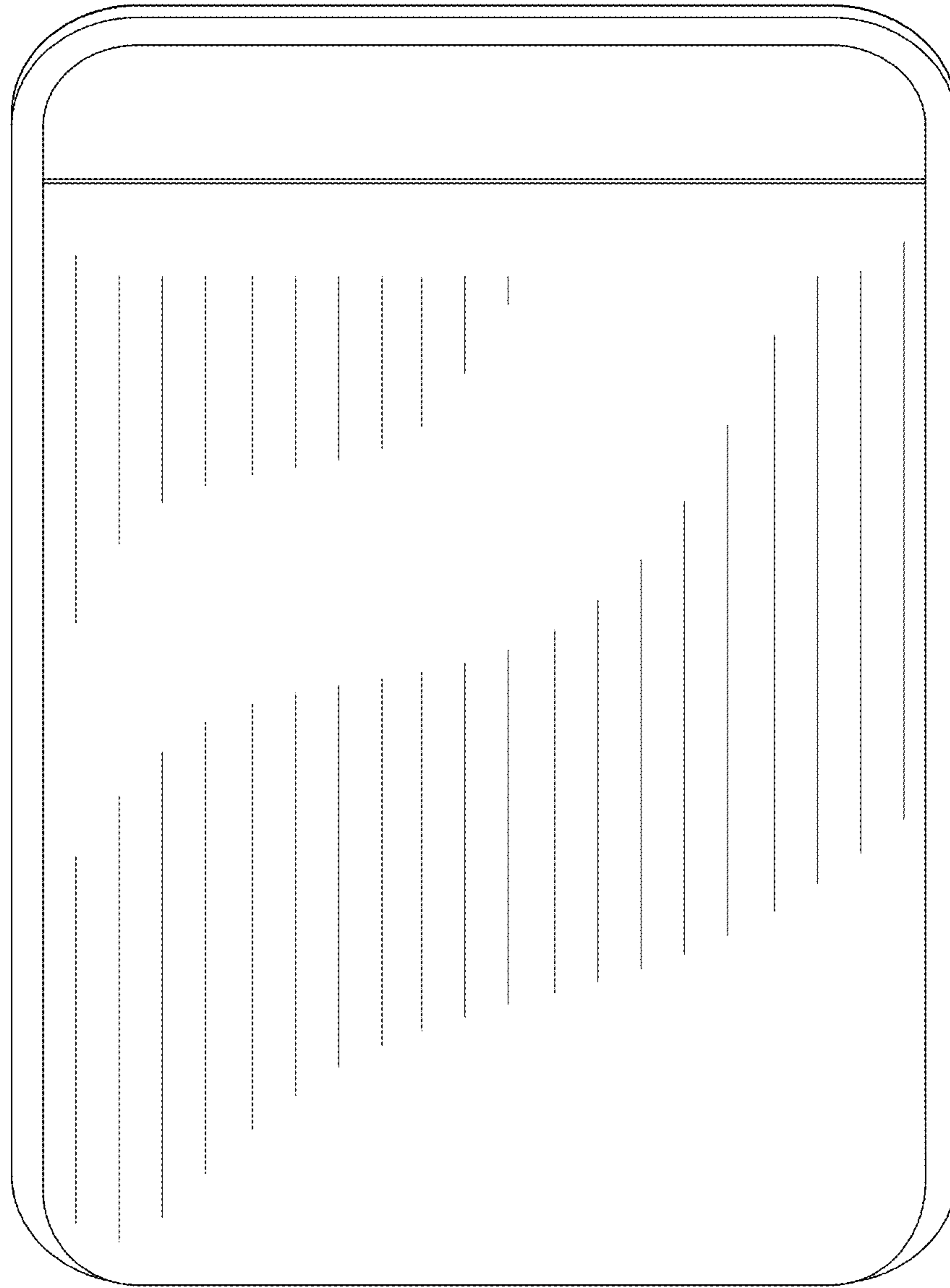


FIG. 3

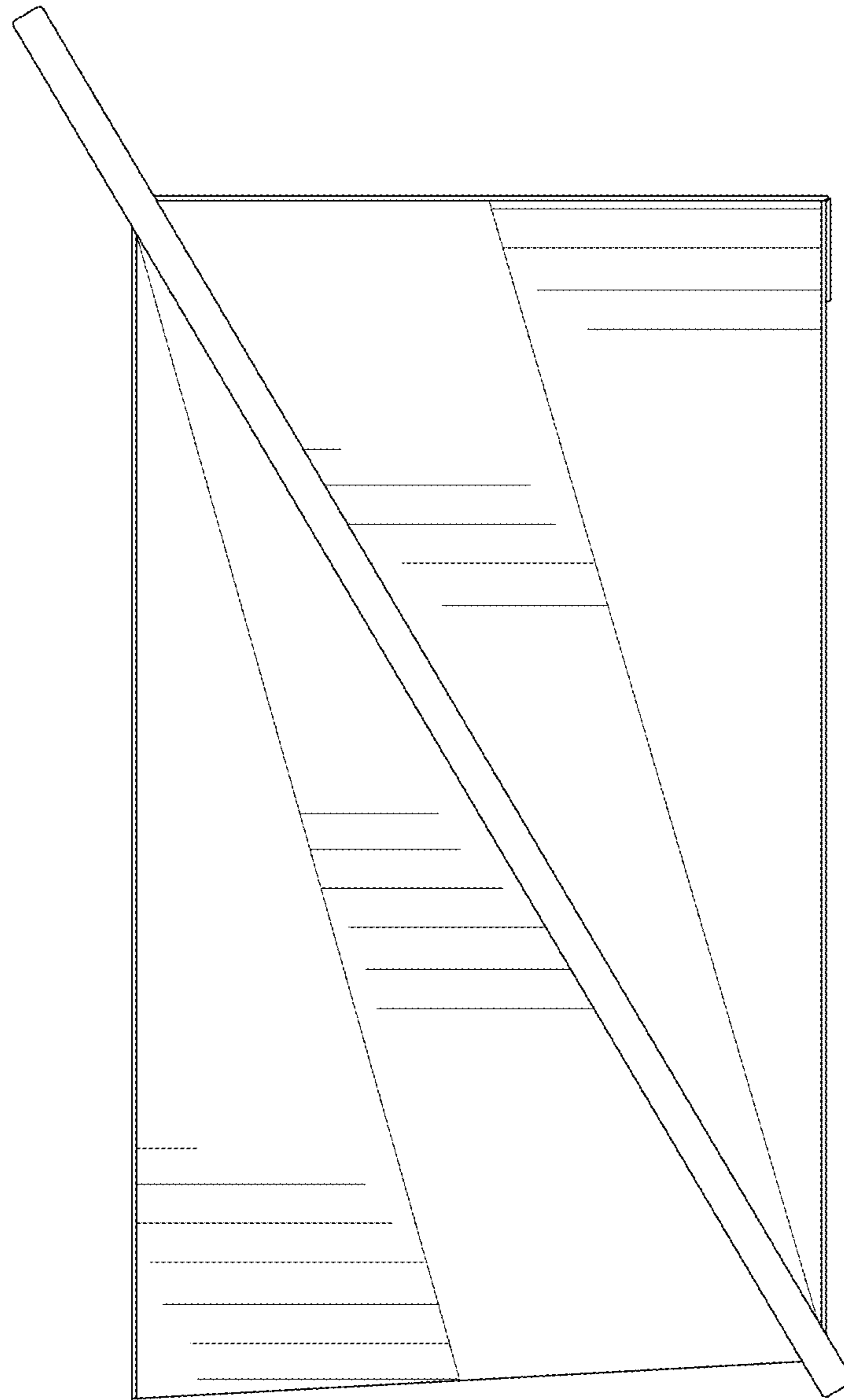


FIG. 4

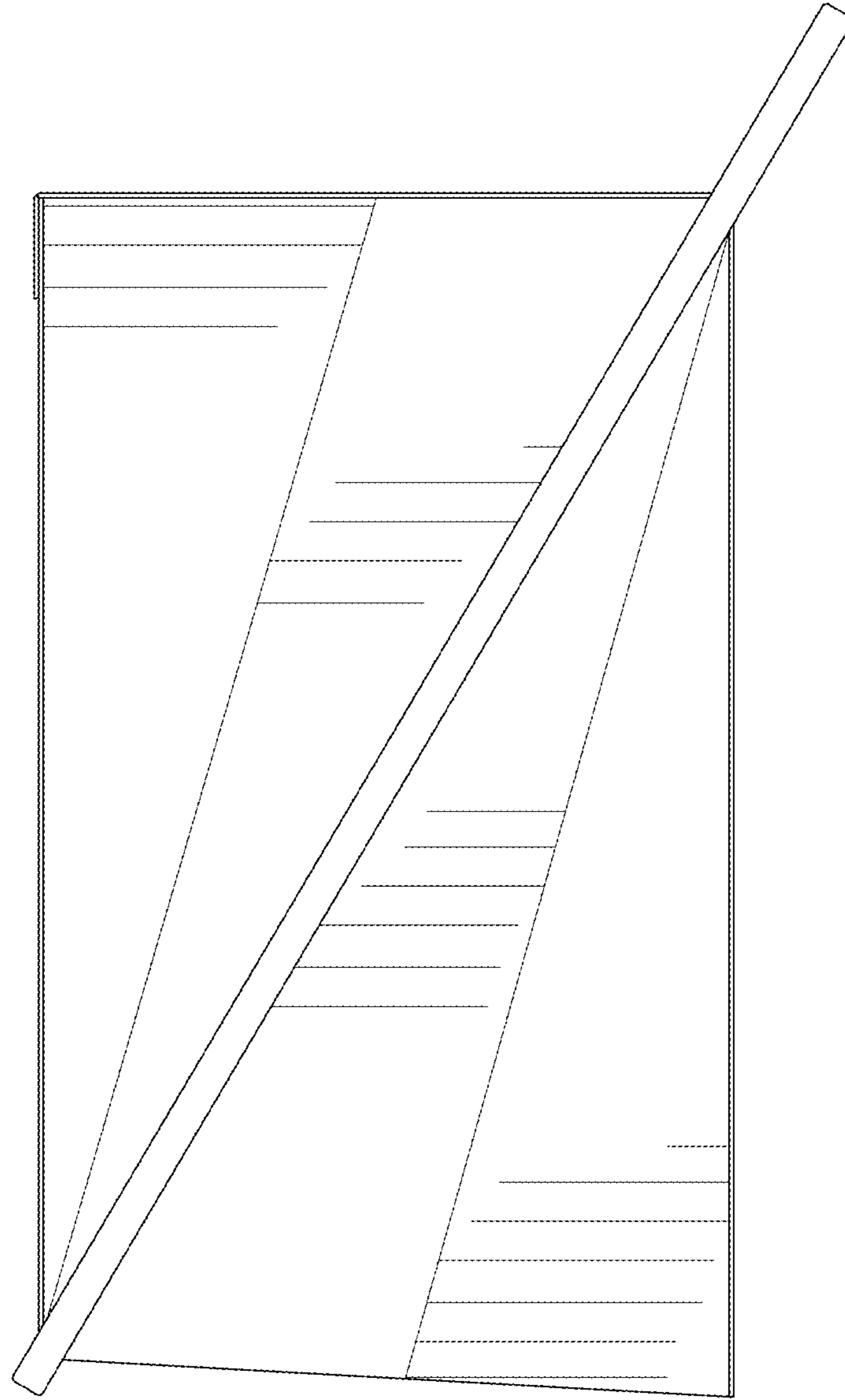


FIG. 5

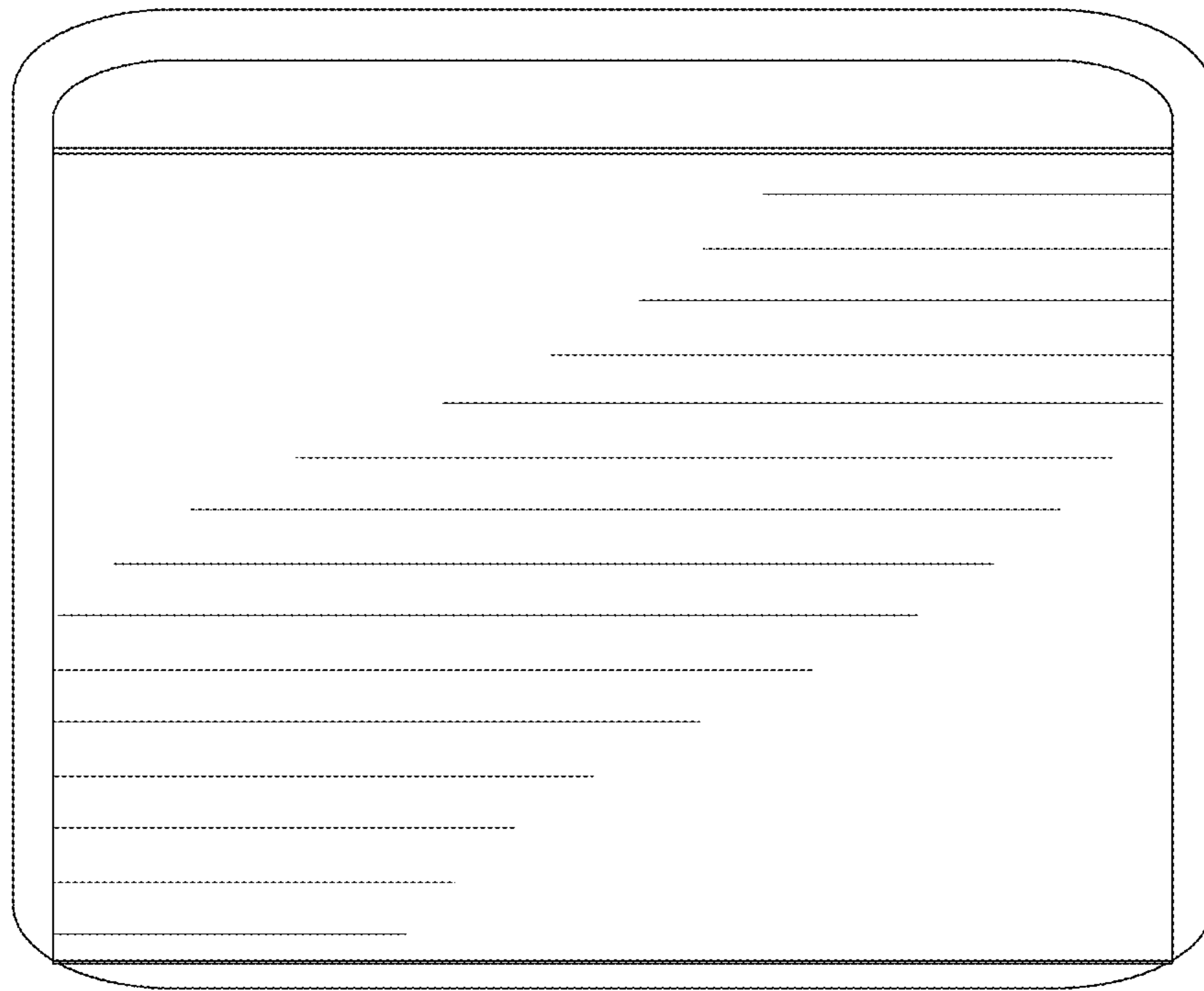


FIG. 6



FIG. 7



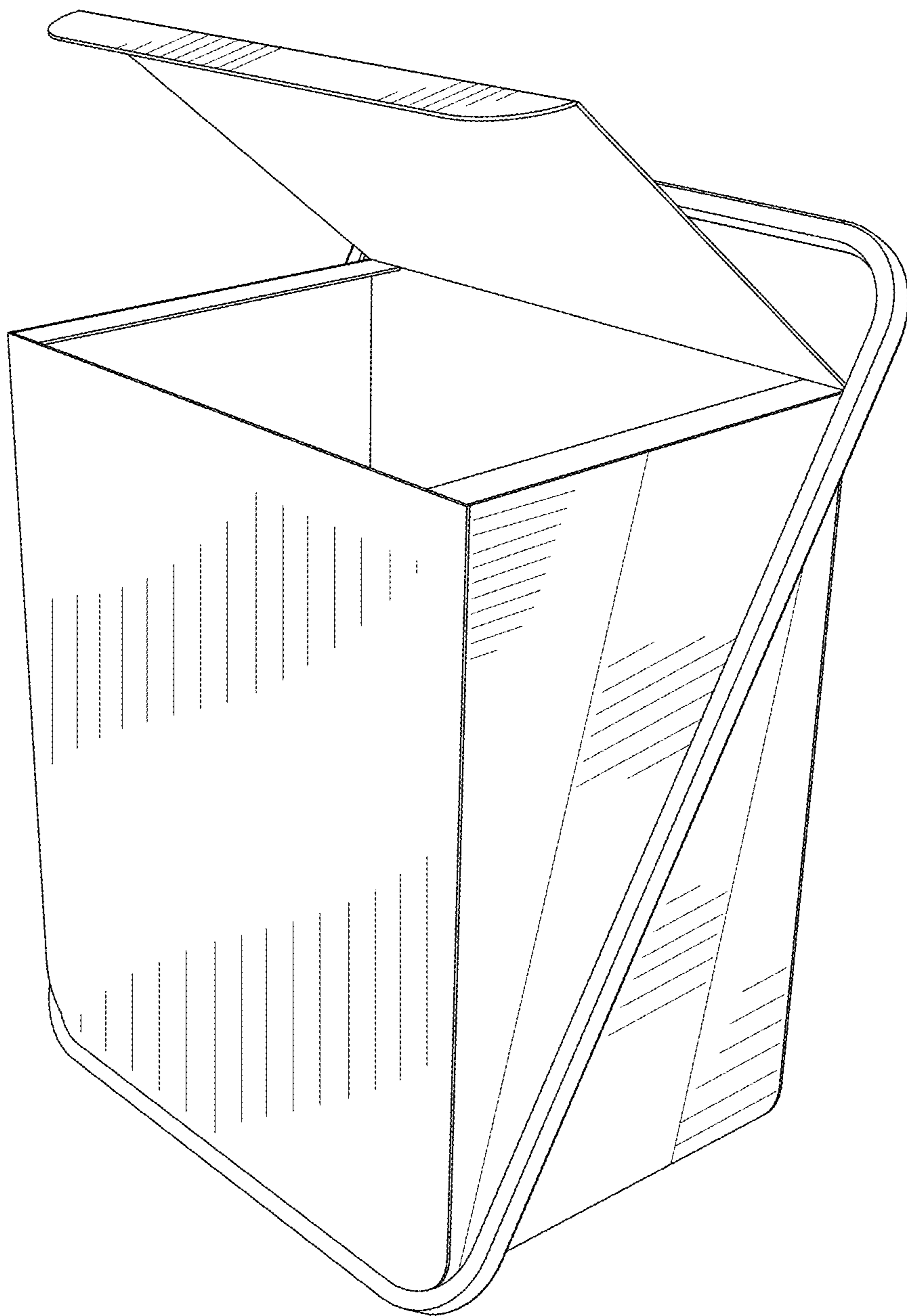


FIG. 8