



US00D872398S

(12) **United States Design Patent**
Yang

(10) **Patent No.:** **US D872,398 S**

(45) **Date of Patent:** **** Jan. 7, 2020**

(54) **TOP PORTION OF A VACUUM CLEANER**

(71) Applicant: **TEK Technology Co. Ltd.**, Suzhou (CN)

(72) Inventor: **Xiangyu Yang**, Chifeng (CN)

(73) Assignee: **TINECO ELECTRICAL APPLIANCES CO, LTD.**, Suzhou (CN)

(**) Term: **15 Years**

(21) Appl. No.: **29/647,893**

(22) Filed: **May 16, 2018**

(30) **Foreign Application Priority Data**

Nov. 16, 2017 (CN) 2017 3 0566606

(51) **LOC (12) Cl.** **15-05**

(52) **U.S. Cl.**
USPC **D32/31**

(58) **Field of Classification Search**
USPC D32/17, 18, 22, 31
CPC ... A47L 5/24; A47L 5/362; A47L 5/36; A47L 5/28; A47L 9/102; A47L 9/1683; B01D 50/002

See application file for complete search history.

(56) **References Cited**

U.S. PATENT DOCUMENTS

D481,844 S *	11/2003	Greene	D32/31
D718,508 S *	11/2014	Svantesson	D32/31
9,027,198 B2 *	5/2015	Conrad	A47L 9/16 15/344
D731,134 S *	6/2015	Dyson	D32/31
D731,720 S *	6/2015	Gidwell	D32/18

D742,083 S *	10/2015	Gidwell	D32/31
D745,231 S *	12/2015	Niedzwecki	D32/18
D747,571 S *	1/2016	Dyson	D32/18
9,661,964 B2 *	5/2017	Conrad	A47L 5/24
D792,665 S *	7/2017	Salagnac	D32/18
D804,753 S *	12/2017	Kim	D32/31
D811,031 S *	2/2018	Palladino	D32/31
D814,723 S *	4/2018	Palladino	D32/31
D818,223 S *	5/2018	Nam	D32/18
D821,044 S *	6/2018	Cao	D32/18
D826,493 S *	8/2018	Nam	D32/18
D827,955 S *	9/2018	Palladino	D32/18
D844,264 S *	3/2019	Irfan	A47L 5/26 D32/18
D844,913 S *	4/2019	Palladino	D32/18
10,264,934 B2 *	4/2019	Conrad	A47L 9/16

* cited by examiner

Primary Examiner — Ruth McInroy

(74) *Attorney, Agent, or Firm* — Procopio, Cory, Hargreaves & Savitch LLP

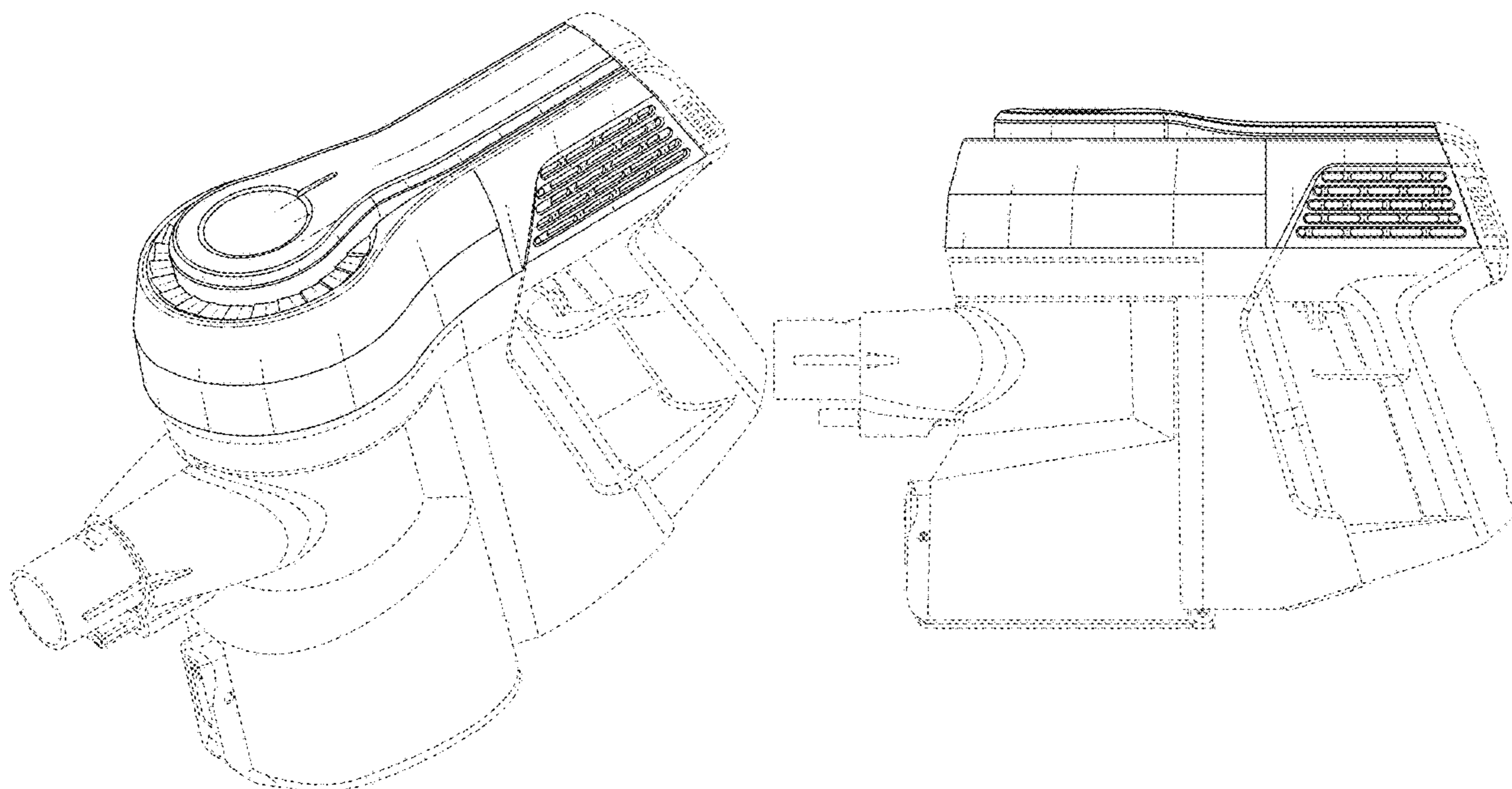
(57) **CLAIM**

I claim the ornamental design for a top portion of a vacuum cleaner, as shown and described.

DESCRIPTION

FIG. 1 is a front perspective view of a top portion of a vacuum cleaner showing my new design; FIG. 2 is a left side view thereof; FIG. 3 is a right side view thereof; FIG. 4 is a front view thereof; FIG. 5 is a rear view thereof; FIG. 6 is a top view thereof; and, FIG. 7 is a bottom view thereof. The details shown in broken lines form no part of the claimed design.

1 Claim, 4 Drawing Sheets



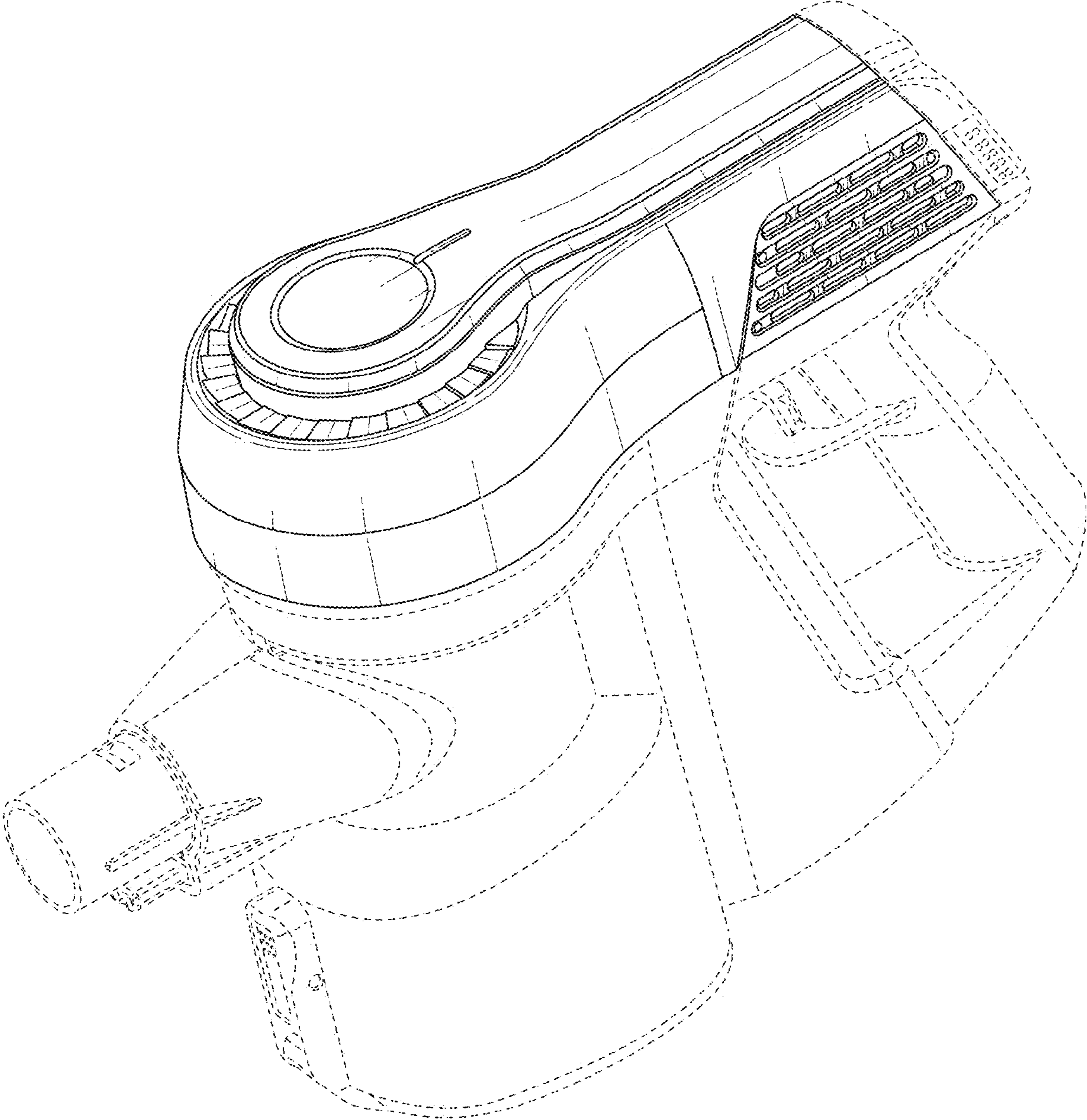


FIG. 1

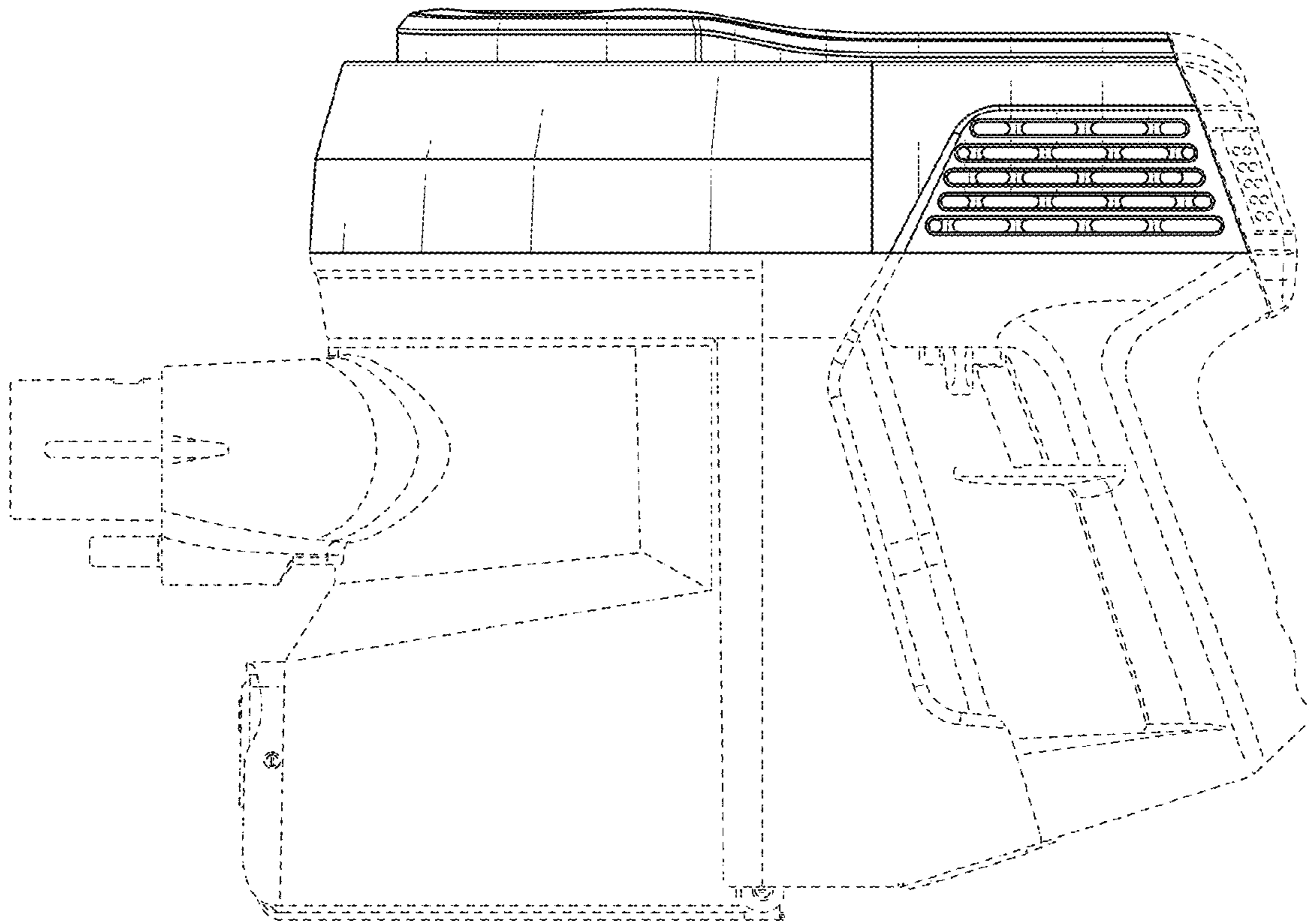


FIG. 2

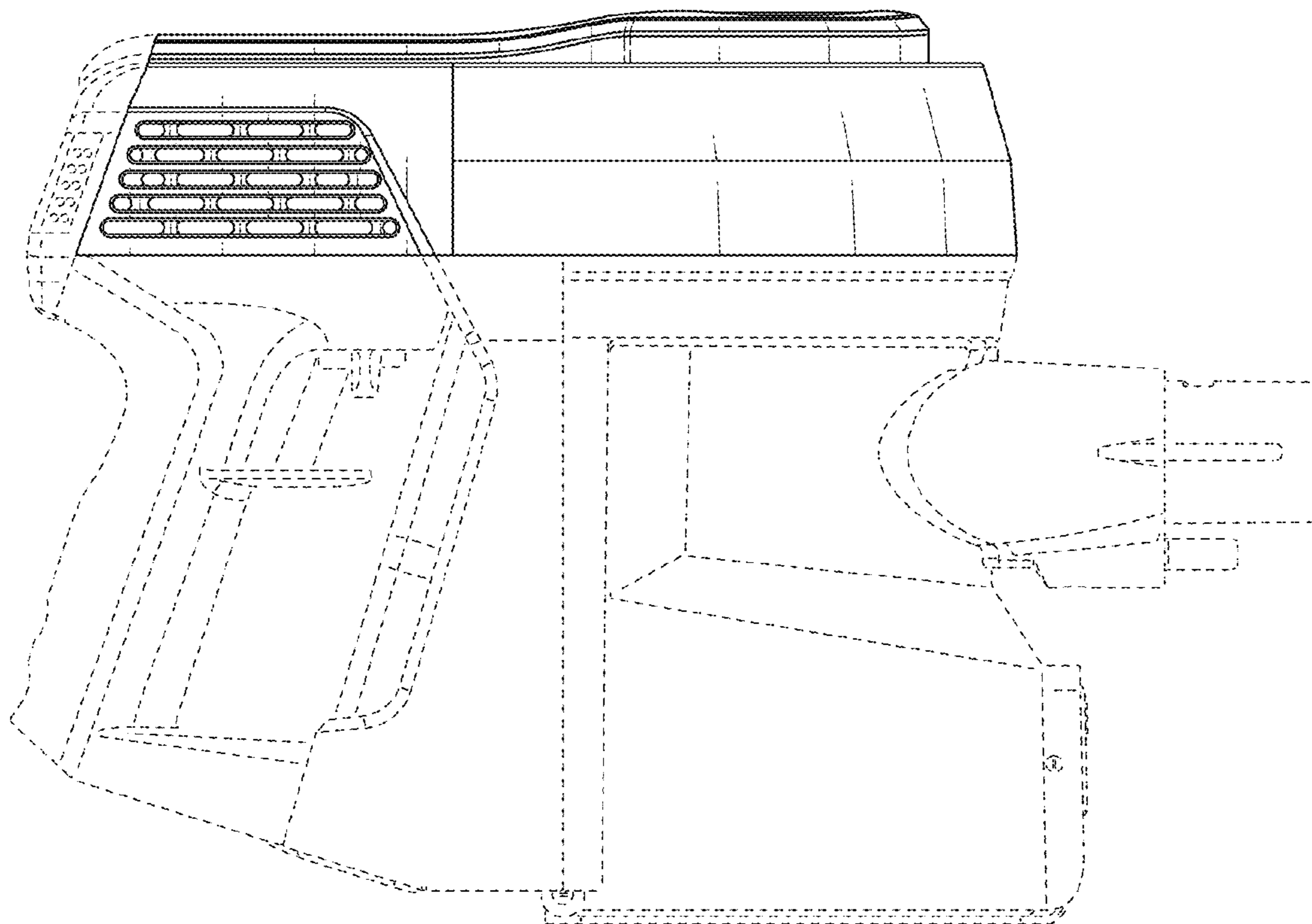


FIG. 3

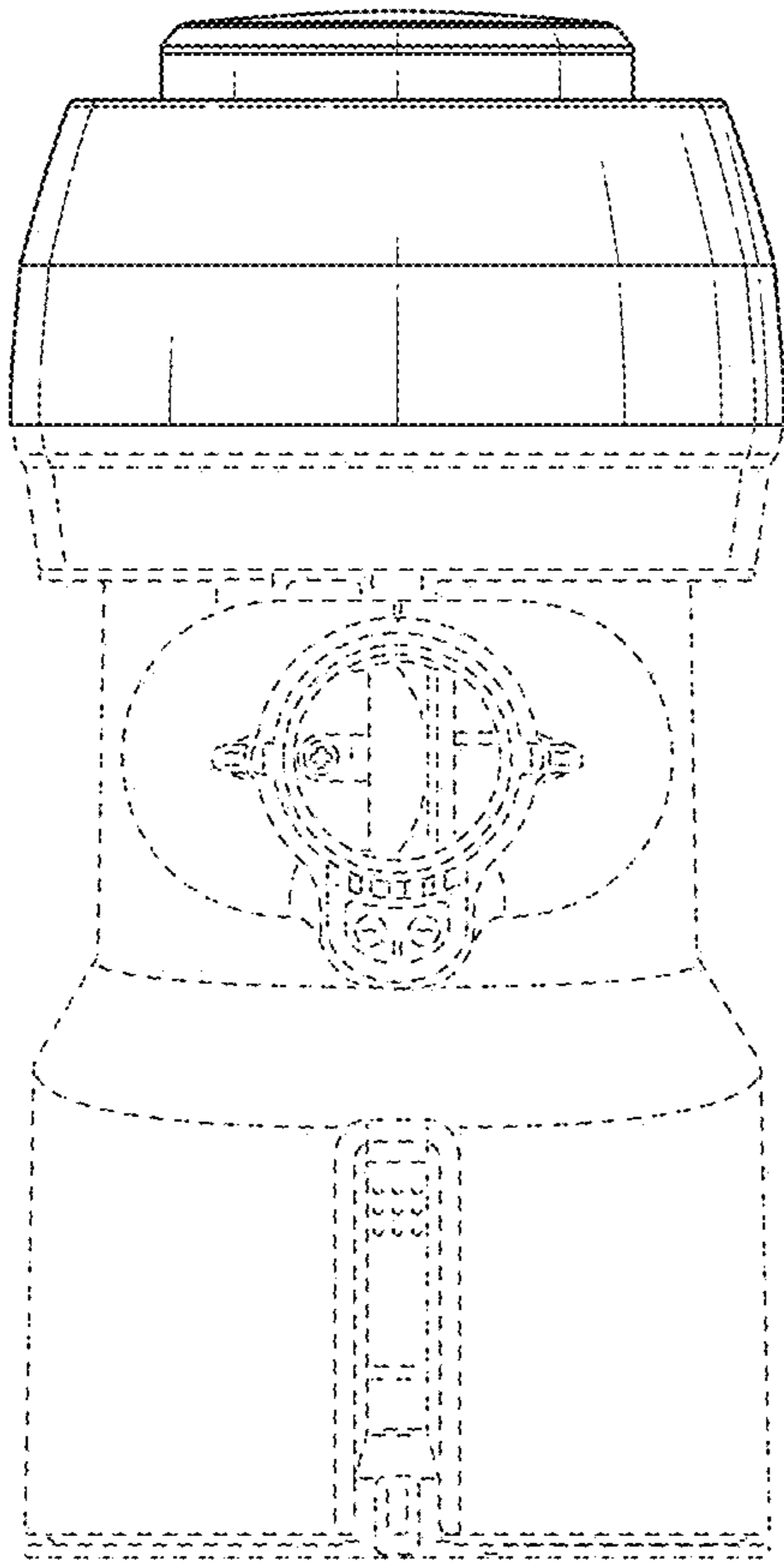


FIG. 4

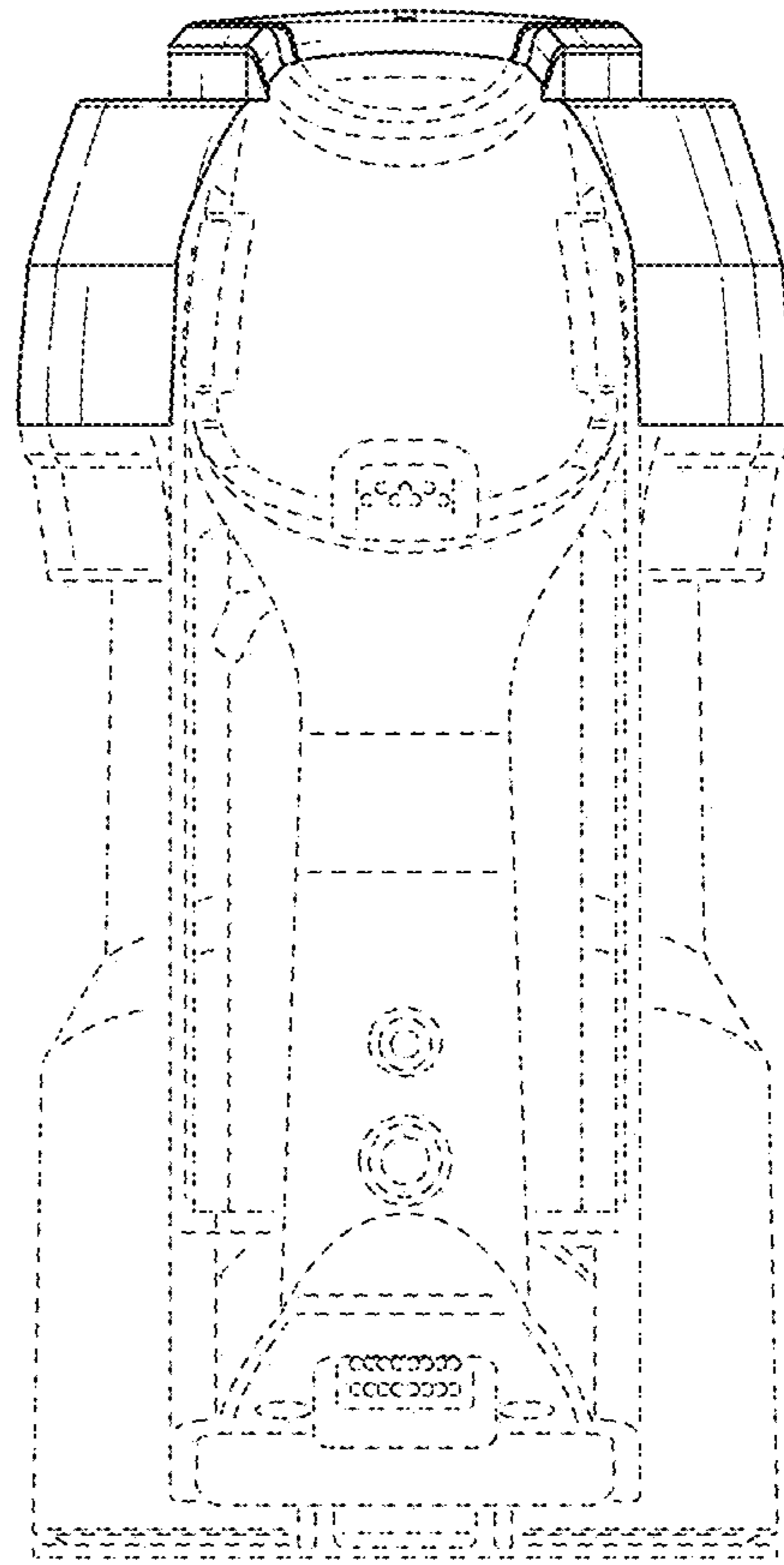


FIG. 5

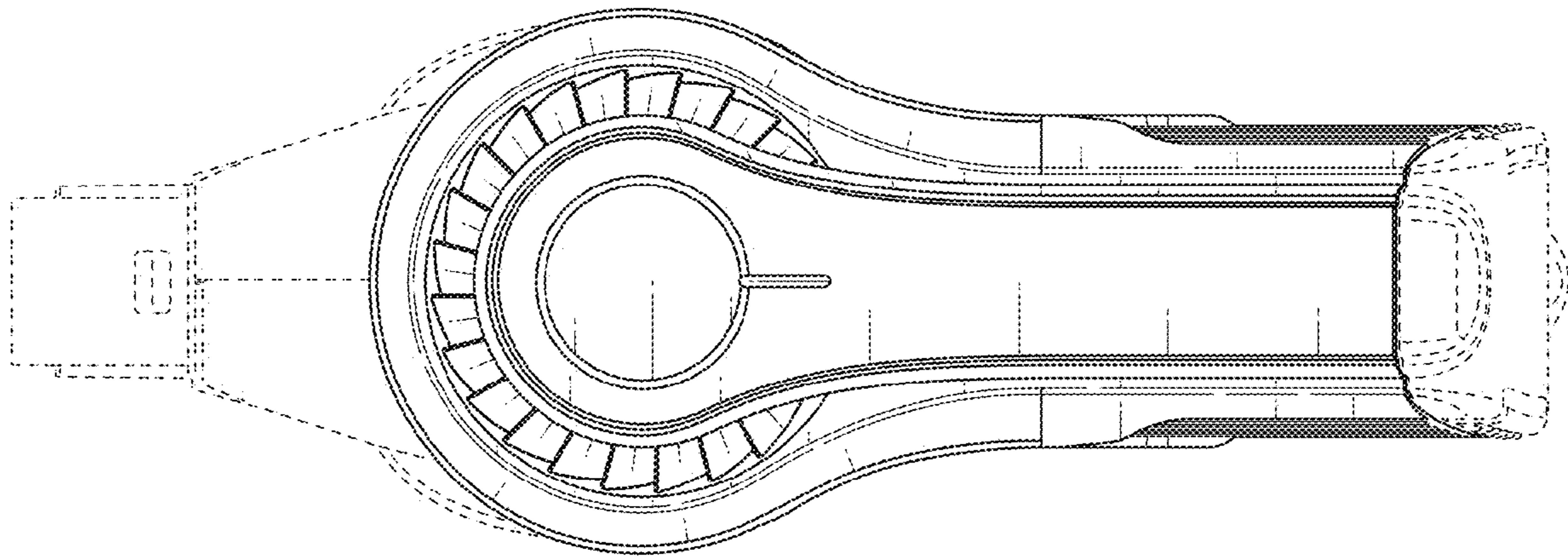


FIG. 6

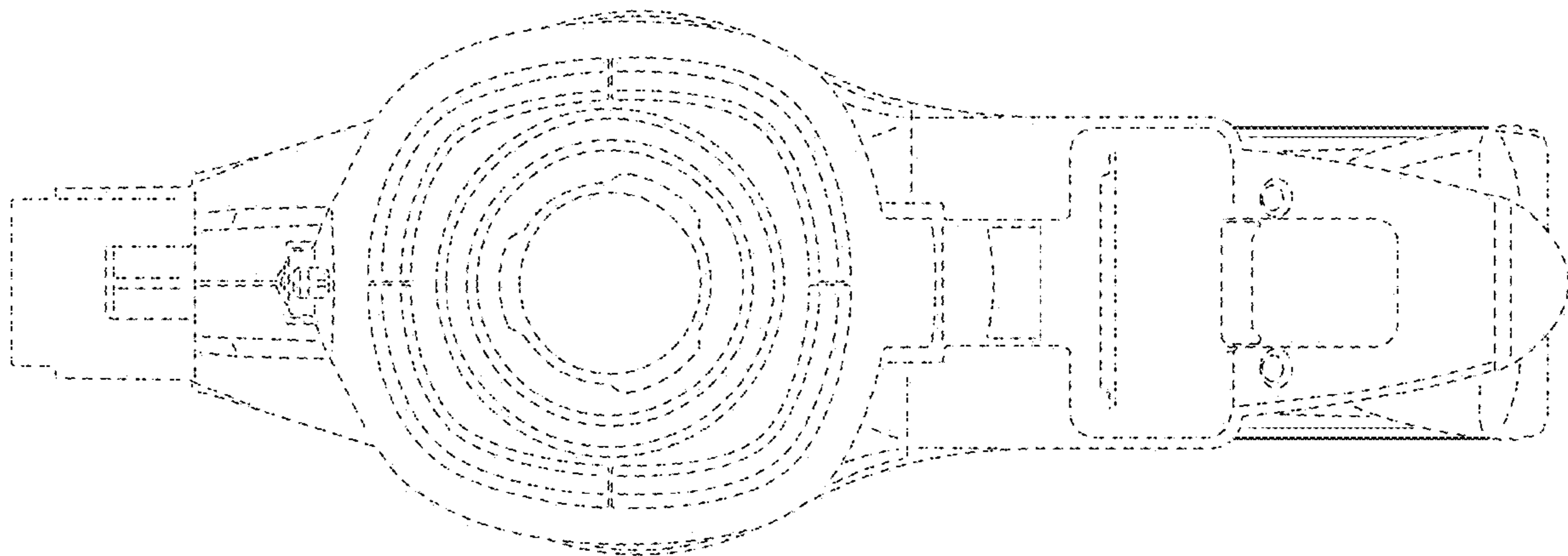


FIG. 7