



US00D872396S

(12) **United States Design Patent**
Miyawaki et al.

(10) **Patent No.:** **US D872,396 S**
(45) **Date of Patent:** **** Jan. 7, 2020**

(54) **VACUUM CLEANER**

D796,756 S * 9/2017 Niedzwecki D32/22
D804,117 S * 11/2017 Kim D32/22
D837,469 S * 1/2019 Johnson D32/22

(71) Applicant: **IRIS OHYAMA INC.**, Sendai-shi,
Miyagi (JP)

FOREIGN PATENT DOCUMENTS

(72) Inventors: **Masayuki Miyawaki**, Kakuda (JP);
Shohei Tokoi, Kakuda (JP); **Takuya**
Abe, Kakuda (JP)

JP 1125458 S 11/2001
JP 1488410 1/2014
JP 1593248 12/2017

(73) Assignee: **IRIS OHYAMA INC.**, Sendai-shi (JP)

OTHER PUBLICATIONS

(**) Term: **15 Years**

Dinos Inc.; posted on website; 900-4856-01;(Japan Patent Office Design Patent Department, publicly known reference No. HJ18013098); total 5 pages; with partial English translation.
An Office Action; "Notice of Allowance," issued by the Japanese Patent Office dated Jan. 8, 2019, which corresponds to Japanese Design Application No. 2018-007997 and is related to U.S. Appl. No. 29/666,170; with English language concise explanation.

(21) Appl. No.: **29/666,170**

(22) Filed: **Oct. 10, 2018**

(30) **Foreign Application Priority Data**

Apr. 11, 2018 (JP) 2018-007997

(51) **LOC (12) Cl.** **15-05**

(52) **U.S. Cl.**
USPC **D32/22**

(58) **Field of Classification Search**
USPC D32/22, 31, 17
CPC A47L 11/20; A47L 11/34; A47L 11/40;
A47L 11/4016; A47L 5/28; A47L 5/24;
A47L 7/02

See application file for complete search history.

(56) **References Cited**

U.S. PATENT DOCUMENTS

D468,498 S * 1/2003 Santiago D32/31
D615,717 S * 5/2010 Butts D32/22
D643,980 S * 8/2011 Kim D32/22
D646,856 S * 10/2011 Breit D32/22
D646,857 S * 10/2011 Spencer D32/22
D677,844 S * 3/2013 Nicora D32/22
D743,124 S * 11/2015 Gray D32/22
9,439,548 B2 * 9/2016 Jenson A47L 9/0477
9,681,788 B2 * 6/2017 Fan A47L 9/181

* cited by examiner

Primary Examiner — Ruth McInroy

(74) *Attorney, Agent, or Firm* — Studebaker & Brackett
PC

(57) **CLAIM**

The ornamental design for a vacuum cleaner, as shown and described.

DESCRIPTION

FIG. 1 is a front, top and right-side perspective view of a vacuum cleaner showing our new design;
FIG. 2 is a front view thereof;
FIG. 3 is a rear view thereof;
FIG. 4 is a top view thereof;
FIG. 5 is a bottom view thereof;
FIG. 6 is a right-side view thereof; and,
FIG. 7 is a left-side view thereof.
The broken lines shown represent unclaimed subject matter of the vacuum cleaner and form no part of the claimed design.

1 Claim, 7 Drawing Sheets

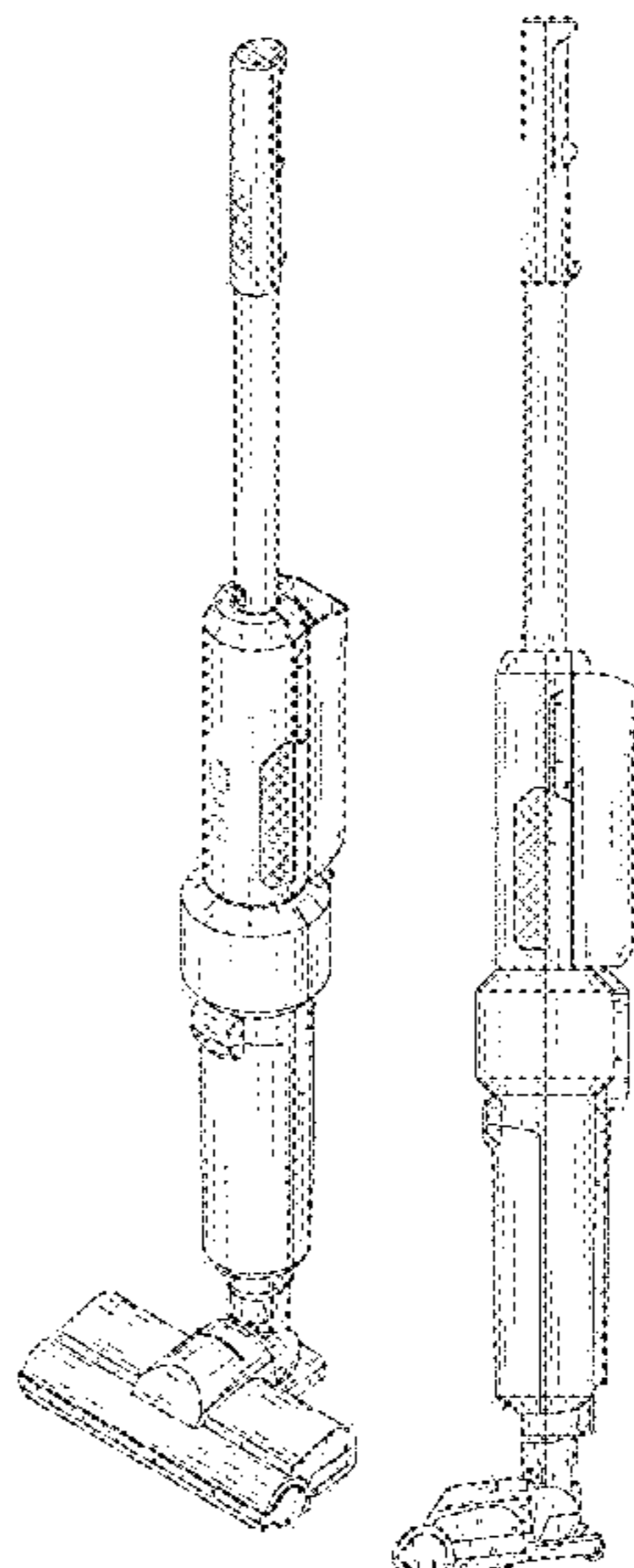


FIG. 1

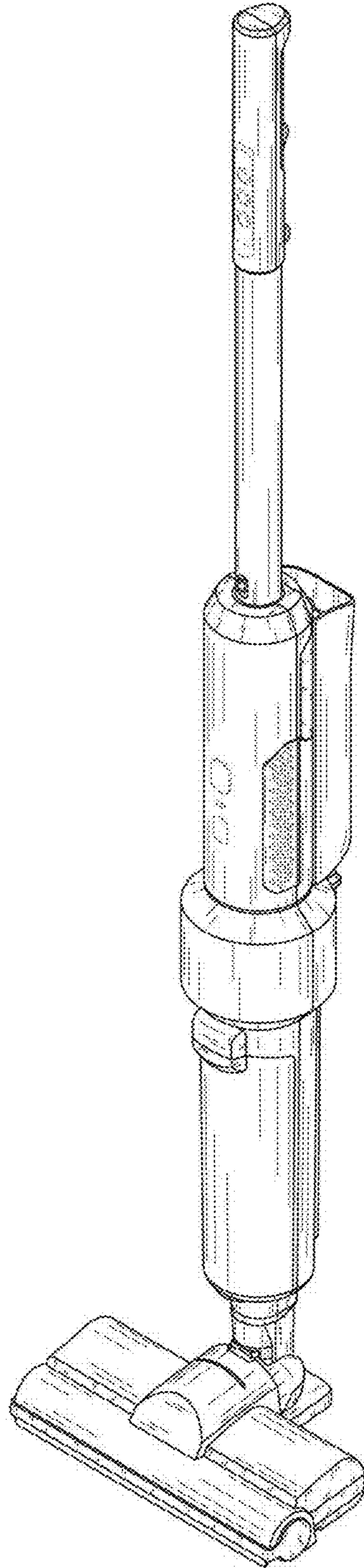


FIG. 2

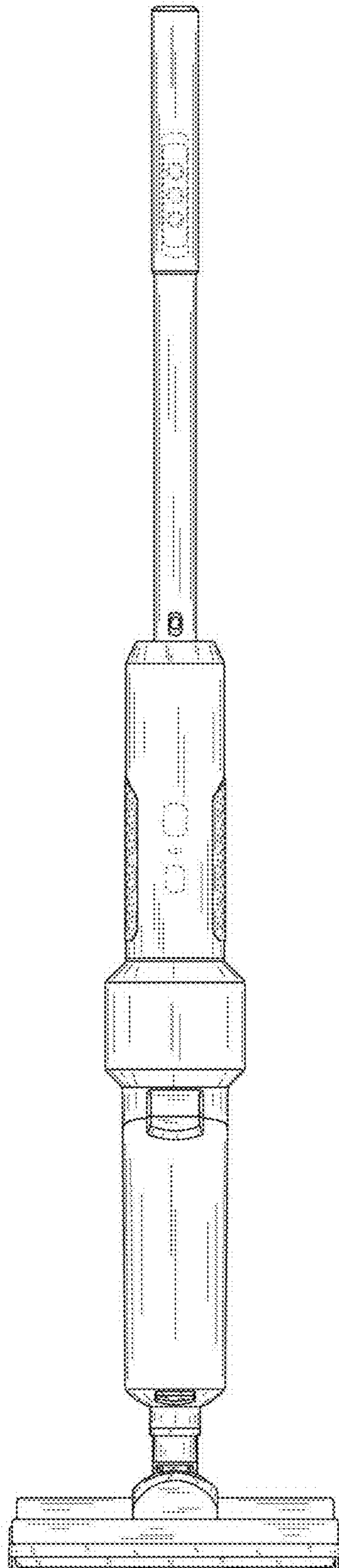


FIG. 3

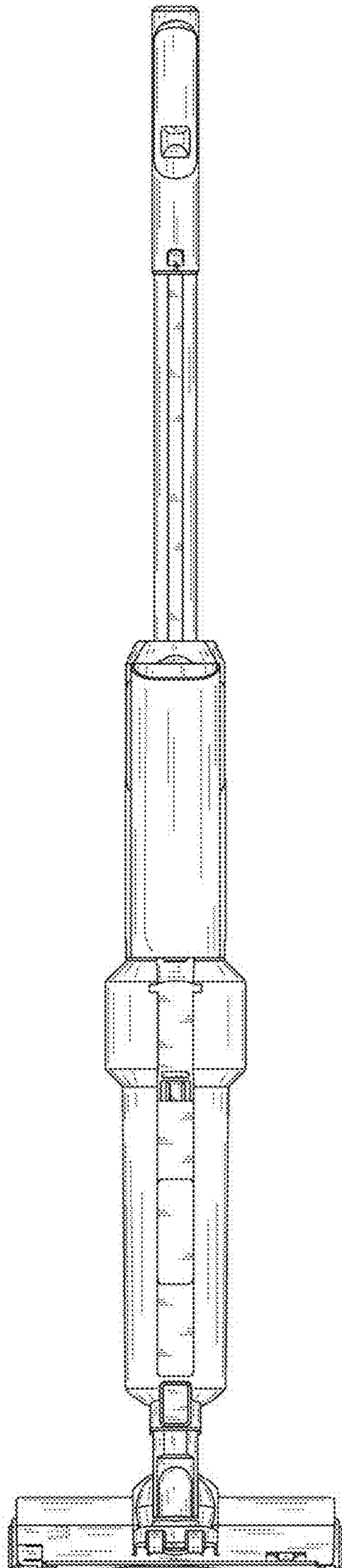


FIG. 4

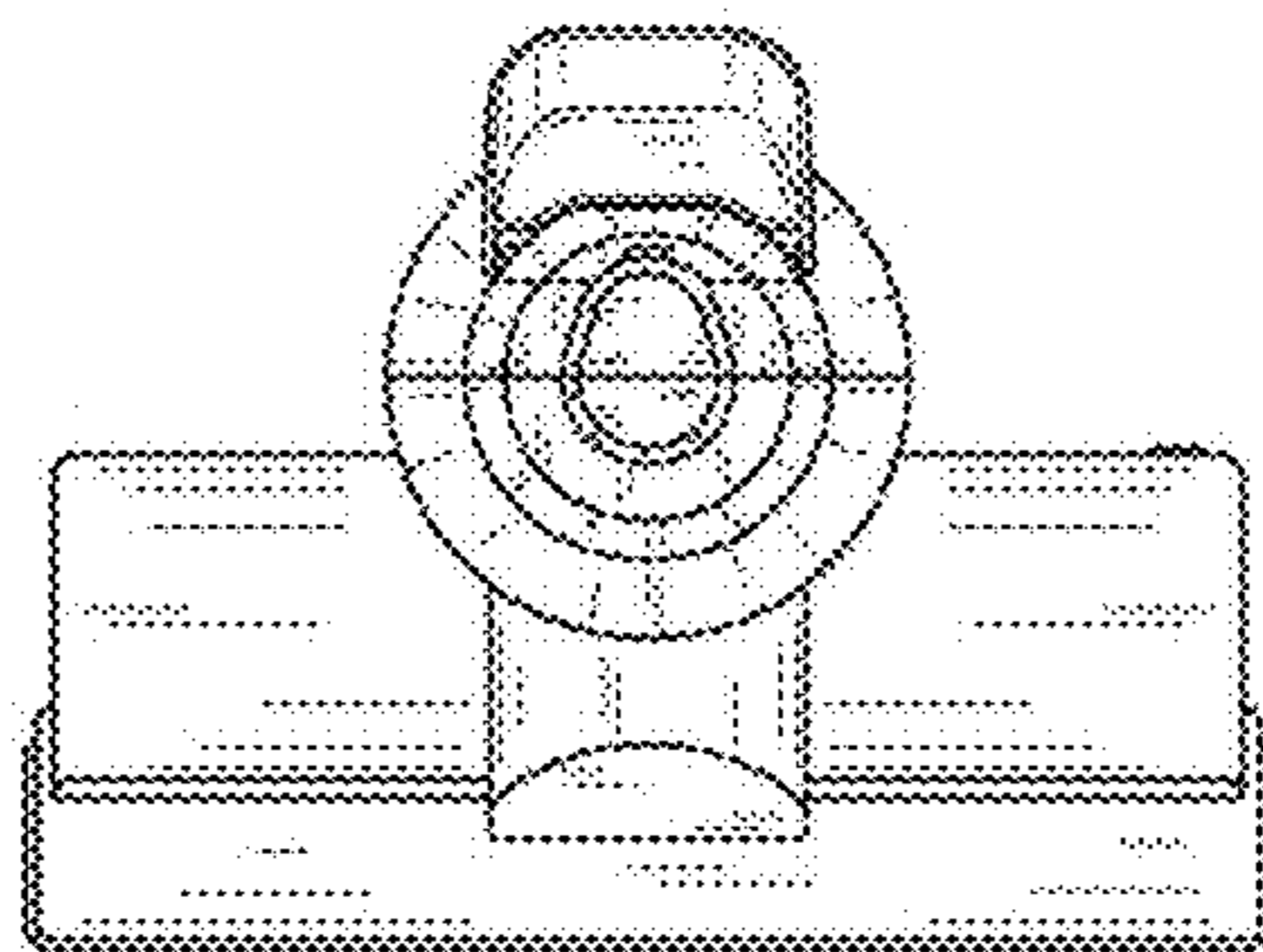


FIG. 5

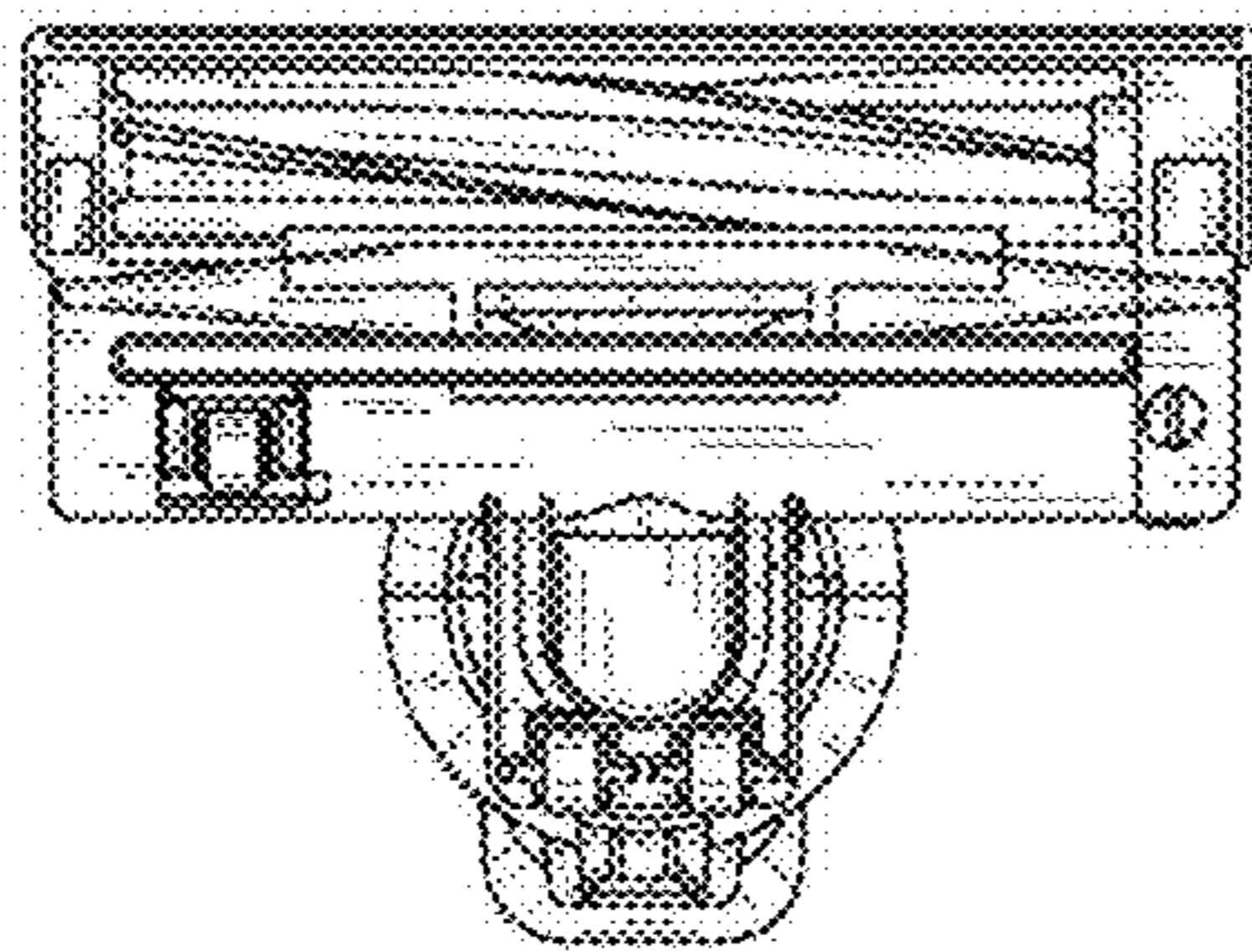


FIG. 6

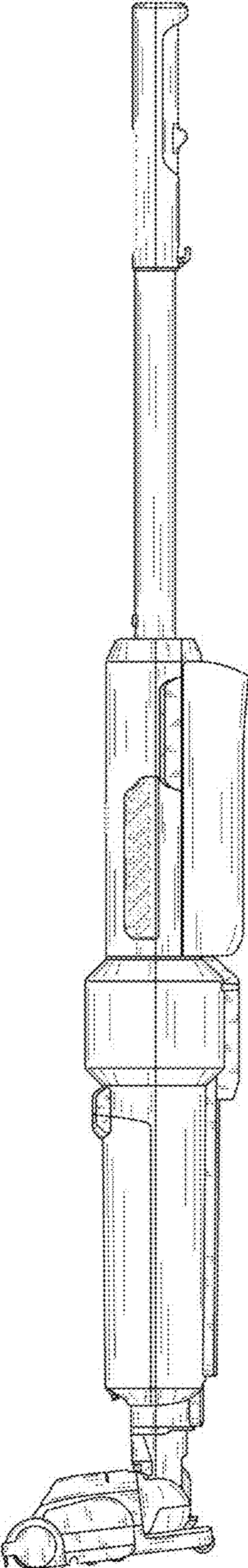


FIG. 7

