



US00D872392S

(12) **United States Design Patent** (10) **Patent No.:** **US D872,392 S**
Kim et al. (45) **Date of Patent:** **** Jan. 7, 2020**

(54) **WASHING MACHINE**
(71) Applicant: **SAMSUNG ELECTRONICS CO., LTD.**, Suwon-si, Gyeonggi-do (KR)
(72) Inventors: **Kangdoon Kim**, Seoul (KR); **Deoksang Yun**, Uiwang-si (KR)
(73) Assignee: **SAMSUNG ELECTRONICS CO., LTD.**, Gyeonggi-Do (KR)

D622,916 S 8/2010 Lee
D659,307 S 5/2012 Geyer et al.
8,240,175 B2 8/2012 Kim et al.
D703,885 S 4/2014 Ha et al.
D730,602 S * 5/2015 Choi D32/25
D732,767 S 6/2015 Ha et al.
D735,424 S 7/2015 Ha et al.
(Continued)

(**) Term: **15 Years**
(21) Appl. No.: **29/670,697**
(22) Filed: **Nov. 19, 2018**

FOREIGN PATENT DOCUMENTS

KR 300643945 S 5/2012
KR 300659280 S 9/2012
KR 300743350 S 5/2014

Primary Examiner — Susan Bennett Hattan
Assistant Examiner — Rebecca Tsehaye
(74) *Attorney, Agent, or Firm* — Cantor Colburn LLP

Related U.S. Application Data

(63) Continuation of application No. 29/628,901, filed on Dec. 8, 2017, now Pat. No. Des. 836,265, which is a continuation of application No. 29/561,235, filed on Apr. 14, 2016, now Pat. No. Des. 808,599.

(57) **CLAIM**

The ornamental design for a washing machine, as shown and described.

(30) **Foreign Application Priority Data**

Nov. 24, 2015 (KR) 30-2015-0059165

(51) **LOC (12) Cl.** **15-05**
(52) **U.S. Cl.**
USPC **D32/6**

(58) **Field of Classification Search**
USPC D32/1, 5, 6, 8, 10, 11, 25, 28, 29; 68/27, 68/11, 38, 20, 3 R, 5 R
CPC D06F 21/10; D06F 21/02; D06F 21/00; D06F 21/12; D06F 21/04; D06F 21/06; D06F 21/08; D06F 23/02; D06F 23/06; D06F 23/028; D06F 23/04; D06F 23/065
See application file for complete search history.

DESCRIPTION

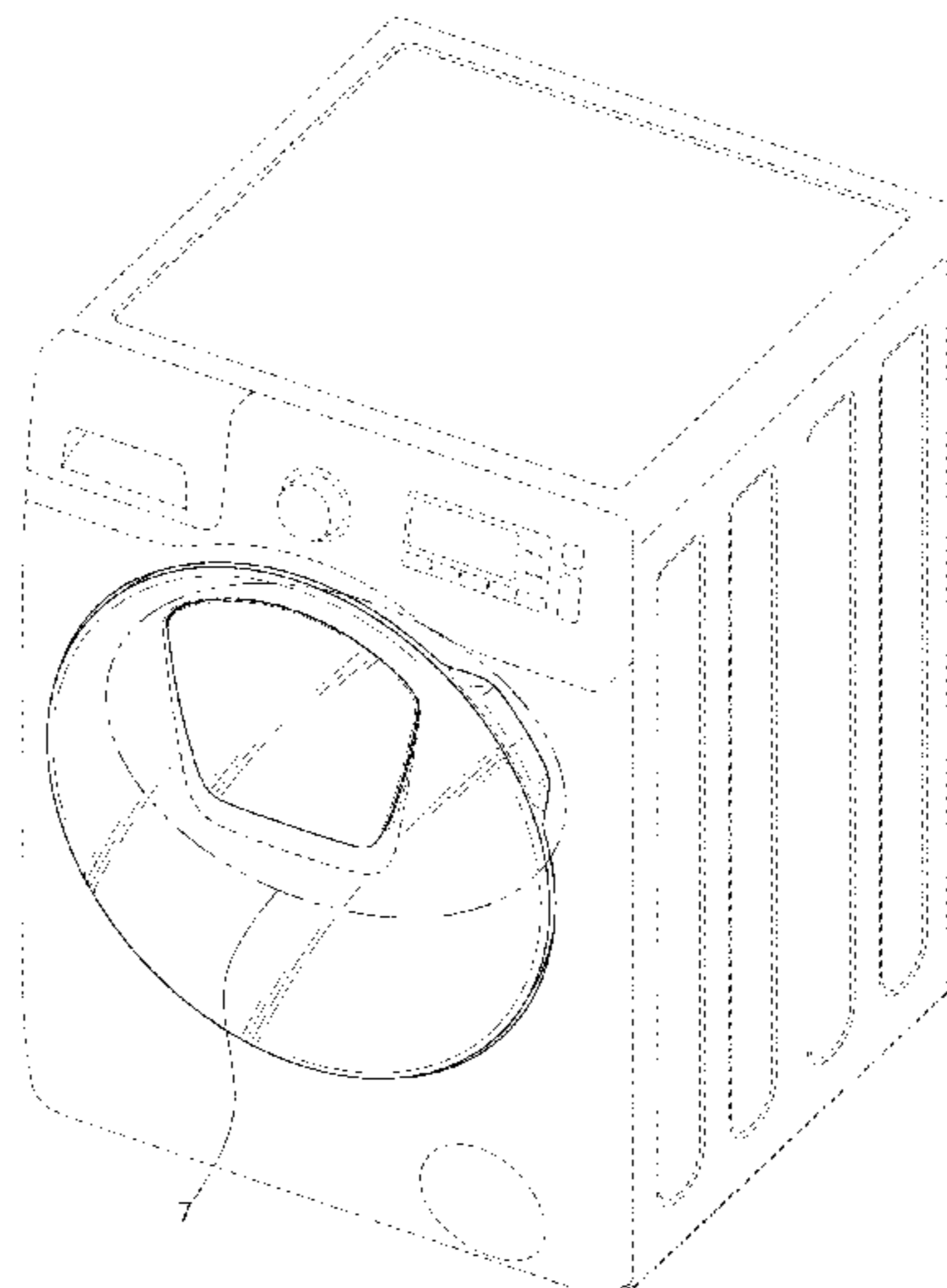
FIG. 1 is a perspective view of a washing machine showing our new design;
FIG. 2 is a front view thereof;
FIG. 3 is a left side view thereof;
FIG. 4 is a right side view thereof;
FIG. 5 is a top view thereof;
FIG. 6 is a bottom view thereof; and,
FIG. 7 is an enlarged view of the encircled portion of FIG. 1.

The short dash-dash broken lines in the figures depict portions of the washing machine that form no part of the claimed design. The dot-dot-dash broken lines encircling portions of the claimed design in FIGS. 1 and 7 that are illustrated in enlargement form no part of the claimed design. The oblique lines in the drawings indicate translucent surfaces.

(56) **References Cited**
U.S. PATENT DOCUMENTS

D589,661 S 3/2009 Oh et al.
D620,650 S * 7/2010 Lee D32/6

1 Claim, 7 Drawing Sheets



(56)

References Cited

U.S. PATENT DOCUMENTS

D739,097	S	9/2015	Qin et al.	
D746,521	S	12/2015	Ha et al.	
D770,701	S *	11/2016	Park	D32/6
D770,702	S	11/2016	Yun et al.	
D770,704	S	11/2016	Yun et al.	
D770,705	S *	11/2016	Kang	D32/6
D772,499	S	11/2016	Yoon et al.	
D772,500	S *	11/2016	Park	D32/6
D772,501	S *	11/2016	Yun	D32/6
D772,502	S *	11/2016	Choi	D32/6
D773,128	S *	11/2016	Kim	D32/6
D773,753	S *	12/2016	Kim	D32/6
D773,754	S	12/2016	Choi et al.	
D773,759	S	12/2016	Yun et al.	
D774,714	S	12/2016	Kang et al.	
D791,419	S	7/2017	Kim et al.	
D792,663	S	7/2017	Kim et al.	
D793,013	S	7/2017	Kang et al.	
D794,266	S	8/2017	Yoon et al.	
D794,267	S	8/2017	Kang et al.	
D808,599	S	1/2018	Kim et al.	
D809,221	S	1/2018	Kim et al.	
D809,223	S	1/2018	Kim et al.	
D809,719	S	2/2018	Kim et al.	
D819,284	S	5/2018	Kim	
D821,045	S *	6/2018	Kim	D32/25
D826,489	S *	8/2018	Yoon	D32/6
D834,265	S *	11/2018	Kim	D32/6
D835,870	S *	12/2018	Kim	D32/25
D836,265	S *	12/2018	Kim	D32/6
D848,092	S *	5/2019	Yoon	D32/6
D850,737	S *	6/2019	Kim	D32/8

* cited by examiner

FIG. 1

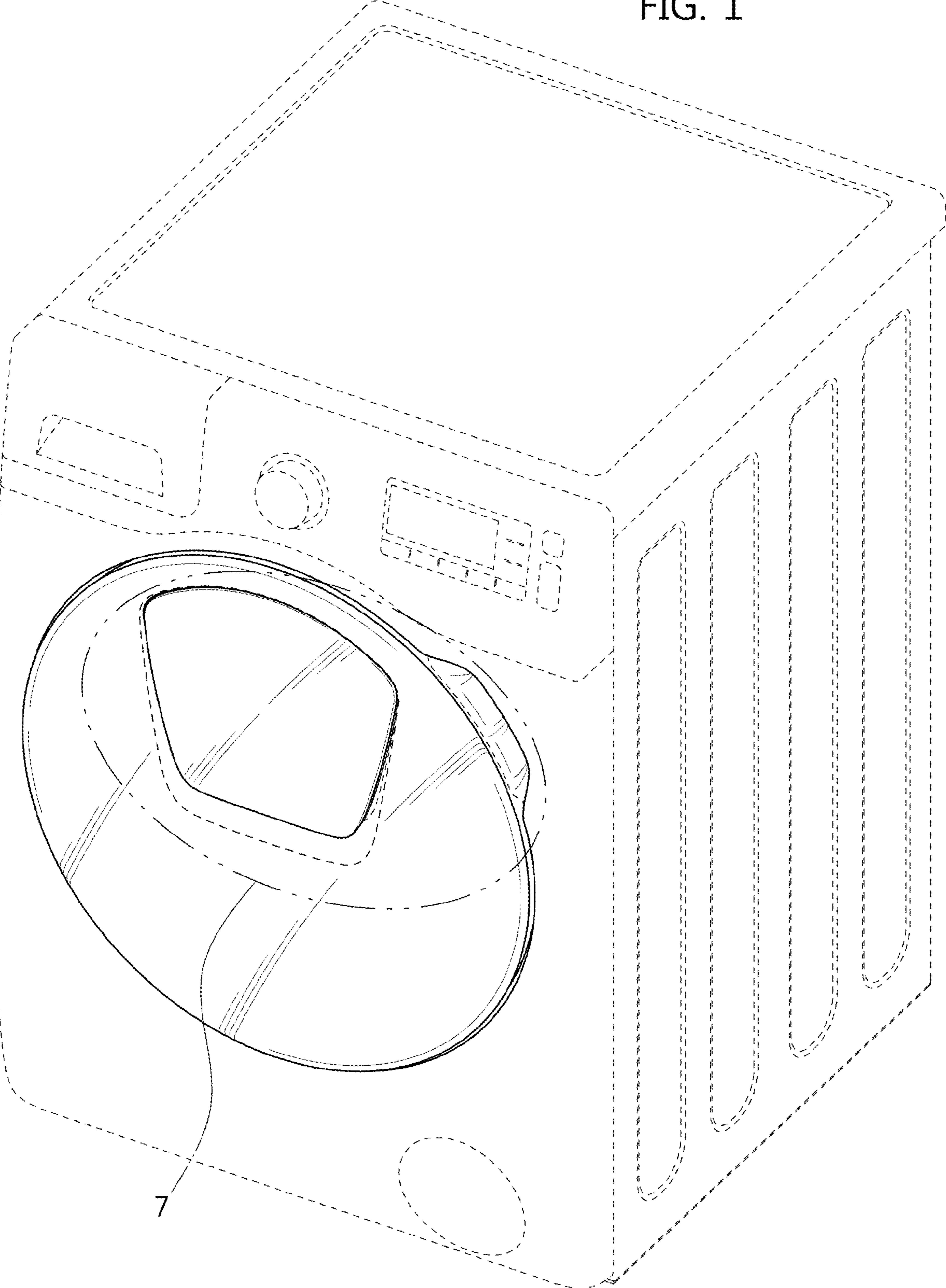


FIG. 2

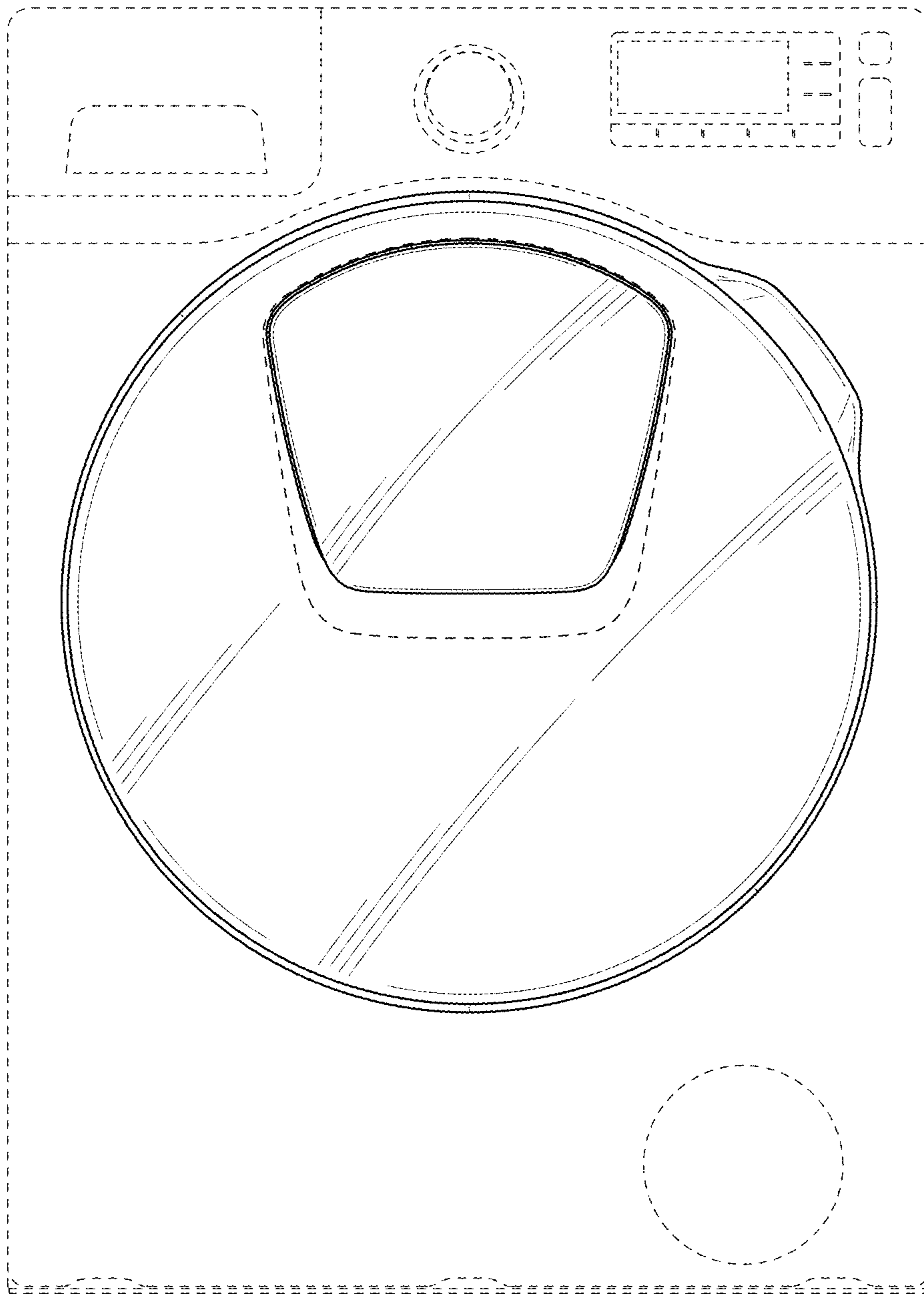


FIG. 3

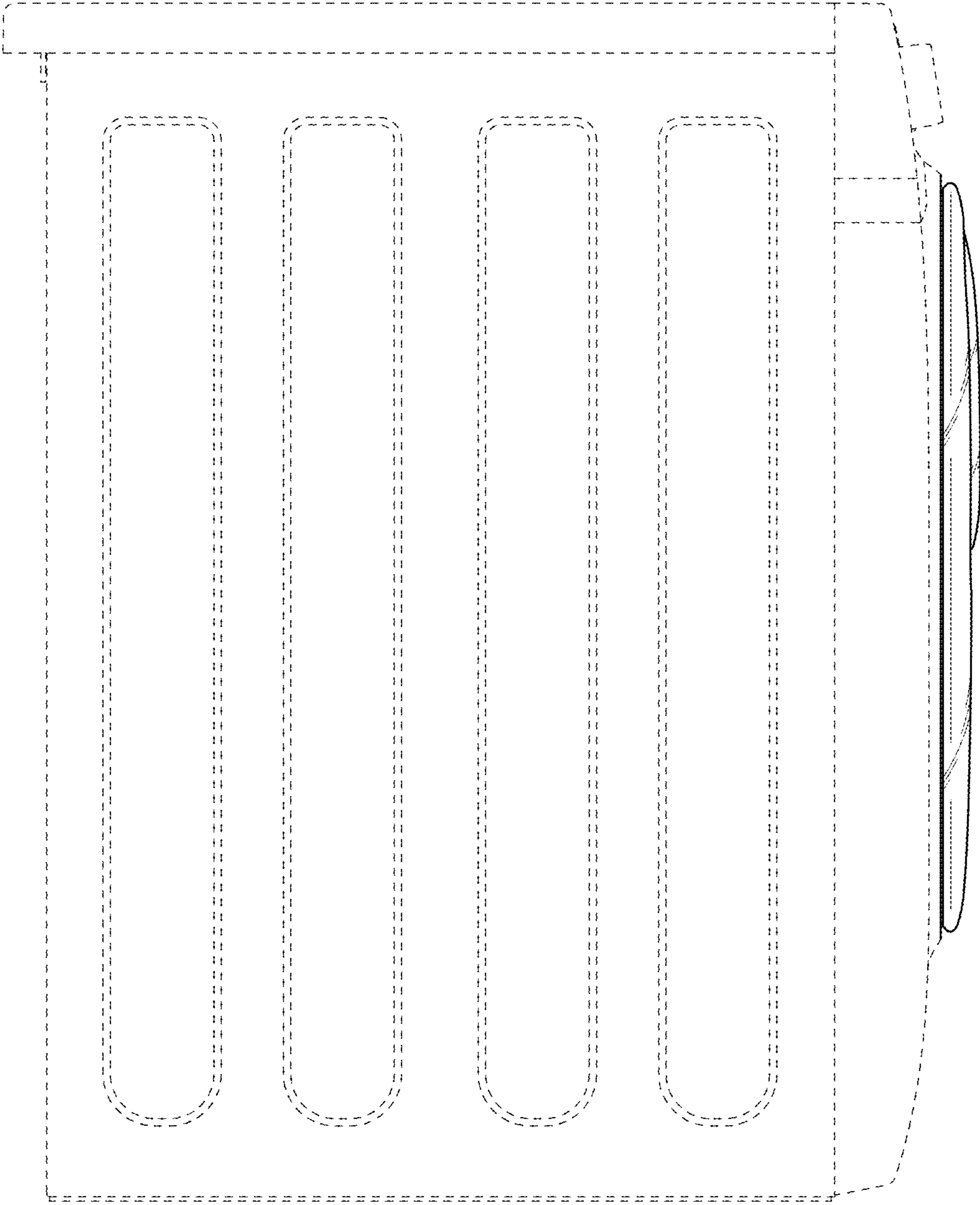


FIG. 4

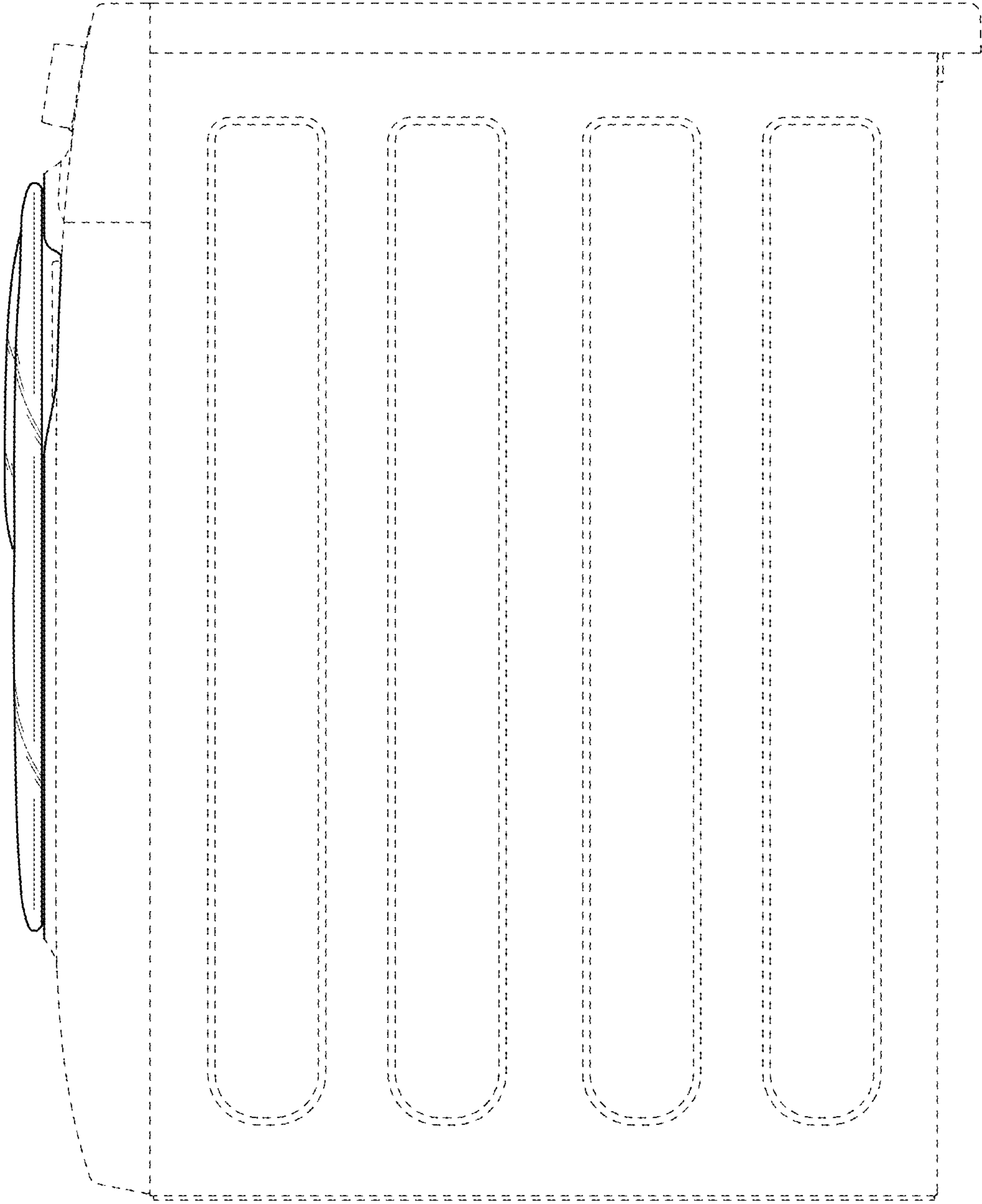


FIG. 5

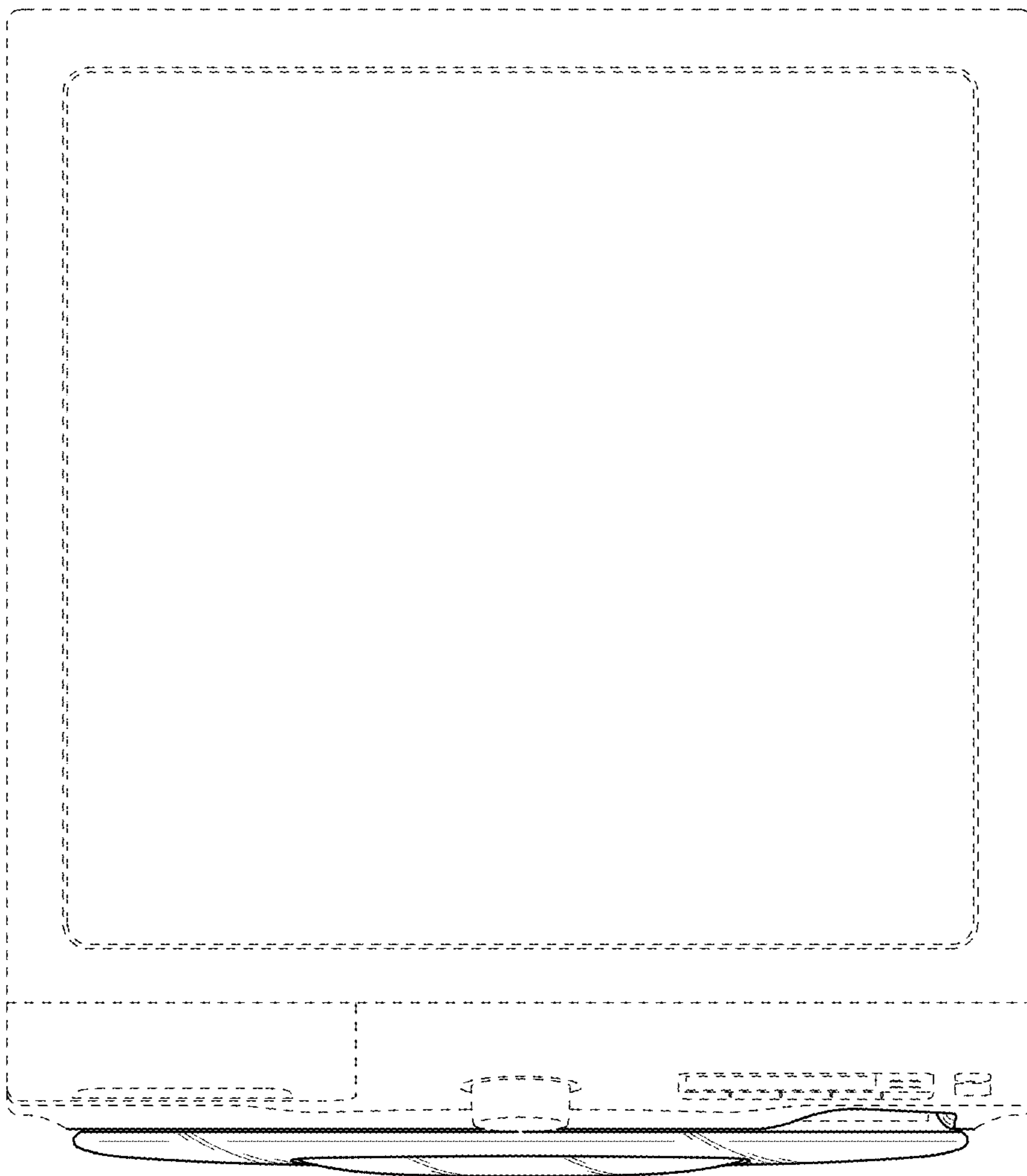


FIG. 6

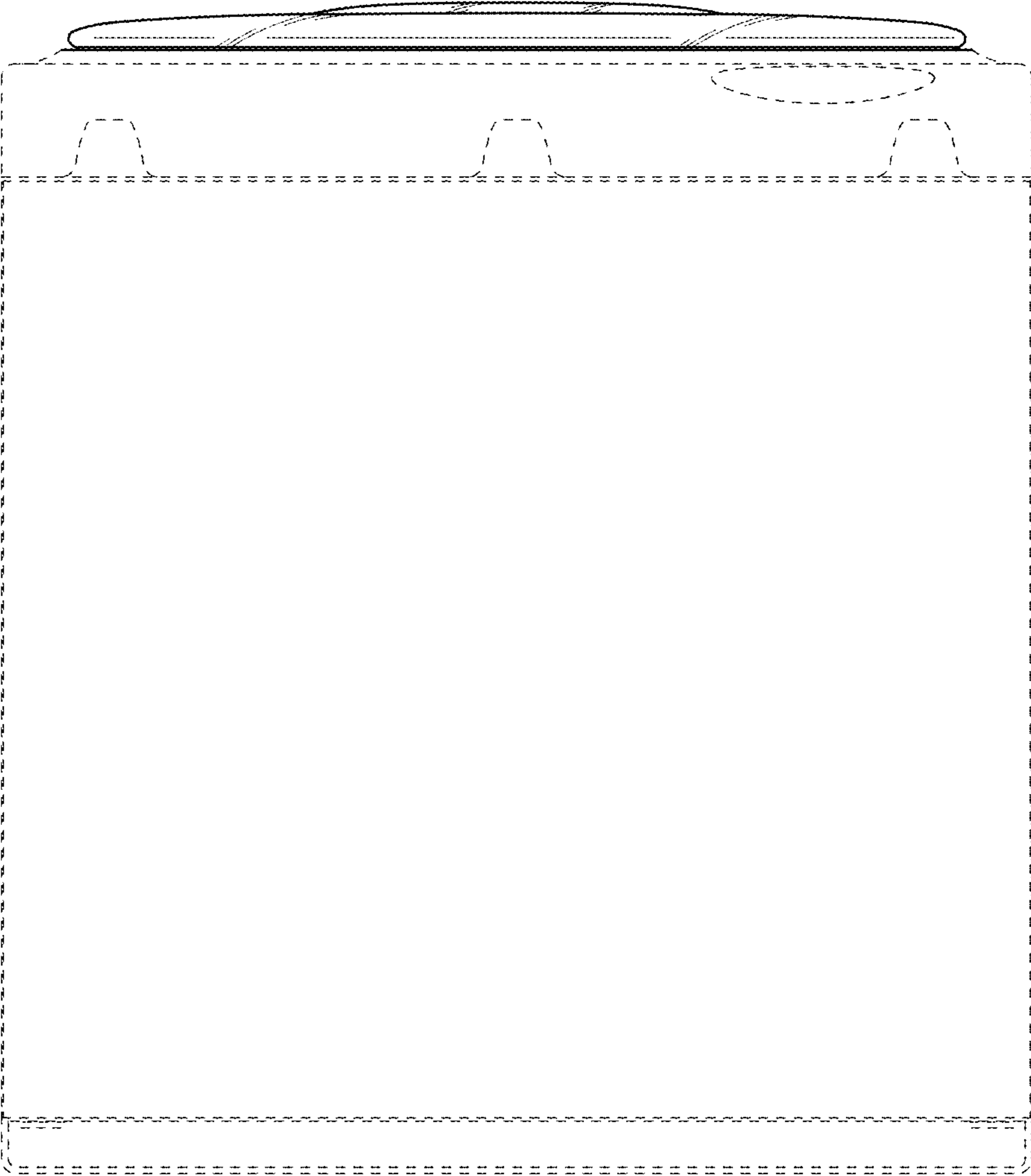


FIG. 7

