



US00D872389S

(12) **United States Design Patent** (10) **Patent No.:** **US D872,389 S**
Crane (45) **Date of Patent:** **** Jan. 7, 2020**

(54) **CYLINDRICAL SHAPED DOG TOY**

(71) Applicant: **DELCA CORPORATION**, San Clemente, CA (US)

(72) Inventor: **Sabine S. Crane**, San Clemente, CA (US)

(73) Assignee: **DELCA CORPORATION**

(**) Term: **15 Years**

(21) Appl. No.: **29/656,931**

(22) Filed: **Jul. 17, 2018**

(51) **LOC (12) Cl.** **30-99**

(52) **U.S. Cl.**
USPC **D30/160**

(58) **Field of Classification Search**
USPC D21/398, 400, 402, 412, 415, 426, 436, D21/439, 440, 441, 443, 455, 460-462, D21/466-468, 479, 495, 563, 656, 712, D21/713, 788, 799.1, 470, 681; D24/211, D24/214, 215, 193-195; D30/160, 112, D30/119; D1/125-127

CPC A63H 5/00; A63H 33/26; A63H 33/18; A63H 29/22; A63H 29/24; A63H 2200/00; A63H 11/00; A63H 13/00; A63H 18/02; A63H 18/14; A63H 18/16; A63H 29/00; A63H 33/009; A63H 33/22; A63H 33/3055; A63H 3/003; A63H 3/006; A63H 3/008; A63H 3/24; A63H 3/28; A63H 3/31; A63H 3/36; A63H 9/00; A63B 59/20; A63B 69/406; A63B 47/04; A63B 2220/51; A63B 2220/53; A63B 2220/56; A63B 2220/805; A63B 2071/0625; A63B 2071/063; A63B 2220/17; A63B 2220/18; A63B 2220/40; A63B 2220/803; A63B 2220/833; A63B 43/004; A63B 43/06; A63B 71/0622; A63B 2071/0602; A63B 21/0055; A63B 2207/02; A63B 2225/54; A63B 69/0053; A63B 2047/043

See application file for complete search history.

(56) **References Cited**

U.S. PATENT DOCUMENTS

2,197,839 A * 4/1940 Roberts E02B 3/26
114/219
6,954,963 B2 * 10/2005 McKay A47L 25/005
15/104.002
7,188,384 B2 * 3/2007 McKay A47L 25/005
15/104.002
D544,155 S * 6/2007 Lamstein D30/158
D597,263 S * 7/2009 Nazimek D30/160

(Continued)

Primary Examiner — Sheryl Lane

Assistant Examiner — Aula Soroush

(74) *Attorney, Agent, or Firm* — Andrew S. Dallmann;
Eastman McCartney Dallmann LLP

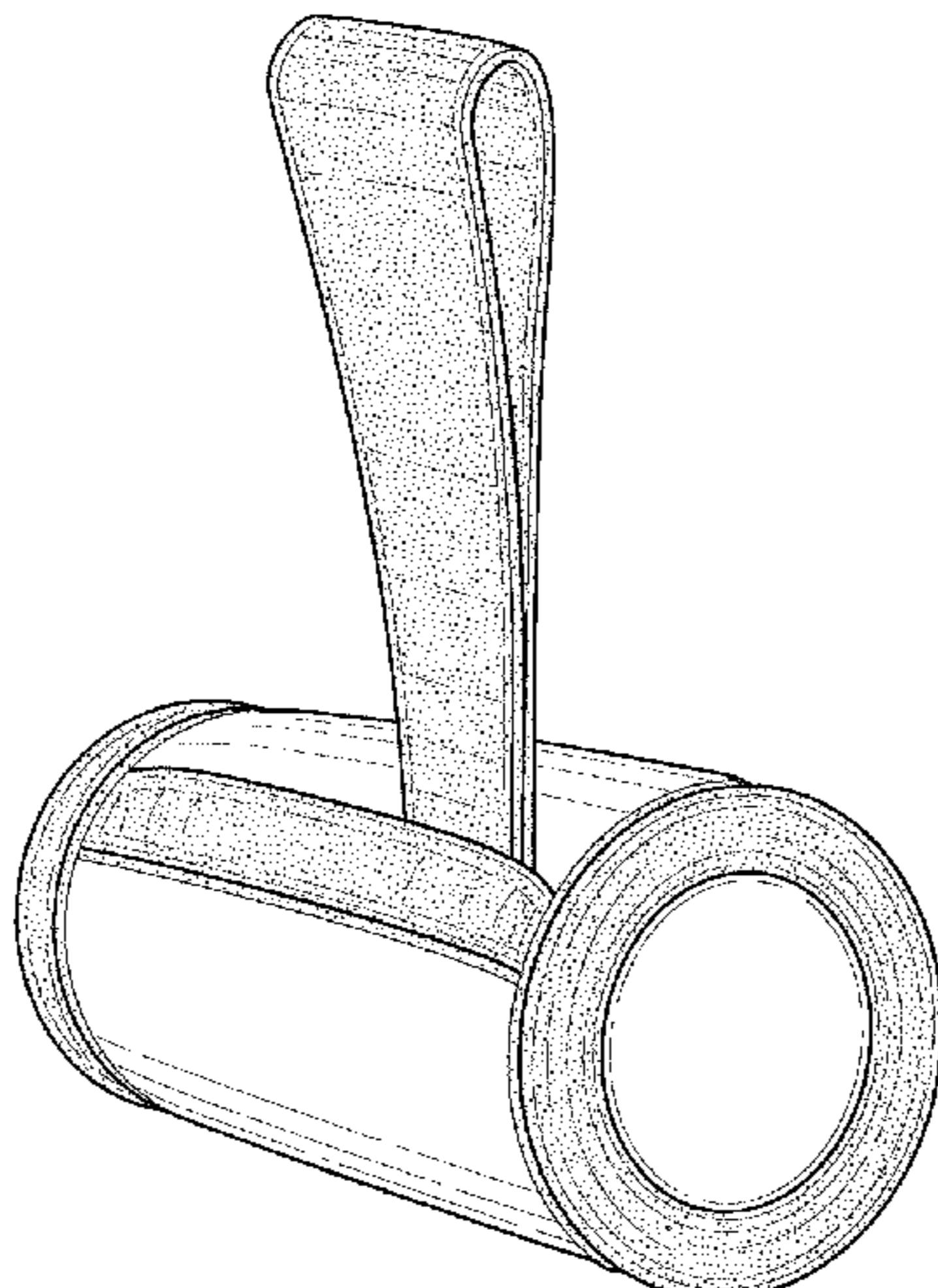
(57) **CLAIM**

The ornamental design for a cylindrical shaped dog toy, as shown and described.

DESCRIPTION

FIG. 1 is a top-left perspective view of a cylindrical shaped dog toy;
FIG. 2 is a bottom-right perspective view of the cylindrical shaped dog toy;
FIG. 3 is a top plan view of the cylindrical shaped dog toy;
FIG. 4 is a bottom plan view of the cylindrical shaped dog toy;
FIG. 5 is a front elevational view of the cylindrical shaped dog toy;
FIG. 6 is a back elevational view of the cylindrical shaped dog toy;
FIG. 7 is a left elevational view of the cylindrical shaped dog toy; and,
FIG. 8 is a right elevational view of the cylindrical shaped dog toy.

1 Claim, 4 Drawing Sheets



(56)

References Cited

U.S. PATENT DOCUMENTS

D629,978	S	*	12/2010	Nazimek	D30/160
D648,807	S	*	11/2011	Butler	D21/398
D650,137	S	*	12/2011	Byrne	D30/160
D653,819	S	*	2/2012	Byrne	D30/160
D661,850	S	*	6/2012	Byrne	D30/160
D689,654	S	*	9/2013	Oblack	D30/160
10,286,098	B2	*	5/2019	Sherwood	A01M 1/2055
2004/0194240	A1	*	10/2004	McKay, Jr.	A47L 25/005 15/104.002

* cited by examiner

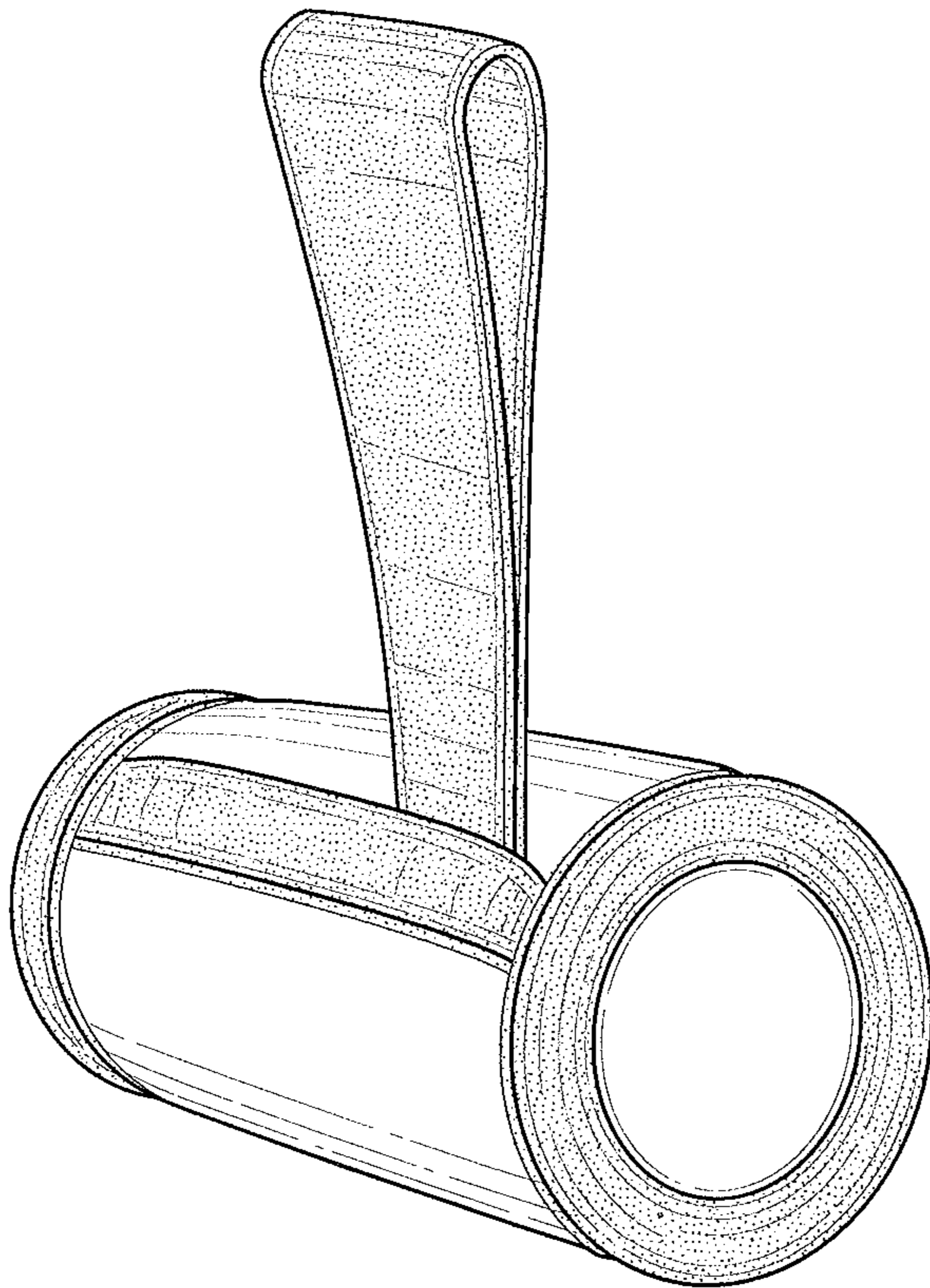


FIG. 1

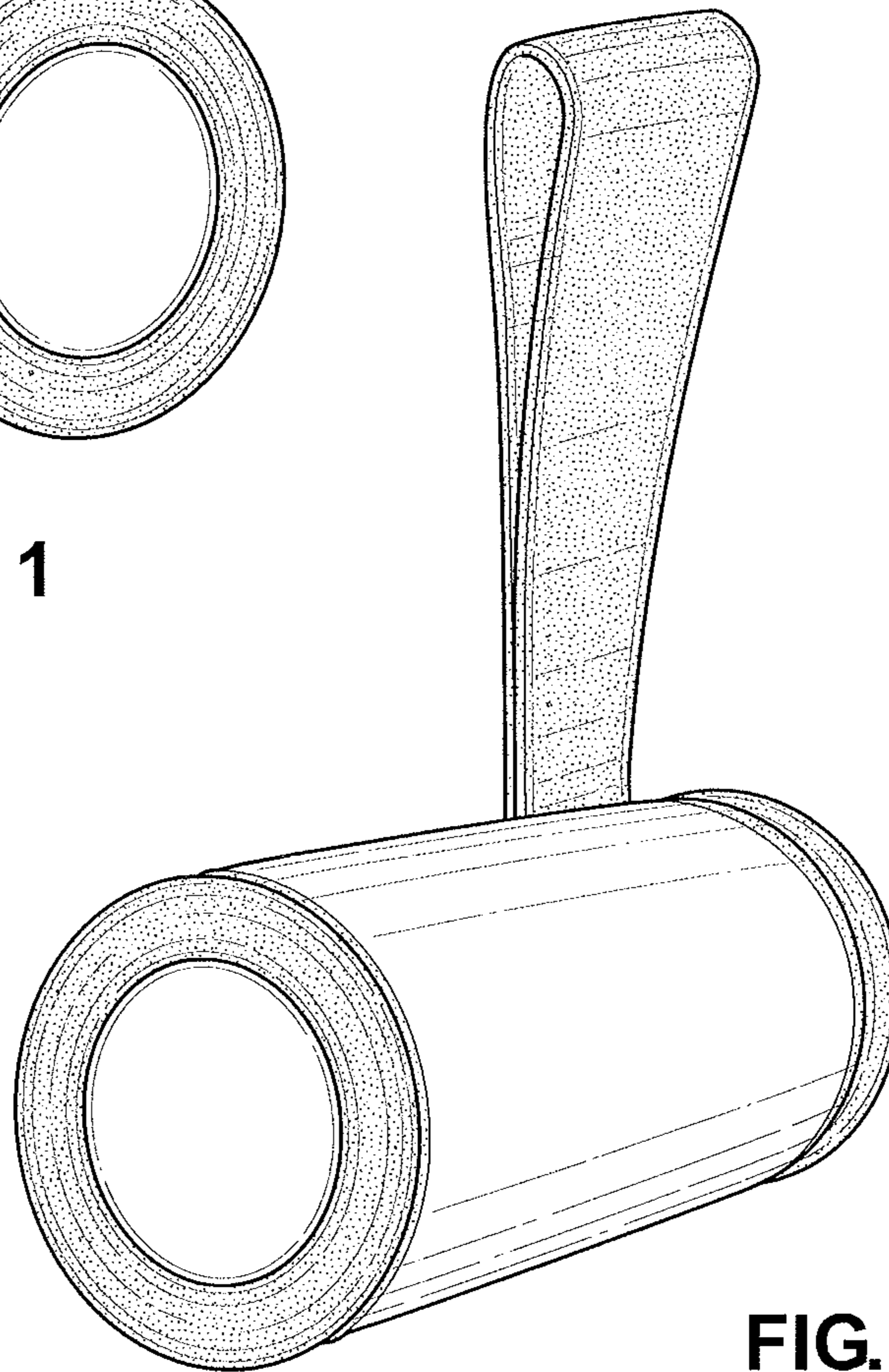


FIG. 2

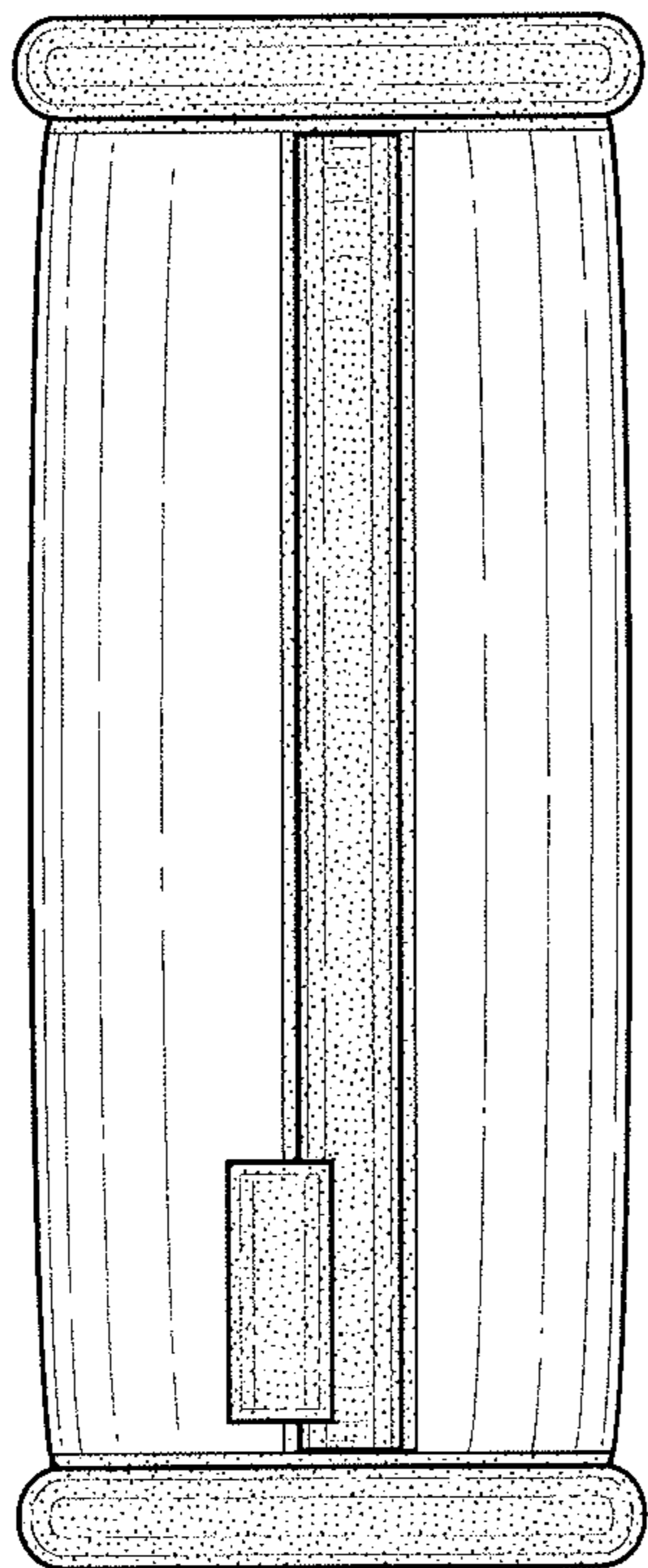


FIG. 3

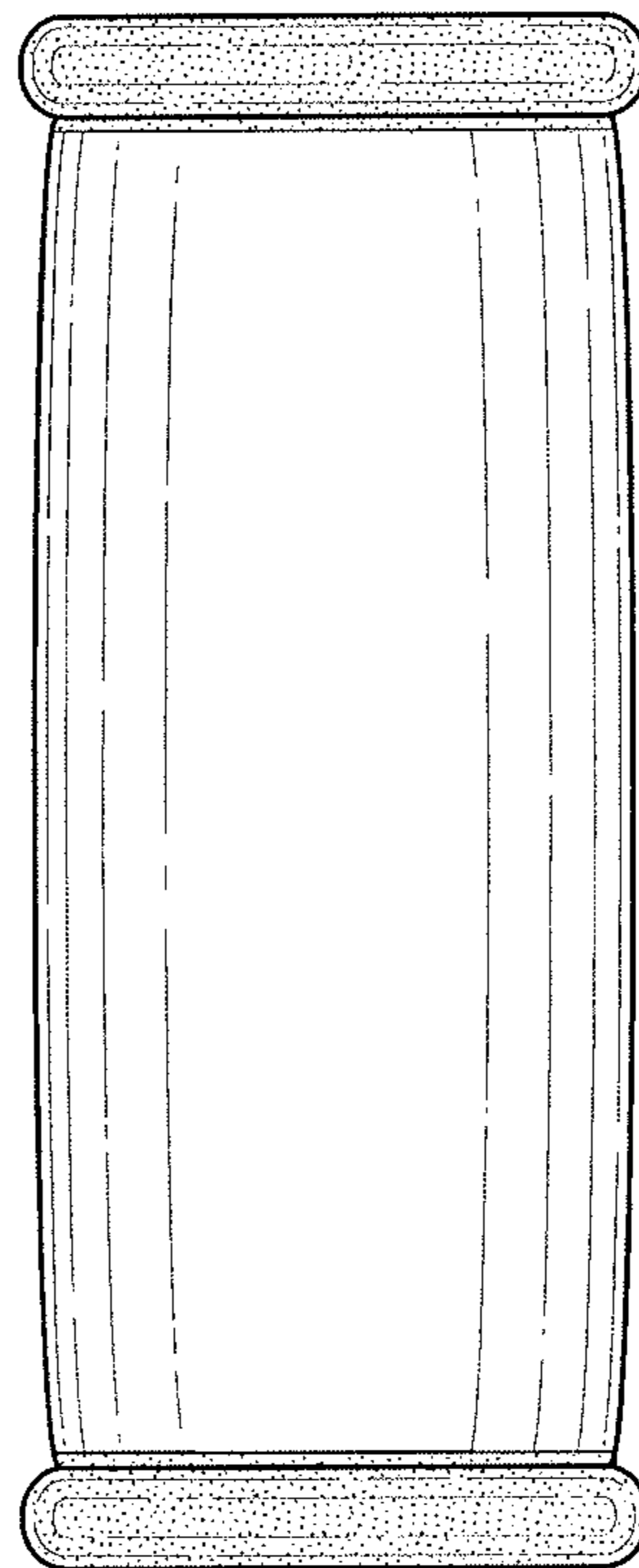


FIG. 4

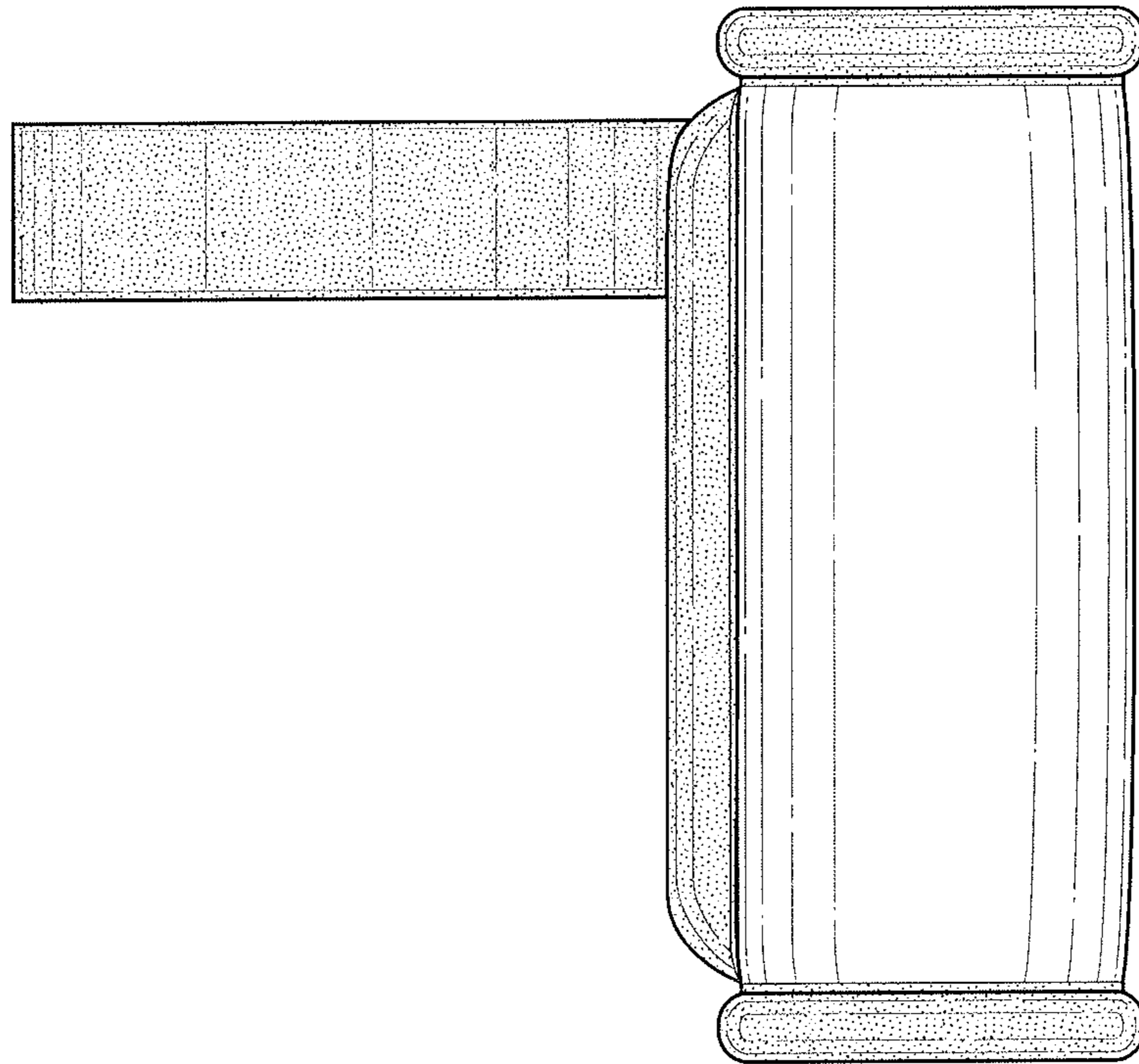


FIG. 6

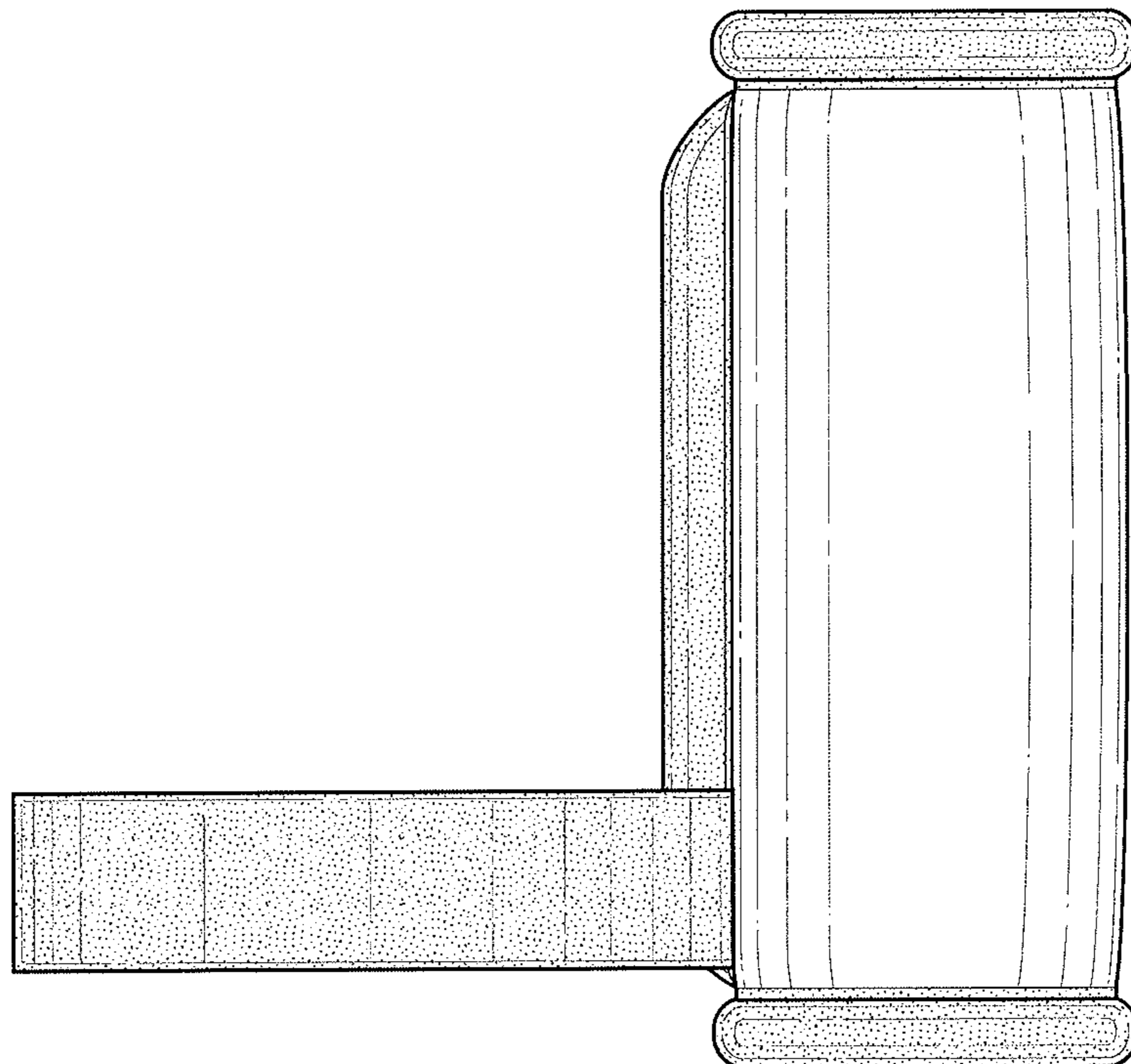


FIG. 5

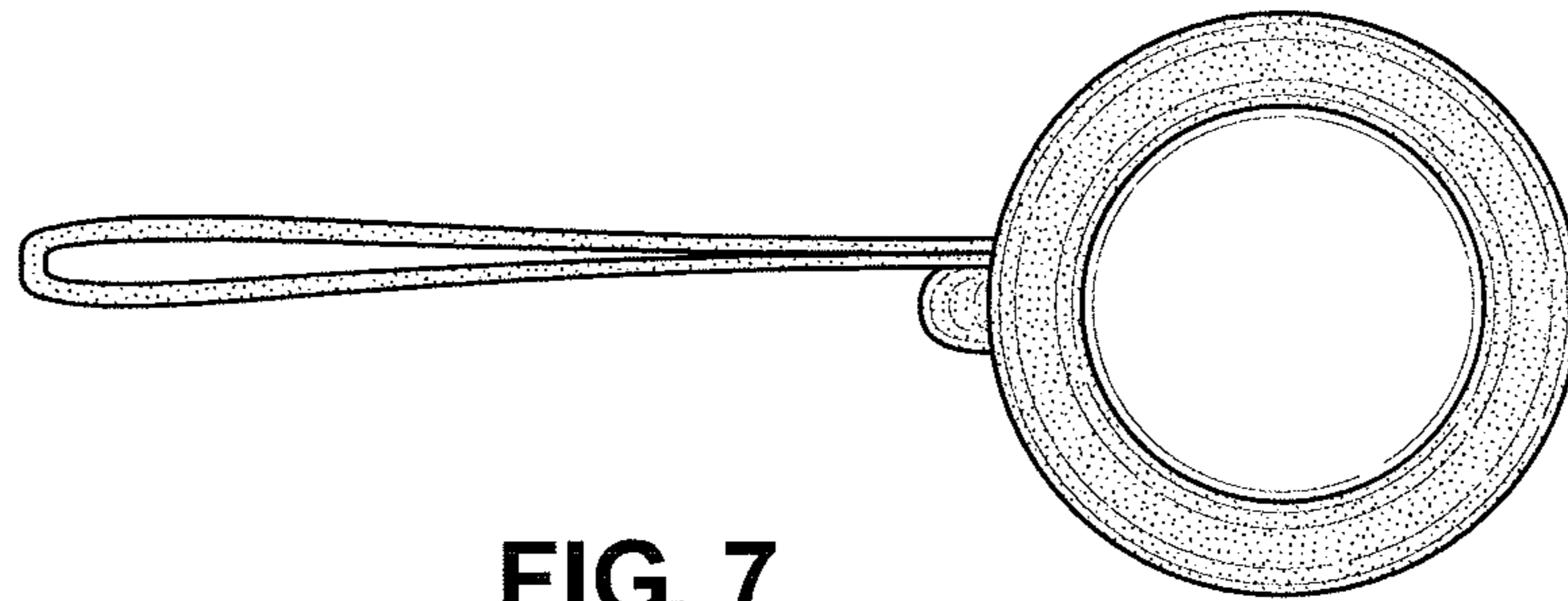


FIG. 7

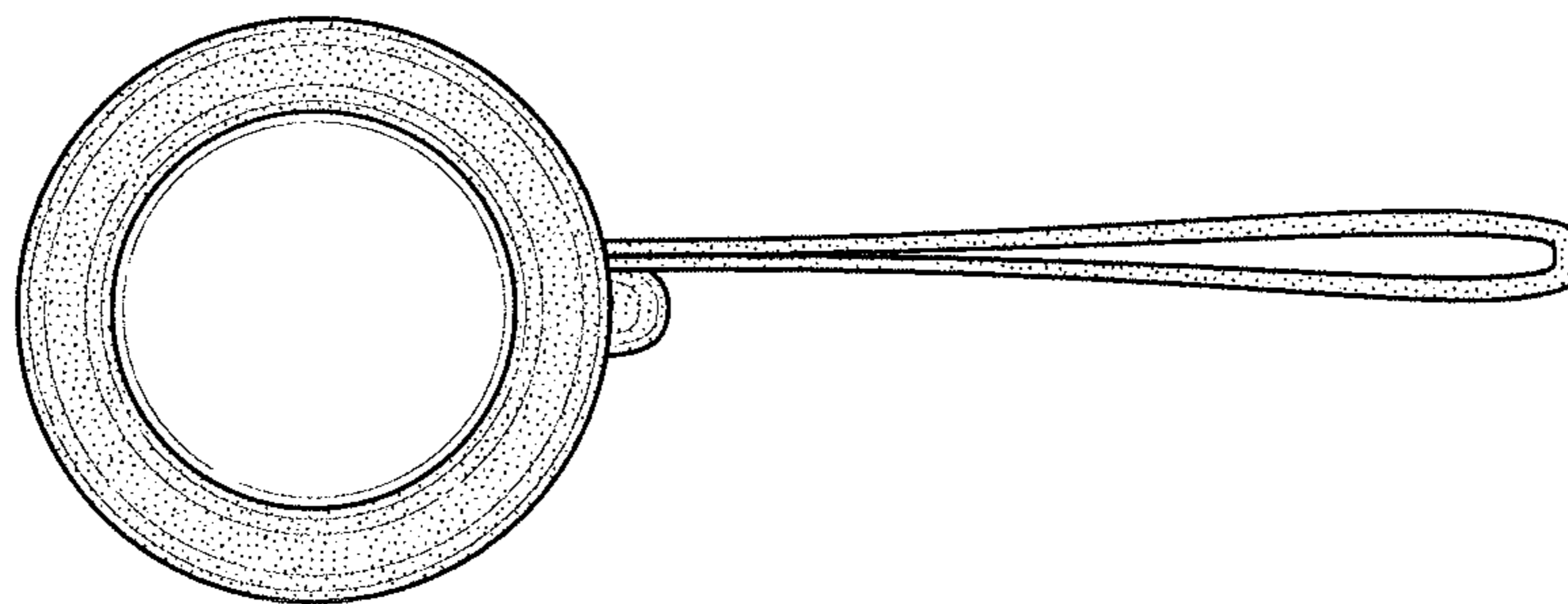


FIG. 8