



US00D872385S

(12) **United States Design Patent** (10) **Patent No.:** **US D872,385 S**
Soto (45) **Date of Patent:** **** Jan. 7, 2020**

(54) **ANIMAL CHEW TOY**
(71) Applicant: **THE HARTZ MOUNTAIN CORPORATION**, Secaucus, NJ (US)
(72) Inventor: **Johann Soto**, Rutherford, NJ (US)
(73) Assignee: **THE HARTZ MOUNTAIN CORPORATION**, Secaucus, NJ (US)
(**) Term: **15 Years**
(21) Appl. No.: **29/638,822**
(22) Filed: **Mar. 1, 2018**
(51) **LOC (12) Cl.** **30-99**
(52) **U.S. Cl.**
USPC **D30/160**
(58) **Field of Classification Search**
USPC D21/398, 400, 402, 415, 426, 436, 439, D21/440, 441, 443,455, 460-462, D21/466-468, 479, 495, 563, 656, 712, D21/713, 788, 799.1, 470, 681, 386, 484, D21/707, 408, 437, 673, 678, 679, 682; D24/211, 212, 214, 215, 193-195; D30/160, 112, 119; D1/120, 125-127
CPC A63H 5/00; A63H 33/26; A63H 33/18; A63H 29/22; A63H 29/24; A63H 2200/00; A63H 11/00; A63H 13/00; A63H 18/02; A63H 18/14; A63H 18/16; A63H 29/00; A63H 33/009; A63H 33/22; A63H 33/3055; A63H 3/003; A63H 3/006; A63H 3/008; A63H 3/24; A63H 3/28; A63H 3/31; A63H 3/36; A63H 9/00; A63B 59/20; A63B 69/406; A63B 47/04; A63B 2220/51; A63B 2220/53; A63B 2220/56; A63B 2220/805; A63B 2071/0625; A63B 2071/063; A63B 2220/17; A63B 2220/18; A63B 2220/40; A63B 2220/803; A63B 2220/833; A63B 43/004; A63B 43/06; A63B 71/0622; A63B 2071/0602; A63B 21/0055; A63B 2207/02;

(Continued)

(56) **References Cited**
U.S. PATENT DOCUMENTS
D394,414 S * 5/1998 Catalano D1/199
6,116,191 A 9/2000 Suchowski
(Continued)

FOREIGN PATENT DOCUMENTS
CN 104642185 5/2015
CN 104642188 5/2015
GB 2413503 8/2008

OTHER PUBLICATIONS
“Decorative Best Dog Chew Toys That Last”; Amazing Toys Reference Ideas; Cool Toys Reference Pictures; chewy.com; Trenton I. Young; Sep. 17, 2016; <http://www.luxrysale.com/decorative-best-dog-chew-toys-that-last/>.

(Continued)

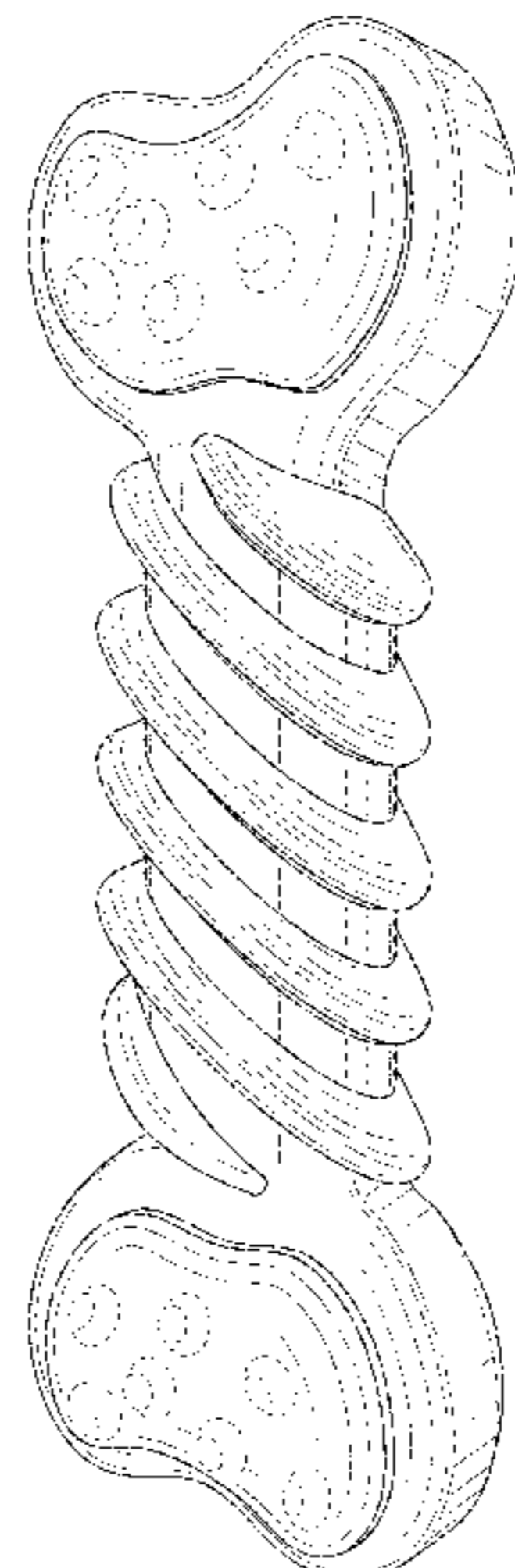
Primary Examiner — Sheryl Lane
Assistant Examiner — Aula Soroush
(74) *Attorney, Agent, or Firm* — Gottlieb, Rackman & Reisman, P.C.

(57) **CLAIM**
The ornamental design for an animal chew toy, as shown and described.

DESCRIPTION

FIG. 1 is a perspective view showing my new design; FIG. 2 is a front elevational view thereof; FIG. 3 is a rear elevational view thereof; FIG. 4 is a left side elevational view thereof; FIG. 5 is a right side elevational view thereof; FIG. 6 is a top plan view thereof; and, FIG. 7 is a bottom plan view thereof.
The broken lines shown in the drawings are included for the purpose of illustrating portions of the animal chew toy that form no part of the claimed design.

1 Claim, 6 Drawing Sheets



(58) **Field of Classification Search**

CPC A63B 2225/54; A63B 69/0053; A63B
2047/043

See application file for complete search history.

(56) **References Cited**

U.S. PATENT DOCUMENTS

D450,894 S 11/2001 Suchowski
D453,242 S * 1/2002 Kaplan A01K 15/026
D30/160
D496,141 S * 9/2004 Tepper D1/106
D496,518 S * 9/2004 Tepper D1/106
D496,773 S * 10/2004 Tepper D1/199
D497,457 S 10/2004 Willinger
D534,694 S * 1/2007 Pozzoni D30/160
D576,358 S * 9/2008 Rutherford D30/160
D578,726 S * 10/2008 Edwards D1/109
D586,976 S * 2/2009 Lundwall D1/109
D636,948 S 4/2011 Axelrod et al.
D658,348 S 5/2012 McCleary
D694,964 S 12/2013 Axelrod
8,916,179 B2 12/2014 Axelrod
D747,067 S * 1/2016 Axelrod D1/106
D747,832 S 1/2016 Setser
D755,450 S 5/2016 Setser
9,363,981 B2 6/2016 Axelrod

D762,042 S 7/2016 Osenga
D796,125 S 8/2017 Gibson
D803,512 S 11/2017 Falcone
D805,207 S 12/2017 Ruffin
9,839,199 B2 12/2017 Dewey
D821,695 S * 7/2018 Spivak D1/199
D838,418 S * 1/2019 Zelinger D30/160
2006/0102099 A1 * 5/2006 Edwards A01K 15/026
119/710
2010/0224138 A1 * 9/2010 Axelrod A01K 15/026
119/710
2011/0011351 A1 1/2011 Simoni
2015/0090192 A1 4/2015 Powers

OTHER PUBLICATIONS

“Nylabone Puppy Starter Packs Puppy Chew Toys”; <https://www.amazon.com/Nylabone-Puppy-Treat-Starter-Girls/dp/B06XCNCCGK>; Amazon.com : Nylabone Puppy Chew Toy & Treat Puppy Starter Set, Pink Puppy Chew Toys for Girls : Pet Supplies; Amazon.
“Nylabone Hedgehog Bristle Brush Dental Chew Toy”; Nylabone Nylabone Hedgehog Bristle Brush Dental Chew Toy Dog Chew Toys; <https://www.petmountain.com/product/dog-chew-toys/11442-609154/nylabone-hedgehog-bristle-brush-dental-chew-toy.html>.

* cited by examiner

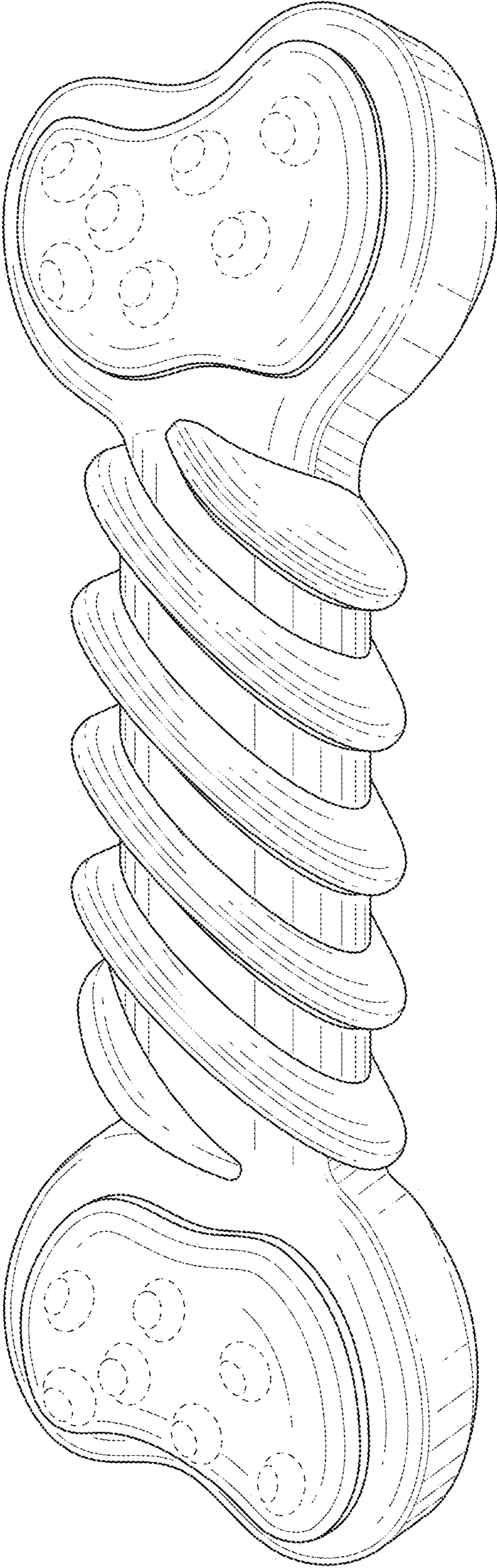


FIG. 1

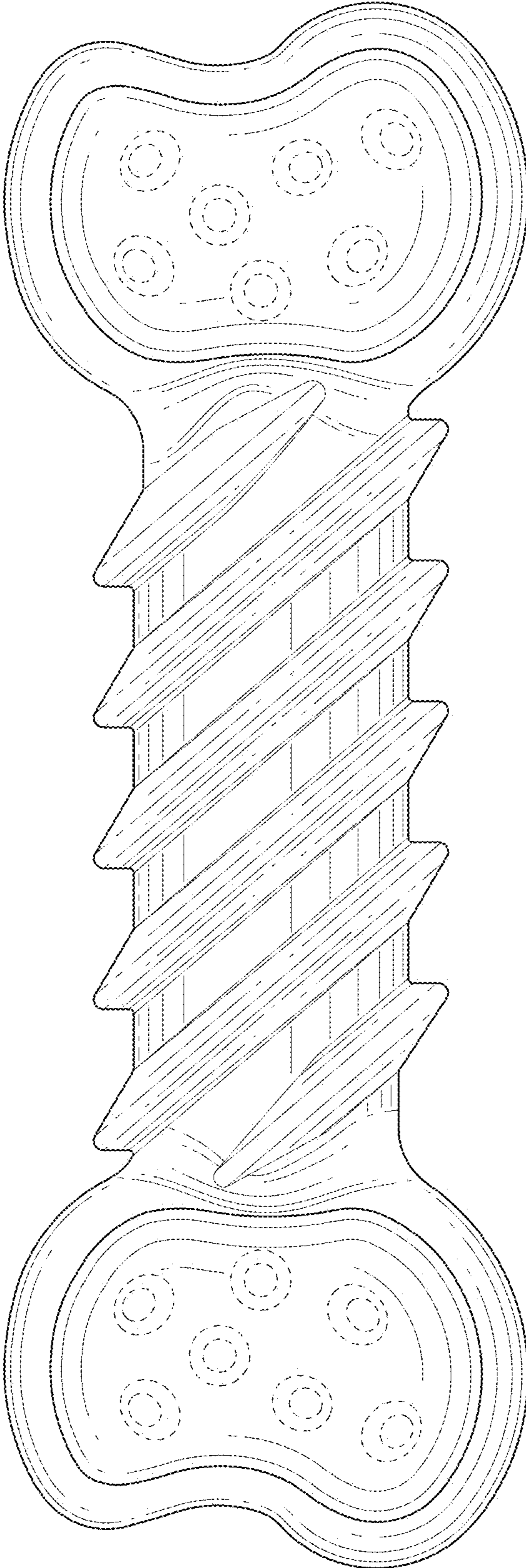


FIG.2

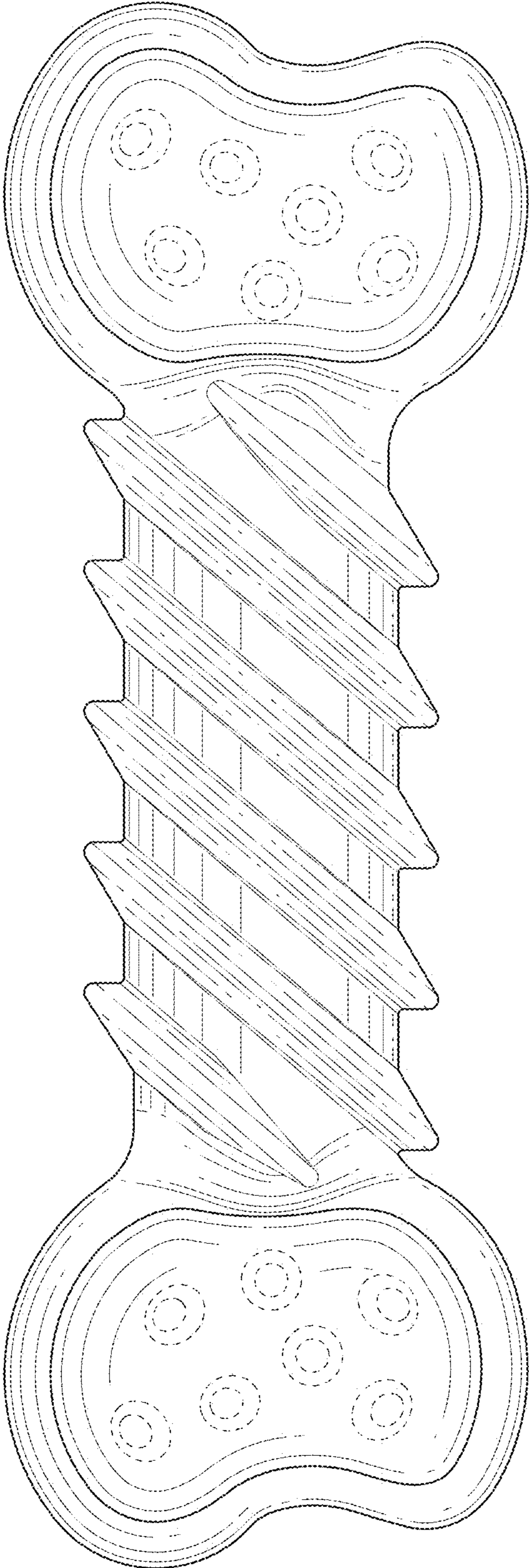


FIG. 3

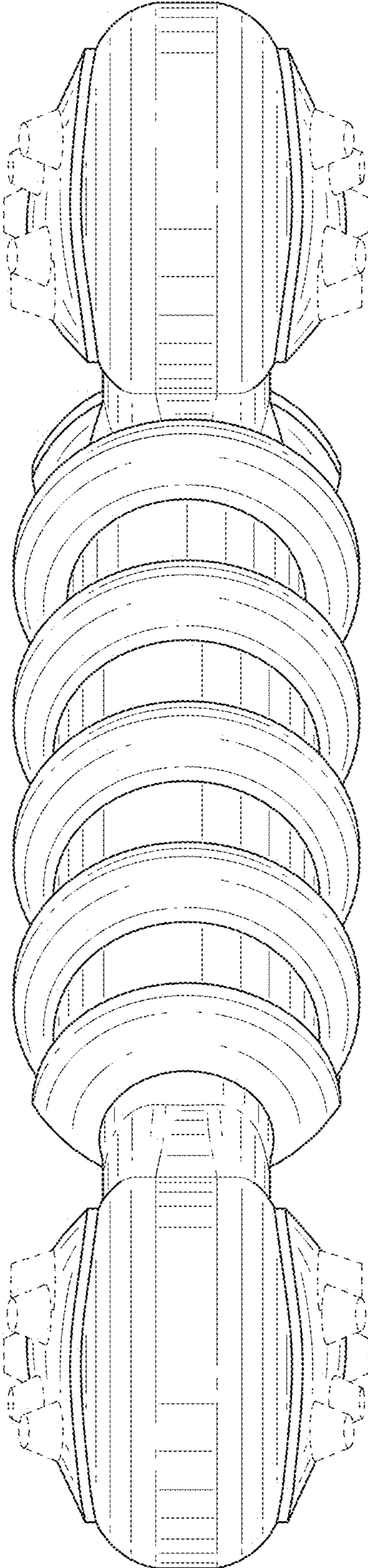


FIG. 4

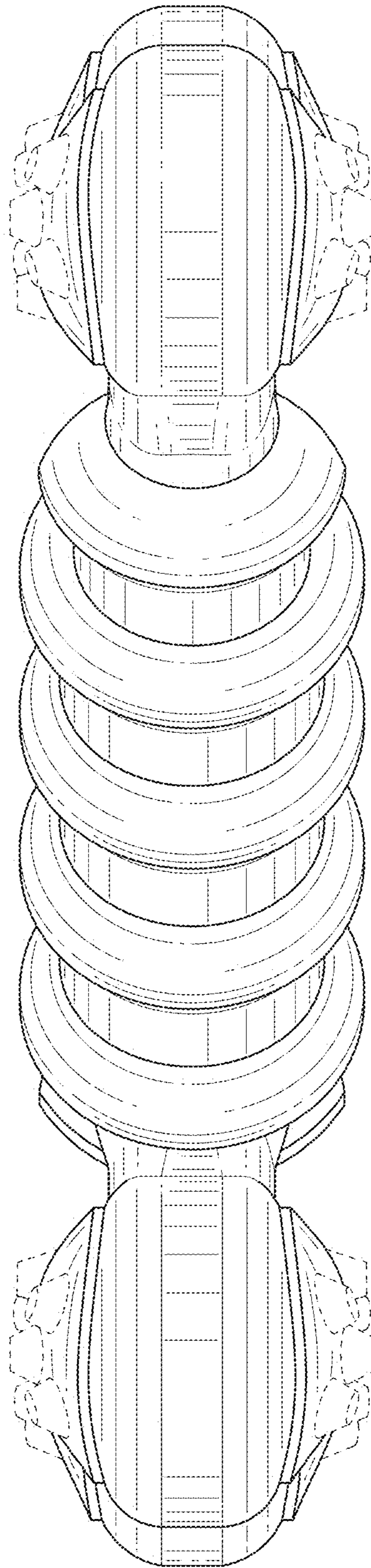


FIG. 5

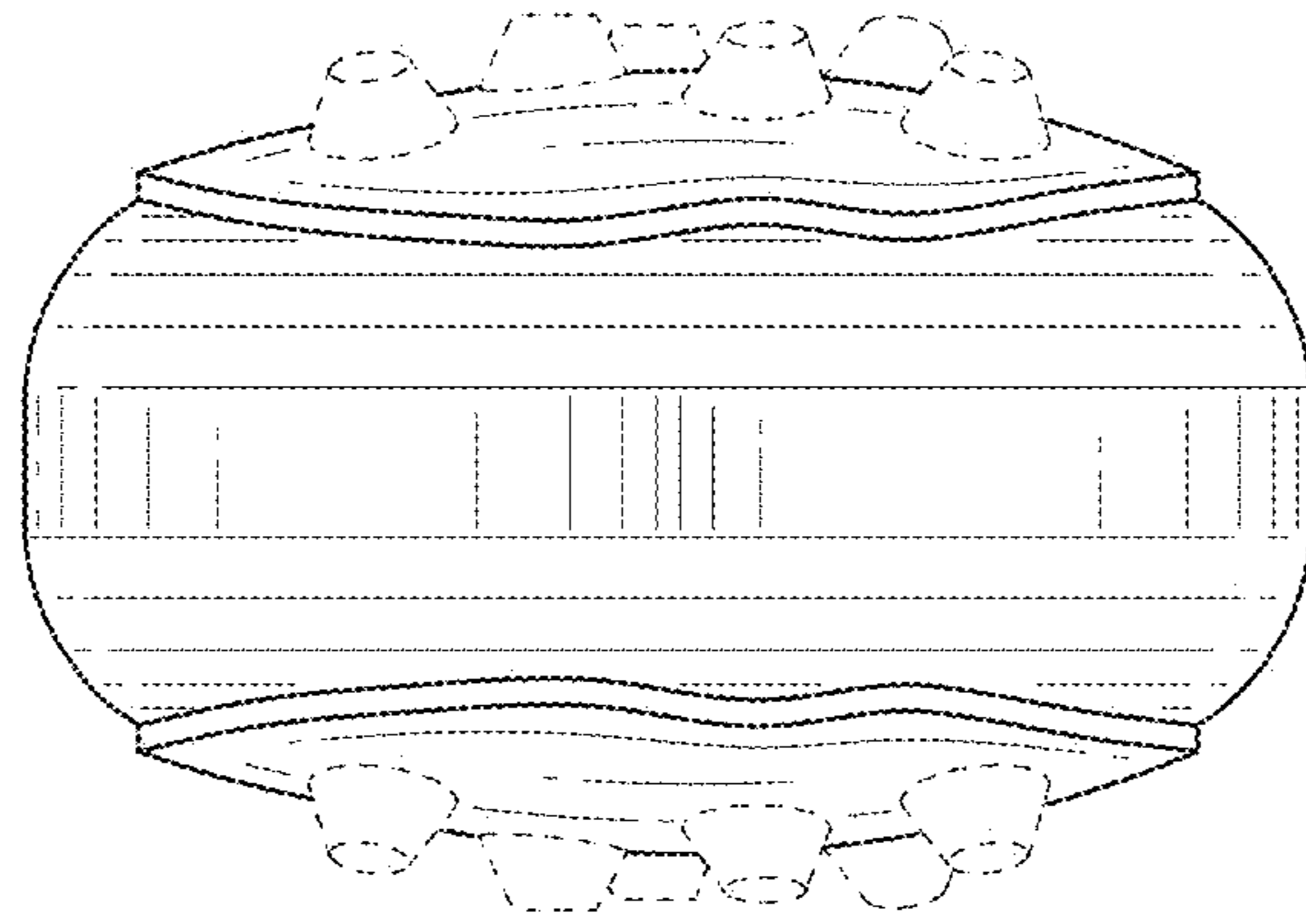


FIG. 6

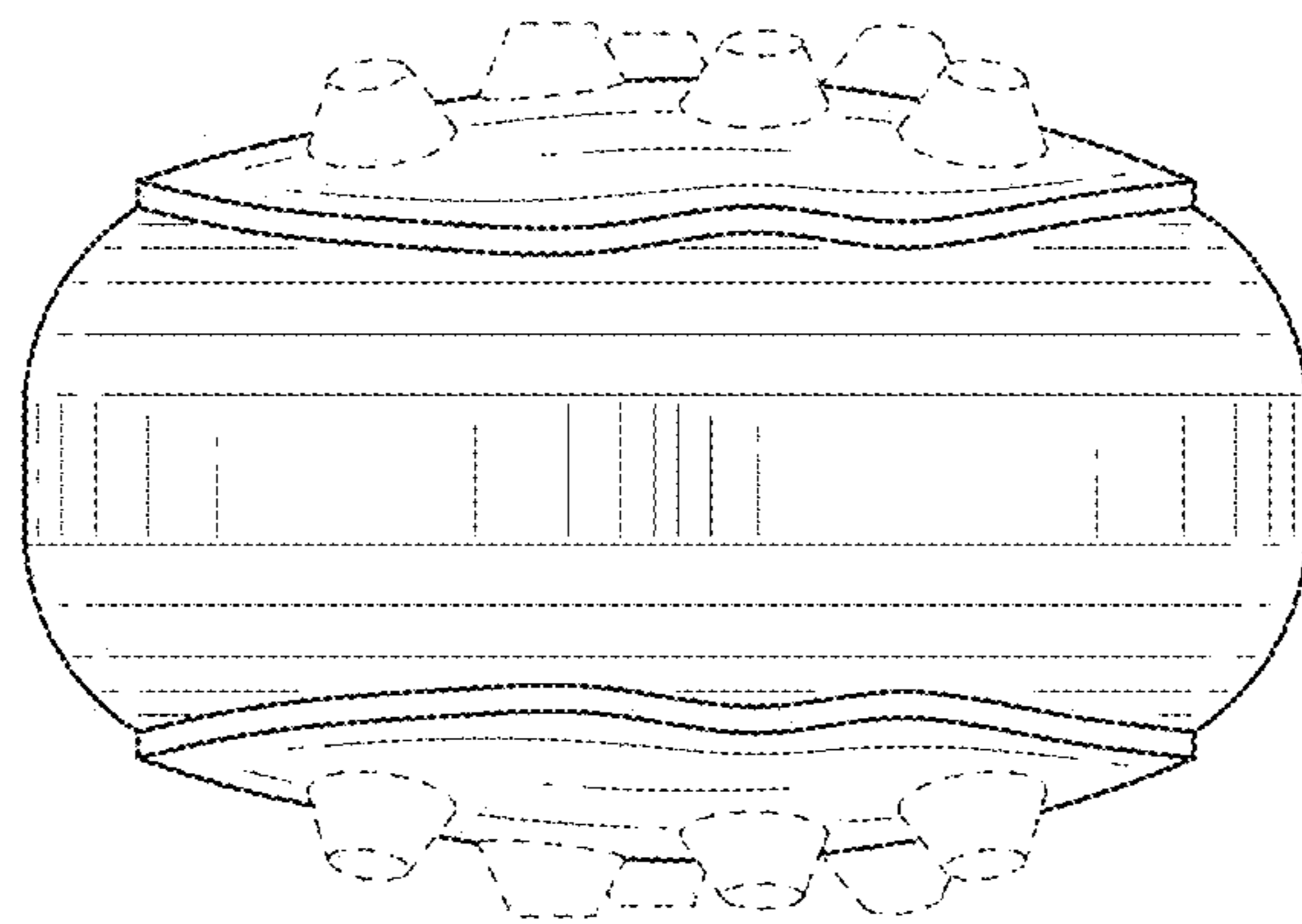


FIG. 7