



US00D872383S

(12) **United States Design Patent** (10) **Patent No.:** **US D872,383 S**
Darnell et al. (45) **Date of Patent:** **** Jan. 7, 2020**

(54) **ELECTRONIC PET COLLAR**
(71) Applicant: **SureFlap Ltd**, Cambridge, Cambridgeshire (GB)
(72) Inventors: **Ian Darnell**, Cambridge (GB); **Arnaud Arduini**, Metz (FR)
(73) Assignee: **SUREFLAP LTD**, Cambridge, Cambridgeshire (GB)
(**) Term: **15 Years**
(21) Appl. No.: **29/643,999**
(22) Filed: **Apr. 13, 2018**
(51) **LOC (12) Cl.** **30-04**
(52) **U.S. Cl.**
USPC **D30/152; D30/199**
(58) **Field of Classification Search**
USPC D30/144, 151, 152, 155, 199; D11/3; D10/104.1
CPC ... A01K 27/009; A01K 15/021; A01K 15/022
See application file for complete search history.

D674,808 S * 1/2013 Axelrod D11/3
D715,675 S * 10/2014 Ma D11/3
D740,150 S * 10/2015 Howsam D11/3
9,861,080 B1 * 1/2018 Hathway A01K 27/009
D812,499 S * 3/2018 Kuh D10/70
D816,080 S * 4/2018 Chen D14/344
(Continued)

OTHER PUBLICATIONS

“Pet Tracker, Hangang Pet GPS Tracker for Dog.” Found online May 8, 2019 at www.amazon.com. Product reviewed Sep. 10, 2018. Retrieved from URL: <https://tinyurl.com/y3du8ozh> (Year: 2018).*
(Continued)

Primary Examiner — Mary Ann Calabrese
Assistant Examiner — Katelin G Kloberg
(74) *Attorney, Agent, or Firm* — Knobbe, Martens, Olson & Bear LLP

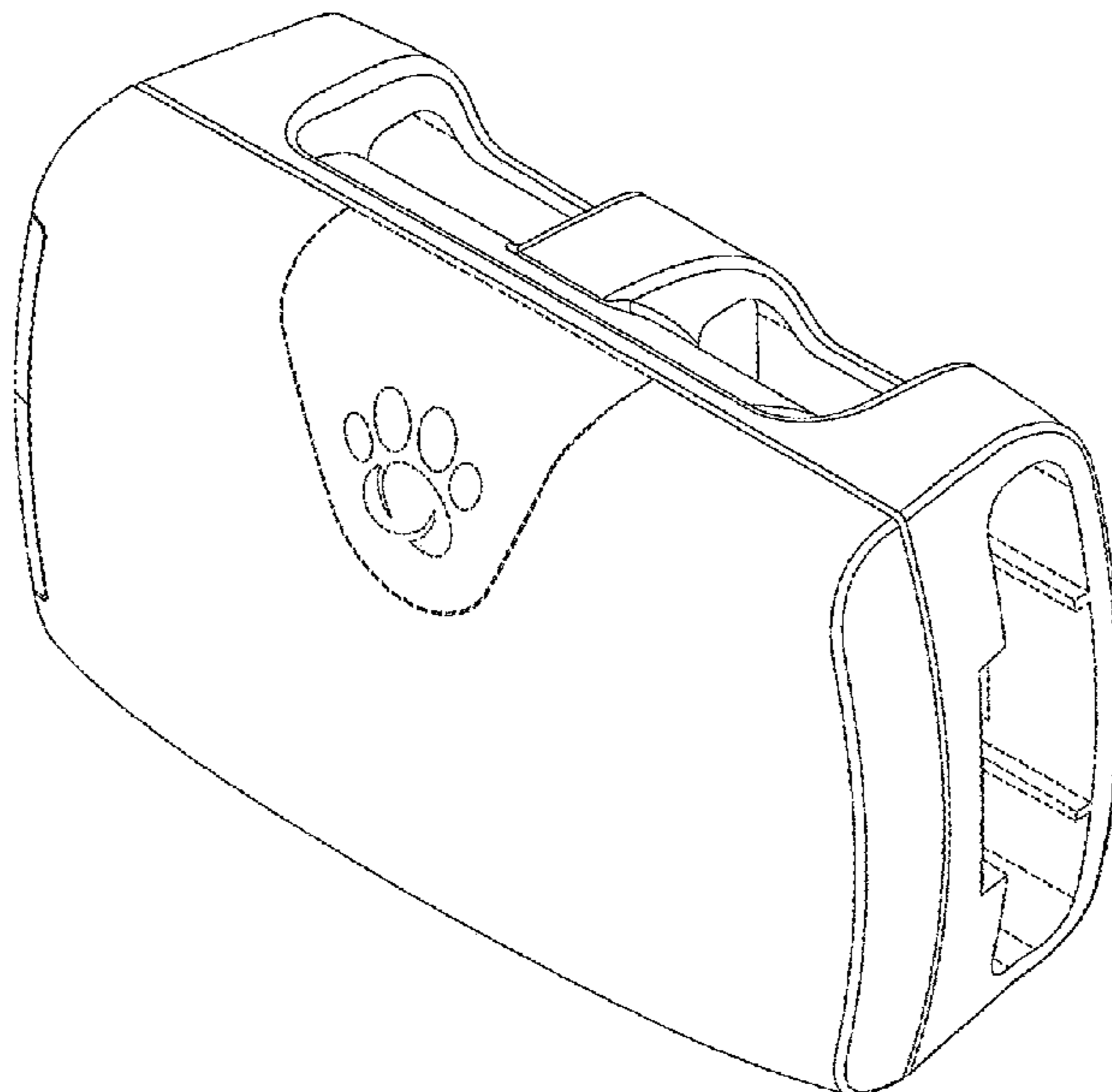
(57) **CLAIM**
The ornamental design for an electronic pet collar, as shown and described.

DESCRIPTION

FIG. 1 is a front elevation view of an electronic pet collar, showing our new design;
FIG. 2 is a rear elevation view thereof;
FIG. 3 is a right side elevation view thereof;
FIG. 4 is a left side elevation view thereof;
FIG. 5 is a top plan view thereof;
FIG. 6 is a bottom plan view thereof;
FIG. 7 is a top, front, left side perspective view thereof;
FIG. 8 is a top, rear, left side perspective view thereof;
FIG. 9 is a top, front, right side perspective view thereof;
FIG. 10 is a bottom, rear, left side perspective view thereof;
and,
FIG. 11 is a bottom, front, left side perspective view thereof.
The broken lines shown in the drawings depict portions of the article and form no part of the claimed design.

1 Claim, 6 Drawing Sheets

(56) **References Cited**
U.S. PATENT DOCUMENTS
5,785,010 A * 7/1998 Koch A01K 27/005
119/863
6,129,055 A * 10/2000 Hanada A01K 27/001
119/863
D455,968 S * 4/2002 Lassigne D10/32
7,382,328 B2 * 6/2008 Lee, IV A01K 27/009
343/718
7,515,053 B2 * 4/2009 Klein A01K 11/006
340/571
D609,408 S * 2/2010 Labelson D30/152
D637,365 S * 5/2011 Li D30/155
D665,952 S * 8/2012 Guo D30/152
D673,334 S * 12/2012 Guo D30/152



(56)

References Cited

U.S. PATENT DOCUMENTS

D822,915 S * 7/2018 McKee D30/152
D835,533 S * 12/2018 Zheng D10/70
2003/0217703 A1 * 11/2003 Kiss A46B 5/00
119/863
2005/0242137 A1 * 11/2005 Fishman A01K 11/00
224/221
2007/0227465 A1 * 10/2007 Gerig A01K 15/021
119/859
2008/0061990 A1 * 3/2008 Milnes A01K 15/023
340/573.1
2009/0038670 A1 * 2/2009 Shu A01K 15/023
136/244
2010/0162966 A1 * 7/2010 McFarland A01K 27/004
119/794
2014/0261233 A1 * 9/2014 So A01K 27/009
119/720
2015/0342147 A1 * 12/2015 Cheng A01K 27/001
119/863

OTHER PUBLICATIONS

“Black+Decker Smart Dog Collar.” Found online May 8, 2019 at www.amazon.com. Product reviewed Jun. 13, 2018. Retrieved from URL: <https://tinyurl.com/y6afqeax> (Year: 2018).*

“A+ Trainer Intelligent Dog No Bark Collars.” Found online May 8, 2019 at www.amazon.com. Product reviewed Mar. 12, 2019. Retrieved from URL: <https://tinyurl.com/y625ftss> (Year: 2019).*

“Chauder Anti-Bark Collar for Small Dog Large Dog.” Found online May 8, 2019 at www.amazon.com. Product reviewed Jan. 11, 2019. Retrieved from URL: <https://tinyurl.com/y2l8h2q5> (Year: 2019).*

* cited by examiner

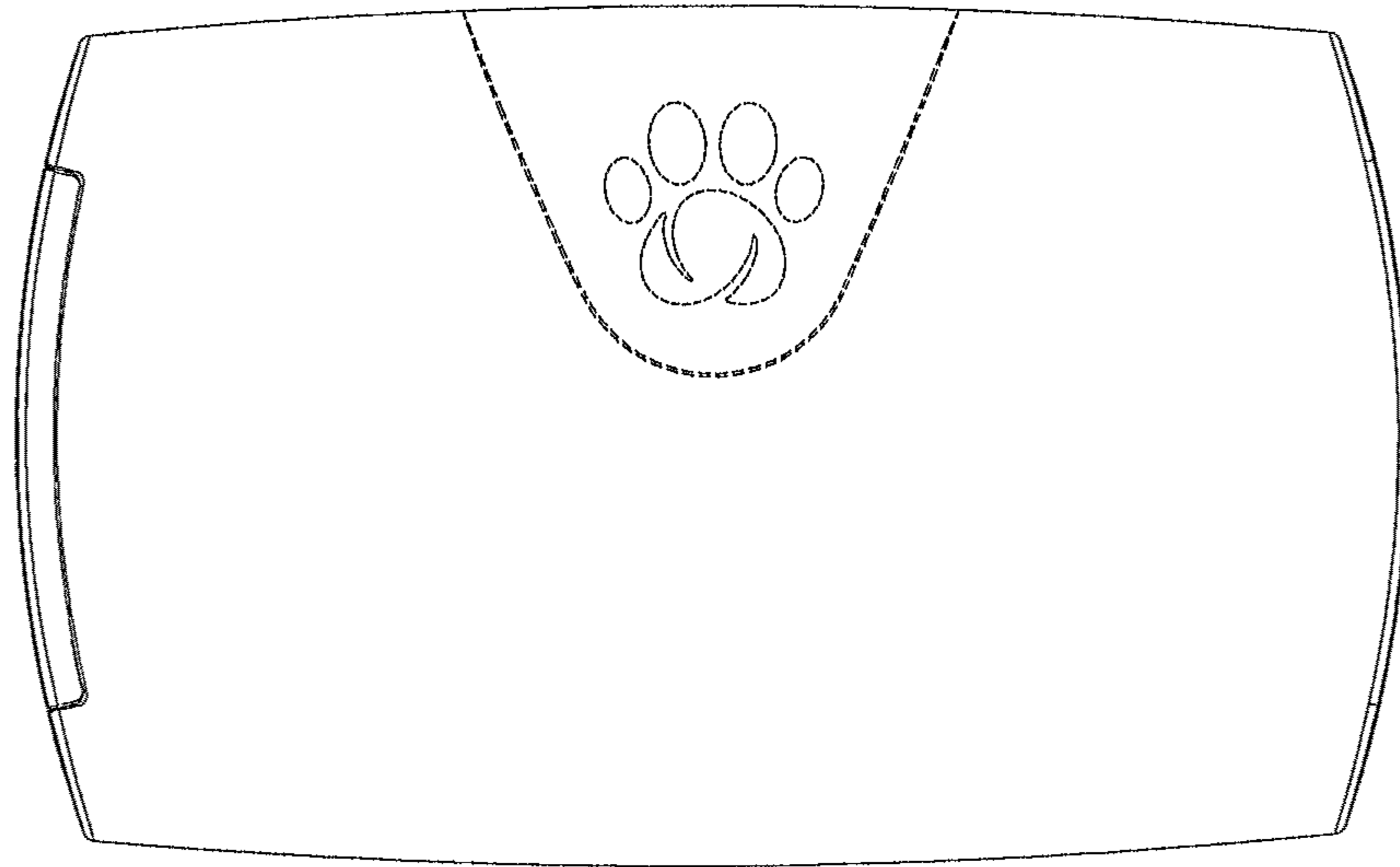


FIG. 1

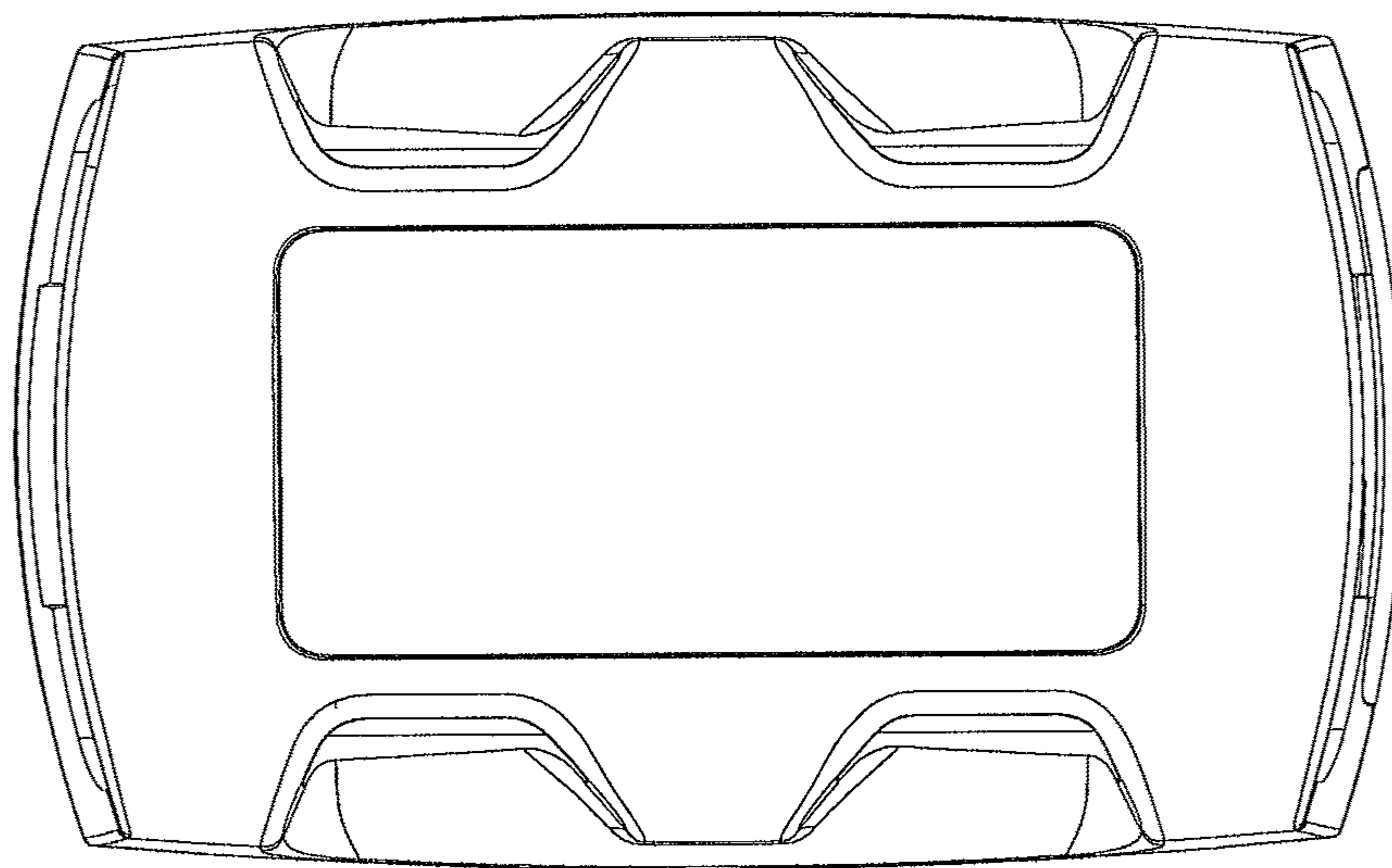


FIG. 2

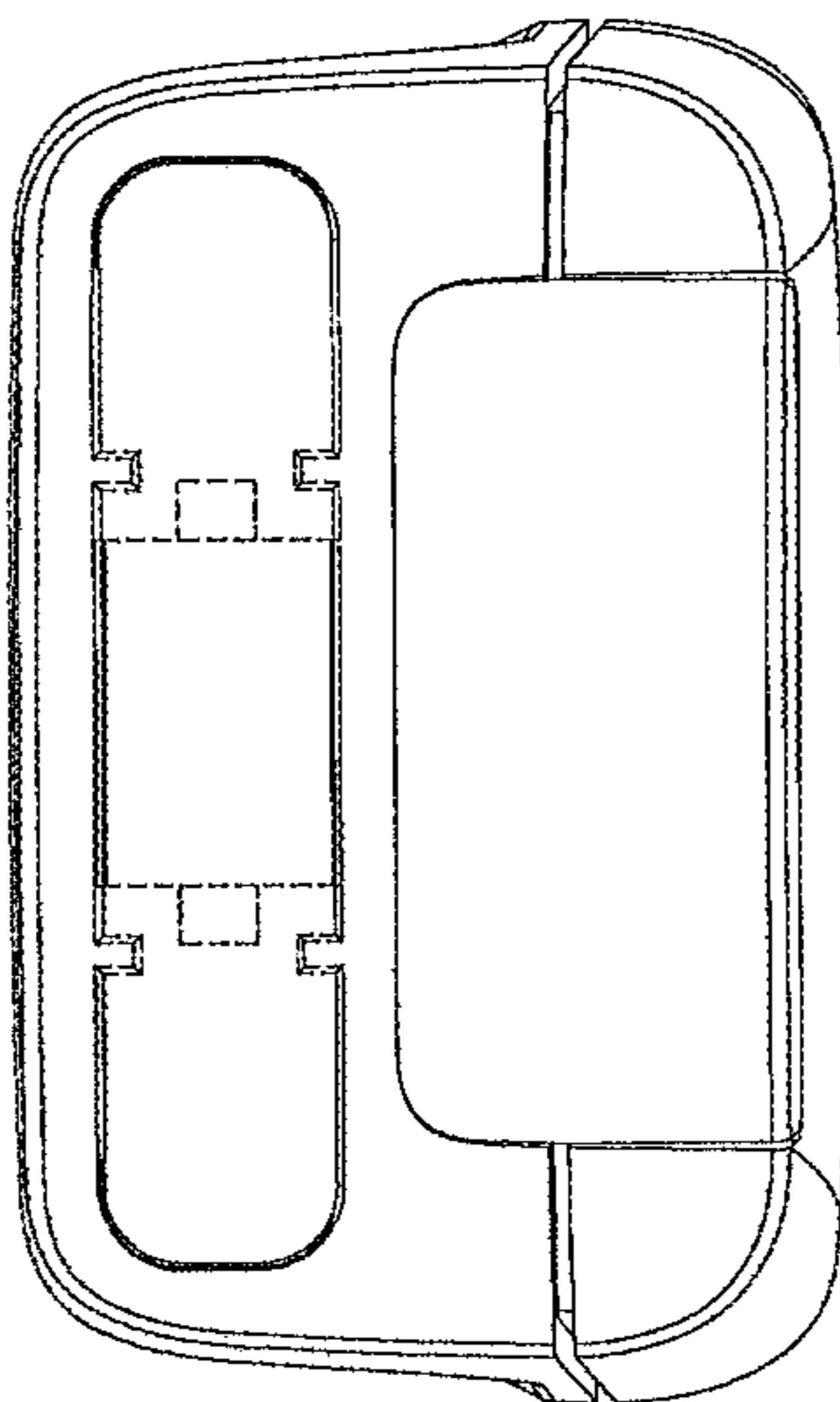


FIG. 3

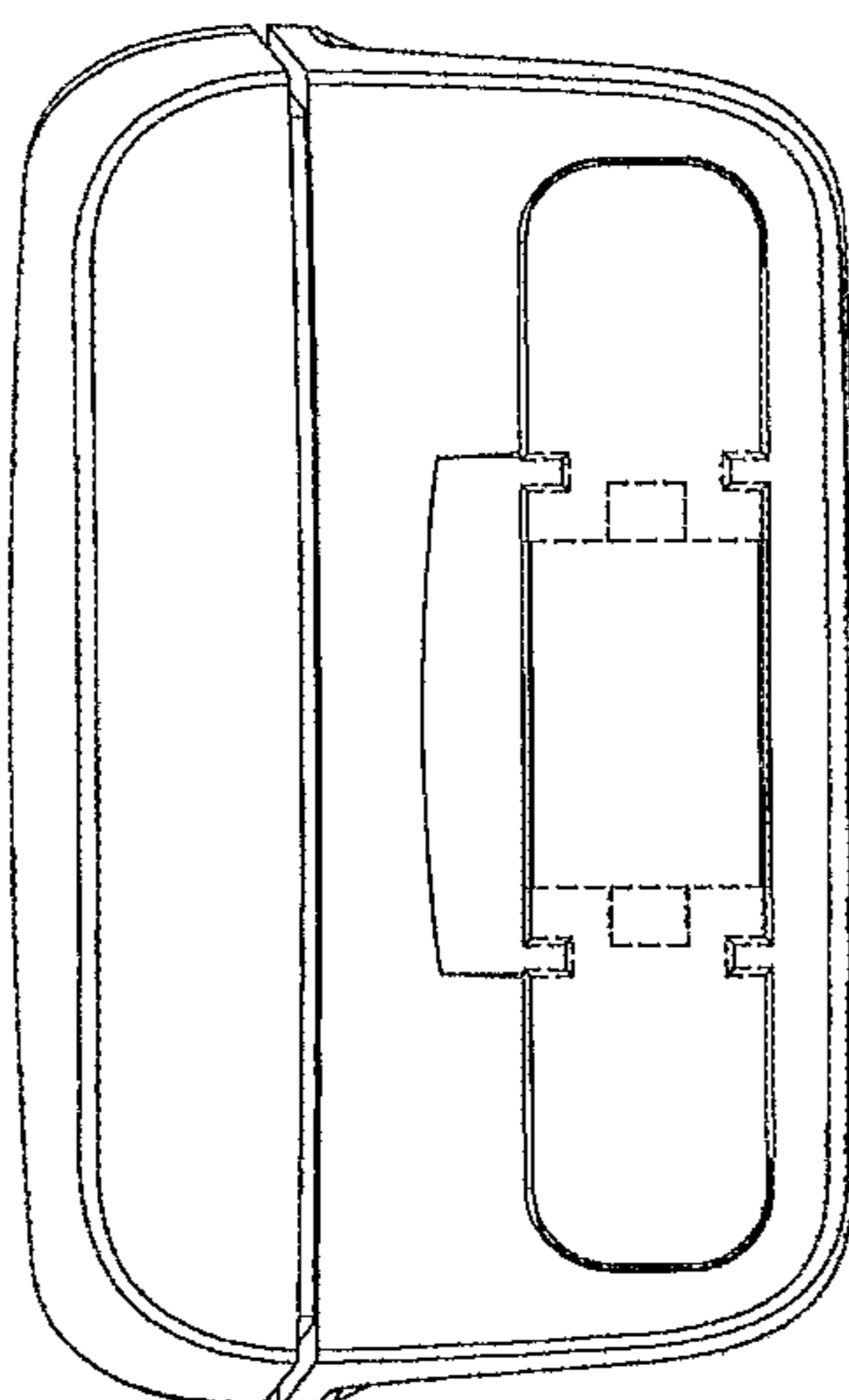


FIG. 4

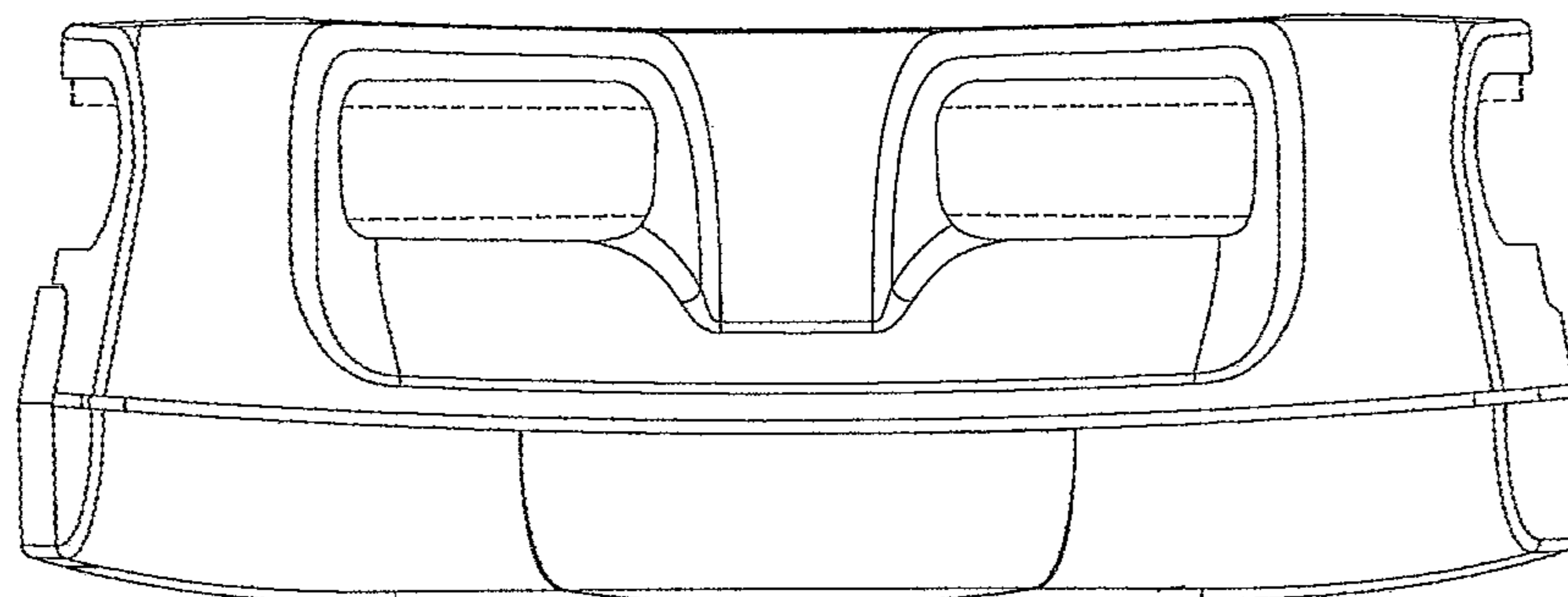


FIG. 5

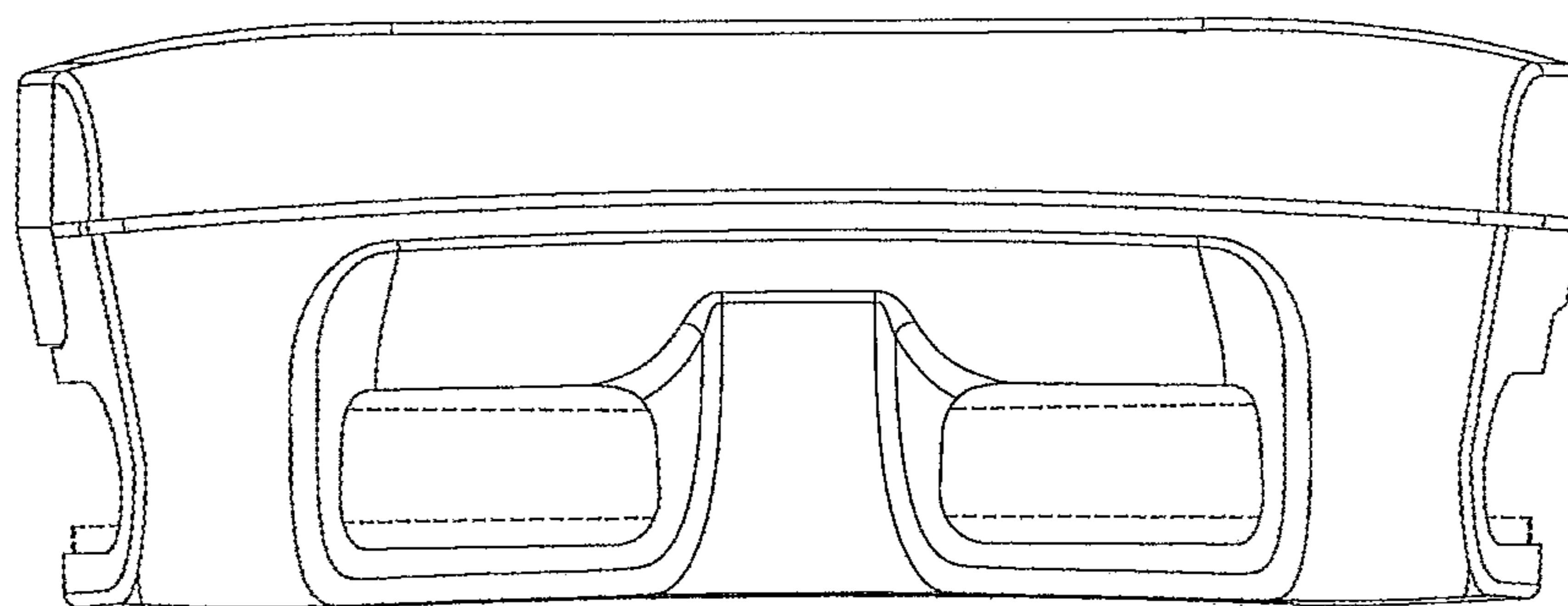


FIG. 6

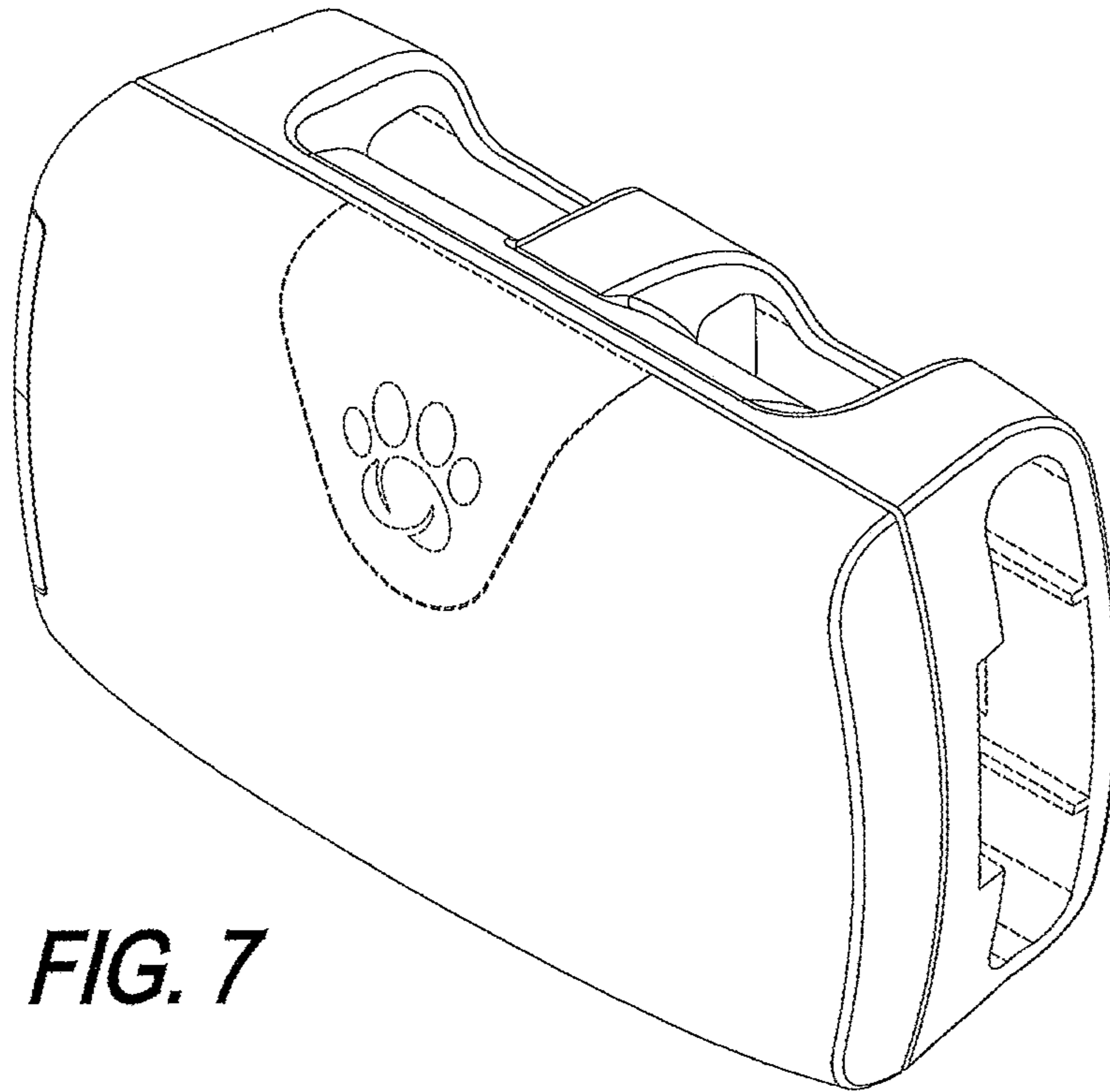


FIG. 7

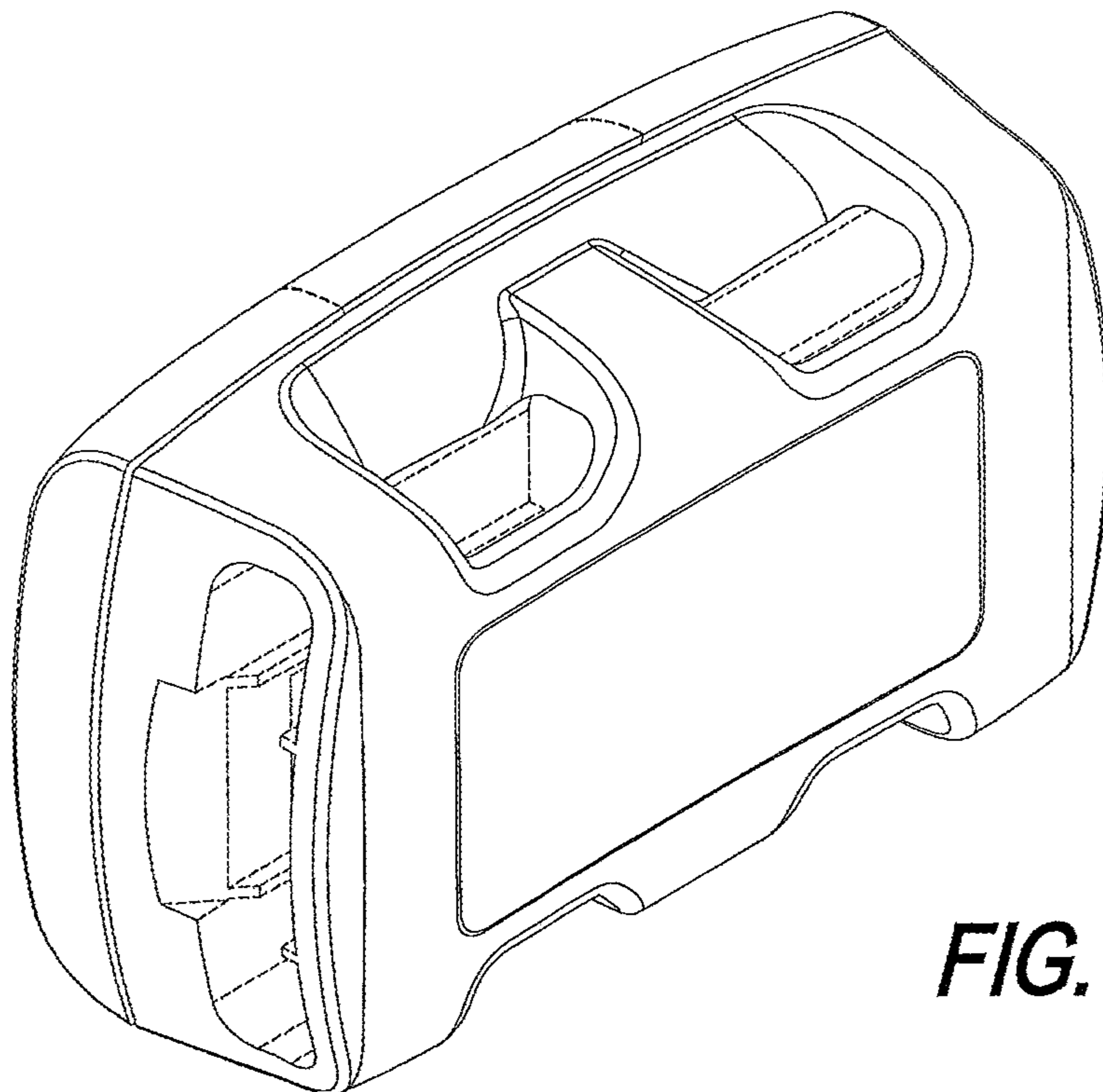


FIG. 8

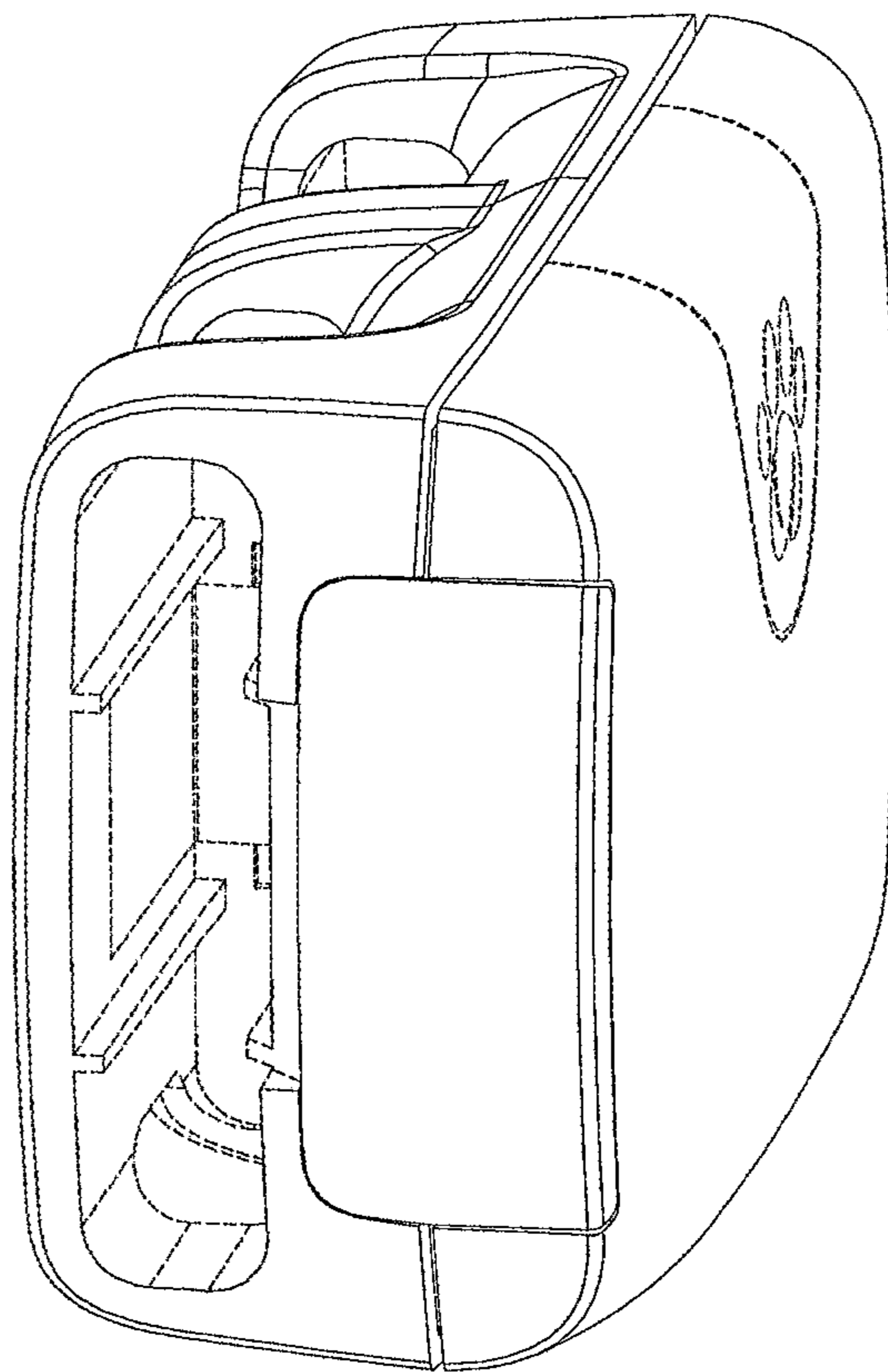


FIG. 9

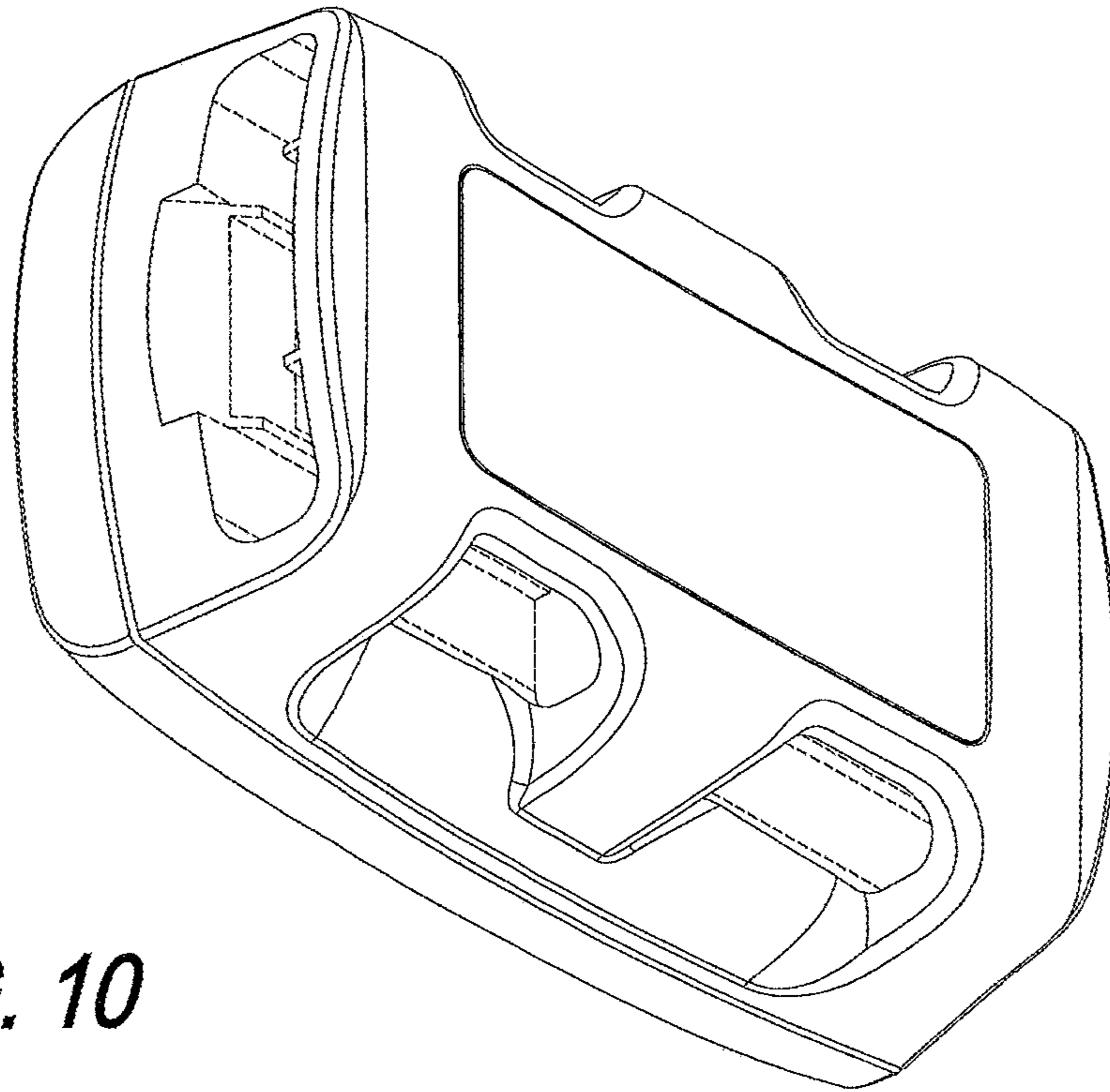


FIG. 10

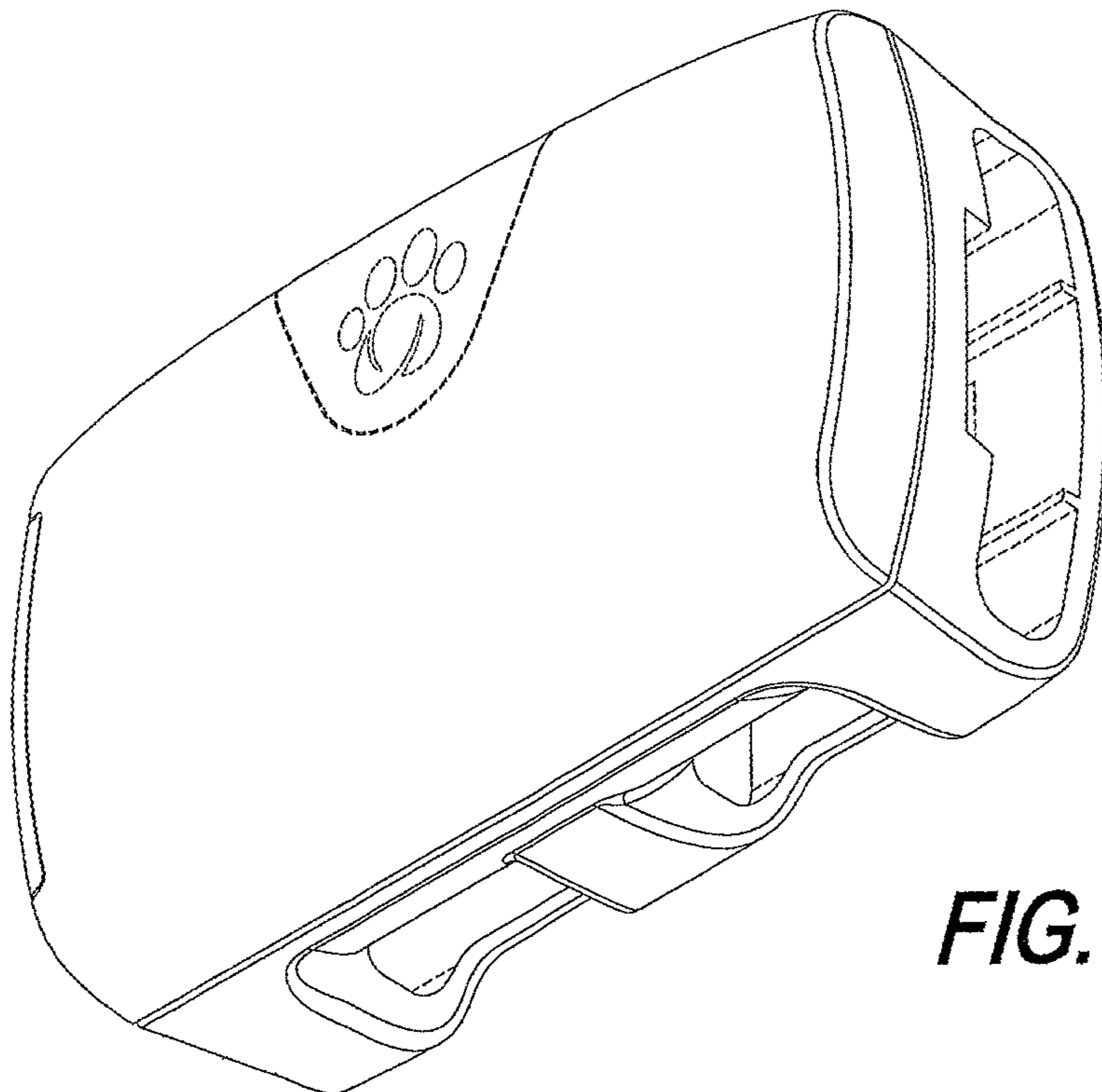


FIG. 11