



US00D872381S

(12) **United States Design Patent** (10) **Patent No.:** **US D872,381 S**
Lee (45) **Date of Patent:** **** Jan. 7, 2020**

(54) **PET WATER DISPENSER**

(71) Applicants: **Ming-Yu Lee**, Kee Long (TW); **Shu Zhou**, Lianyuan (CN)

(72) Inventor: **Ming-Yu Lee**, Kee Long (TW)

(73) Assignees: **Ming-Yu Lee**, Kee Long (TW); **Shu Zhou**, Lianyuan (CN)

(**) Term: **15 Years**

(21) Appl. No.: **29/700,041**

(22) Filed: **Jul. 31, 2019**

(51) **LOC (12) Cl.** **30-03**

(52) **U.S. Cl.**
USPC **D30/132**

(58) **Field of Classification Search**

USPC D30/123, 129, 132, 121; 119/69.5, 673, 119/57.8, 68, 74, 61.57, 78-81, 61.4, 119/57.9, 51.5, 61.5, 72, 475; 47/66.6, 47/39, 67, 83; 239/280, 200, 281, 280.5, 239/273, 16-32; 4/644, 627, 638; D7/558; D11/144, 145, 153; D99/5, 24; 27/1; D23/201, 292, 204, 205, 214-216; 248/127, 132, 137, 138, 158, 910; 215/10; D6/353, 352, 484, 360, 480, D6/488; 219/521; 329/442, 459; 99/452, 483; 40/406, 407; 261/29, 106, 261/73; 137/560, 563, 801; 55/385.2; 417/527, 313; 431/292-294, 289; 362/101; D26/6, 9

CPC ... A01K 7/00; A01K 7/02; A01K 7/06; A01K 7/04; A01K 7/005; A01K 7/022; A01K 7/025; A01K 7/027; A01K 5/0216; A01K 39/02; F04B 23/00; F04B 23/02; F04B 23/021; F04B 23/026; B05B 17/08; B05B 17/085; B01D 35/30; Y10T 137/86035; Y10T 137/8376; Y10T 137/85954-85978

See application file for complete search history.

(56) **References Cited**

U.S. PATENT DOCUMENTS

1,226,594 A * 5/1917 Pruefert A01K 39/026
119/77
1,785,921 A * 12/1930 Thompson A01K 39/026
119/77
2,103,653 A * 12/1937 Weil B05B 17/085
239/23
D126,997 S * 5/1941 Bentzen et al. D30/129
D130,080 S * 10/1941 Wynkoop D7/553.6
2,572,379 A * 10/1951 Pearse F21S 8/00
239/20
3,203,397 A * 8/1965 Henry A01K 39/012
119/53
4,991,345 A * 2/1991 Bloch A01G 27/00
47/65.5
D374,952 S * 10/1996 Wenstrand D30/132
D394,301 S * 5/1998 Fisher D23/201

(Continued)

Primary Examiner — Susan Moon Lee

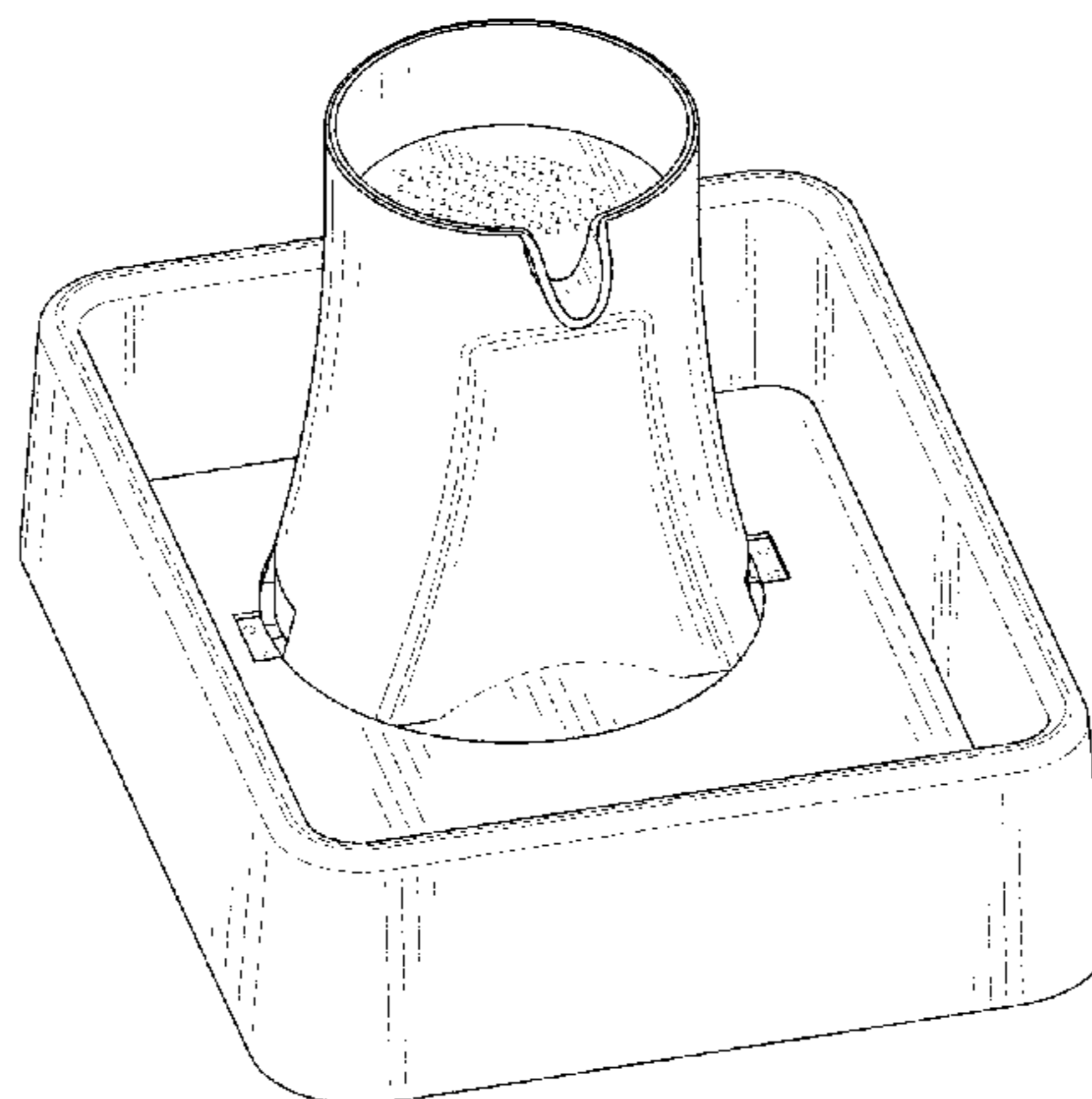
(57) **CLAIM**

The ornamental design for a pet water dispenser, as shown and described.

DESCRIPTION

FIG. 1 is a top perspective view of a pet water dispenser showing my new design;
 FIG. 2 is a bottom perspective view thereof;
 FIG. 3 is a front view thereof;
 FIG. 4 is a back view thereof;
 FIG. 5 is a left side view thereof;
 FIG. 6 is a right side view thereof;
 FIG. 7 is a top view thereof; and,
 FIG. 8 is a bottom view thereof.
 Broken lines and unshaded portions contained within broken lines depict unclaimed features of the pet water dispenser that form no part of the design claim but are shown for illustrative purposes.

1 Claim, 8 Drawing Sheets



(56)

References Cited

U.S. PATENT DOCUMENTS

D402,425 S * 12/1998 Lacz D30/121
 D412,297 S * 7/1999 Roach D11/152
 6,079,361 A * 6/2000 Bowell A01K 7/02
 119/52.1
 6,142,099 A * 11/2000 Lange, Jr. A01K 5/0142
 119/51.5
 6,192,792 B1 * 2/2001 Gremillion A47J 43/18
 99/347
 D441,315 S * 5/2001 Huffman D11/143
 D444,676 S * 7/2001 Murphy D7/553.6
 D457,692 S 5/2002 Skurdalsvold
 D587,529 S * 3/2009 Pratt D7/553.8
 D681,887 S * 5/2013 Fang D30/132
 D681,888 S * 5/2013 Fang D30/132
 D689,245 S * 9/2013 Rowe D30/132
 D694,477 S * 11/2013 Rowe D30/132
 D704,389 S * 5/2014 Fang D30/132
 D704,390 S * 5/2014 Tan D30/132
 D704,392 S * 5/2014 Fang D30/132
 D704,903 S * 5/2014 Fang D30/132

D733,366 S * 6/2015 Poisson D30/132
 D738,579 S * 9/2015 Owens D30/132
 D764,117 S * 8/2016 Fang D30/132
 D801,595 S * 10/2017 Oates D30/132
 D819,898 S * 6/2018 Poisson D30/132
 D820,534 S * 6/2018 Huang D30/132
 D856,605 S * 8/2019 He D30/132
 D856,606 S * 8/2019 He D30/132
 2004/0200359 A1 * 10/2004 Snider A47J 27/04
 99/446
 2006/0174838 A1 * 8/2006 Plante A01K 7/02
 119/74
 2010/0050950 A1 * 3/2010 Graves A01K 7/005
 119/81
 2011/0067638 A1 * 3/2011 Lipscomb A01K 7/02
 119/74
 2015/0230638 A1 * 8/2015 Jagger A47G 19/10
 220/574
 2017/0245465 A1 * 8/2017 Oates B65D 21/0234
 2019/0208745 A1 * 7/2019 Milsom A01K 7/022
 2019/0239475 A1 * 8/2019 He A01K 7/005
 2019/0239476 A1 * 8/2019 Mai A01K 7/02

* cited by examiner

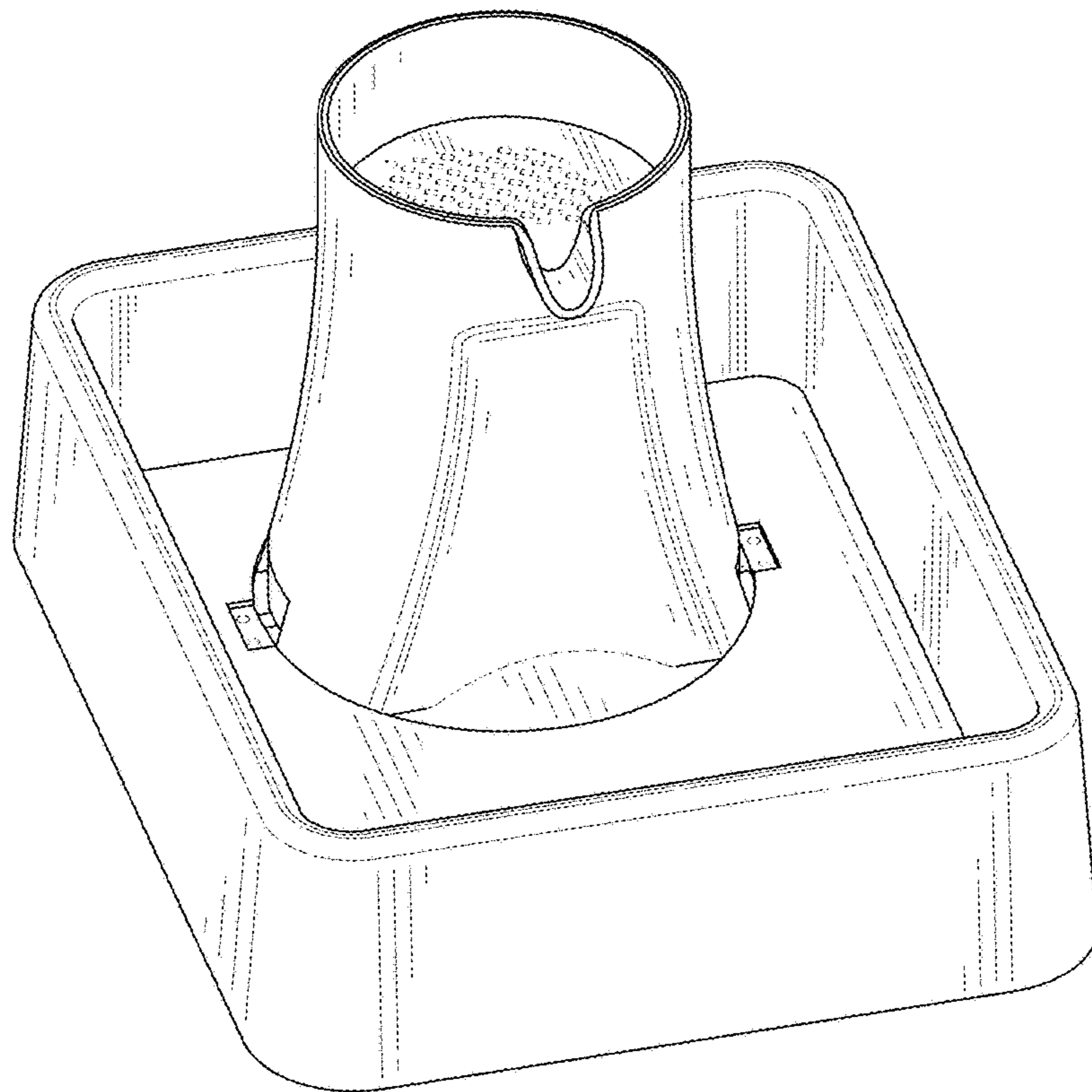


FIG. 1

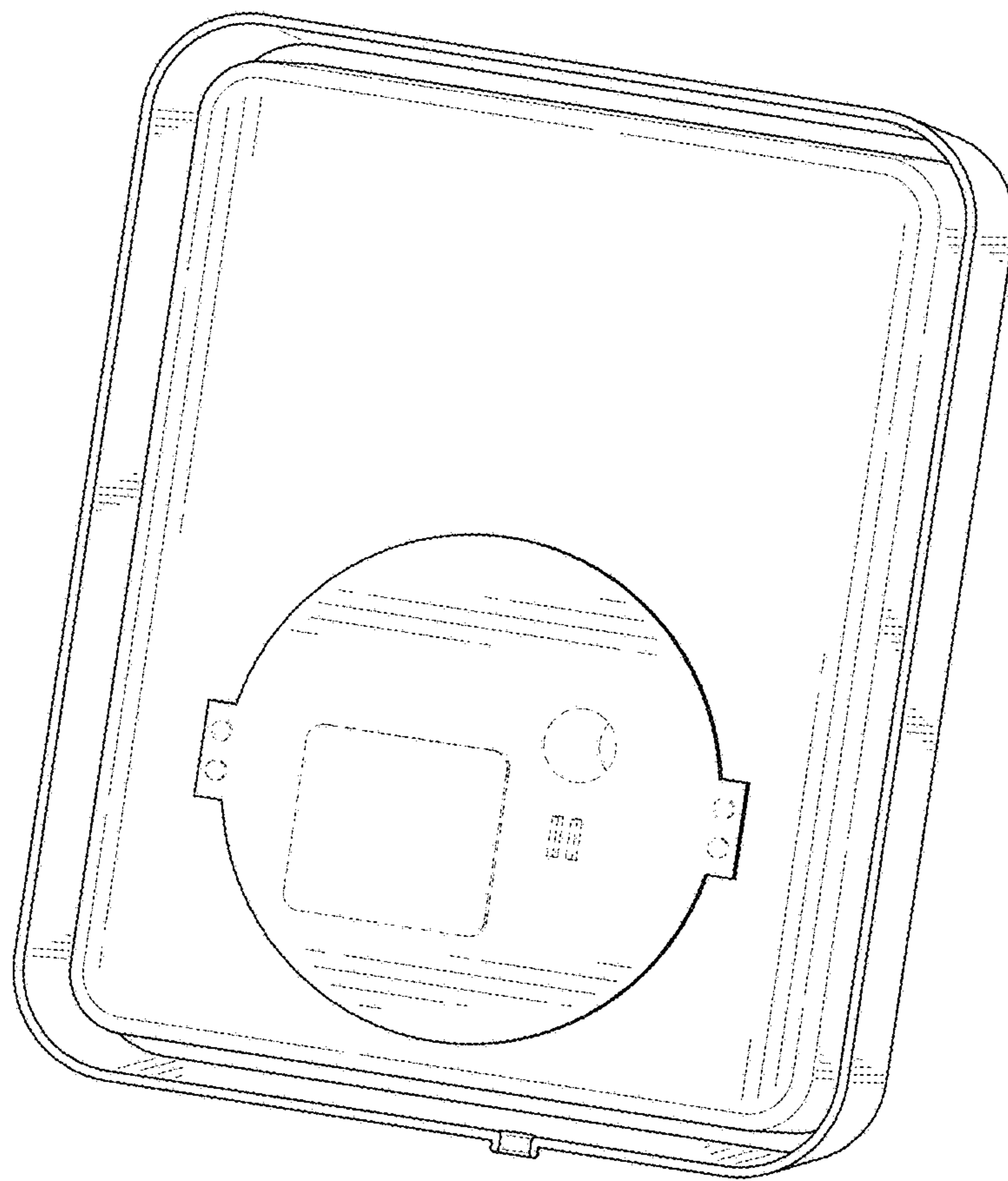


FIG. 2

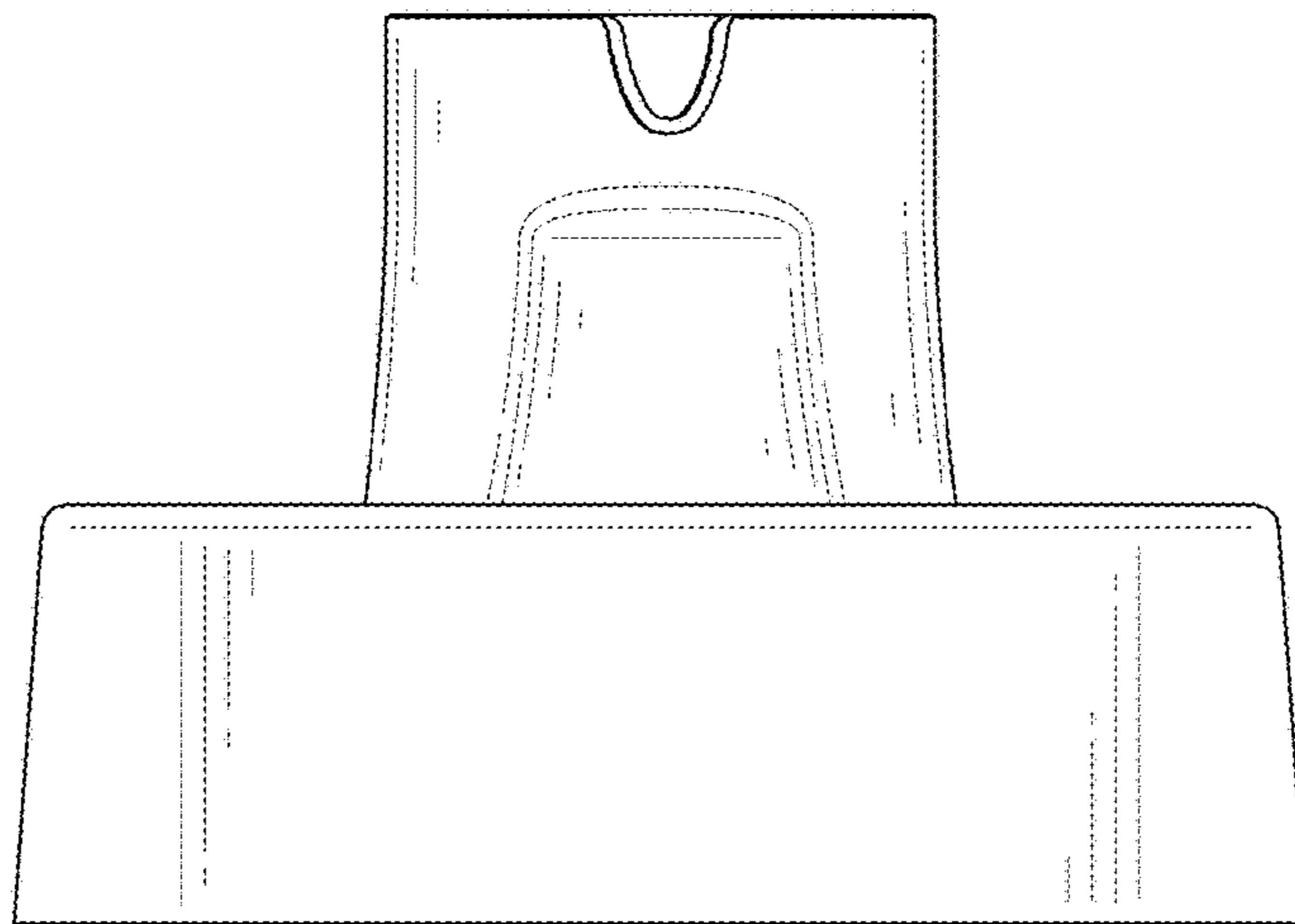


FIG. 3

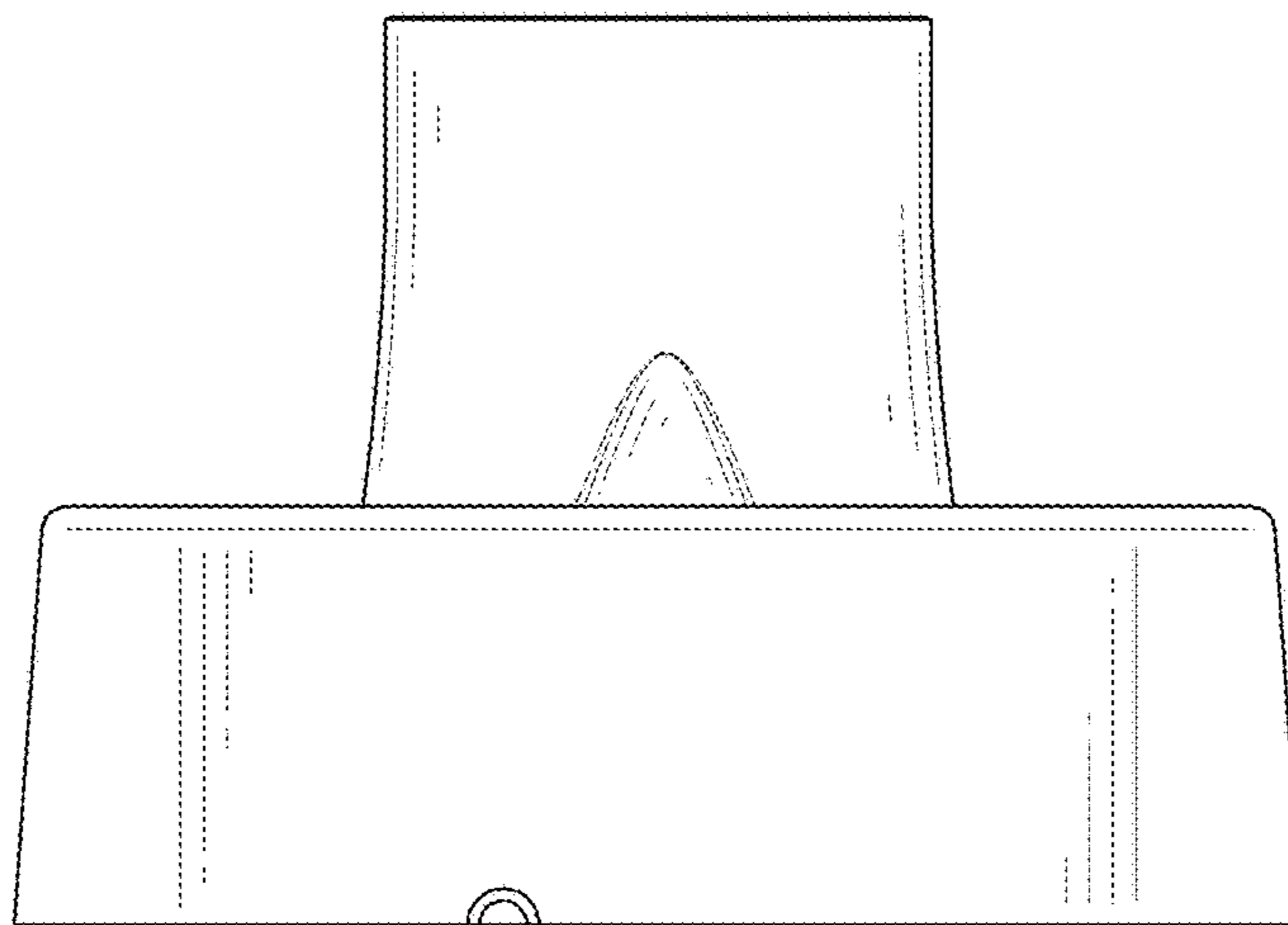


FIG. 4

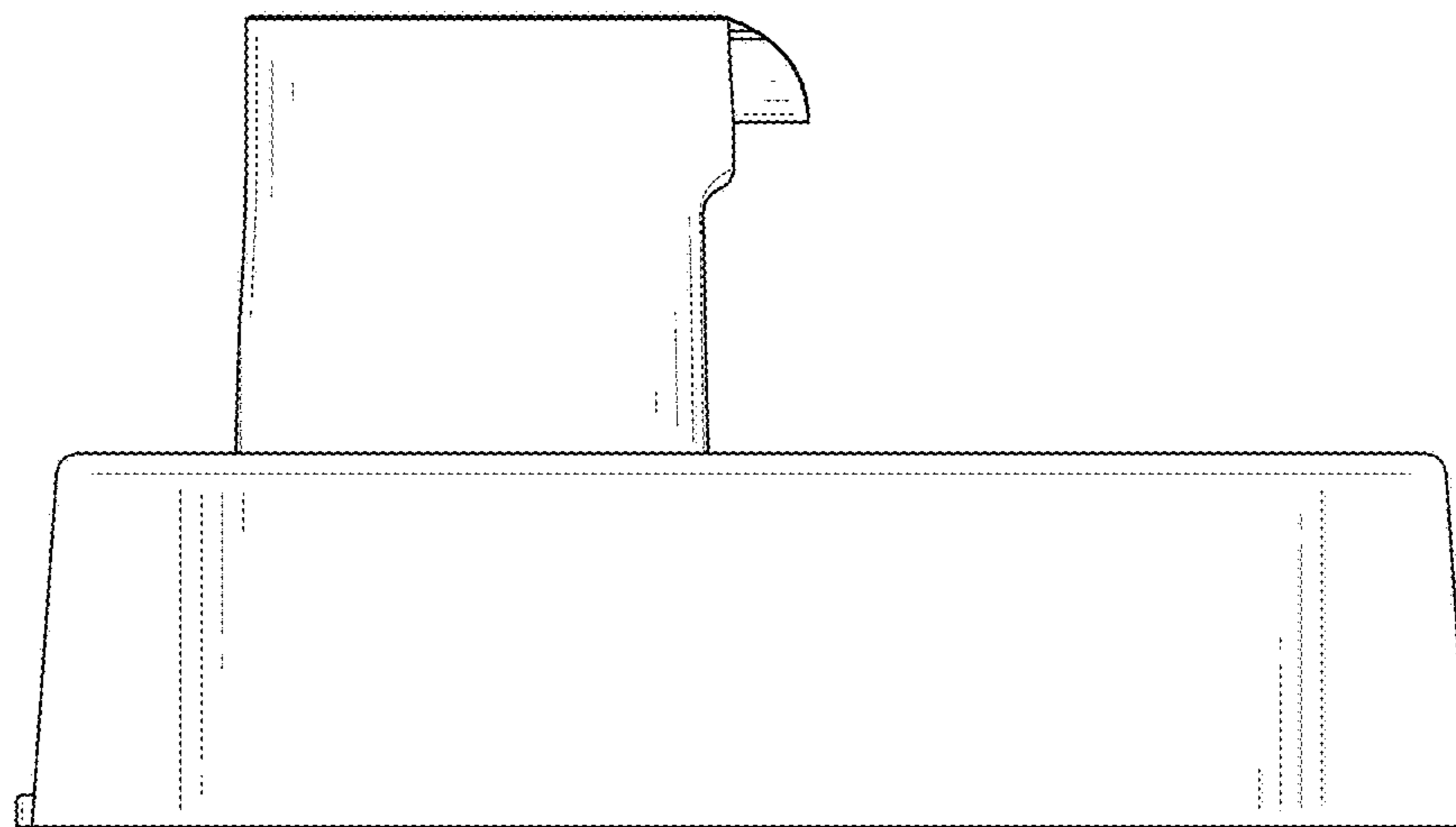


FIG. 5

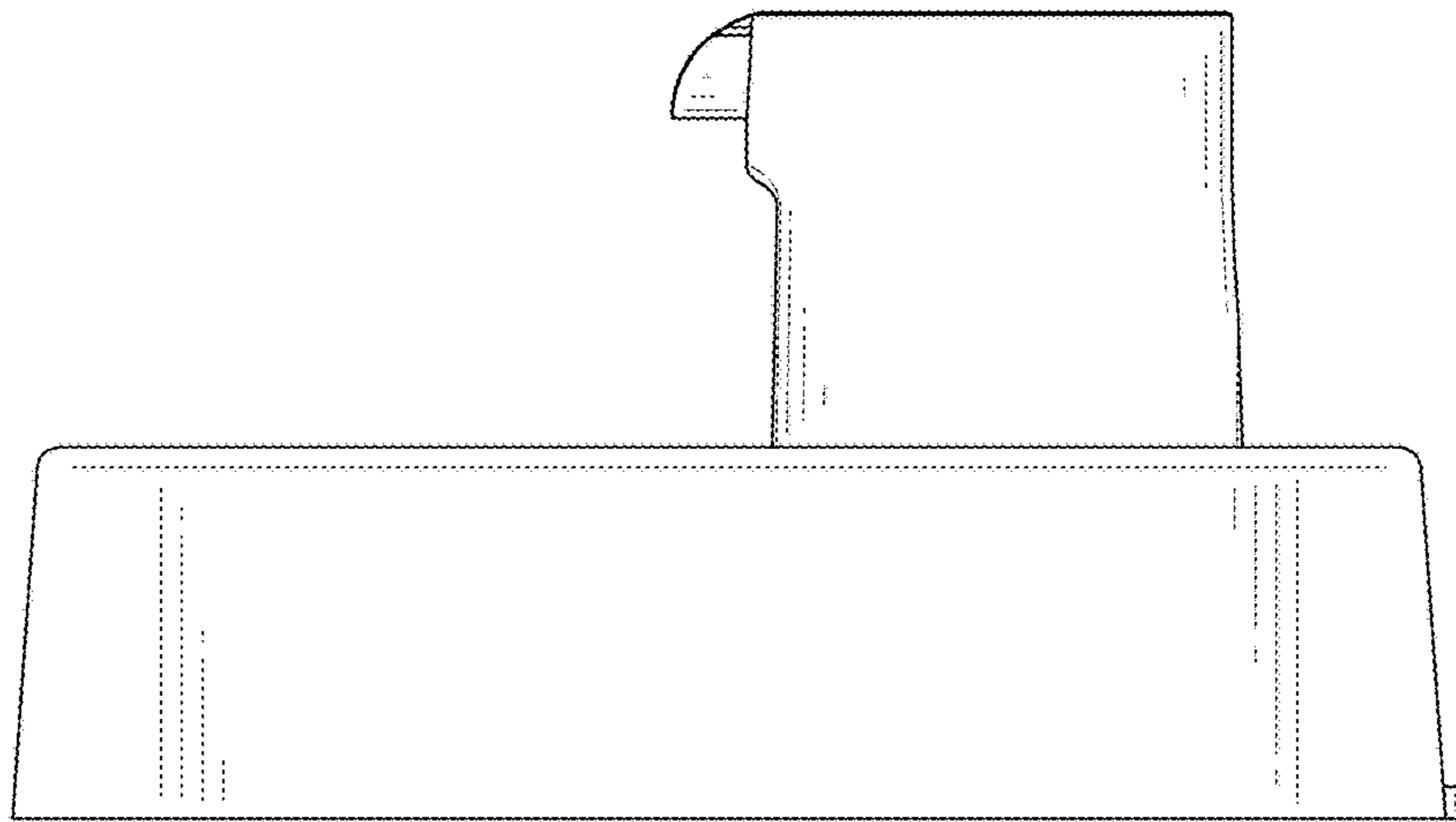


FIG. 6

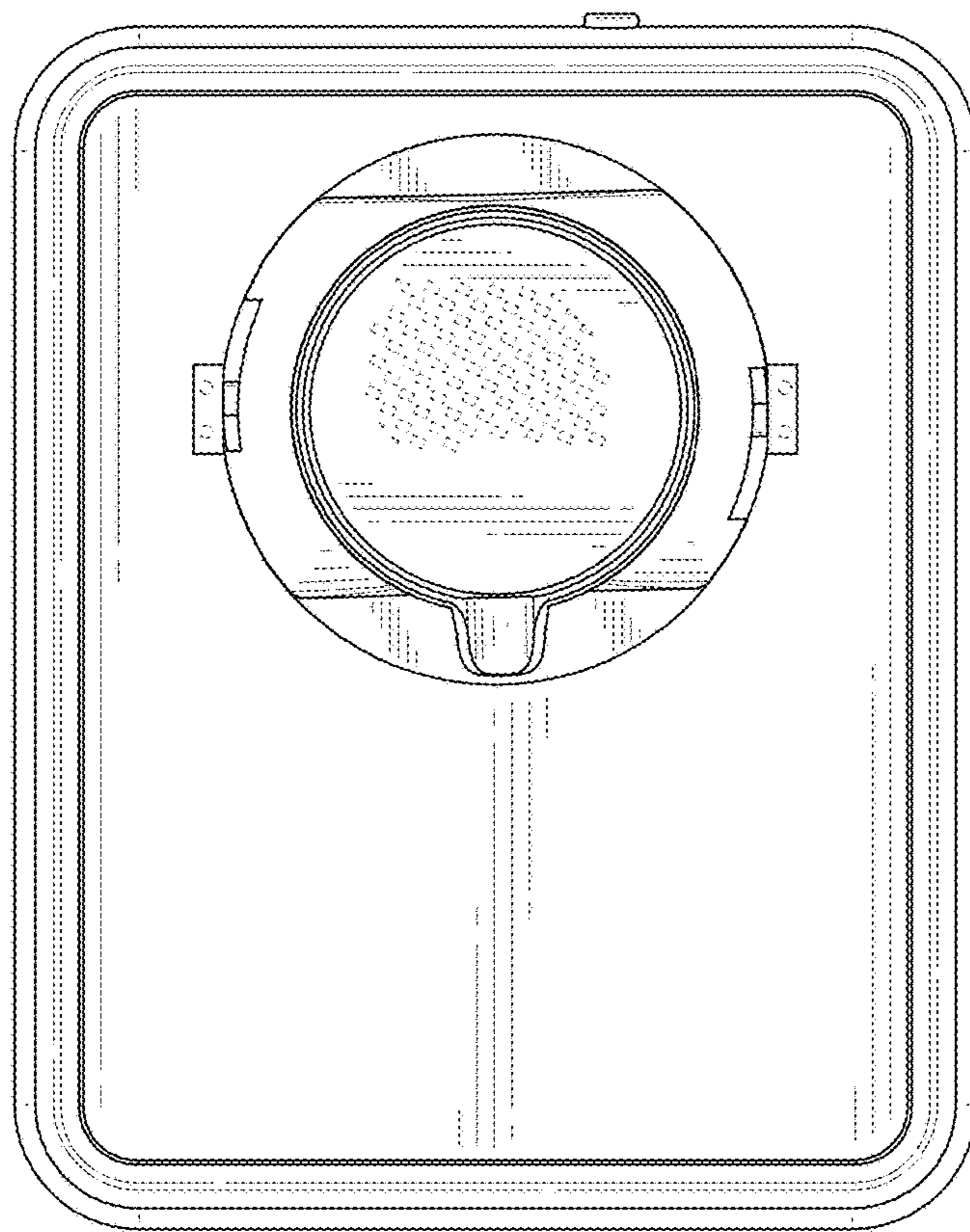


FIG. 7

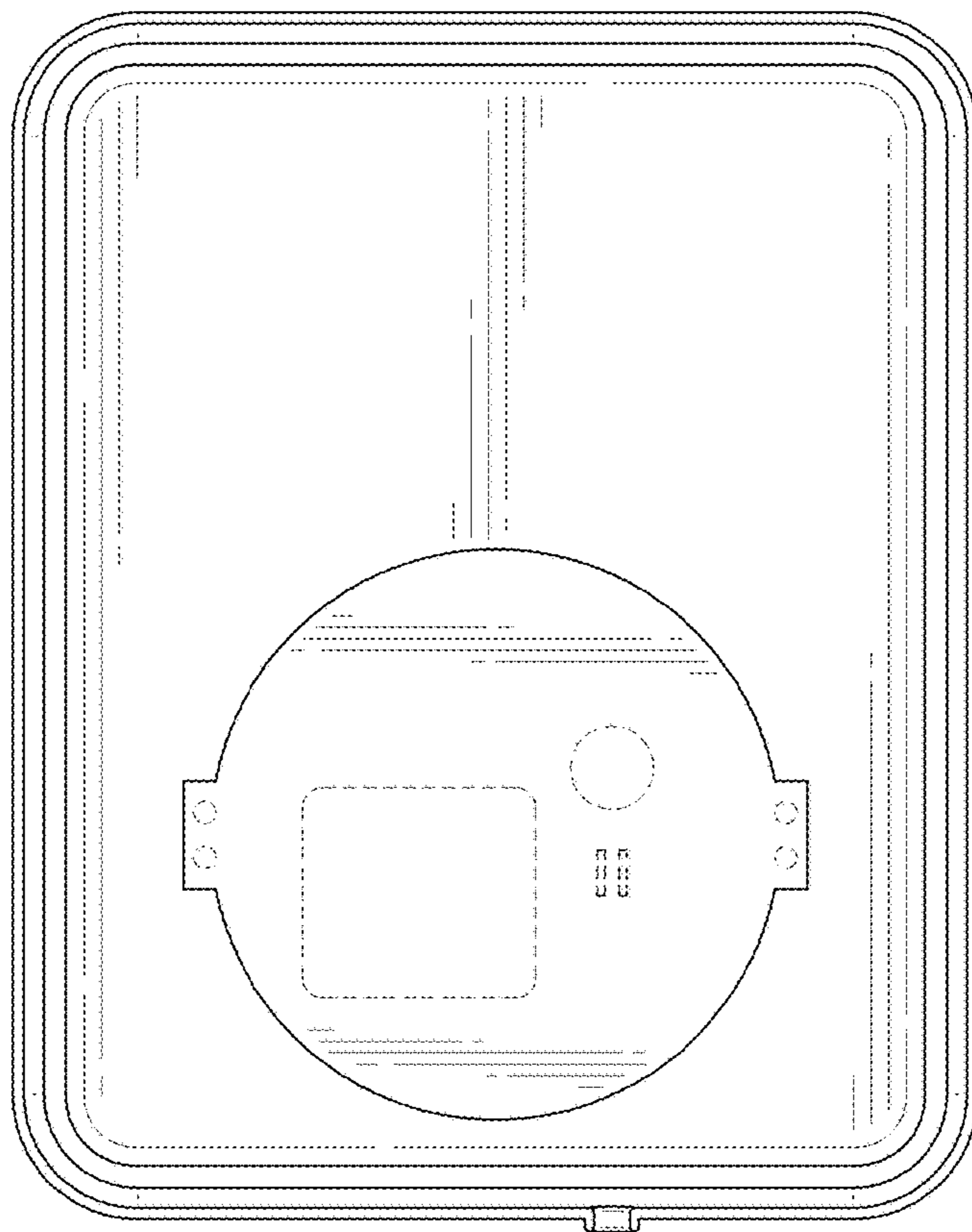


FIG. 8