



US00D872376S

(12) **United States Design Patent**
Tamulewicz et al.

(10) **Patent No.:** **US D872,376 S**
(45) **Date of Patent:** **** Jan. 7, 2020**

(54) **SMALL ANIMAL HABITAT ACCESSORY**

(71) Applicant: **PetSmart Home Office, Inc.**, Phoenix, AZ (US)

(72) Inventors: **Paul Tamulewicz**, Glendale, AZ (US);
Jeffrey Stocker Watson, Phoenix, AZ (US)

(73) Assignee: **PETSMART HOME OFFICE, INC.**, Phoenix, AZ (US)

(**) Term: **15 Years**

(21) Appl. No.: **29/664,978**

(22) Filed: **Sep. 28, 2018**

(51) **LOC (12) Cl.** **30-01**

(52) **U.S. Cl.**
USPC **D30/118**

(58) **Field of Classification Search**
USPC D30/108–119, 160, 161, 199; D21/424,
D21/433, 451, 452, 453, 454, 455, 465,
D21/483, 506, 507, 508, 510, 548, 549
CPC A01K 1/0245; A01K 1/00; A01K 1/02;
A01K 1/03; A01K 1/031
See application file for complete search history.

(56) **References Cited**

U.S. PATENT DOCUMENTS

6,044,799 A * 4/2000 Tominaga A01K 1/03
119/452
D443,956 S * 6/2001 Rudnick D30/108
D652,997 S * 1/2012 Collins D30/108

OTHER PUBLICATIONS

“Bad Cage Review Tiny Tales Country Barn” (via YouTube), available Jun. 3, 2019, [online], [site visited Aug. 10, 2019].

Retrieved from Internet, URL:https://www.youtube.com/watch?v=84Oeb-sKKM0 (Year: 2019).*

“Kaytee Barn Habitat with Silo 30 X 18 100516381” available Aug. 10, 2019, [online], [site visited Aug. 10, 2019]. Retrieved from Internet, URL:https://www.ruralking.com/kaytee-barn-habitat-with-silo-30-x-18-100516381 (Year: 2019).*

“Barn Silo” available Aug. 10, 2019, [online], [site visited Aug. 10, 2019]. Retrieved from Internet, URL:https://www.petsmart.com/small-pet/cages-habitats-and-hutches/tunnels-and-hideouts/all-living-things-tiny-talesandtrade-barn-silo-small-pet-tunnel-52550.html (Year: 2019).*

* cited by examiner

Primary Examiner — Michael C Stout

Assistant Examiner — Katrina N Gonzalez

(74) *Attorney, Agent, or Firm* — Fox Rothschild LLP

(57) **CLAIM**

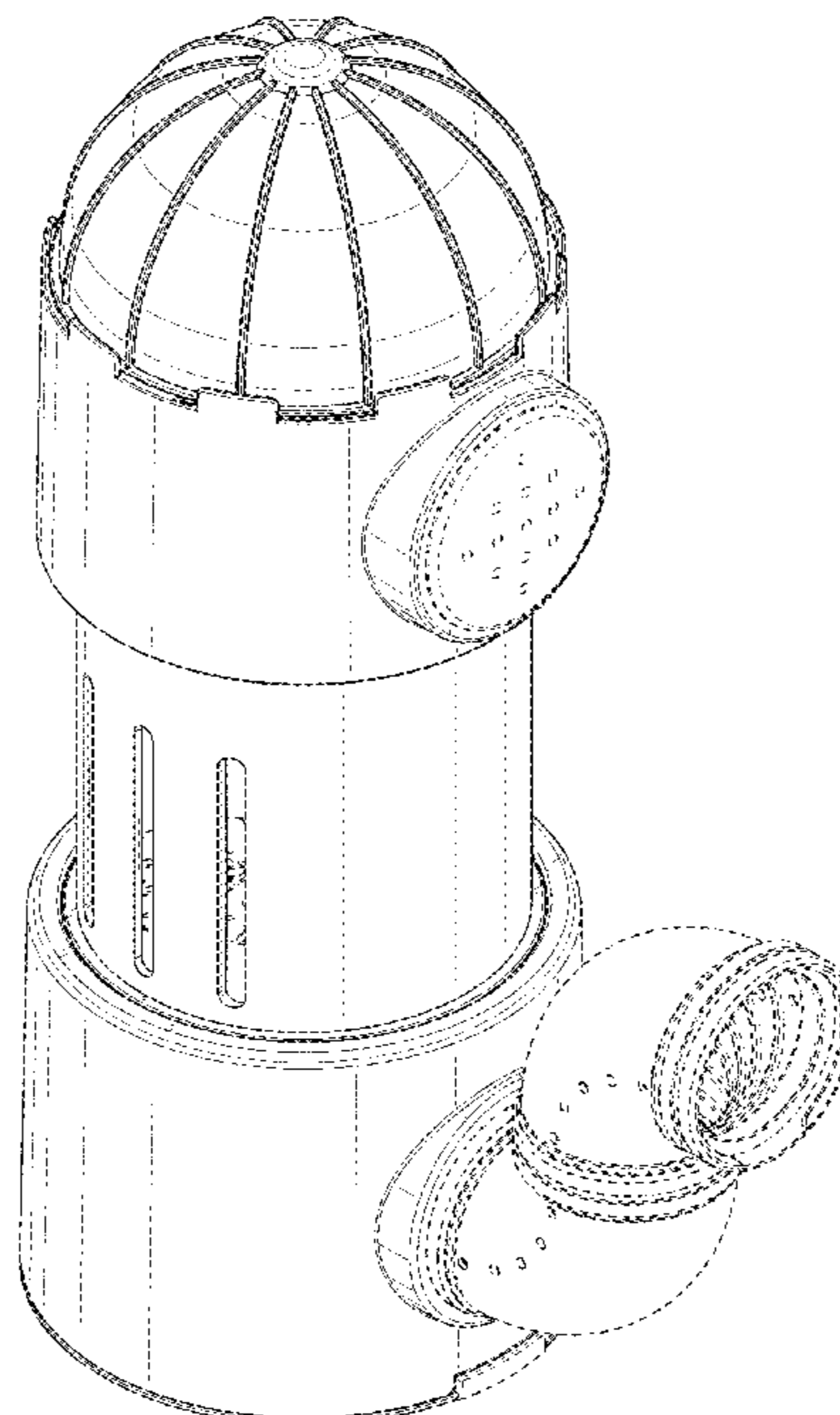
The ornamental design for a small animal habitat accessory, as shown and described.

DESCRIPTION

FIG. 1 is a top perspective view of the small animal habitat accessory showing our new design;
FIG. 2 is a front elevation view thereof;
FIG. 3 is a rear elevation view thereof;
FIG. 4 is a left side elevation view thereof;
FIG. 5 is a right side elevation view thereof;
FIG. 6 is a top plan view thereof; and,
FIG. 7 is a bottom plan view thereof.

The broken lines shown on the drawings are for the purpose of illustrating environmental structure and forms no part of the claimed design.

1 Claim, 7 Drawing Sheets



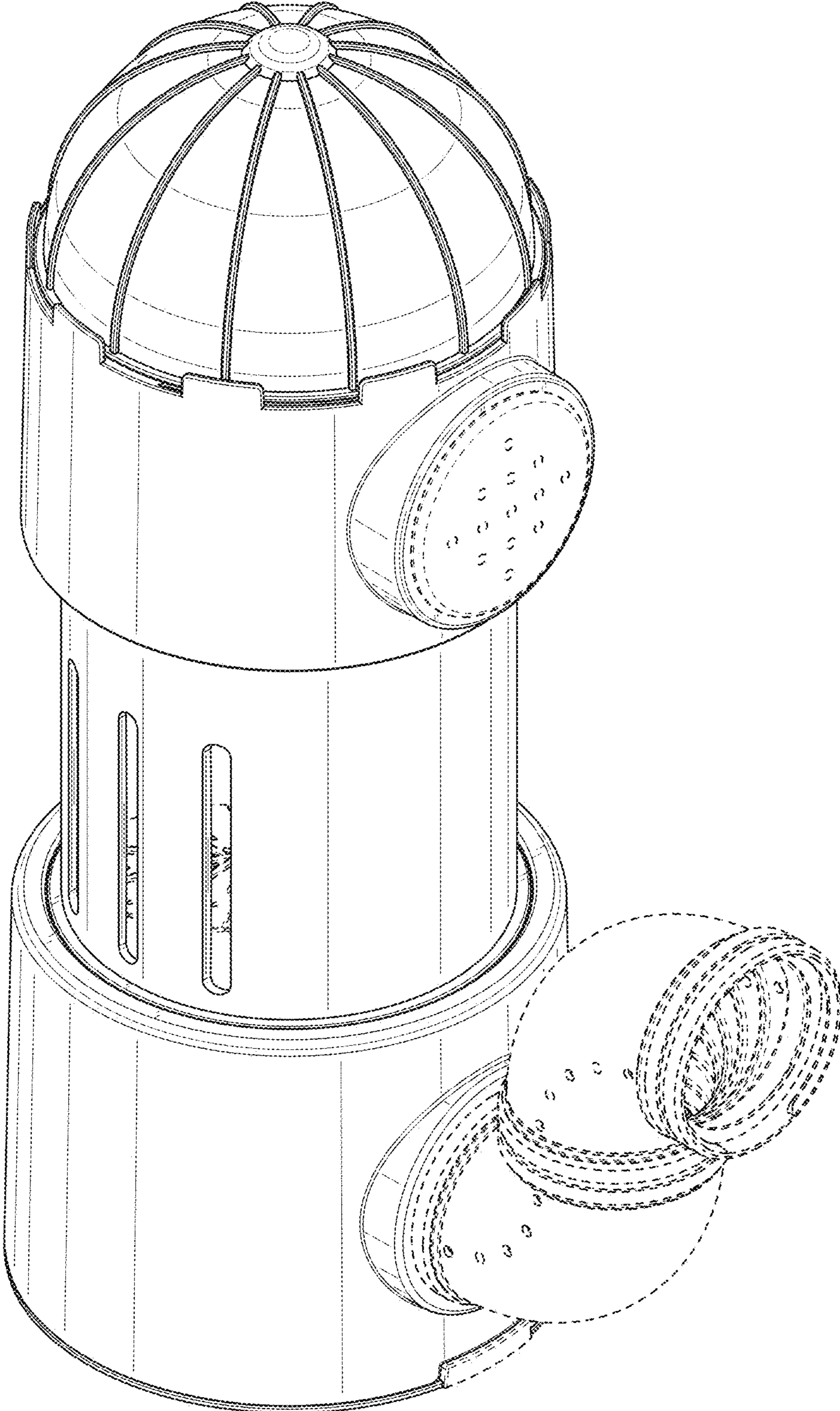


FIG. 1

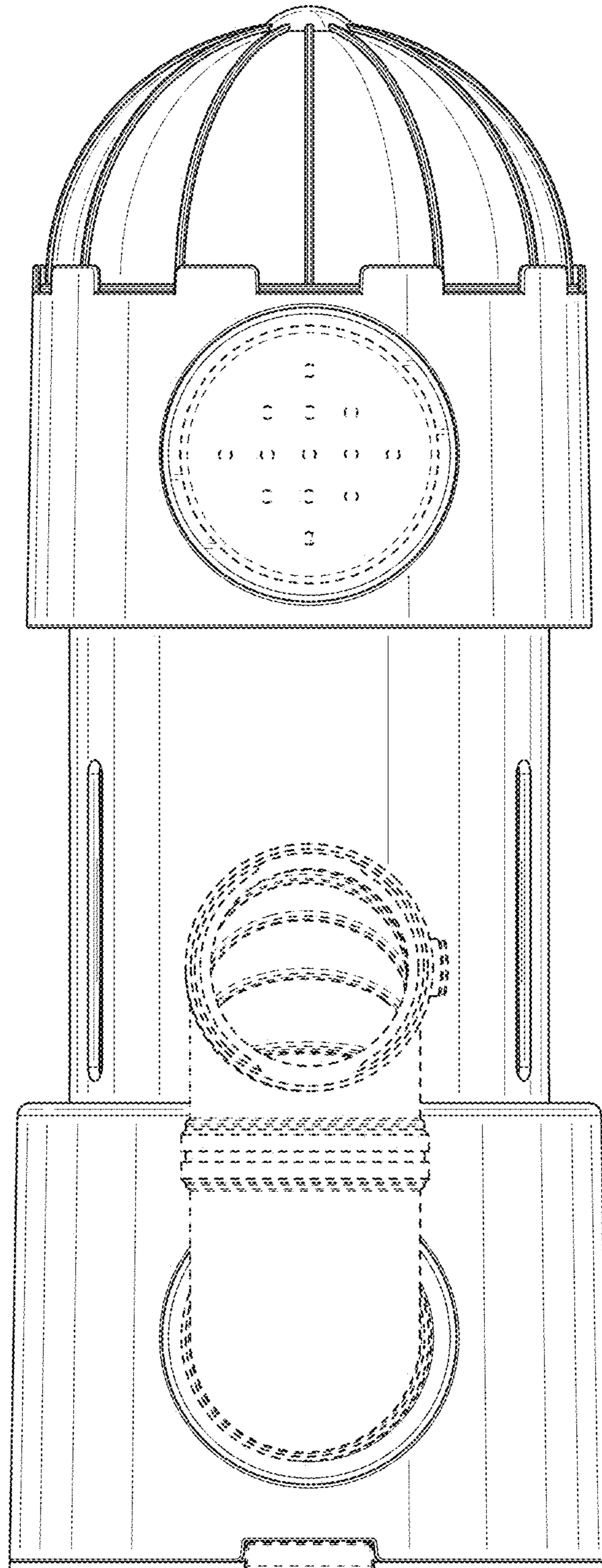


FIG. 2

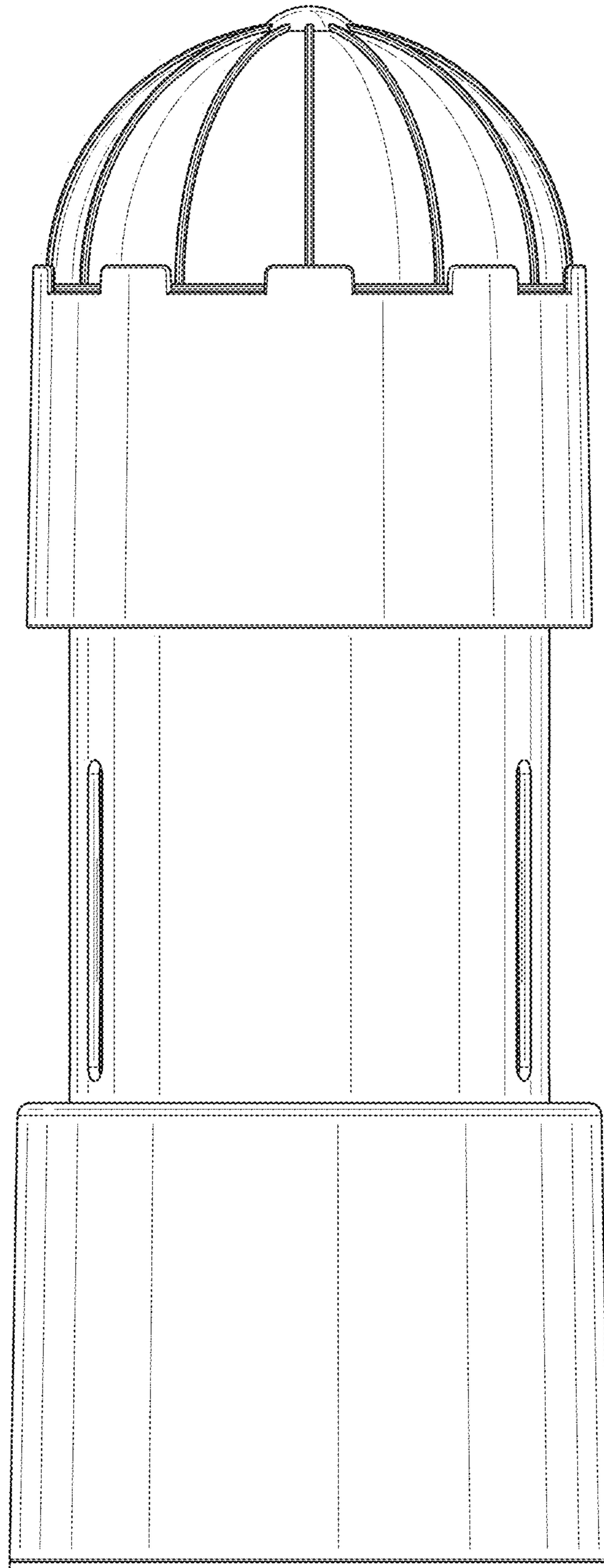


FIG. 3

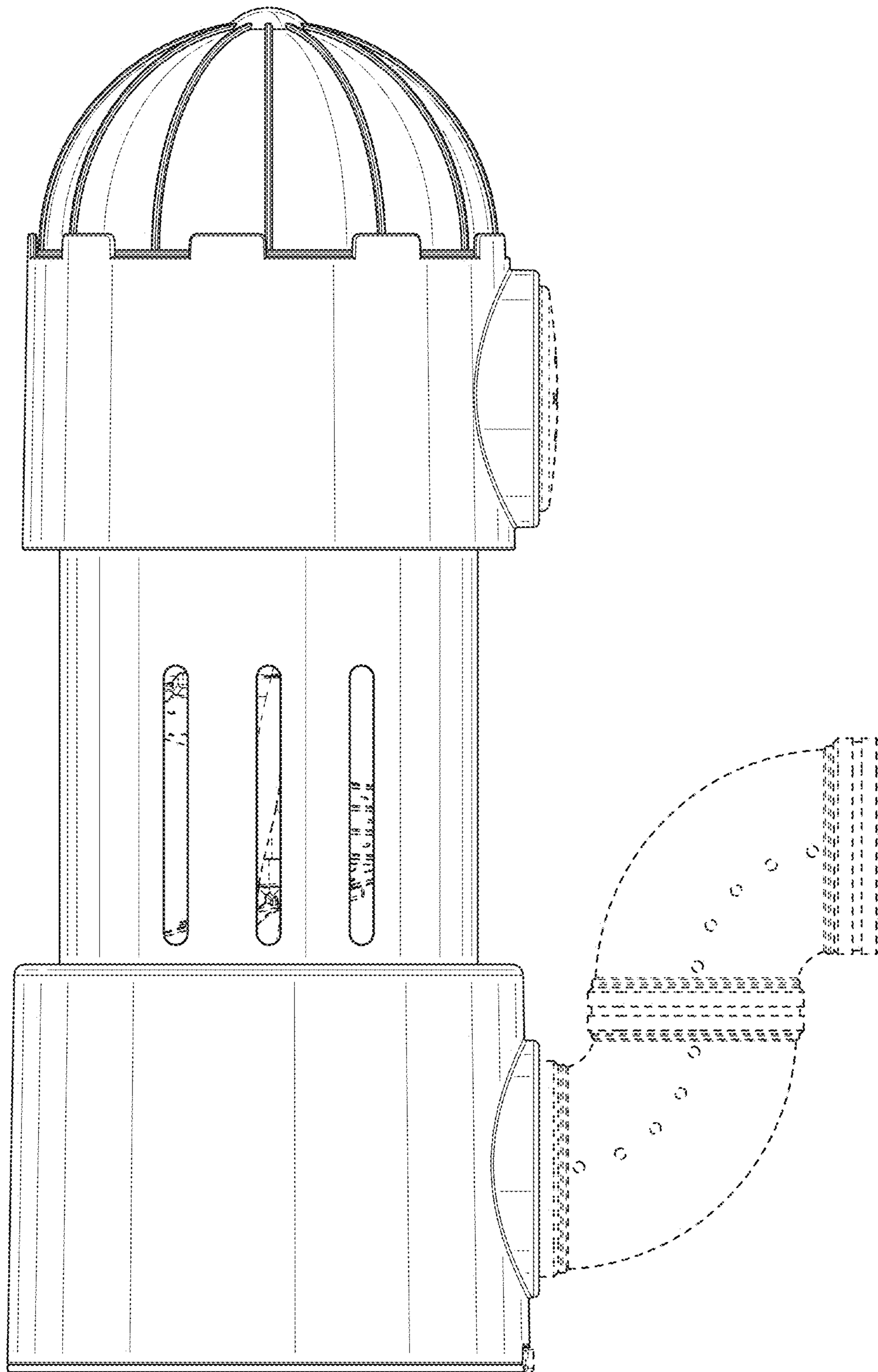


FIG. 4

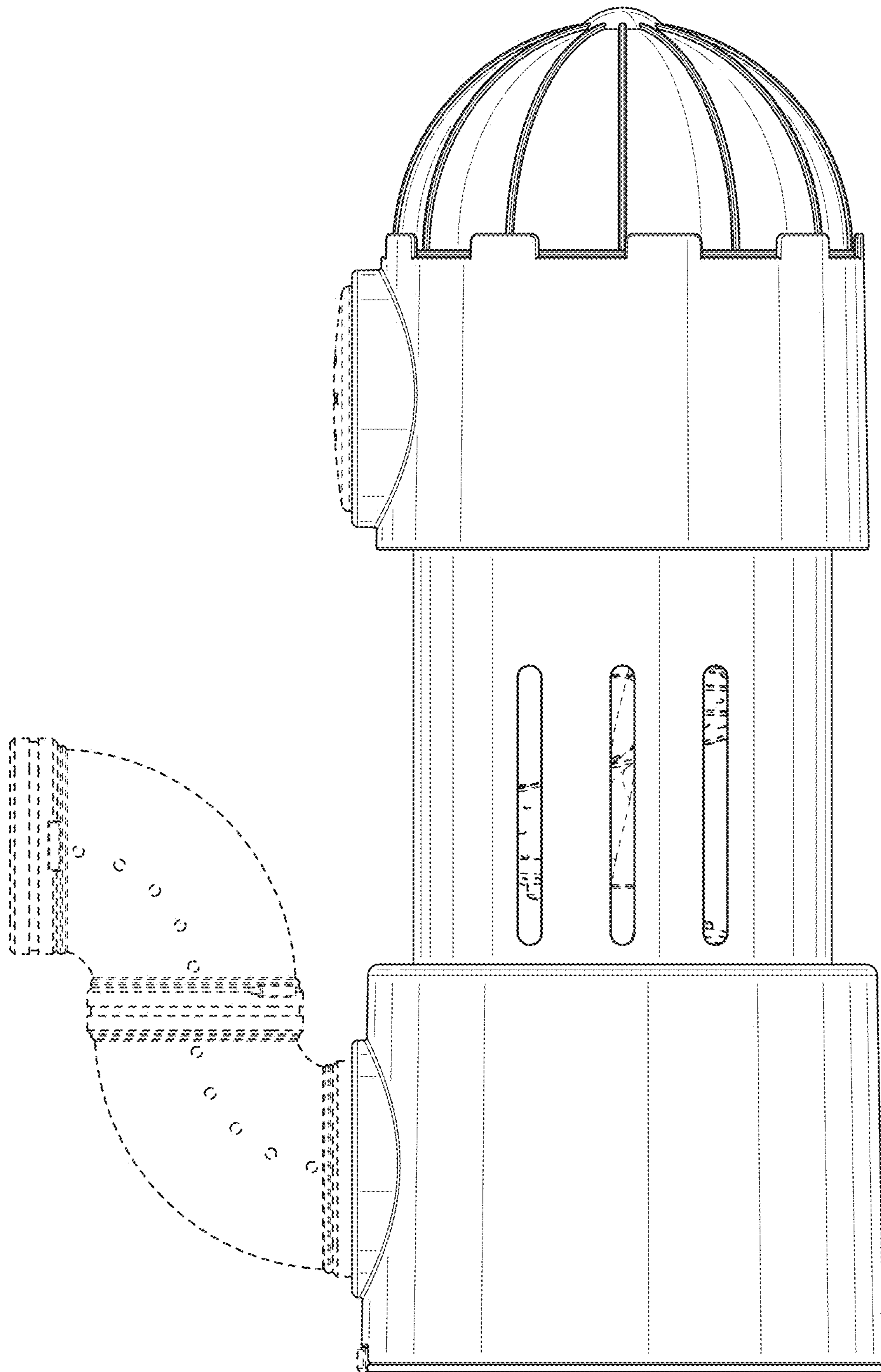


FIG. 5

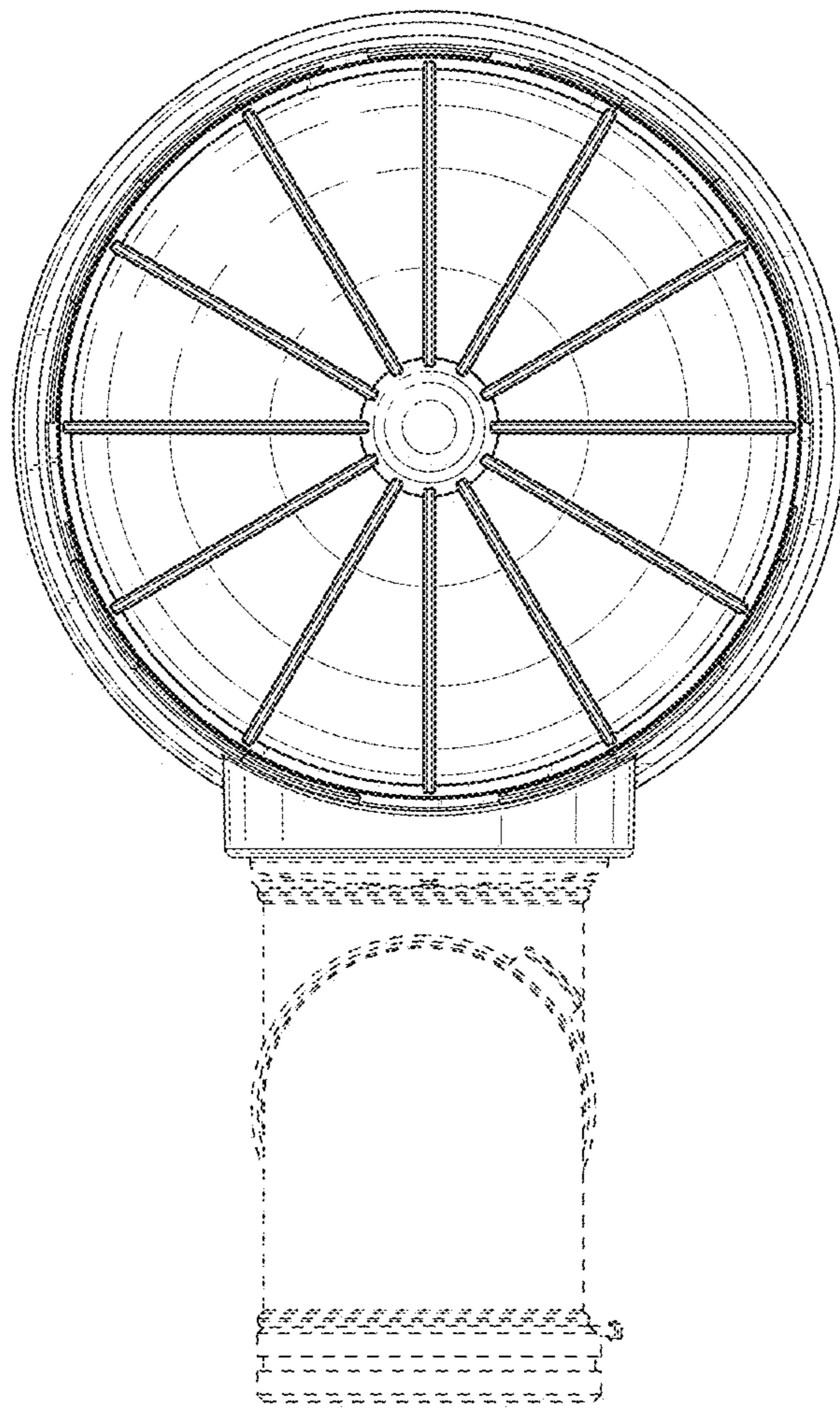


FIG. 6

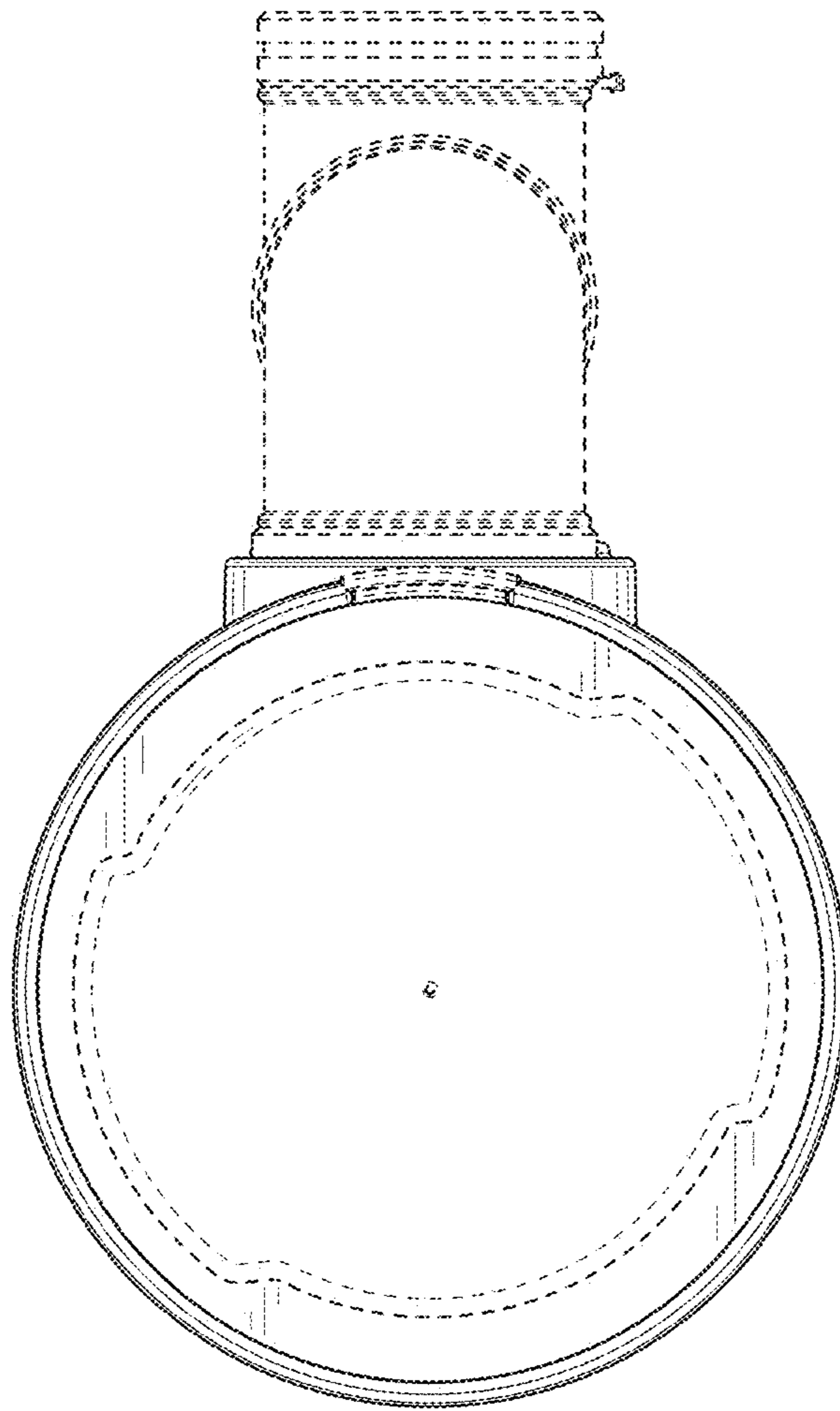


FIG. 7