



US00D872375S

(12) **United States Design Patent**
Fergusson et al.

(10) **Patent No.:** **US D872,375 S**
(45) **Date of Patent:** **** Jan. 7, 2020**

(54) **FIRE EXTINGUISHER**

(71) Applicant: **Carrier Corporation**, Palm Beach Gardens, FL (US)

(72) Inventors: **Christopher John Fergusson**, Haw River, NC (US); **Ronald Coble Mauney**, Snow Camp, NC (US)

(73) Assignee: **CARRIER CORPORATION**, Palm Beach Gardens, FL (US)

(**) Term: **15 Years**

(21) Appl. No.: **29/644,027**

(22) Filed: **Apr. 13, 2018**

(51) **LOC (12) Cl.** **29-02**

(52) **U.S. Cl.**
USPC **D29/126**

(58) **Field of Classification Search**
USPC D23/355-369, 213, 214, 223, 224, 225,
D23/231; D28/5, 6; 261/DIG. 17,
(Continued)

(56) **References Cited**

U.S. PATENT DOCUMENTS

D486,945 S * 2/2004 Brock D29/126
D542,477 S * 5/2007 Crommelynck D29/126
D673,052 S * 12/2012 Ferenc D9/600

* cited by examiner

Primary Examiner — Randall H Gholson

(74) *Attorney, Agent, or Firm* — Cantor Colburn LLP

(57) **CLAIM**

We claim, the ornamental design for a fire extinguisher, as shown and described.

DESCRIPTION

FIG. 1 is a perspective view of a fire extinguisher, showing our new design in a first embodiment;

FIG. 2 is a side view of the embodiment shown in FIG. 1; FIG. 3 is another side view of the embodiment shown in FIG. 1;

FIG. 4 is a front view of the embodiment shown in FIG. 1; FIG. 5 is back view of the embodiment shown in FIG. 1; FIG. 6 is a top view of the embodiment shown in FIG. 1; FIG. 7 is a bottom view of the embodiment shown in FIG. 1;

FIG. 8 is a perspective view of a fire extinguisher, showing our new design in second embodiment;

FIG. 9 is a side view of the embodiment shown in FIG. 8; FIG. 10 is another side view of the embodiment shown in FIG. 8;

FIG. 11 is a front view of the embodiment shown in FIG. 8; FIG. 12 is back view of the embodiment shown in FIG. 8; FIG. 13 is a top view of the embodiment shown in FIG. 8; FIG. 14 is a bottom view of the embodiment shown in FIG. 8;

FIG. 15 is a perspective view of a fire extinguisher, showing our new design in a third embodiment;

FIG. 16 is a side view of the embodiment shown in FIG. 15; FIG. 17 is another side view of the embodiment shown in FIG. 15;

FIG. 18 is a front view of the embodiment shown in FIG. 15; FIG. 19 is back view of the embodiment shown in FIG. 15; FIG. 20 is a top view of the embodiment shown in FIG. 15; FIG. 21 is a bottom view of the embodiment shown in FIG. 15;

FIG. 22 is a perspective view of a fire extinguisher, showing our new design in fourth embodiment;

FIG. 23 is a side view of the embodiment shown in FIG. 22; FIG. 24 is another side view of the embodiment shown in FIG. 22;

FIG. 25 is a front view of the embodiment shown in FIG. 22; FIG. 26 is back view of the embodiment shown in FIG. 22; FIG. 27 is a top view of the embodiment shown in FIG. 22; FIG. 28 is a bottom view of the embodiment shown in FIG. 22;

FIG. 29 is a perspective view of a fire extinguisher, showing our new design in fifth embodiment;

FIG. 30 is a side view of the embodiment shown in FIG. 29; FIG. 31 is another side view of the embodiment shown in FIG. 29;

FIG. 32 is a front view of the embodiment shown in FIG. 29;

(Continued)

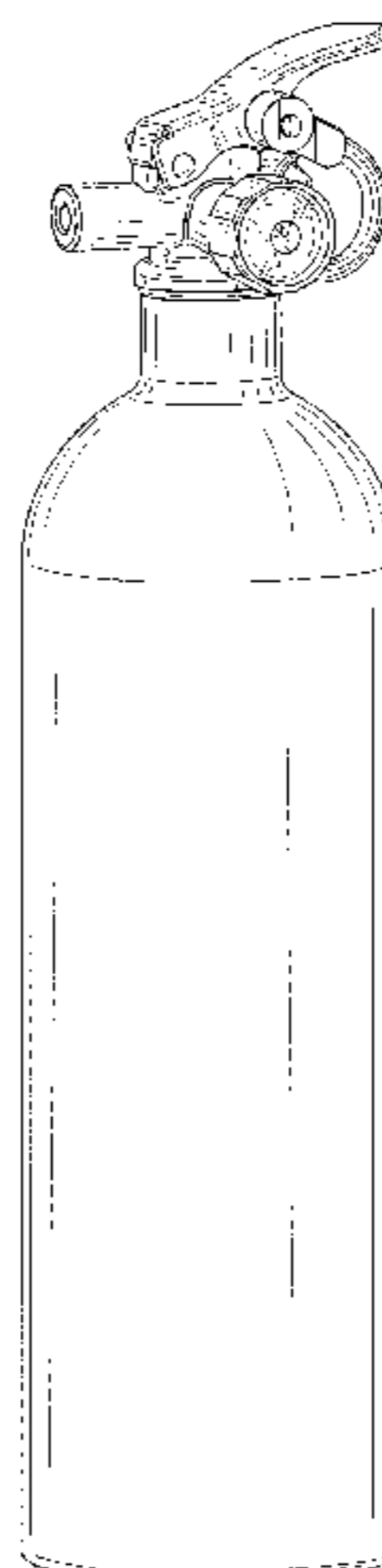


FIG. 33 is back view of the embodiment shown in FIG. 29;
FIG. 34 is a top view of the embodiment shown in FIG. 29;
FIG. 35 is a bottom view of the embodiment shown in FIG. 29;

FIG. 36 is a perspective view of a fire extinguisher, showing our new design in sixth embodiment;

FIG. 37 is a side view of the embodiment shown in FIG. 36;

FIG. 38 is another side view of the embodiment shown in FIG. 36;

FIG. 39 is a front view of the embodiment shown in FIG. 36;

FIG. 40 is back view of the embodiment shown in FIG. 36;

FIG. 41 is a top view of the embodiment shown in FIG. 36;

and,

FIG. 42 is a bottom view of the embodiment shown in FIG. 36.

The broken line disclosure forms no part of the claimed design.

1 Claim, 30 Drawing Sheets

(58) Field of Classification Search

USPC 261/DIG. 42, DIG. 65, DIG. 88, DIG. 89,
261/DIG. 47, DIG. 55, DIG. 70; 392/356,
392/390, 392, 394, 395; 239/34, 44, 53,
239/55, 56, 326, 60, 308, 589; D9/687,
D9/600, 695; D7/591; D29/125, 126,
D29/129, 130; 169/7, 89; 222/210, 324
CPC .. A62C 2/00; A62C 8/00; A62C 13/76; A62C
13/64

See application file for complete search history.

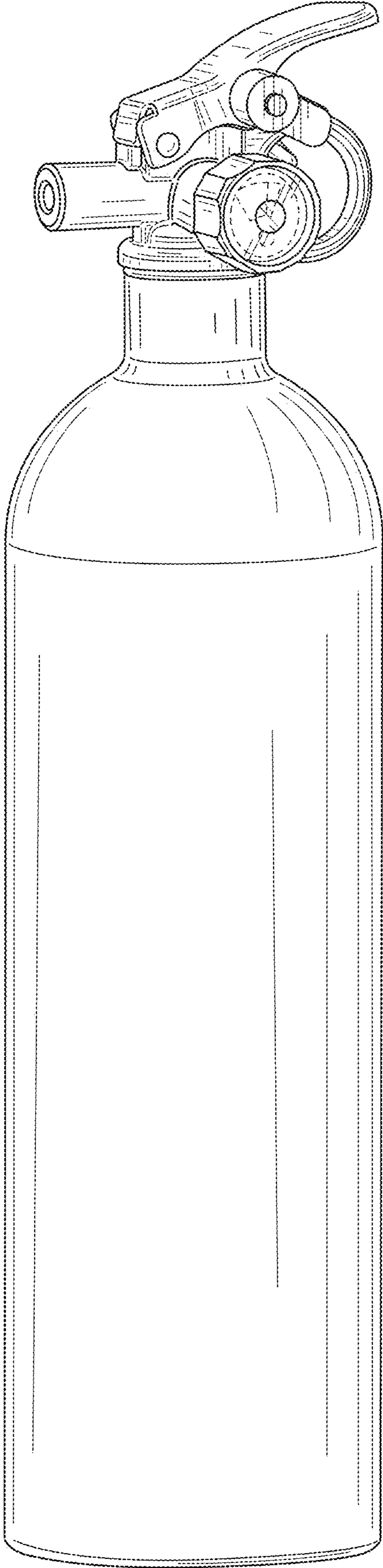


FIG. 1

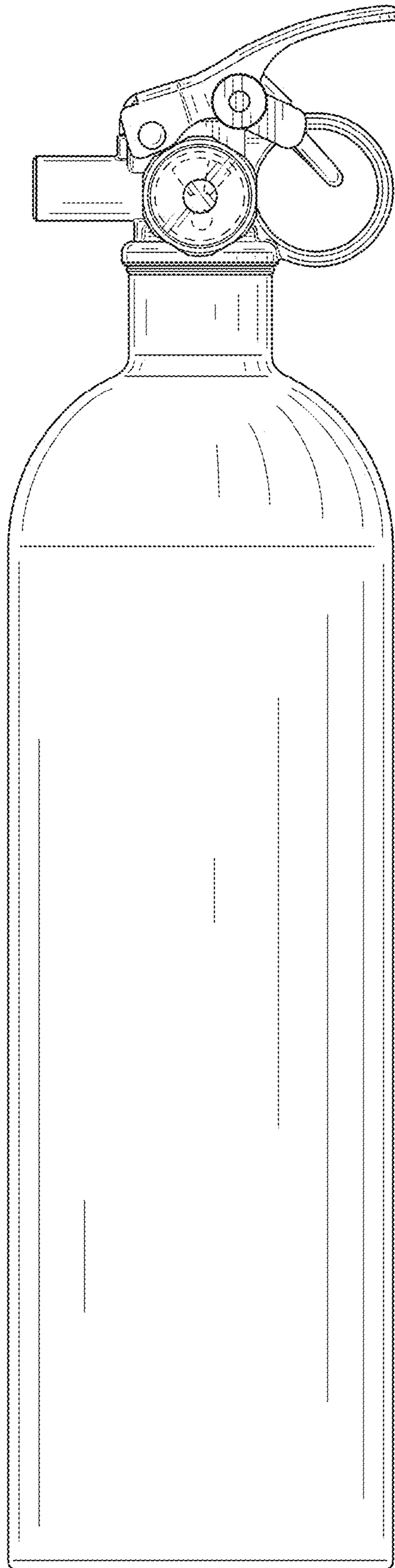


FIG. 2

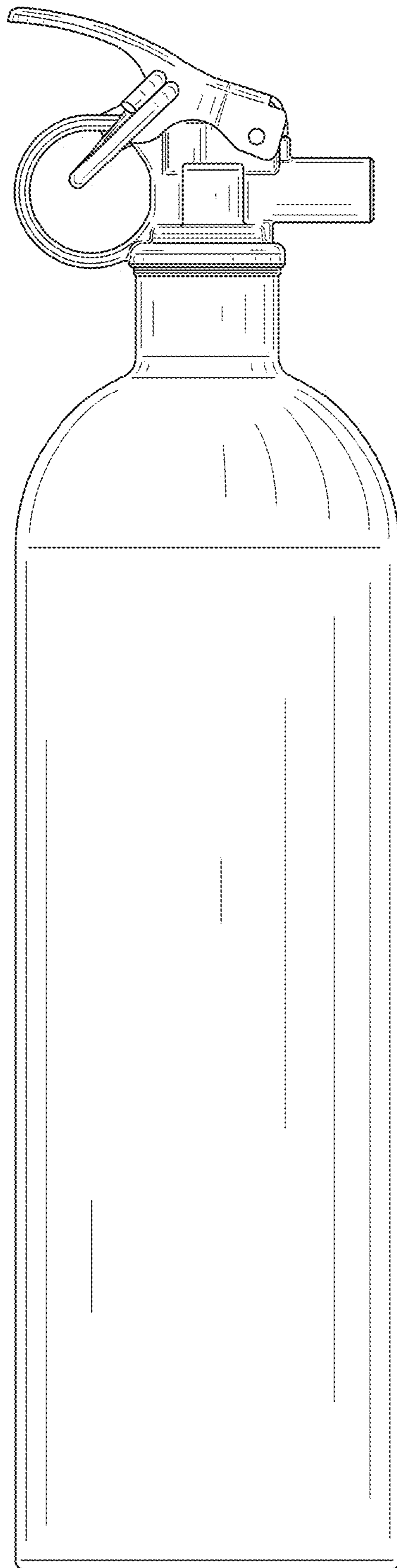


FIG. 3

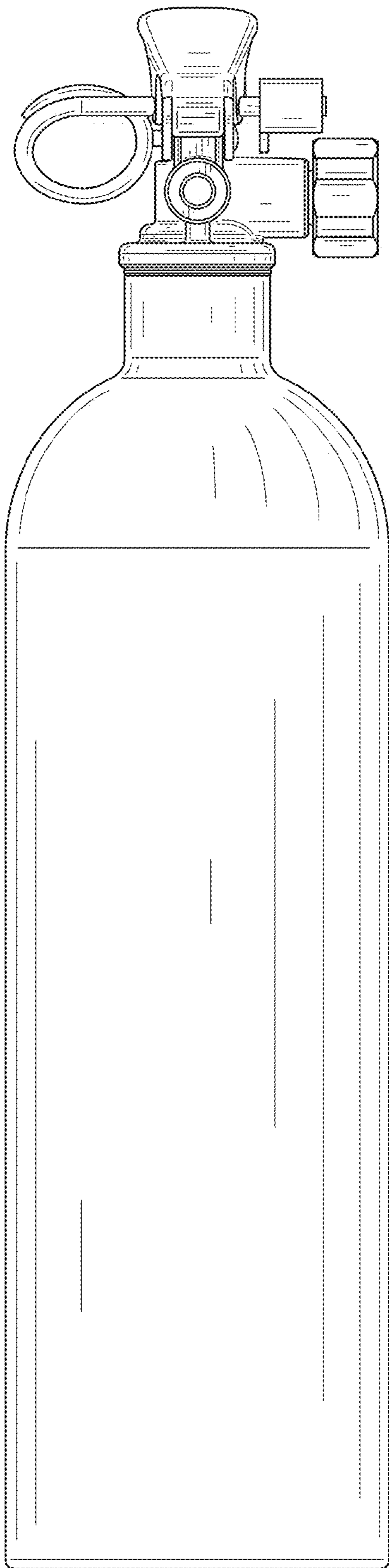


FIG. 4

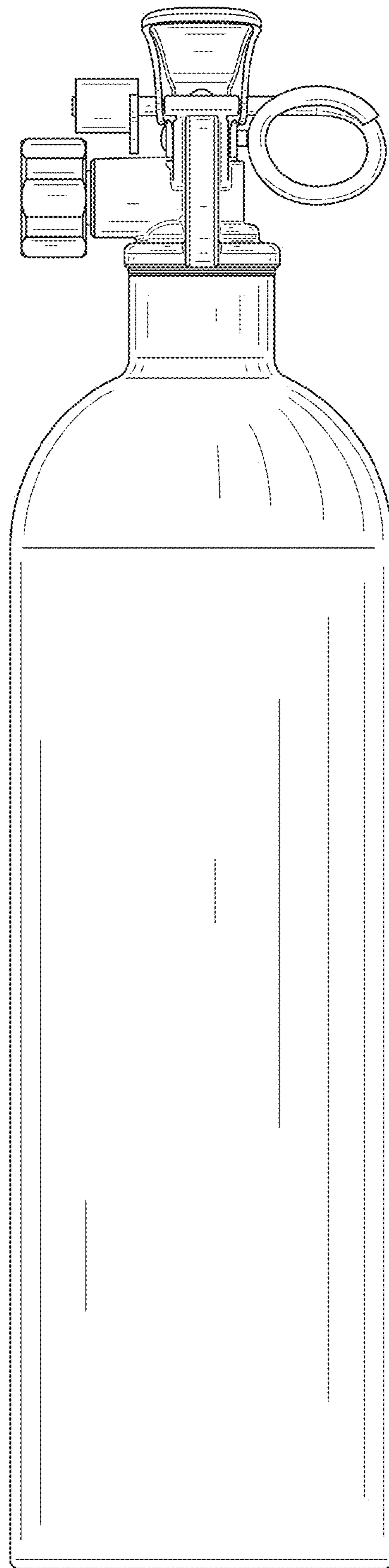


FIG. 5

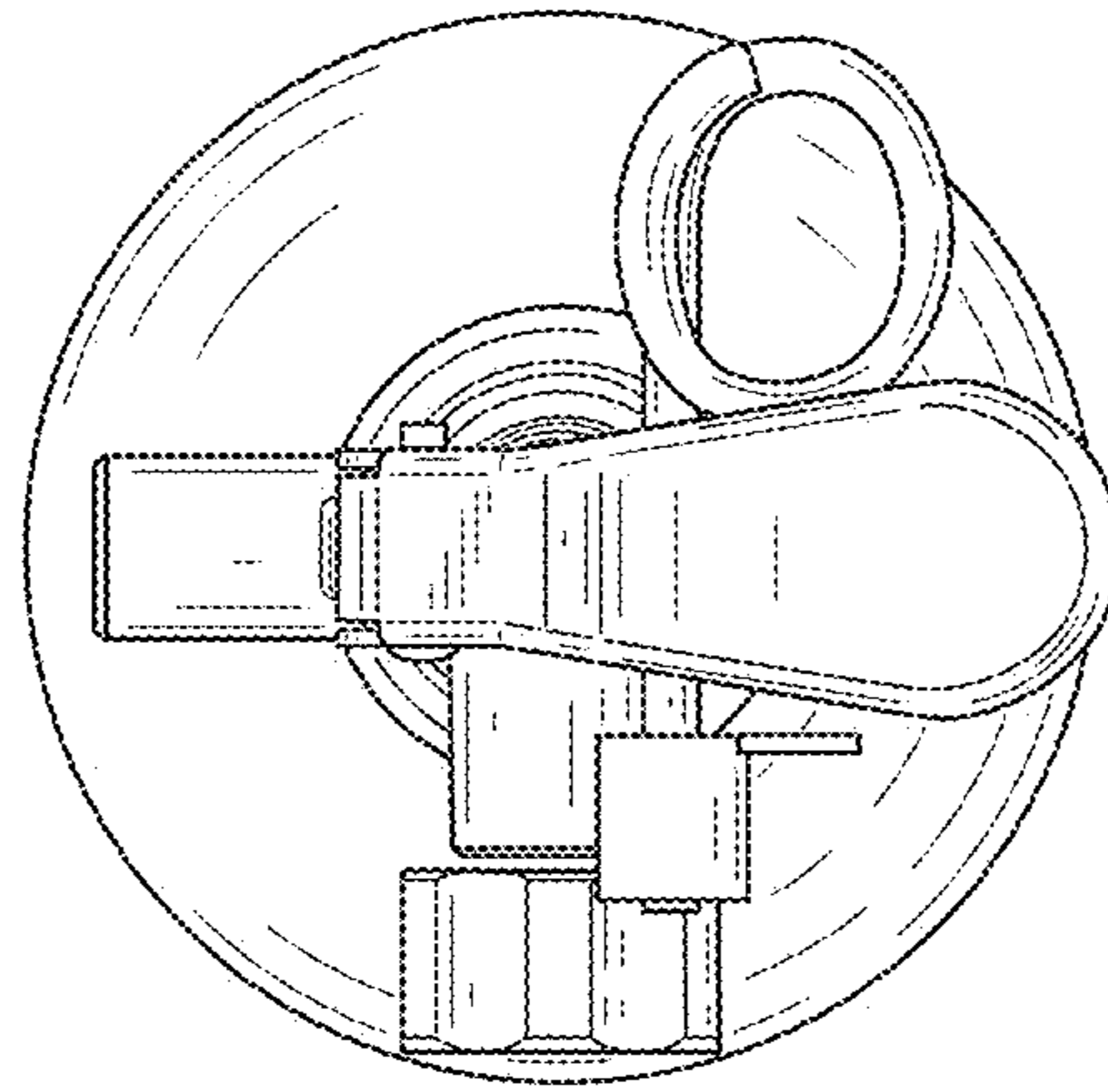


FIG. 6

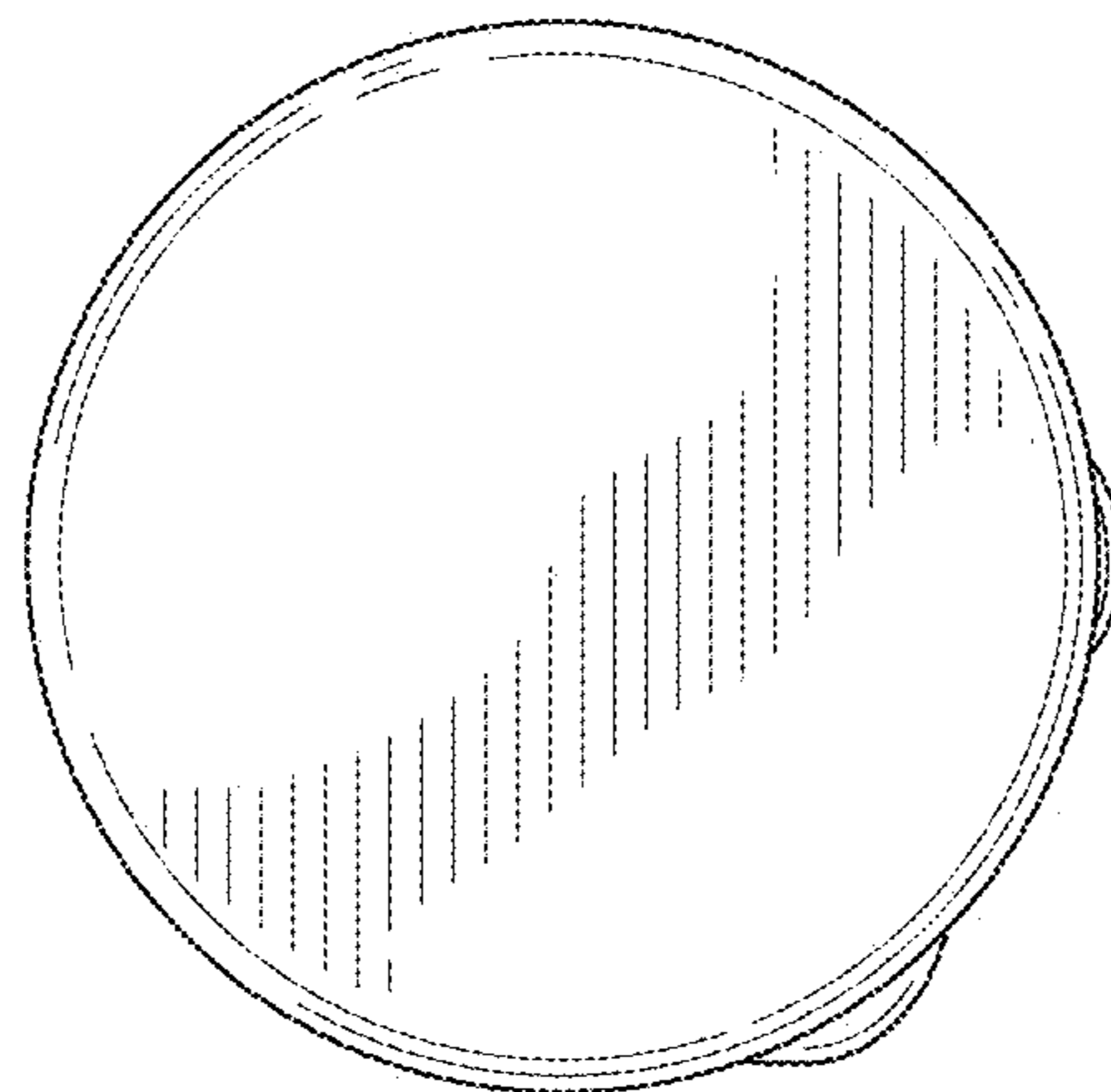


FIG. 7

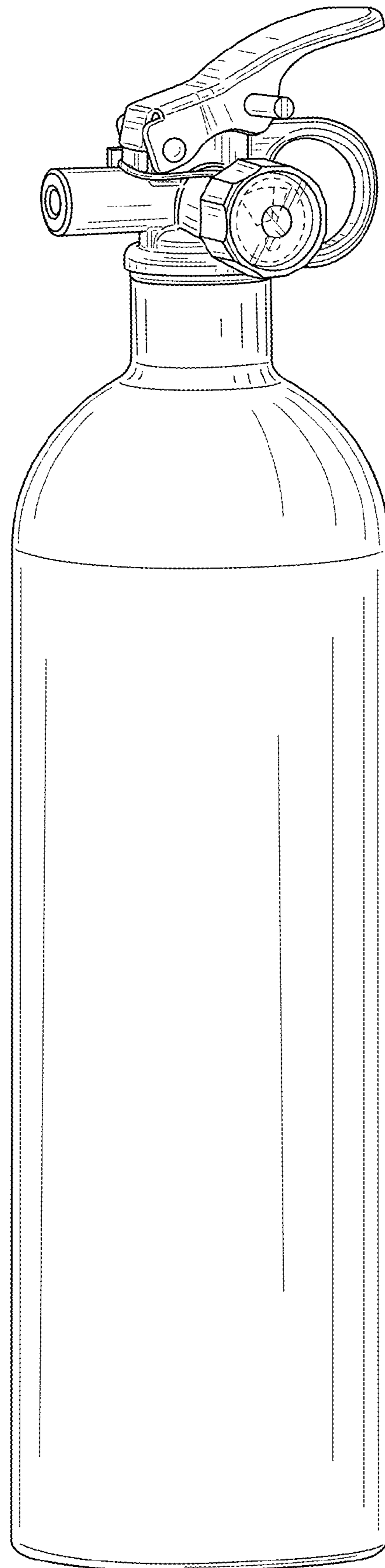


FIG. 8

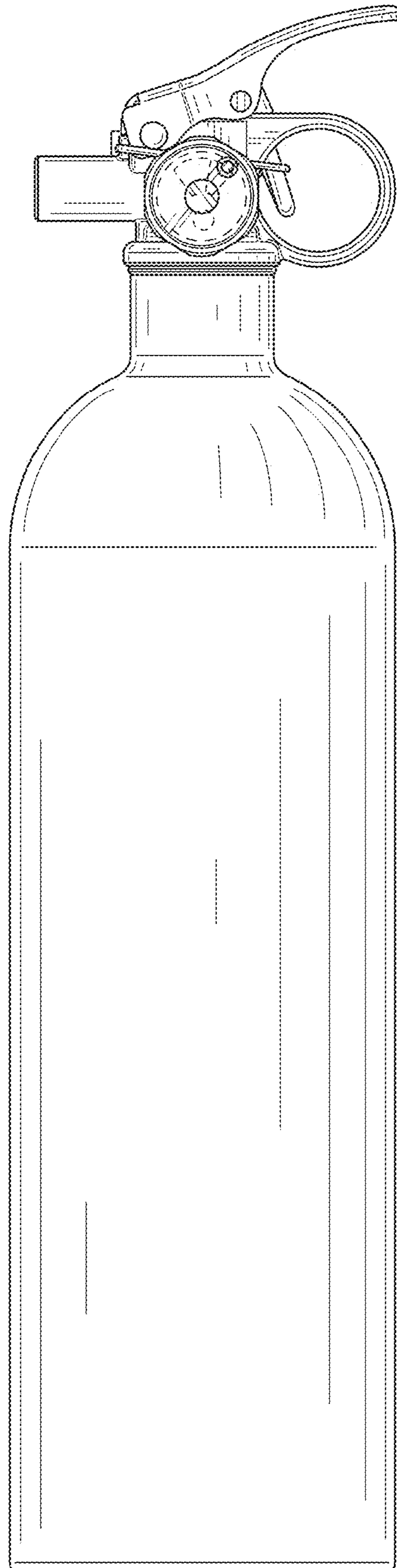


FIG. 9

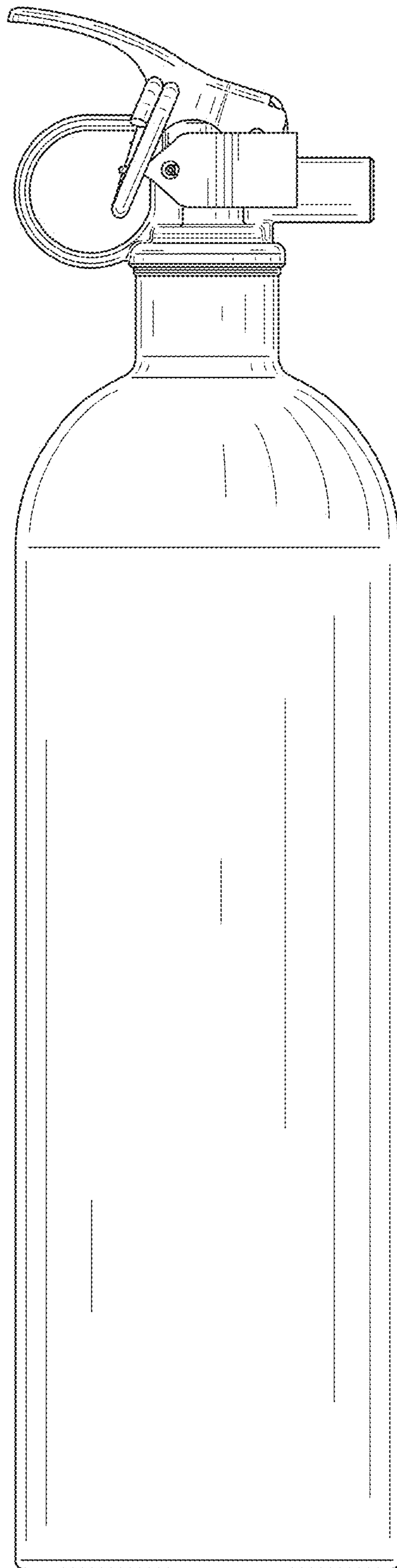


FIG. 10

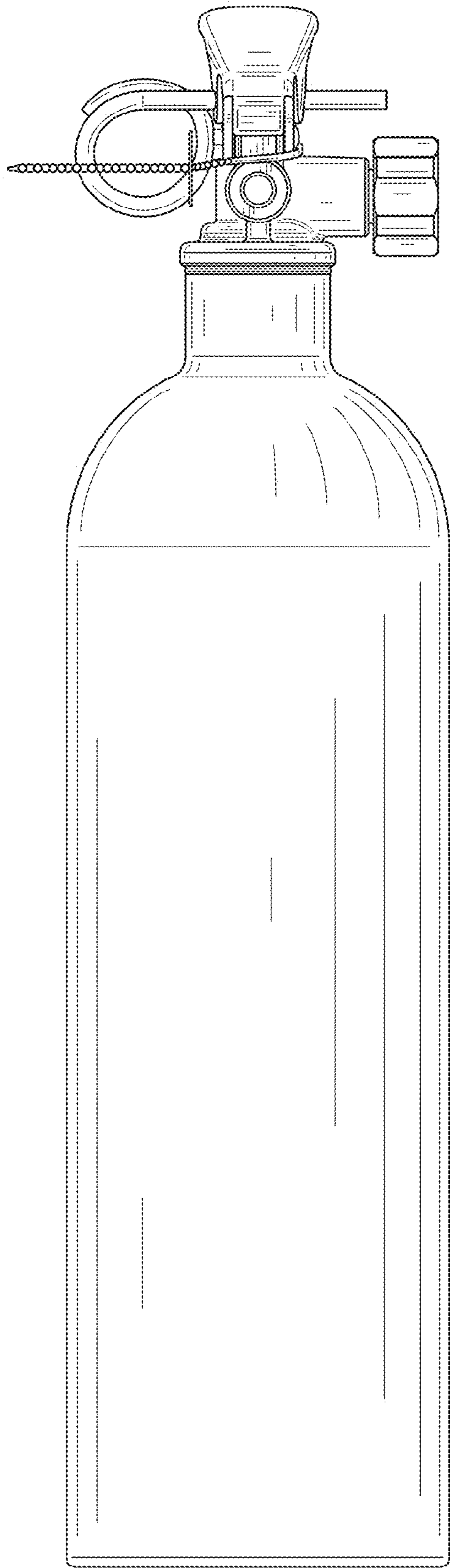


FIG. 11

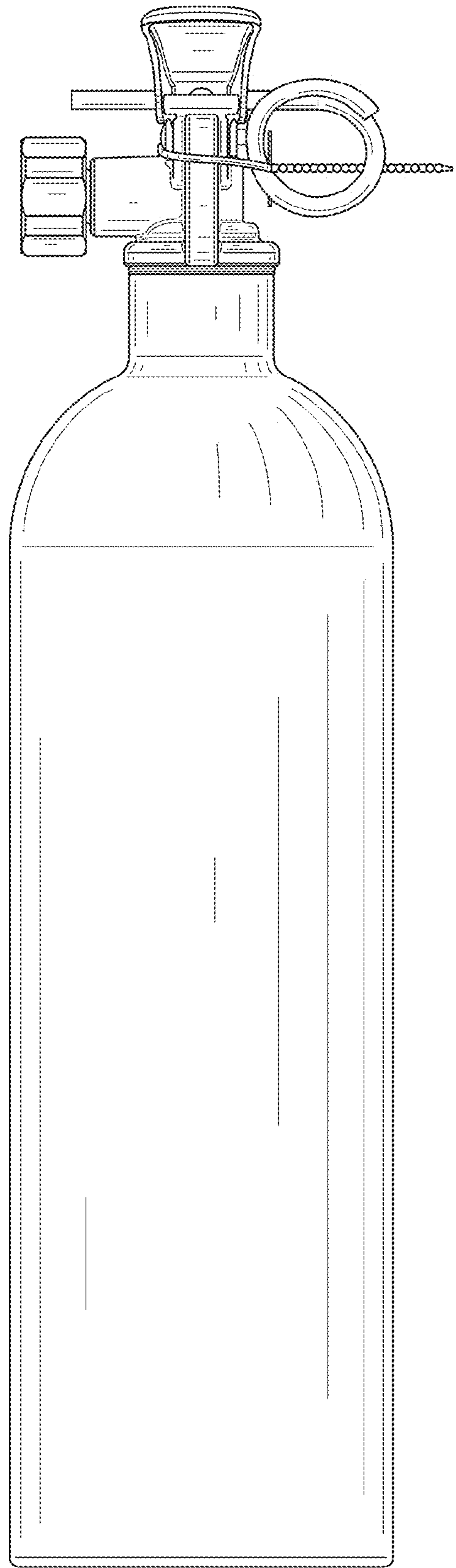


FIG. 12

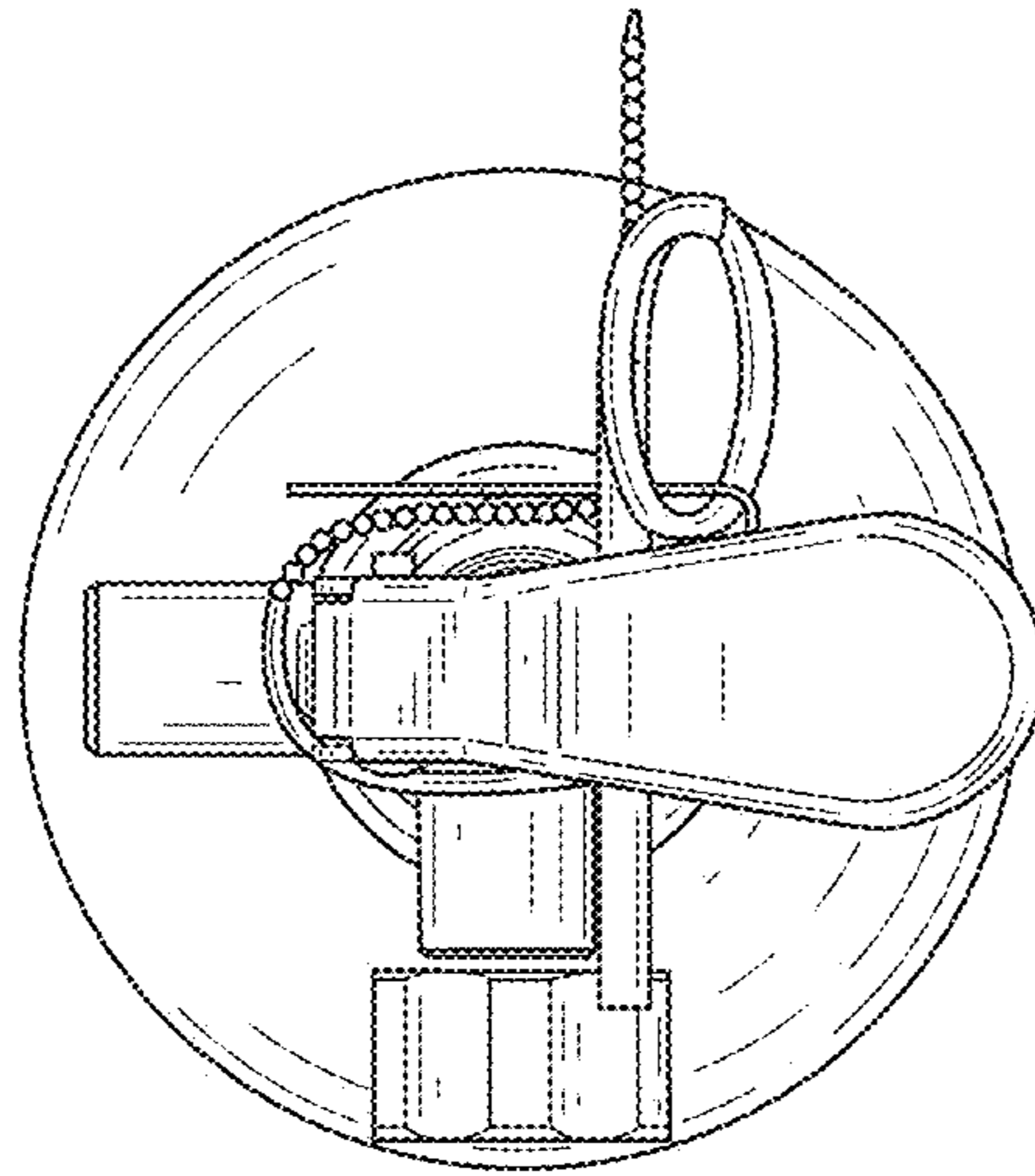


FIG. 13

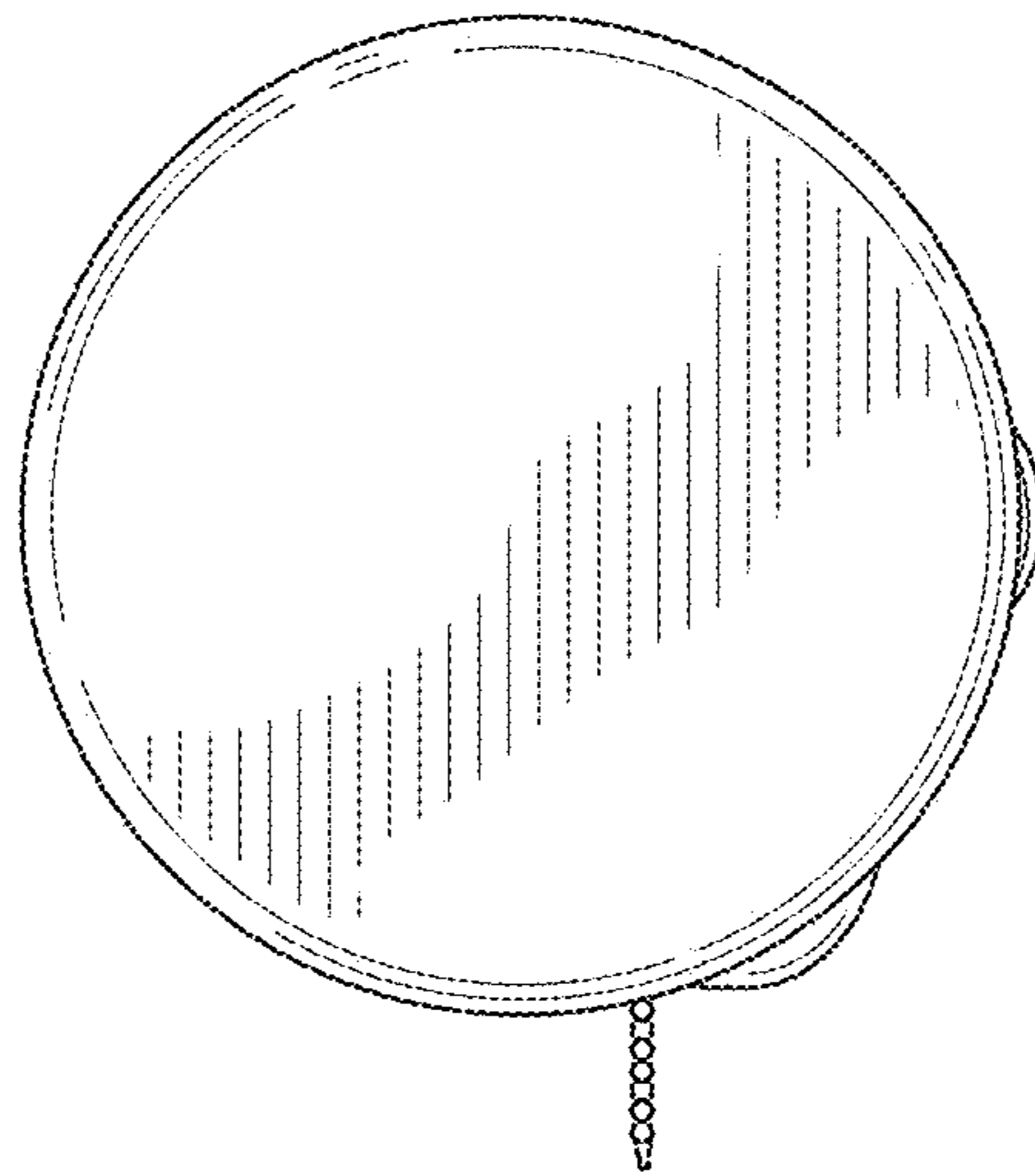


FIG. 14

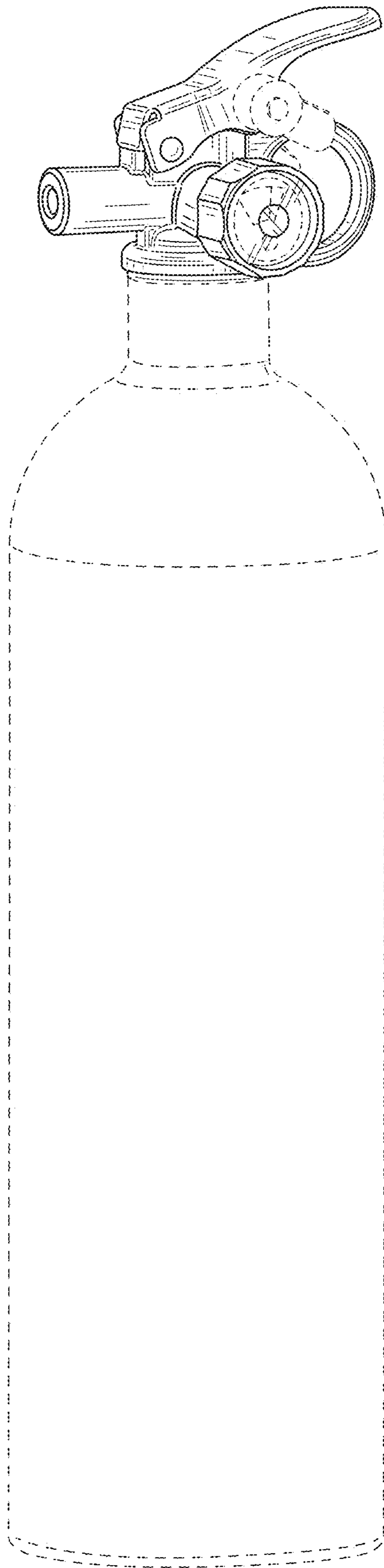


FIG. 15

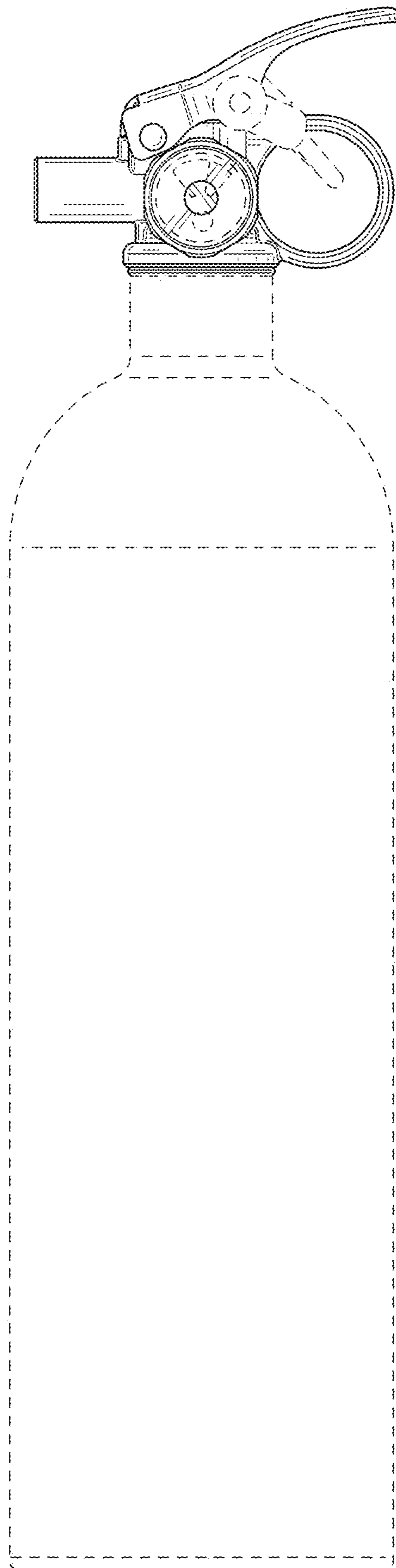


FIG. 16

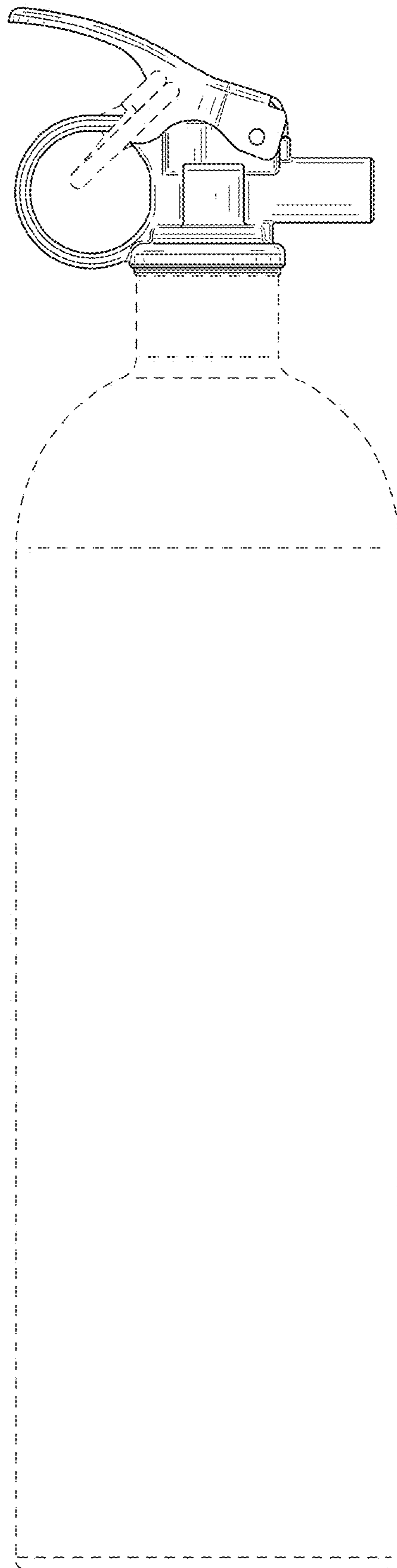


FIG. 17

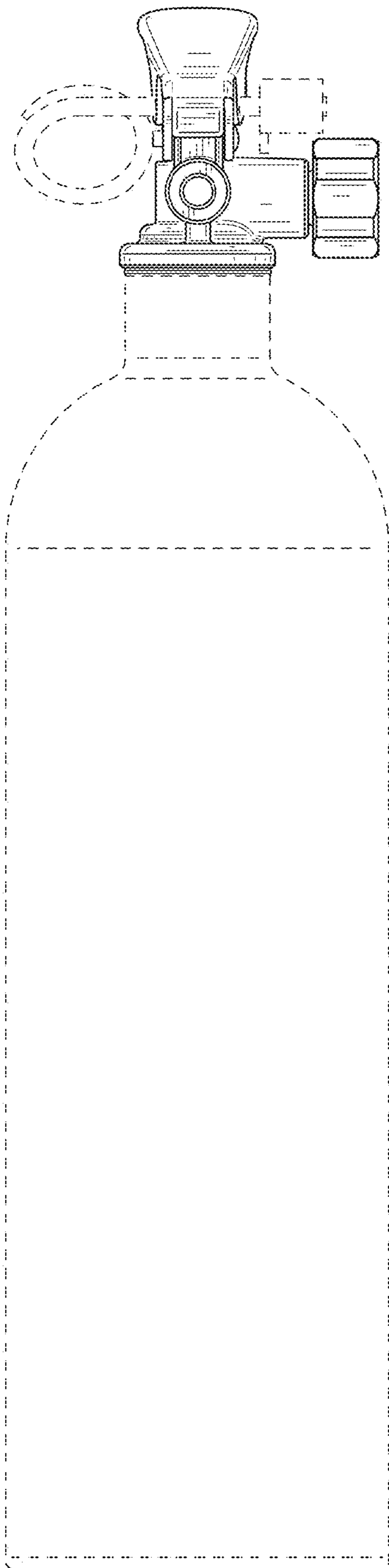


FIG. 18

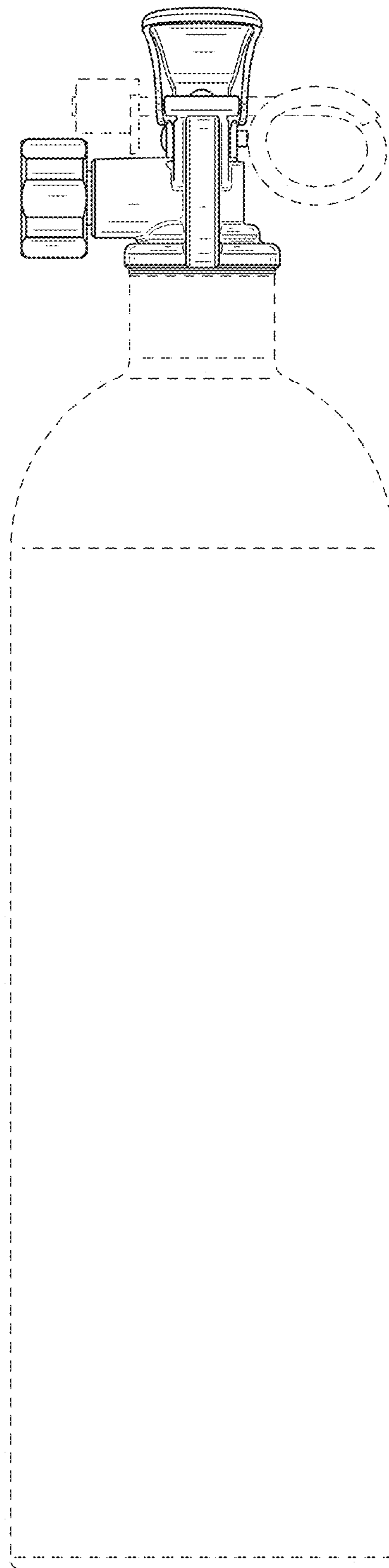


FIG. 19

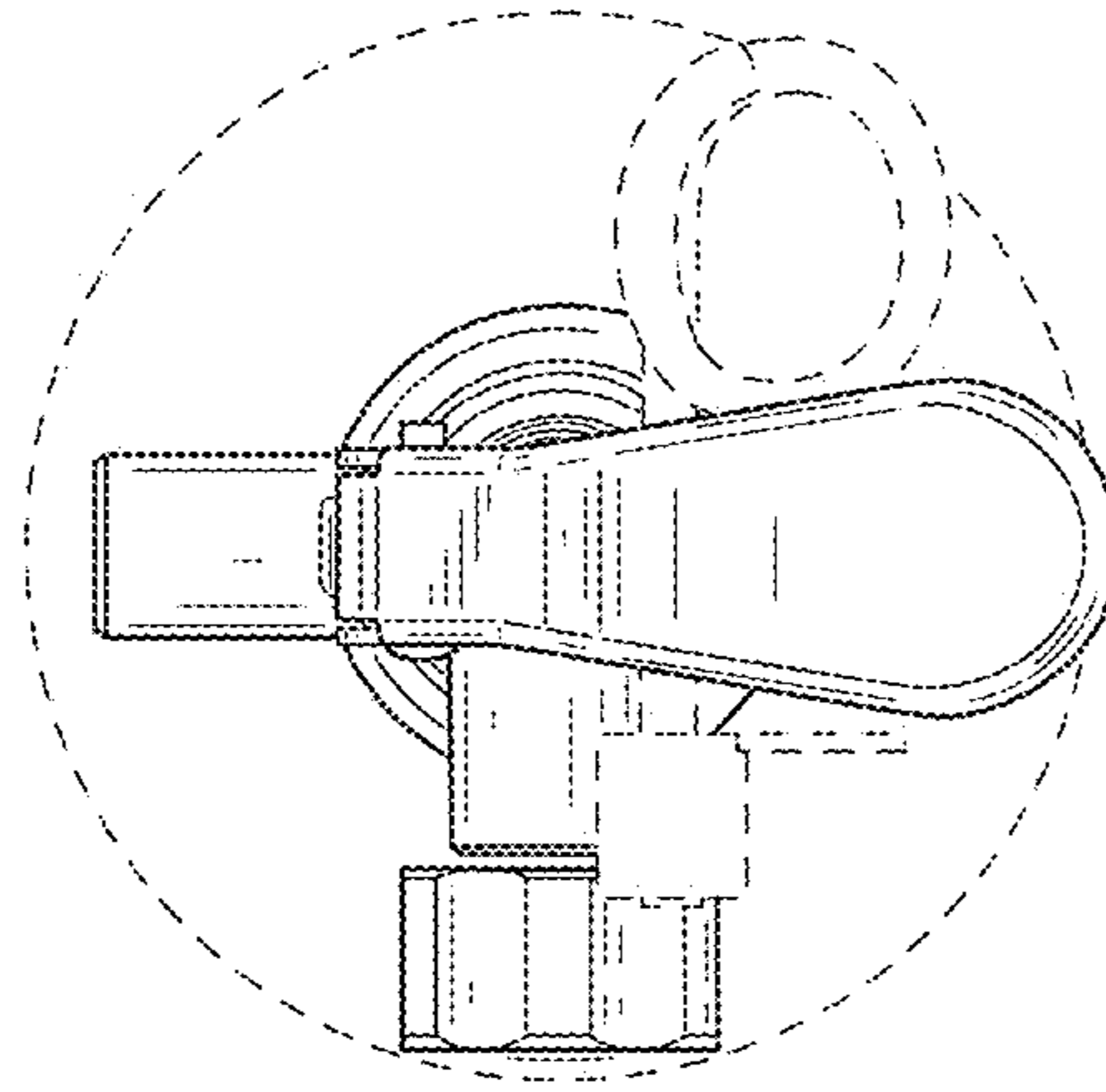


FIG. 20

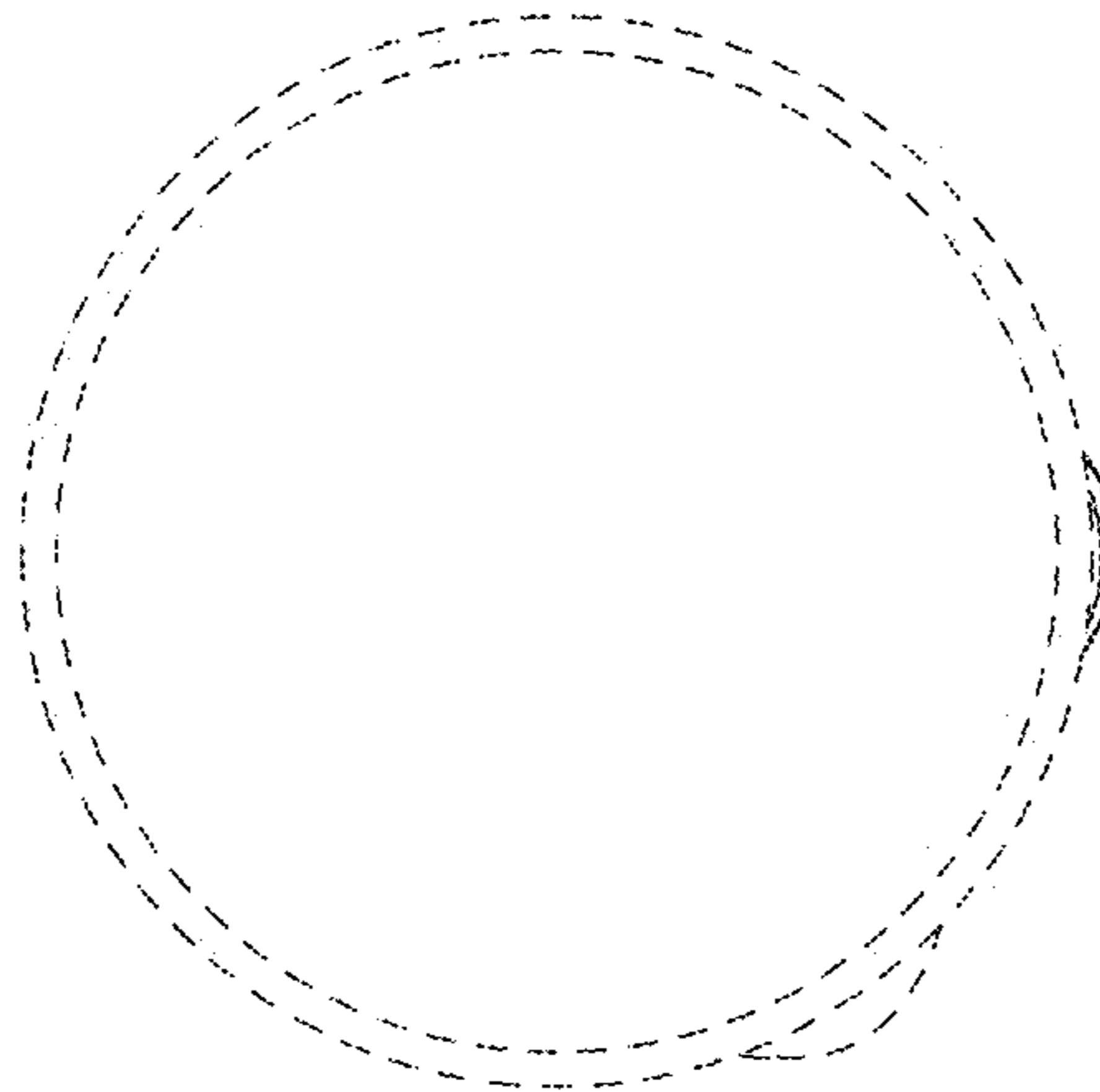


FIG. 21

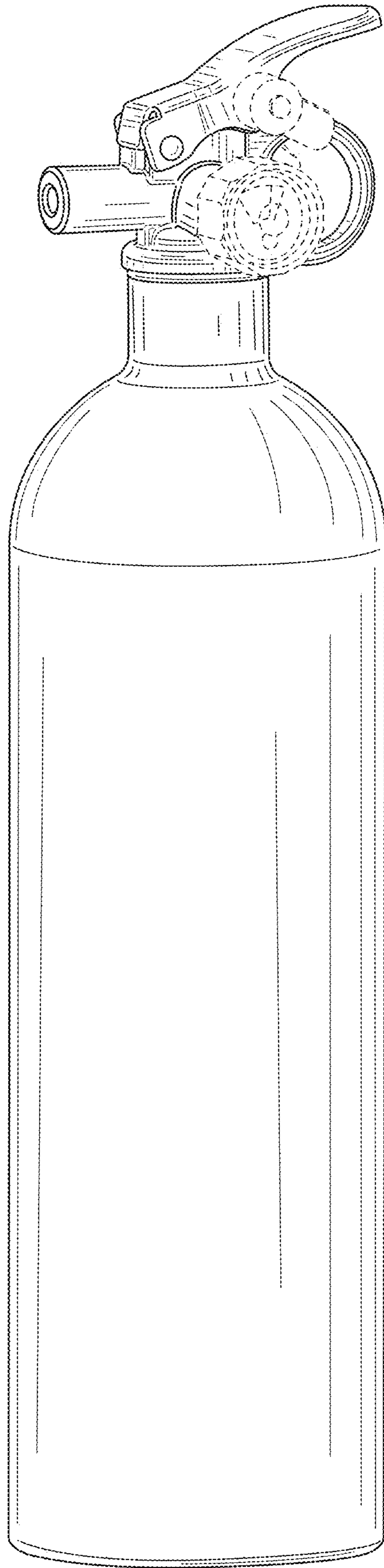


FIG. 22

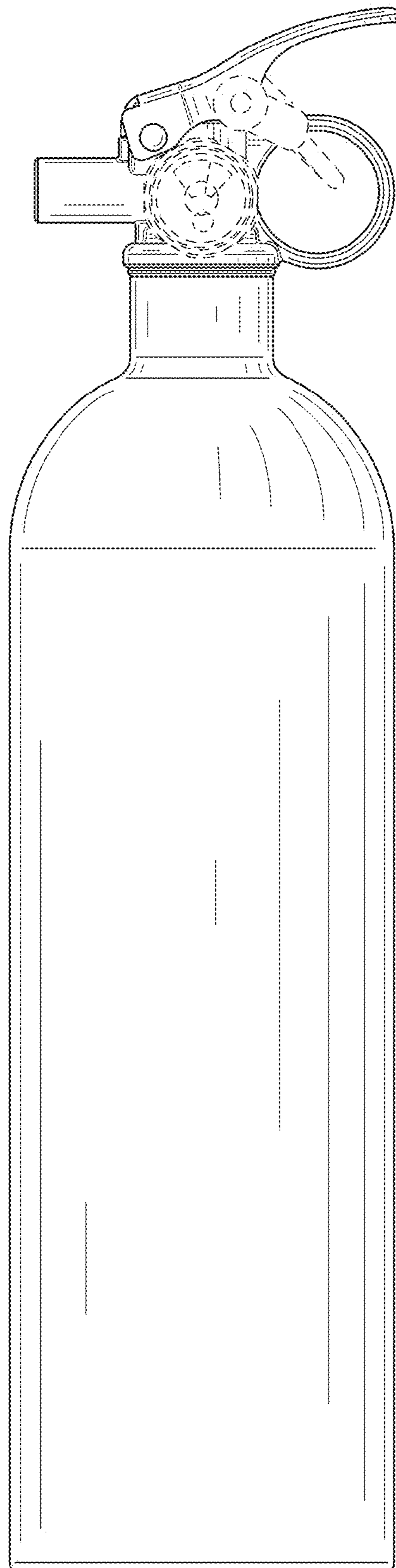


FIG. 23

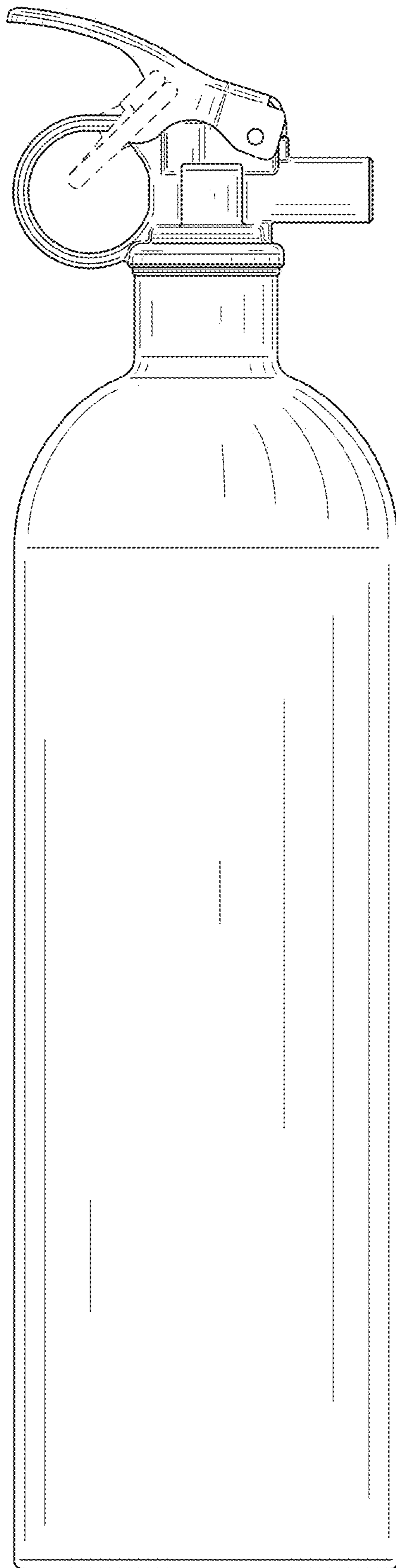


FIG. 24

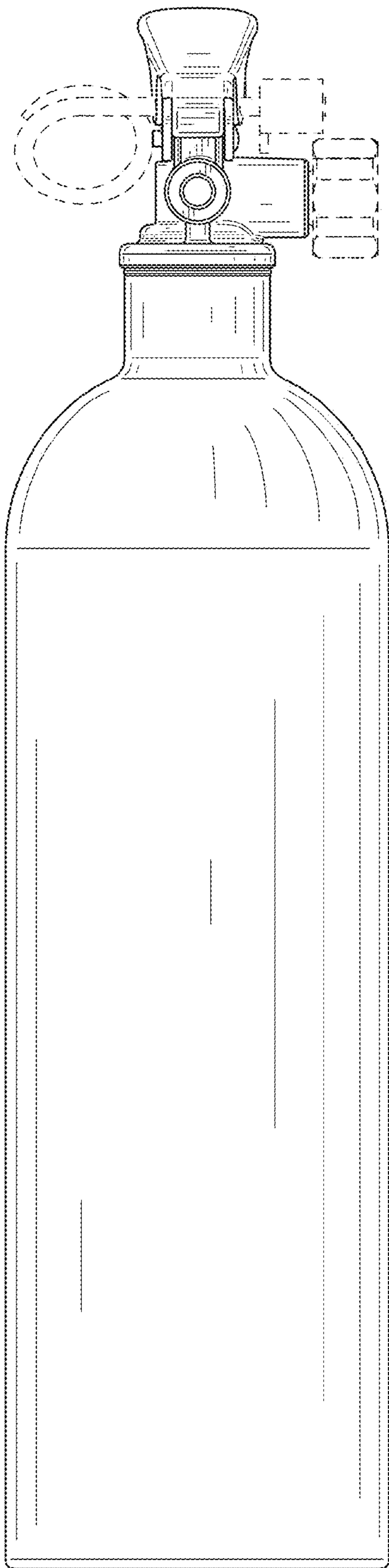


FIG. 25

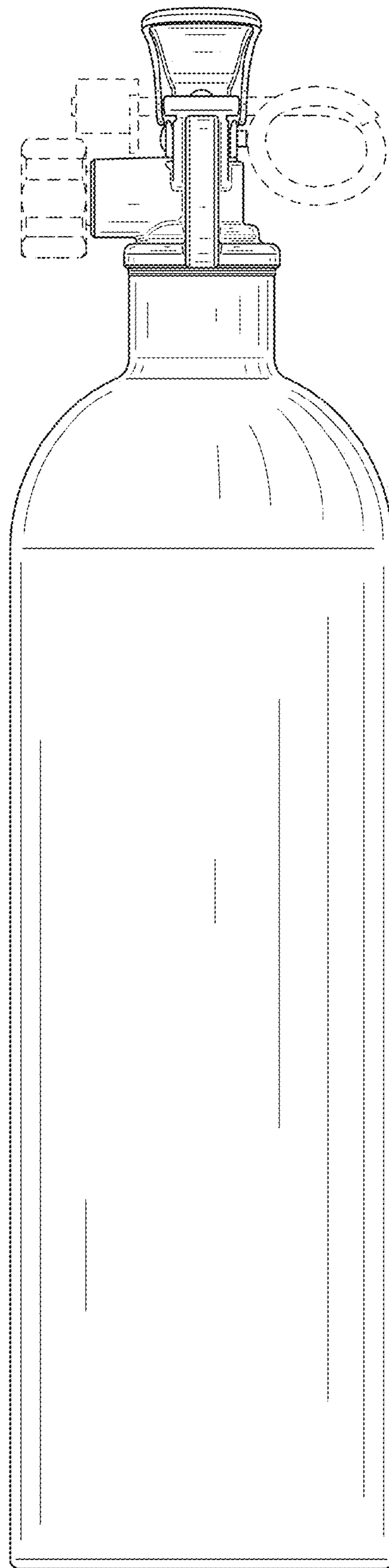


FIG. 26

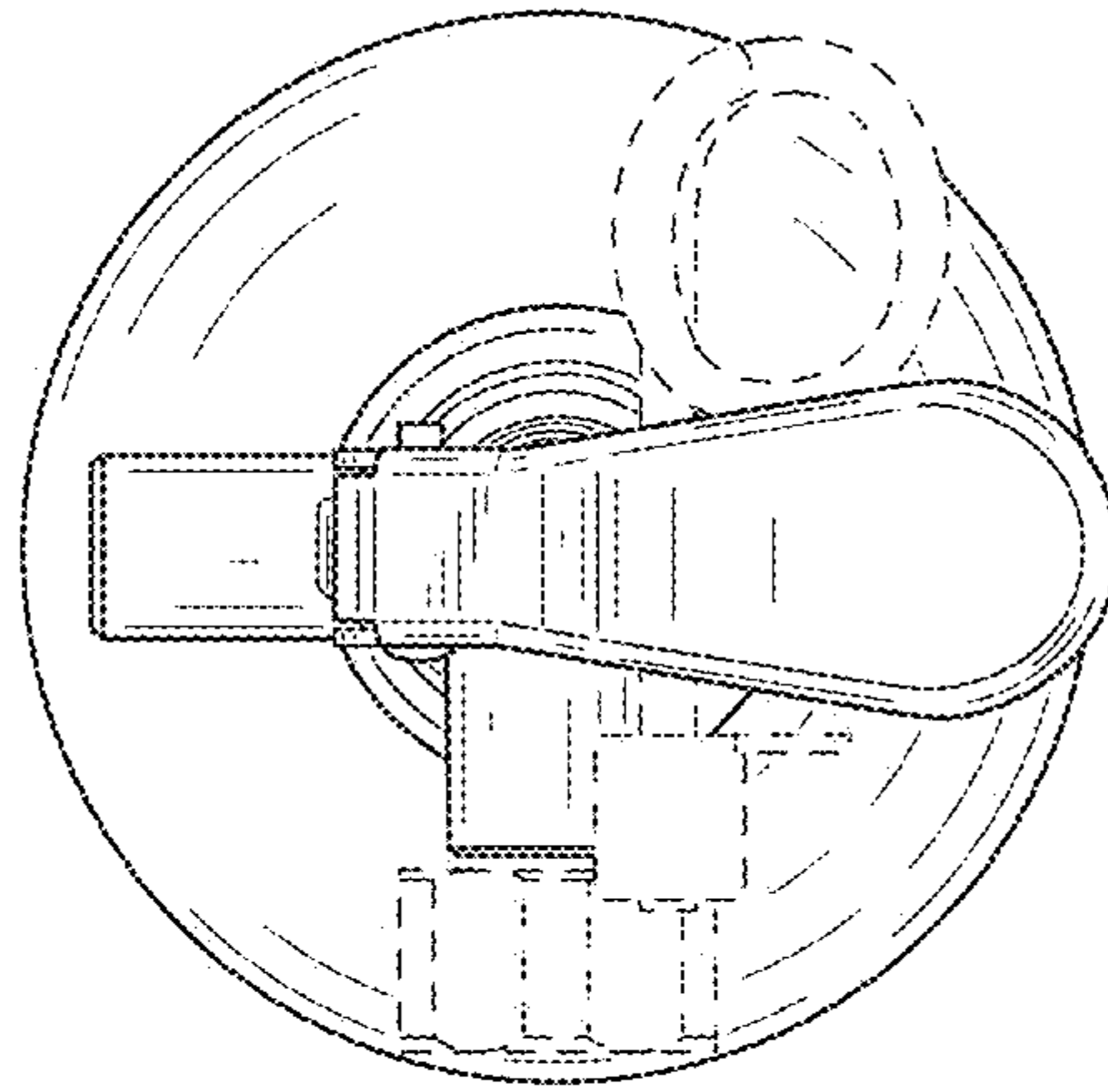


FIG. 27

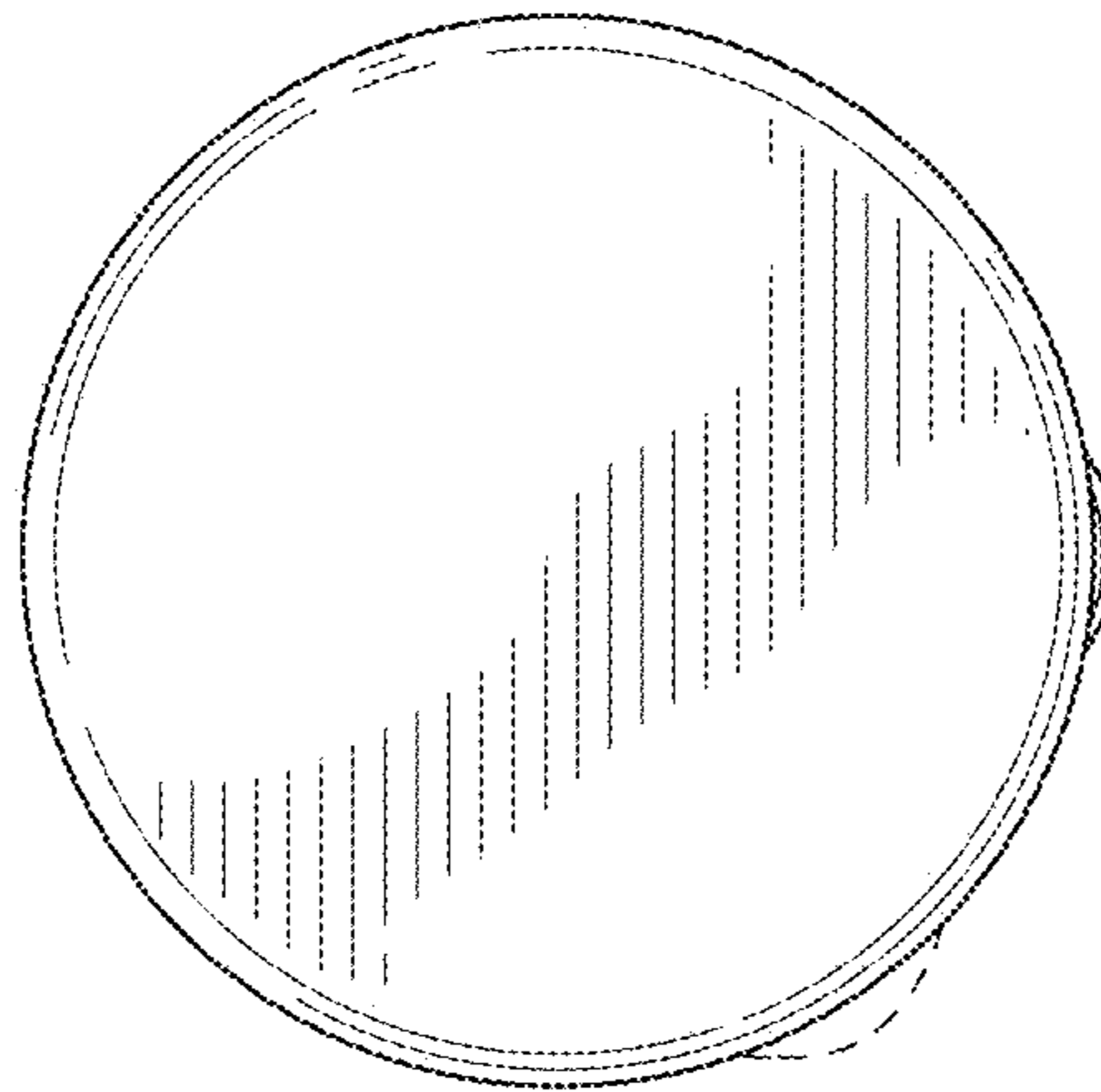


FIG. 28

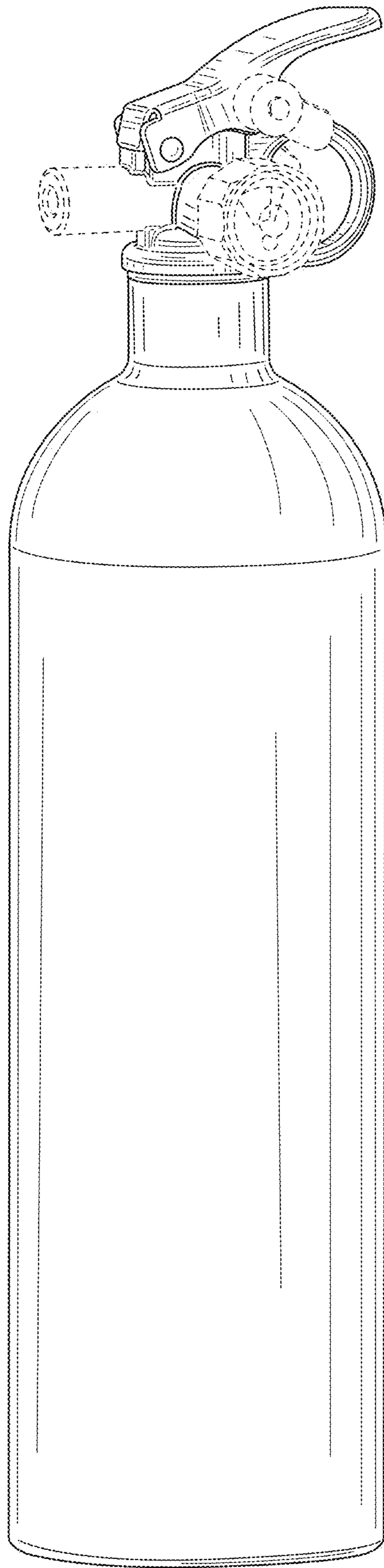


FIG. 29

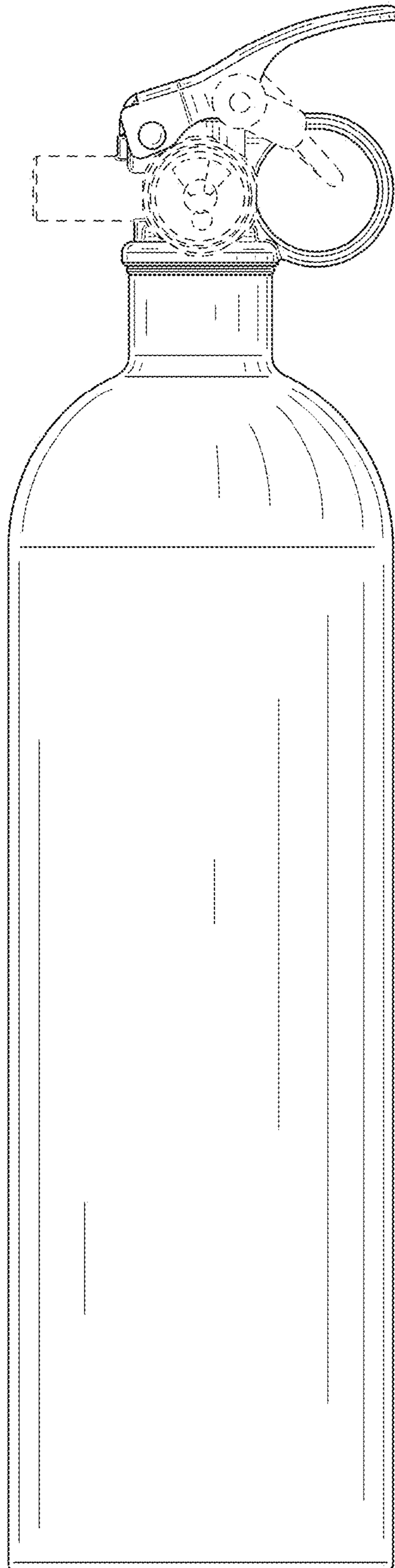


FIG. 30

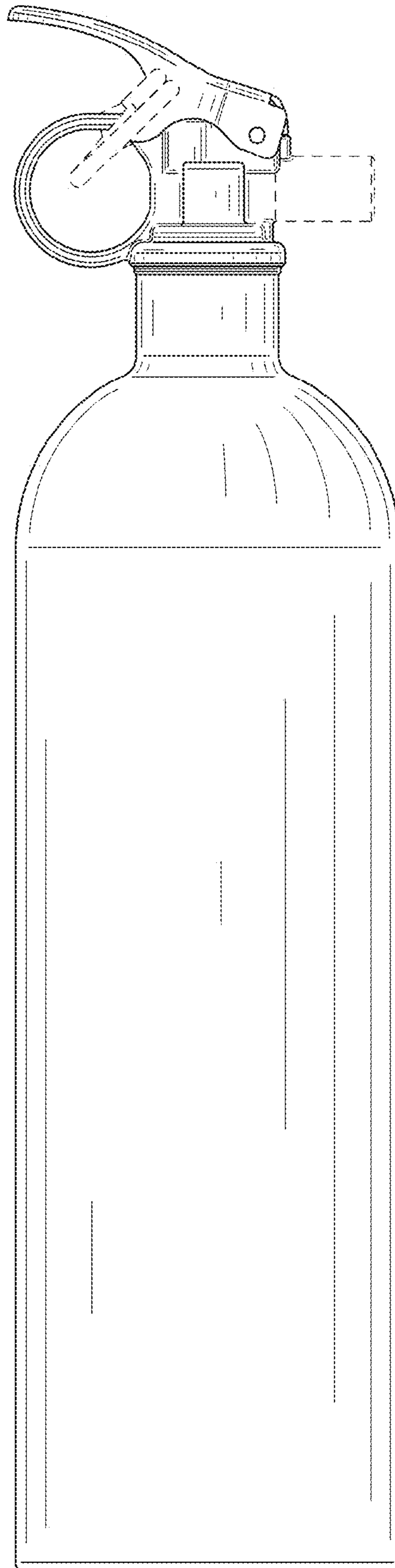


FIG. 31

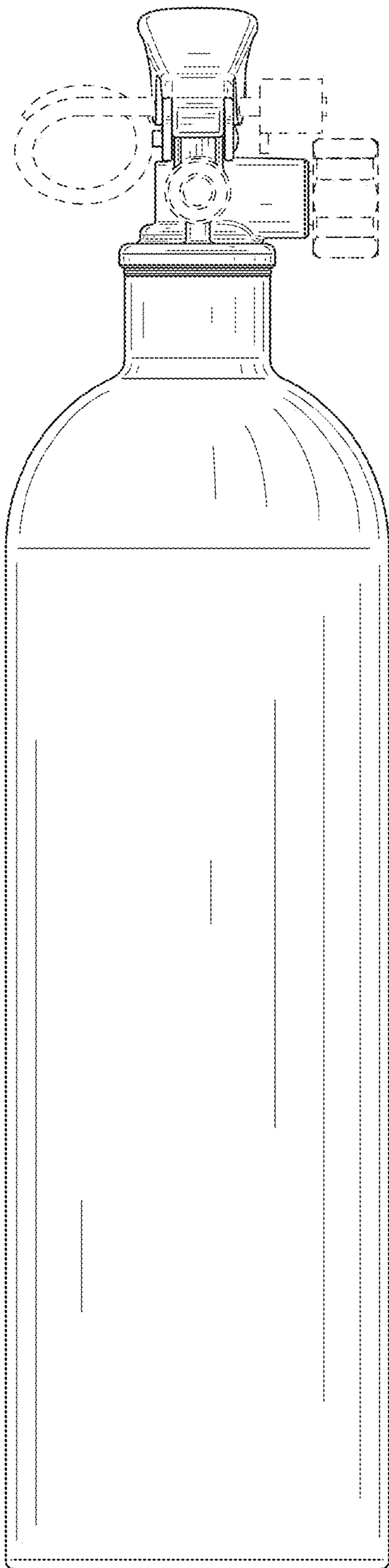


FIG. 32

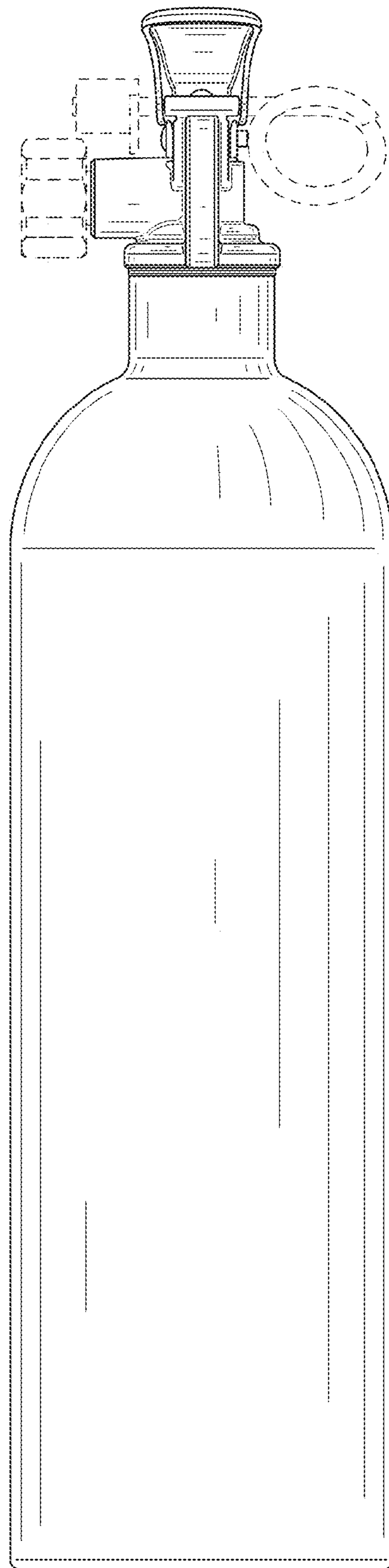


FIG. 33

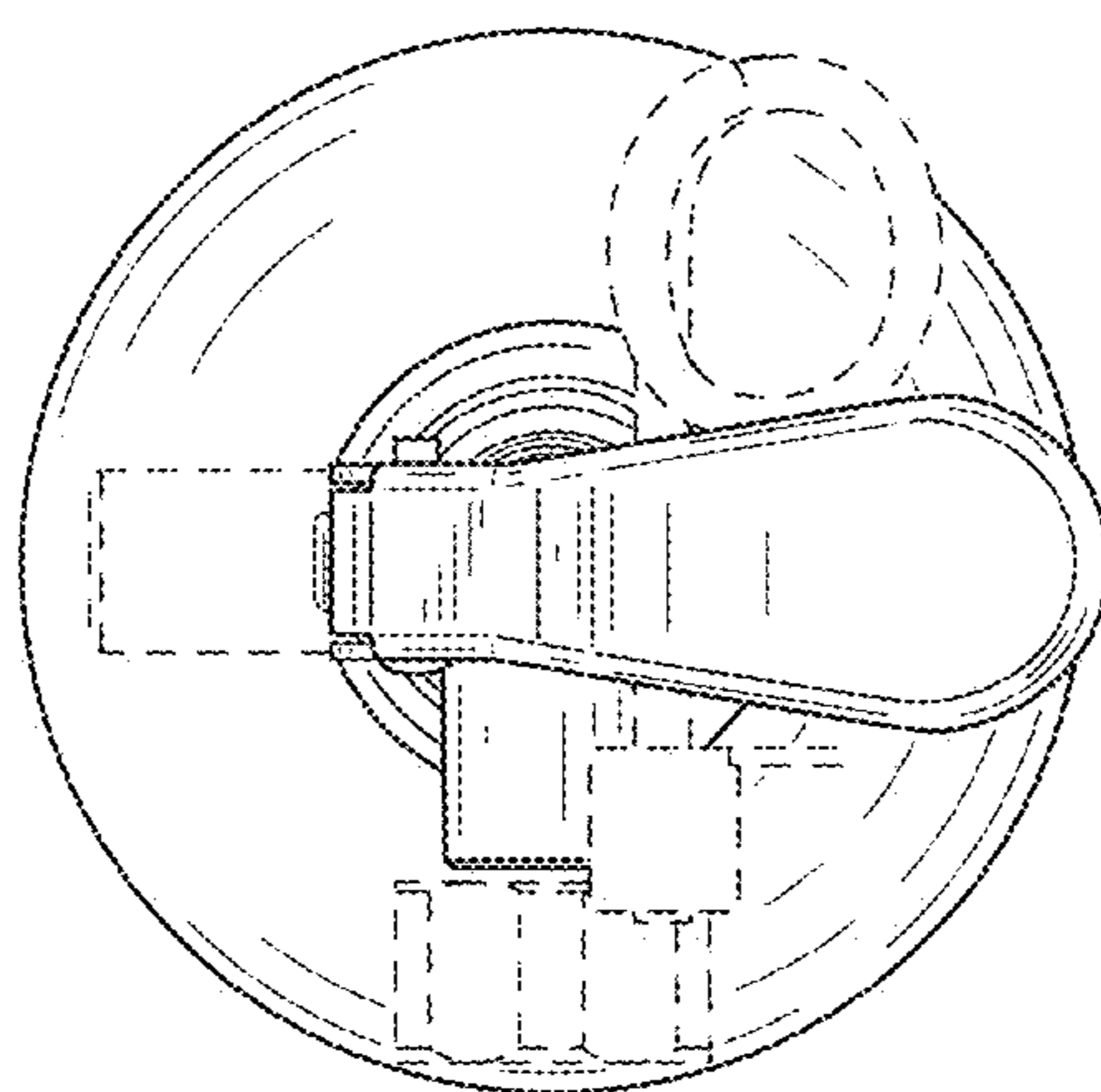


FIG. 34

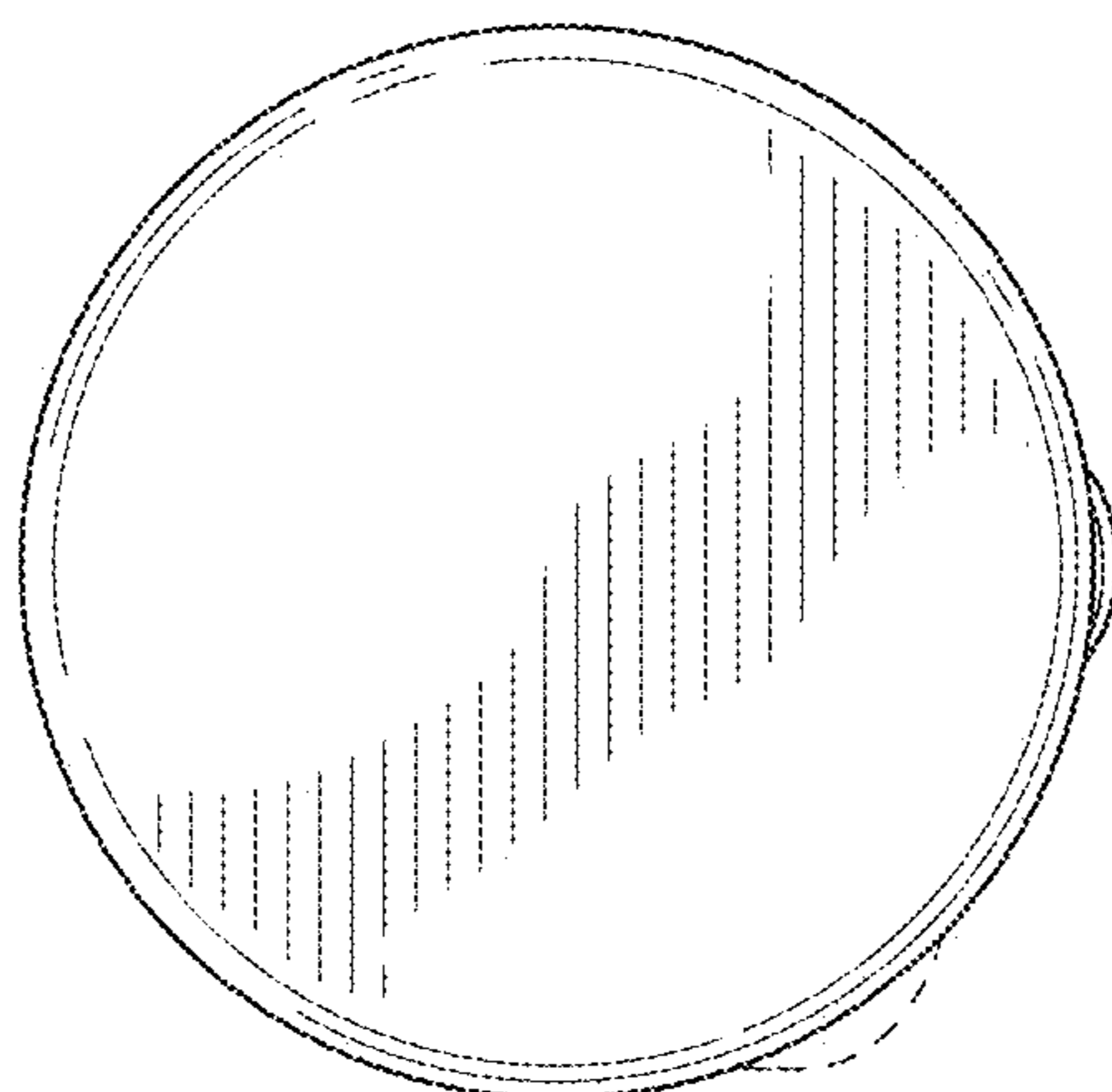


FIG. 35

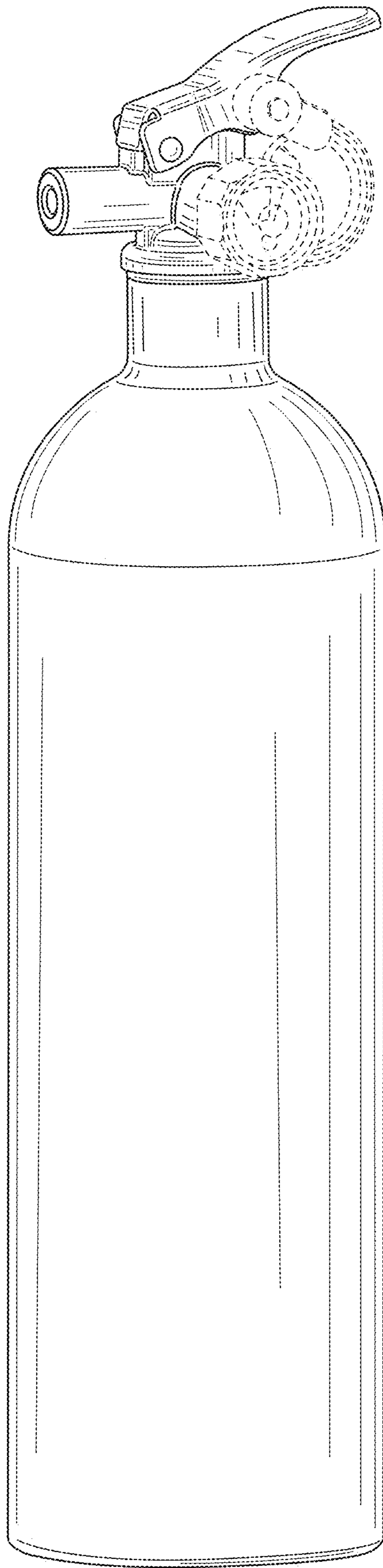


FIG. 36

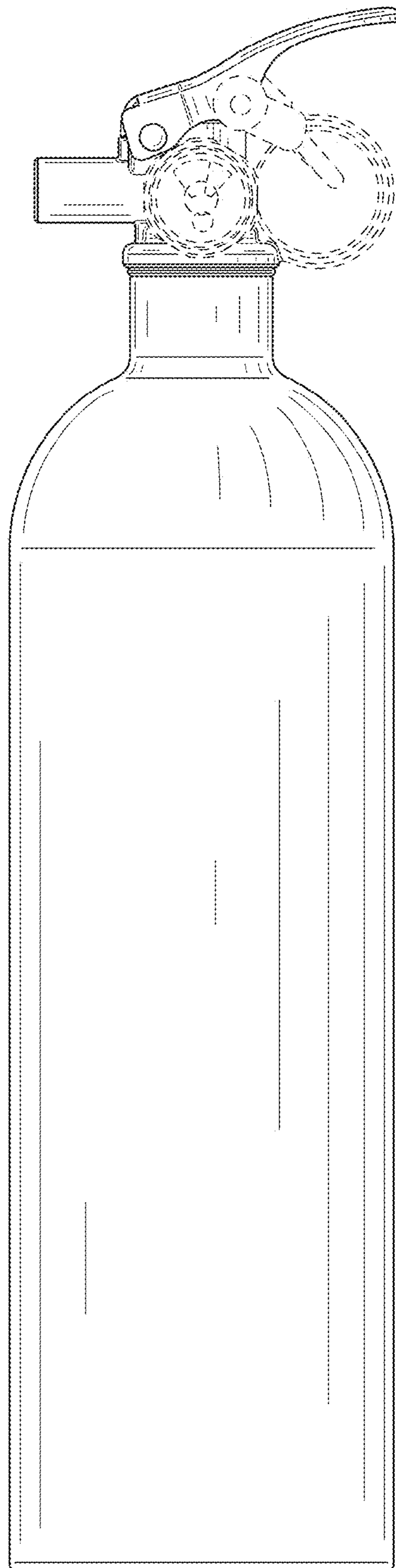


FIG. 37

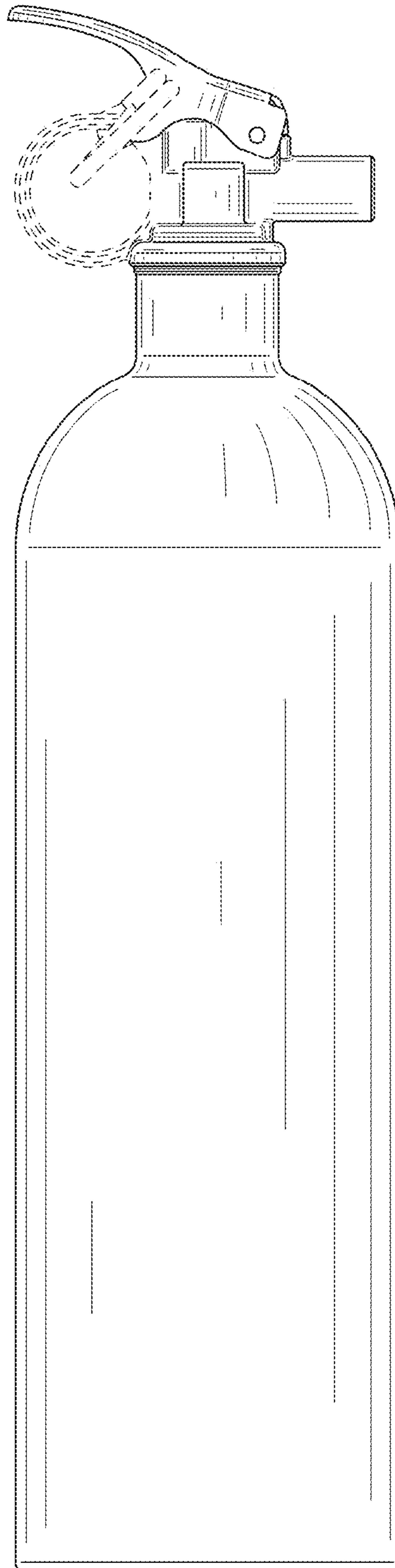


FIG. 38

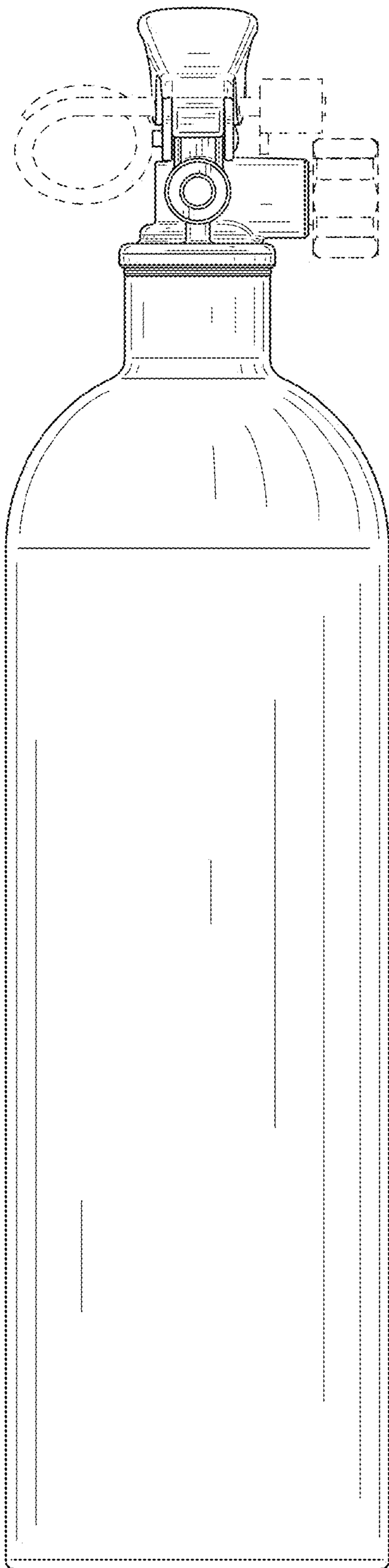


FIG. 39

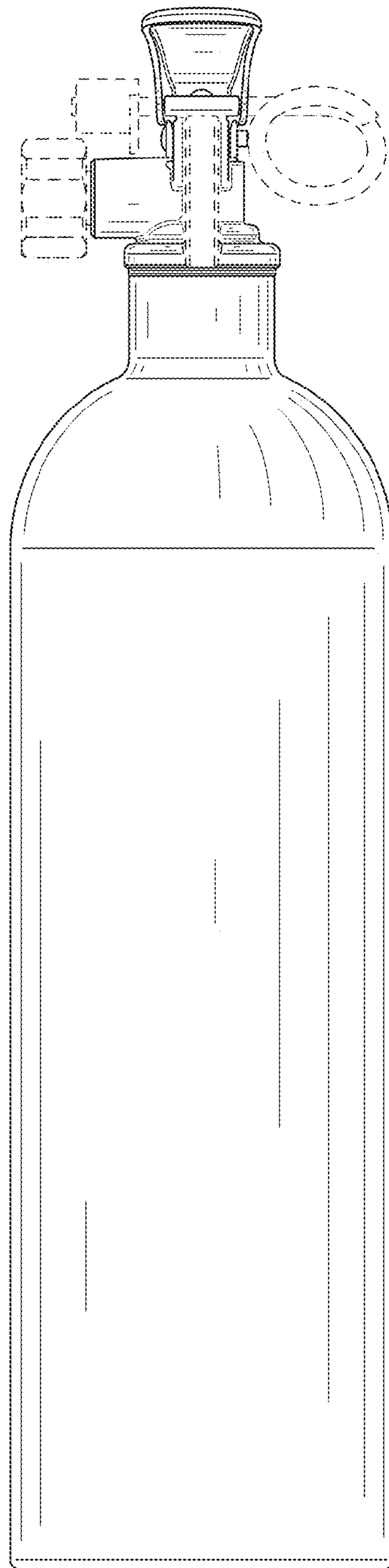


FIG. 40

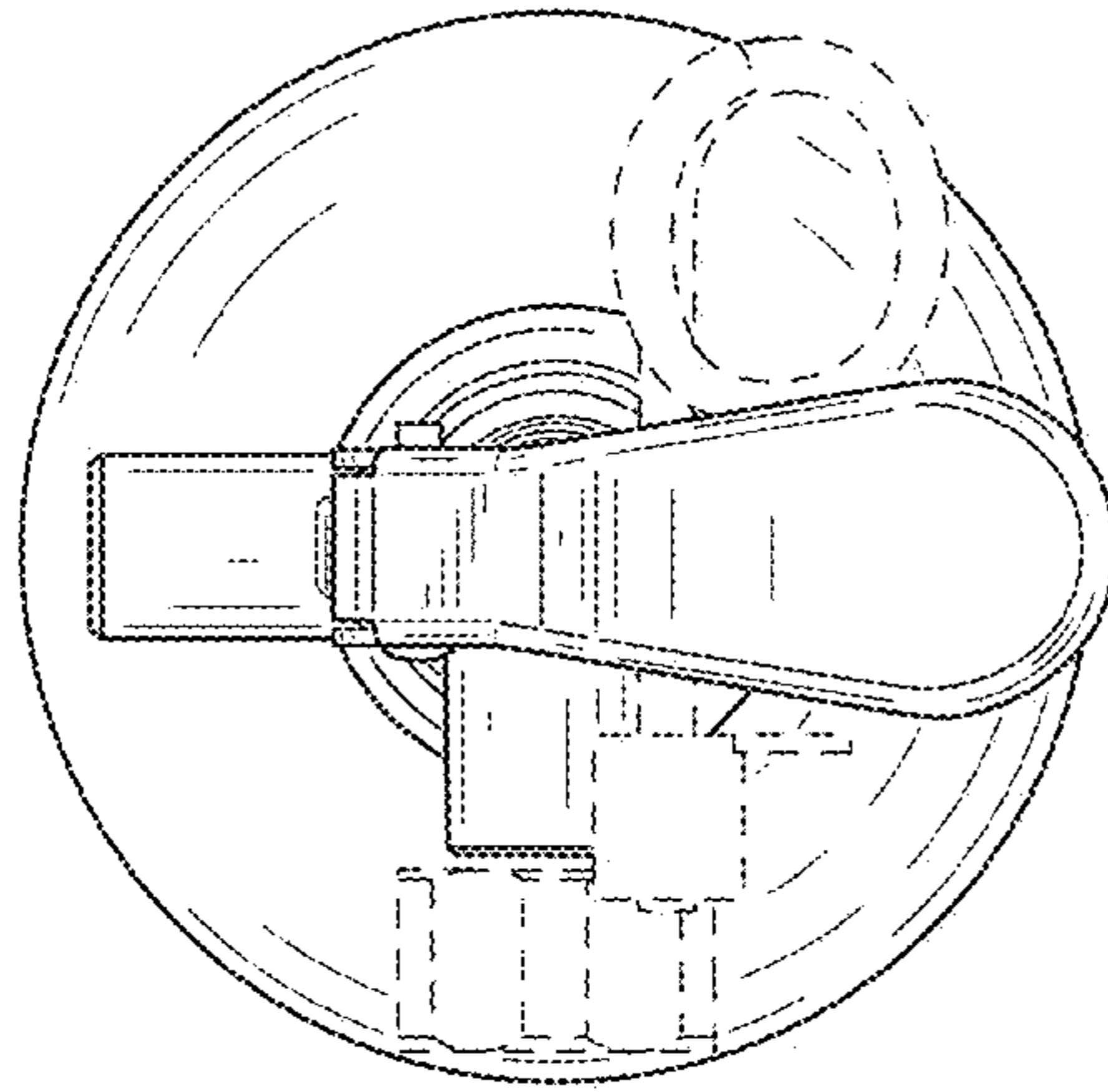


FIG. 41

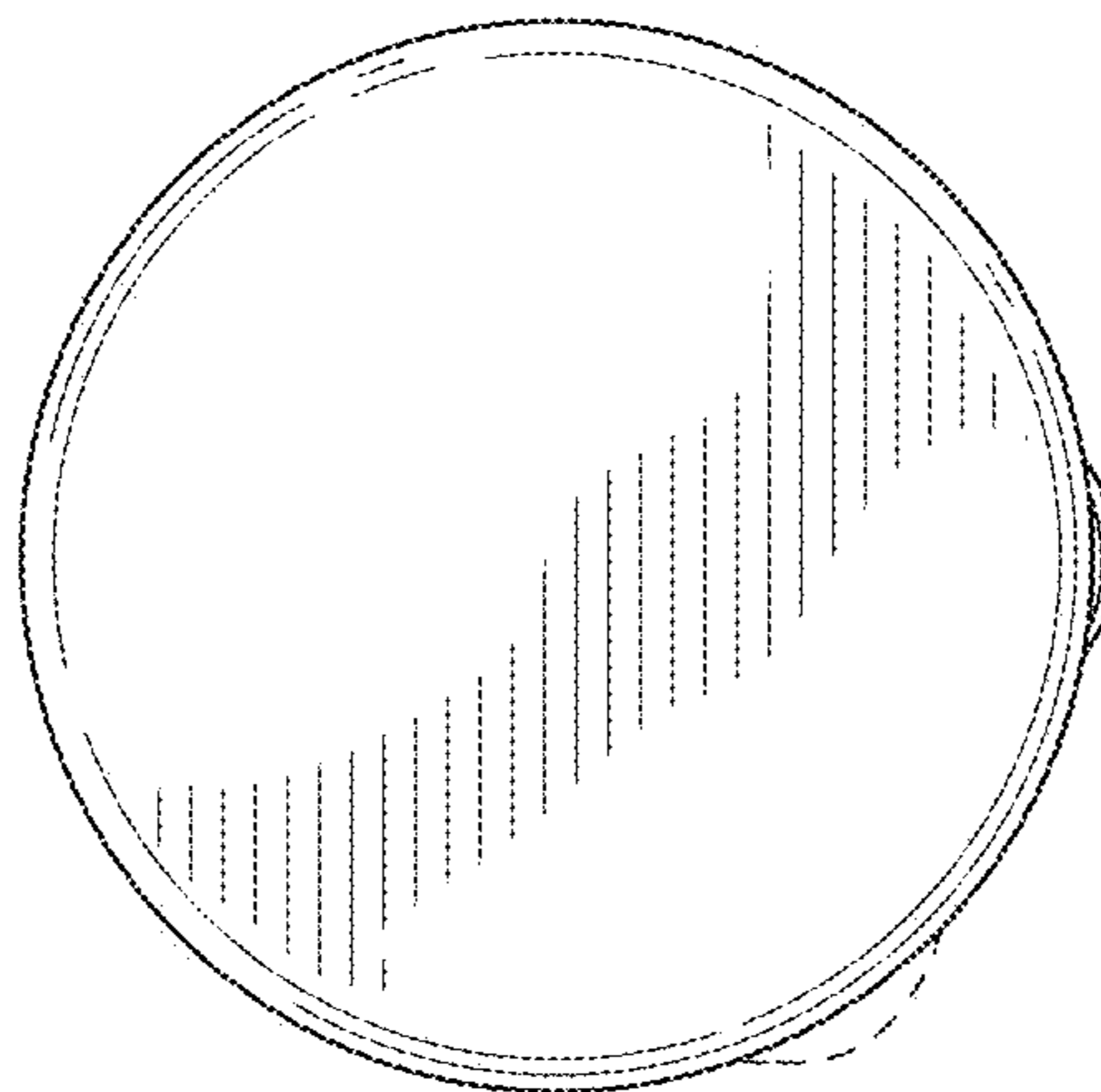


FIG. 42