



US00D872369S

(12) **United States Design Patent** (10) **Patent No.:** **US D872,369 S**  
**Le** (45) **Date of Patent:** **\*\* Jan. 7, 2020**

(54) **LAMP FOR CURING GEL NAIL POLISH**  
(71) Applicant: **Michael Nghiem Le**, Wichita, KS (US)  
(72) Inventor: **Michael Nghiem Le**, Wichita, KS (US)  
(73) Assignee: **Millenia Productions, LLC**, Wichita, KS (US)  
(\*\*) Term: **15 Years**

(21) Appl. No.: **29/657,338**

(22) Filed: **Jul. 20, 2018**

(51) **LOC (12) Cl.** ..... **28-03**

(52) **U.S. Cl.**  
USPC ..... **D28/58**

(58) **Field of Classification Search**  
USPC ..... D28/12, 13, 45-50, 54.1, 58, 99  
CPC ..... A47L 25/00; A47L 25/005; B26B 19/14;  
B26B 19/34; B26B 19/44; A45D 29/00;  
A45D 44/02; A45D 2200/205; F26B  
3/34; F26B 3/347; G21K 5/00

See application file for complete search history.

(56) **References Cited**

**U.S. PATENT DOCUMENTS**

D381,464 S \* 7/1997 Schaeffer ..... D28/54.1  
D662,259 S \* 6/2012 Vu ..... D28/54.1  
8,242,475 B1 \* 8/2012 Cheng ..... A45D 29/00  
118/620  
D692,617 S \* 10/2013 Haile ..... D28/58  
D702,400 S \* 4/2014 Valia ..... D28/54.1  
D715,494 S \* 10/2014 Kim ..... D28/54.1  
D751,761 S \* 3/2016 Jih ..... D28/54.1  
D755,442 S \* 5/2016 Jih ..... D28/54.1  
D765,314 S \* 8/2016 Loibl ..... D28/54.1  
D785,870 S \* 5/2017 Dadon ..... D28/54.1  
9,713,371 B1 \* 7/2017 Luu ..... A45D 29/00  
D805,692 S \* 12/2017 Cheng ..... D28/58

D811,010 S \* 2/2018 Tan ..... D28/58  
10,117,494 B1 \* 11/2018 Luu ..... A45D 29/00  
D838,042 S \* 1/2019 Ouyang ..... D28/58  
D838,043 S \* 1/2019 Ouyang ..... D28/58  
D842,546 S \* 3/2019 Ouyang ..... D28/58  
2014/0166901 A1 \* 6/2014 Haile ..... A45D 29/00  
250/455.11  
2014/0231677 A1 \* 8/2014 Cheng ..... A45D 29/00  
250/492.1  
2016/0095410 A1 \* 4/2016 Wan ..... A45D 29/00  
362/362  
2017/0127790 A1 \* 5/2017 Huang ..... A45D 29/00

\* cited by examiner

*Primary Examiner* — Jennifer Rivard

*Assistant Examiner* — Alison M Ofstun

(74) *Attorney, Agent, or Firm* — Robert O. Blinn

(57) **CLAIM**

The ornamental design for a lamp for curing gel nail polish, as shown and described.

**DESCRIPTION**

FIG. 1 is a perspective view of the lamp for curing gel nail polish showing my new design.

FIG. 2 is a front view of the lamp for curing gel nail polish showing my new design.

FIG. 3 is a rear view of the lamp for curing gel nail polish showing my new design.

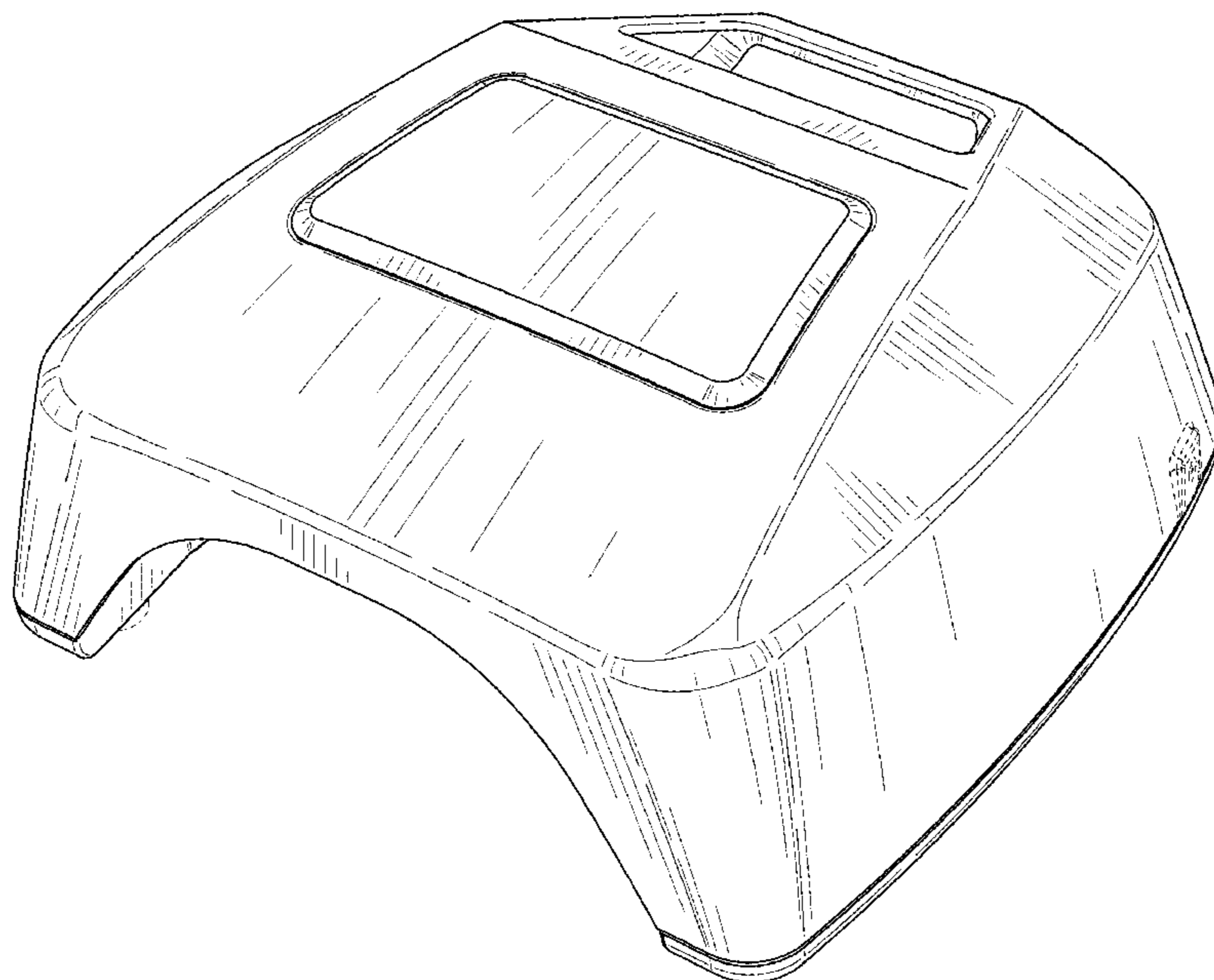
FIG. 4 is a right side view of the lamp for curing gel nail polish showing my new design.

FIG. 5 is a left side view of the lamp for curing gel nail polish showing my new design; and,

FIG. 6 is a top view of the lamp for curing gel nail polish showing my new design.

The broken lines in the figures represent portions of the article which form no part of the claimed design.

**1 Claim, 5 Drawing Sheets**



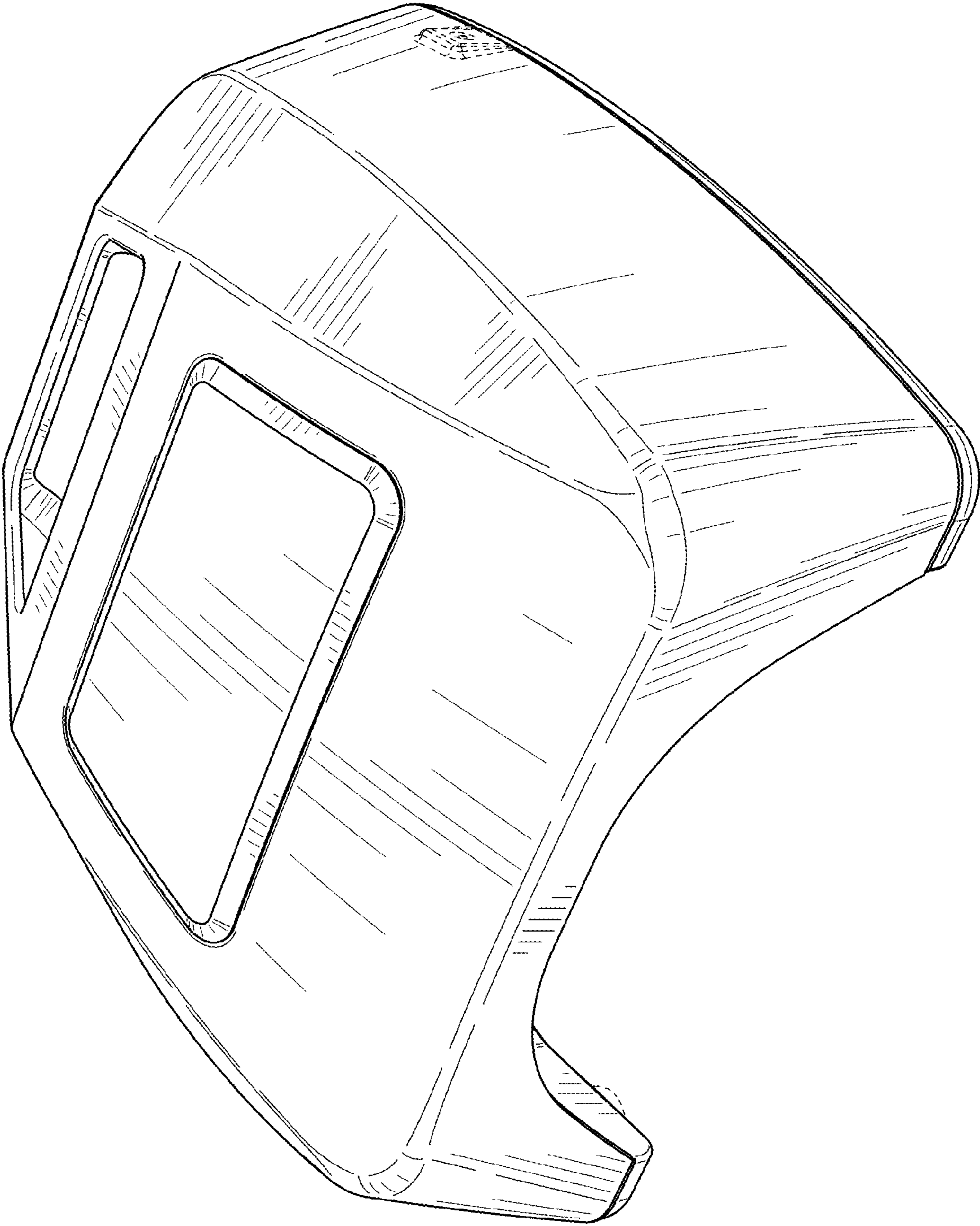


FIG. 1

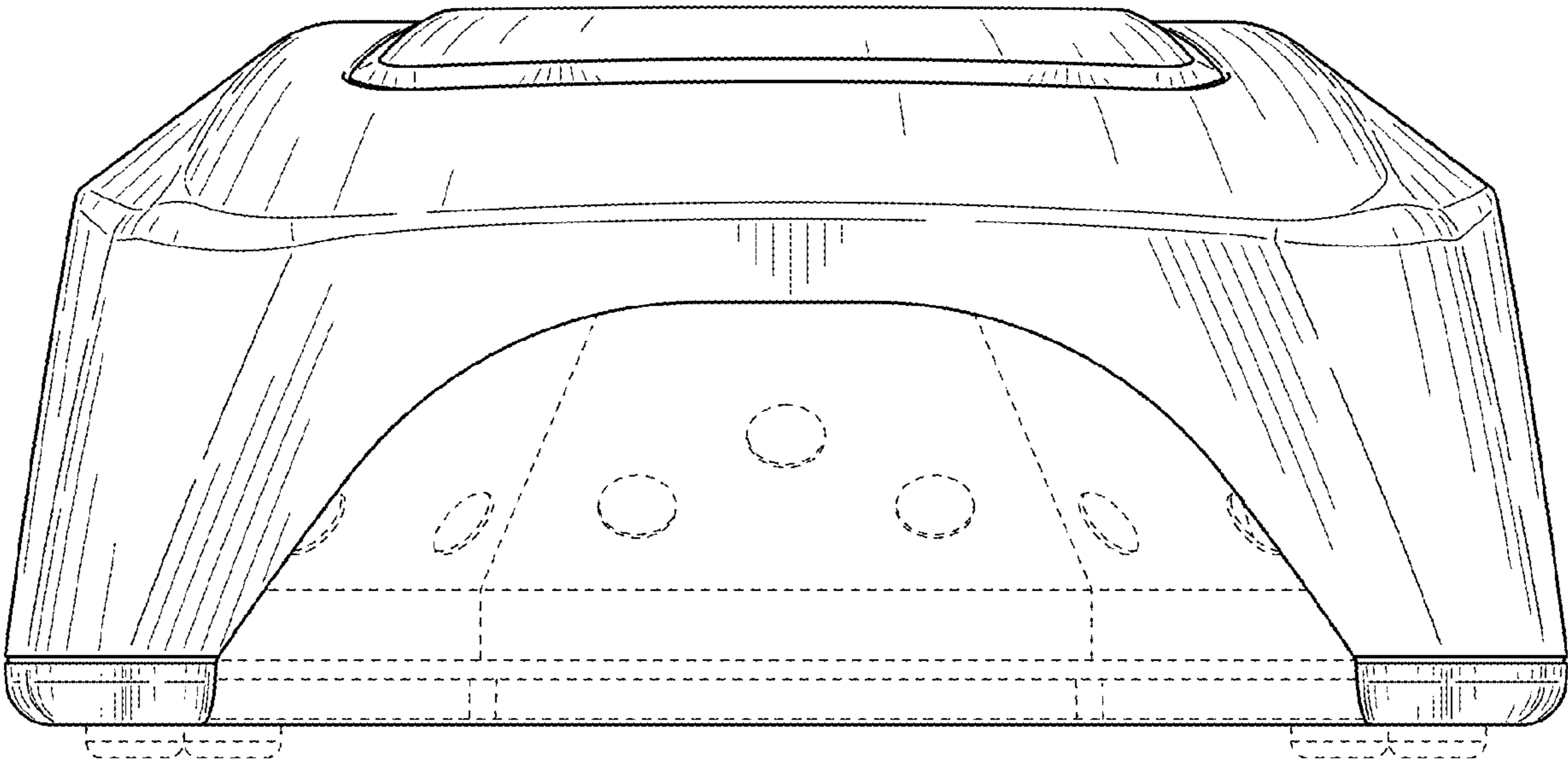


FIG. 2

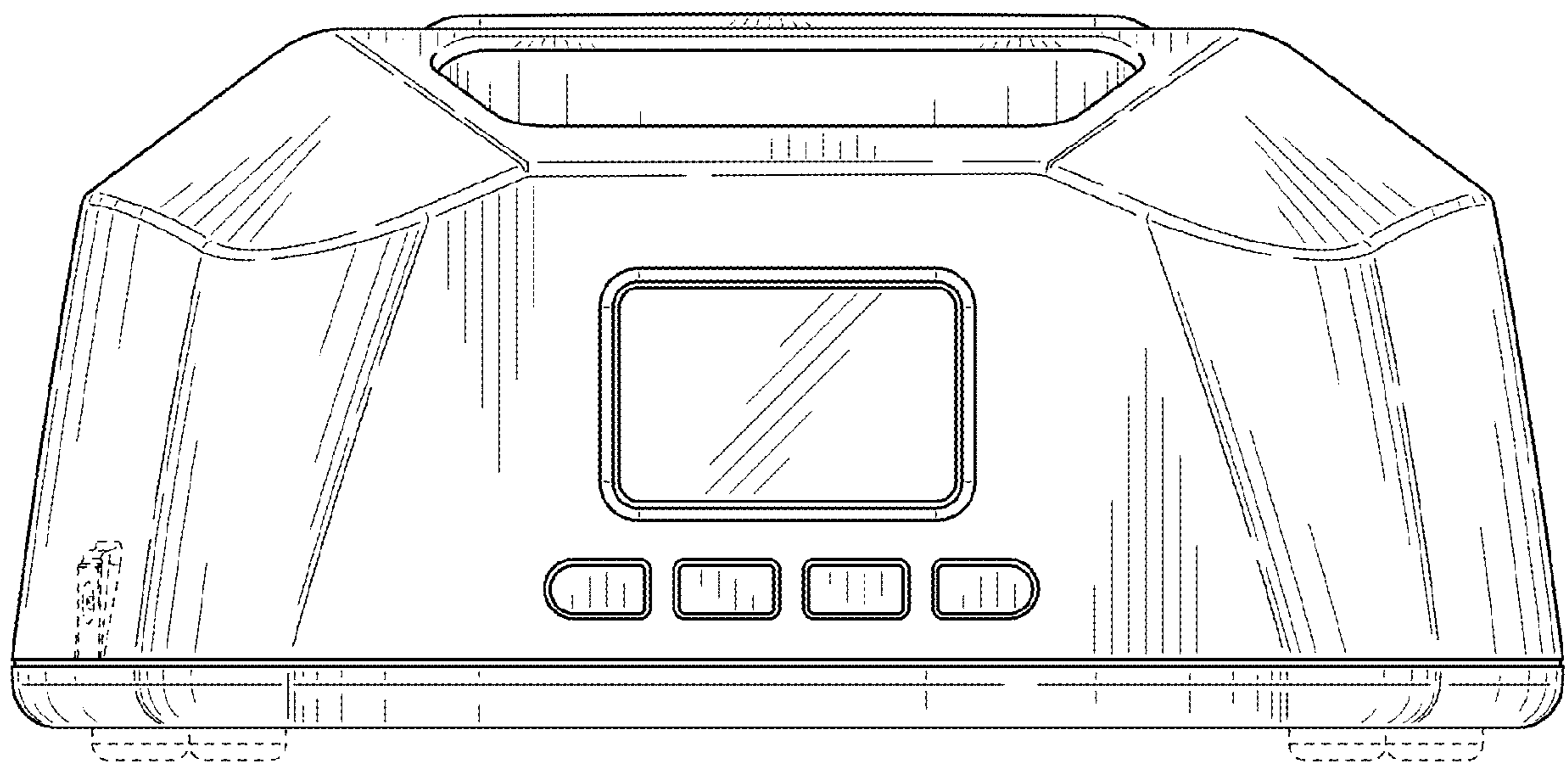


FIG. 3

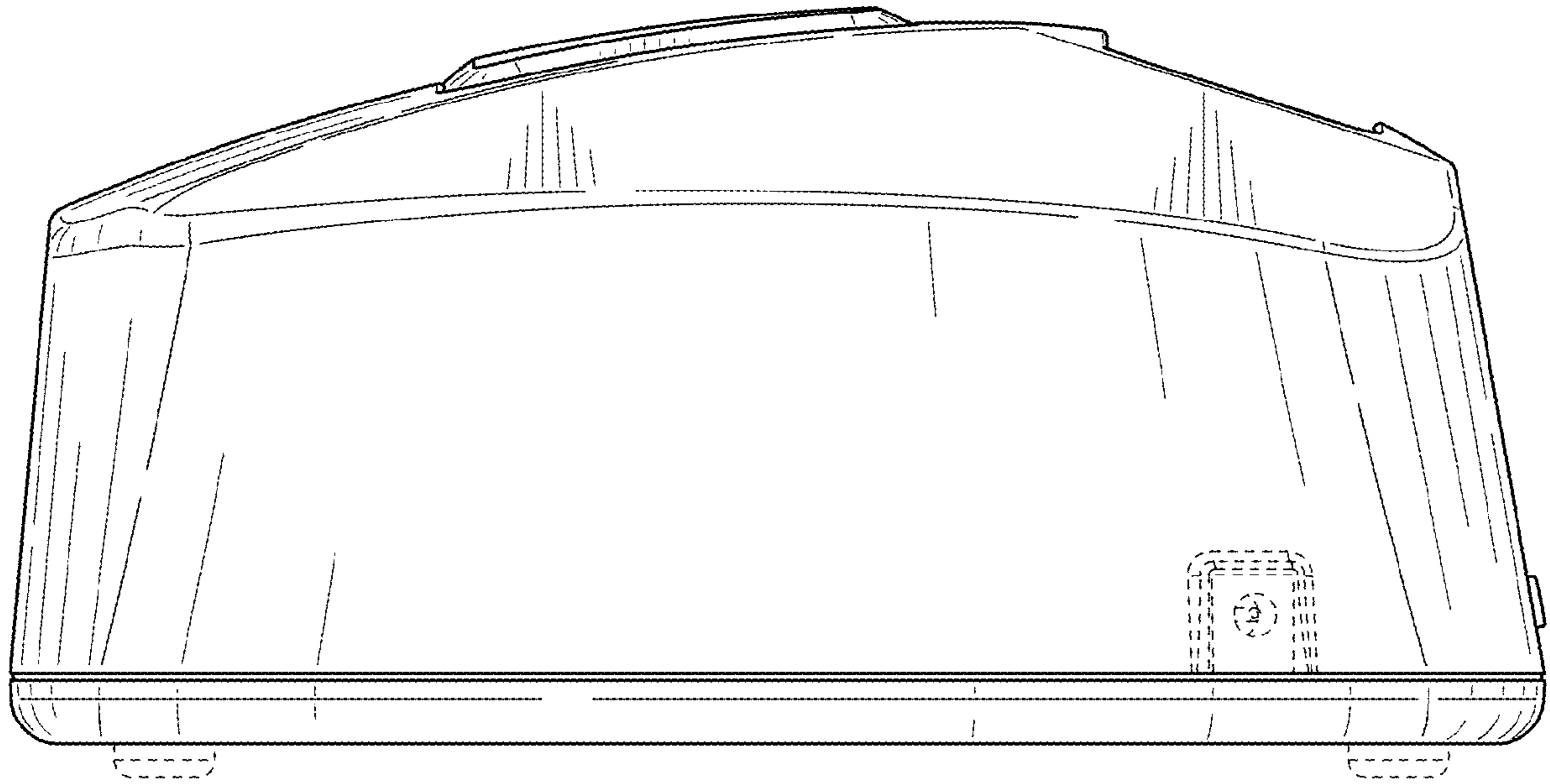


FIG. 4

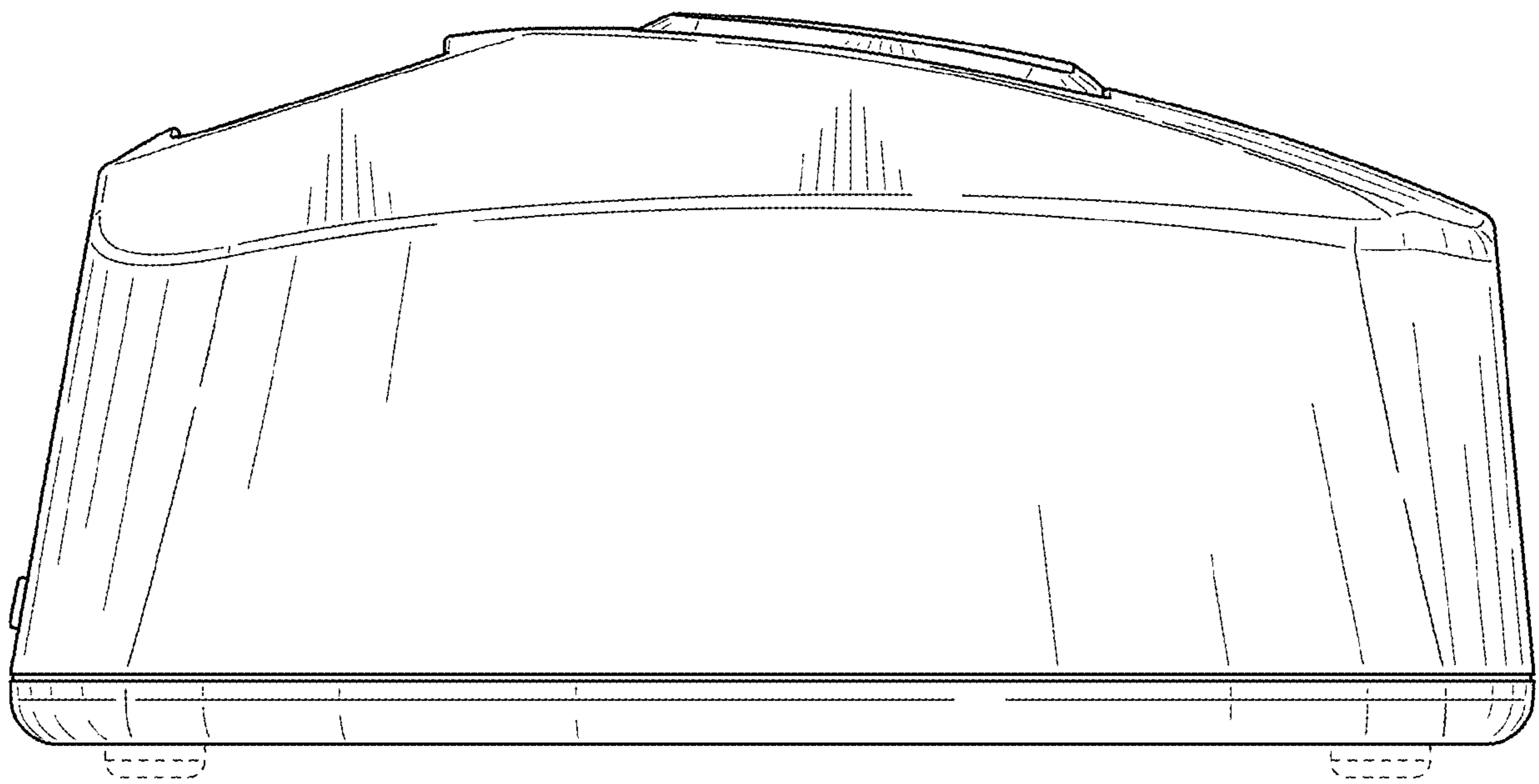


FIG. 5

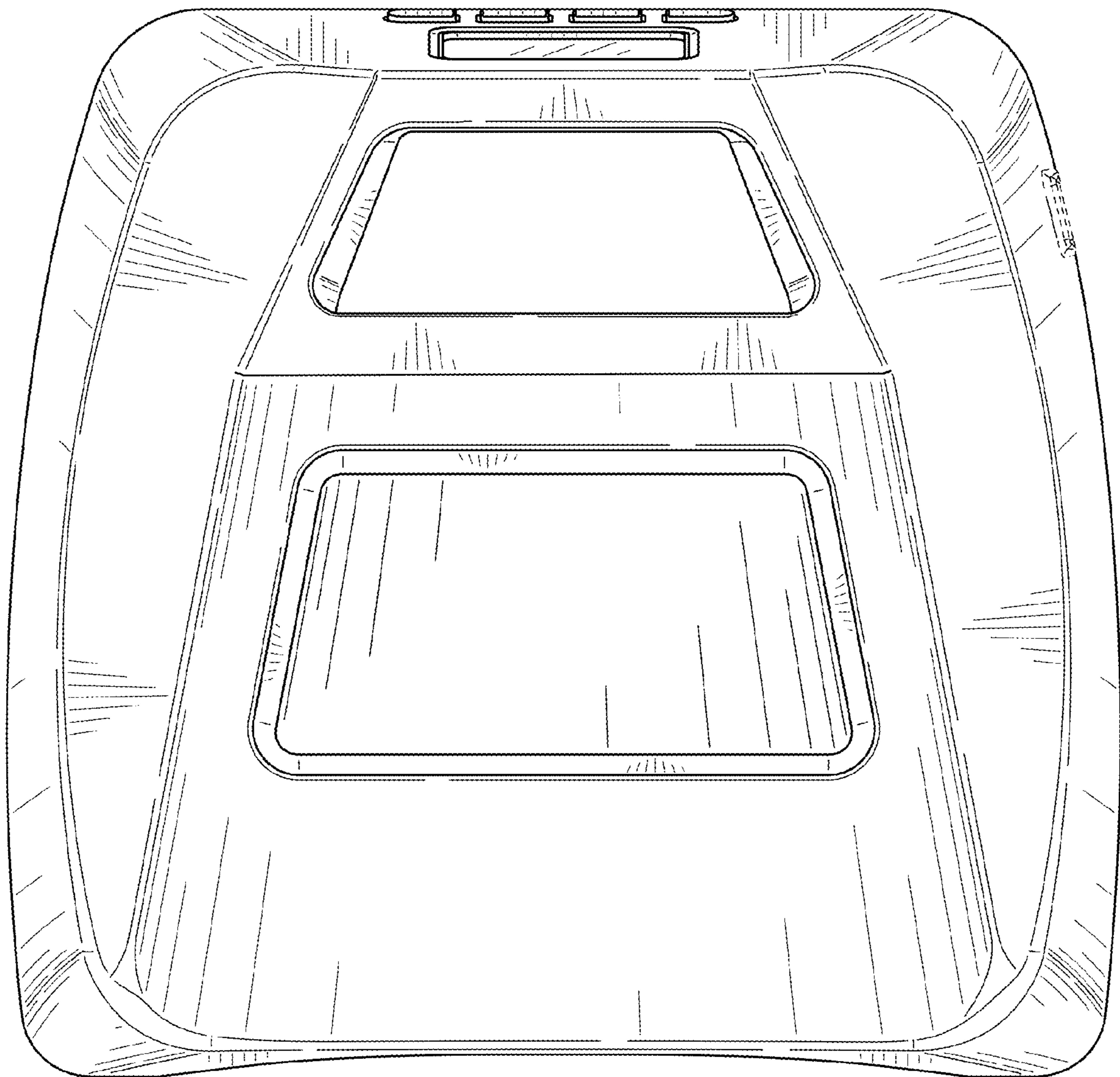


FIG. 6