



US00D872368S

(12) **United States Design Patent** (10) **Patent No.:** **US D872,368 S**
Gagnon et al. (45) **Date of Patent:** **** *Jan. 7, 2020**

(54) **HAND DRYING FIXTURE**

(71) Applicant: **Excel Dryer, Inc.**, East Longmeadow, MA (US)

(72) Inventors: **William Gagnon**, Somers, CT (US);
Denis Gagnon, Wilbraham, MA (US)

(73) Assignee: **Excel Dryer, Inc.**, East Longmeadow, MA (US)

(*) Notice: This patent is subject to a terminal disclaimer.

(**) Term: **15 Years**

(21) Appl. No.: **29/609,499**

(22) Filed: **Jun. 30, 2017**

(51) **LOC (12) Cl.** **28-03**

(52) **U.S. Cl.**

USPC **D28/54.1**

(58) **Field of Classification Search**

USPC D28/54.1; D8/303, 307, 308

CPC A47K 10/48; A47K 10/24; A47K 10/00;

A47K 2210/00; A47K 2201/00; A47K

2201/02; A47K 4/00; A47K 5/00; A47K

5/12; A47K 5/1218; A47K 2010/3668;

E03C 1/01; E03C 1/051; F26B 9/00

See application file for complete search history.

(56) **References Cited**

U.S. PATENT DOCUMENTS

D297,257 S *	8/1988	Kohler, Jr.	D23/252
D549,545 S *	8/2007	Schneider	D8/308
D714,493 S *	9/2014	Liu	A47K 10/48
			D28/54.1
D721,165 S *	1/2015	Downey	D23/255
D734,121 S *	7/2015	Schneider	D8/308
D756,742 S *	5/2016	Nishida Watson	D8/308
D785,436 S *	5/2017	Carlino	D8/308
D799,644 S *	10/2017	Sieger	D23/242
D806,509 S *	1/2018	Weise	D8/308

D811,193 S *	2/2018	Hsu	D8/308
D811,535 S *	2/2018	Wieser	D23/239
9,945,103 B2 *	4/2018	Thompson	E03B 7/075
2013/0199640 A1 *	8/2013	Williamson	E03C 1/04
			137/594
2017/0367548 A1 *	12/2017	Voegeli	A47K 10/48

OTHER PUBLICATIONS

Massachusetts company working on the future of restroom hand dryers, posted Aug. 18, 2014 [online], retrieved Apr. 24, 2018, retrieved from internet, <<https://www.bizjournals.com/boston/blog/techflash/2014/08/massachusetts-company-working-on-the-future-of.html>>.*

Xlerator® Sink System, posted © 2018 [online], retrieved Apr. 24, 2018, retrieved from internet, <<https://www.exceldryer.com/xlerator-sink-system/>>.*

A Polite Hand Dryer? Just Ask Excel Dryer, posted © 2017 [online], retrieved Apr. 24, 2018, retrieved from internet, <<https://gbdmagazine.com/2017/new-hand-dryer/>>.*

* cited by examiner

Primary Examiner — Barbara Fox

Assistant Examiner — Messina L Smith

(74) *Attorney, Agent, or Firm* — O’Shea Getz P.C.

(57) **CLAIM**

The ornamental design for a hand drying fixture, as shown and described.

DESCRIPTION

FIG. 1 is a perspective view of a hand drying fixture, showing my new design;

FIG. 2 is a front view thereof;

FIG. 3 is a rear view thereof;

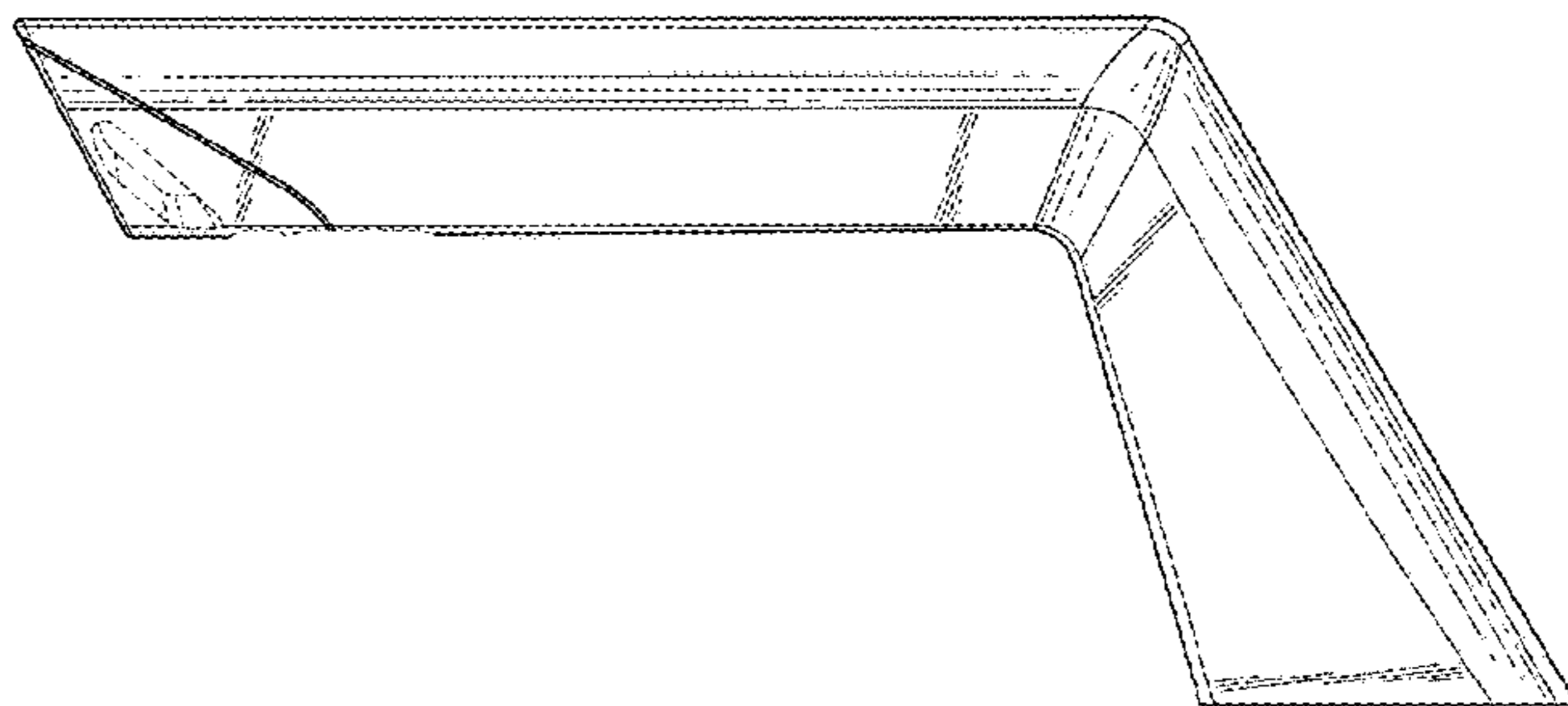
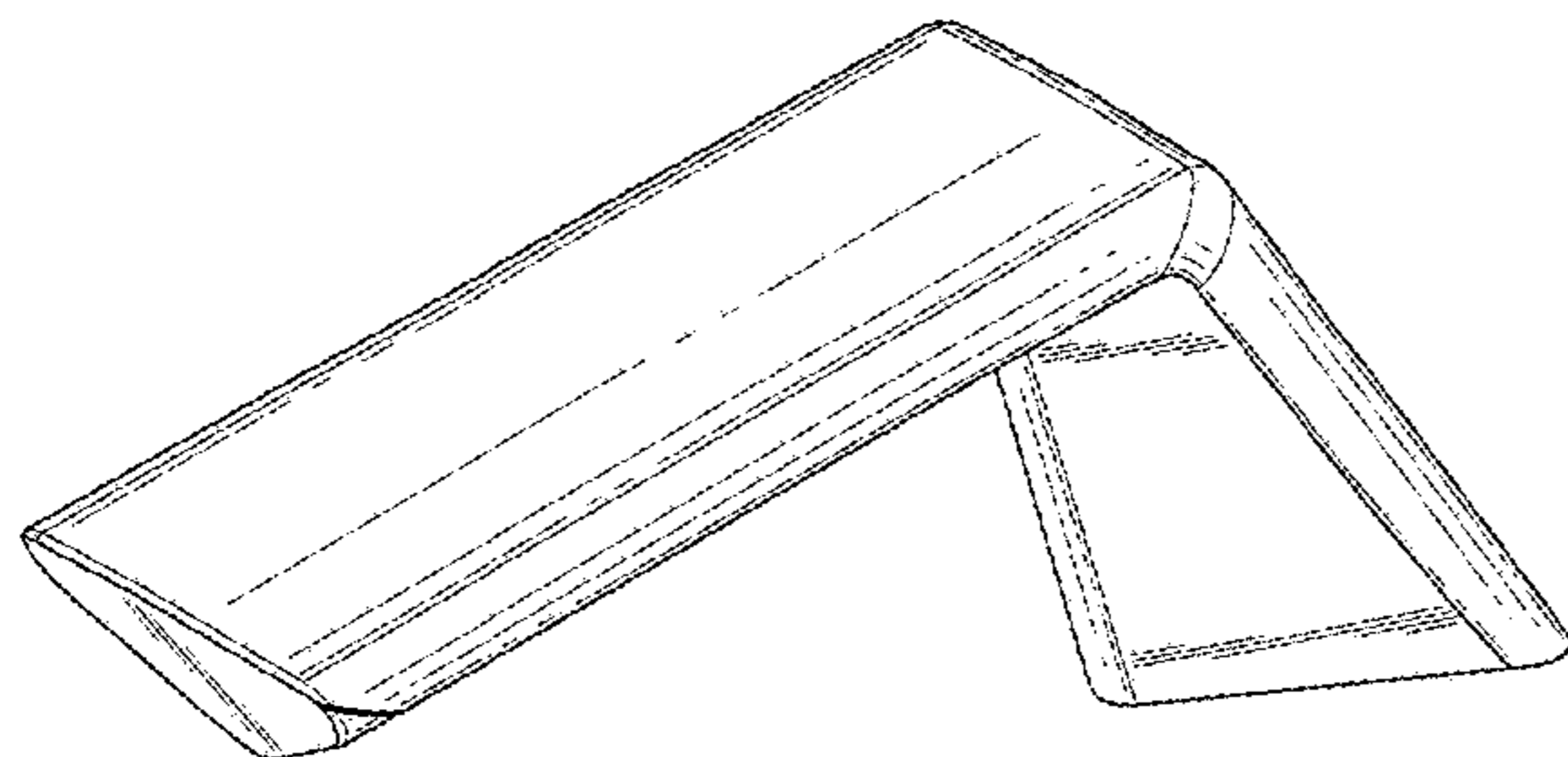
FIG. 4 is a right side view of the thereof, the left side view being a mirror image thereof;

FIG. 5 is a top view thereof; and,

FIG. 6 is a bottom view thereof.

The broken lines in the drawings depict portions of the hand drying fixture that form no part of the claimed design.

1 Claim, 4 Drawing Sheets



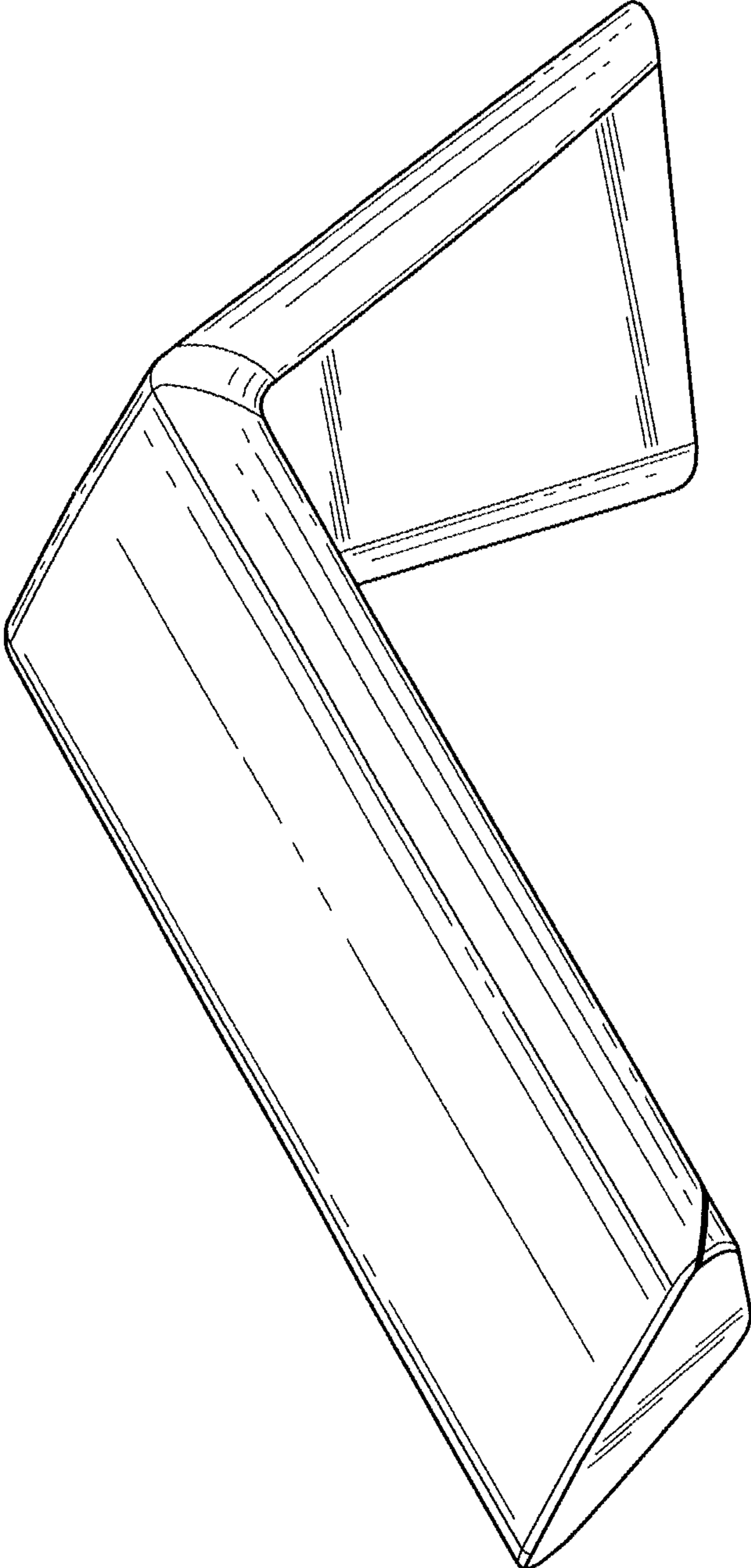


FIG. 1

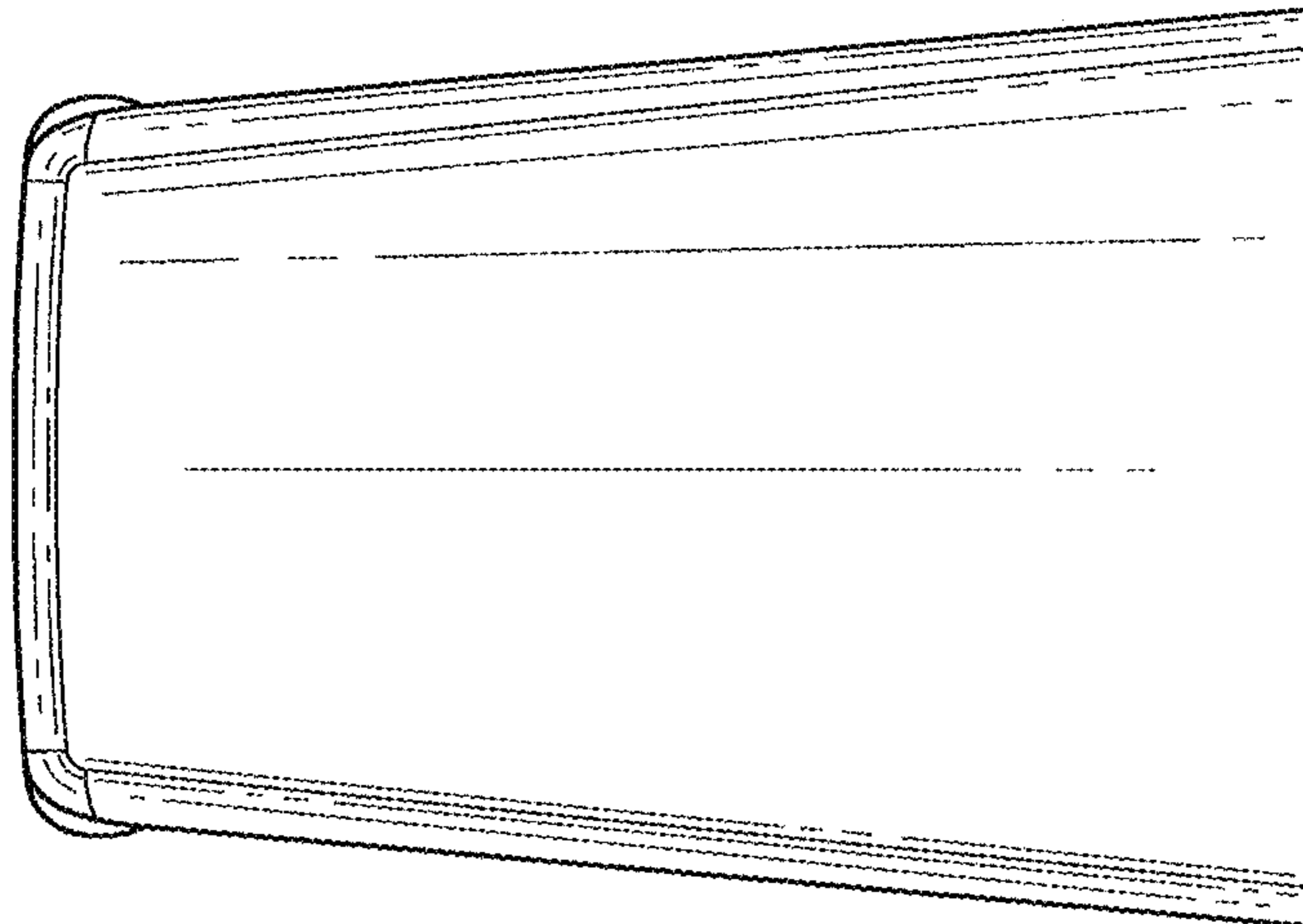


FIG. 3

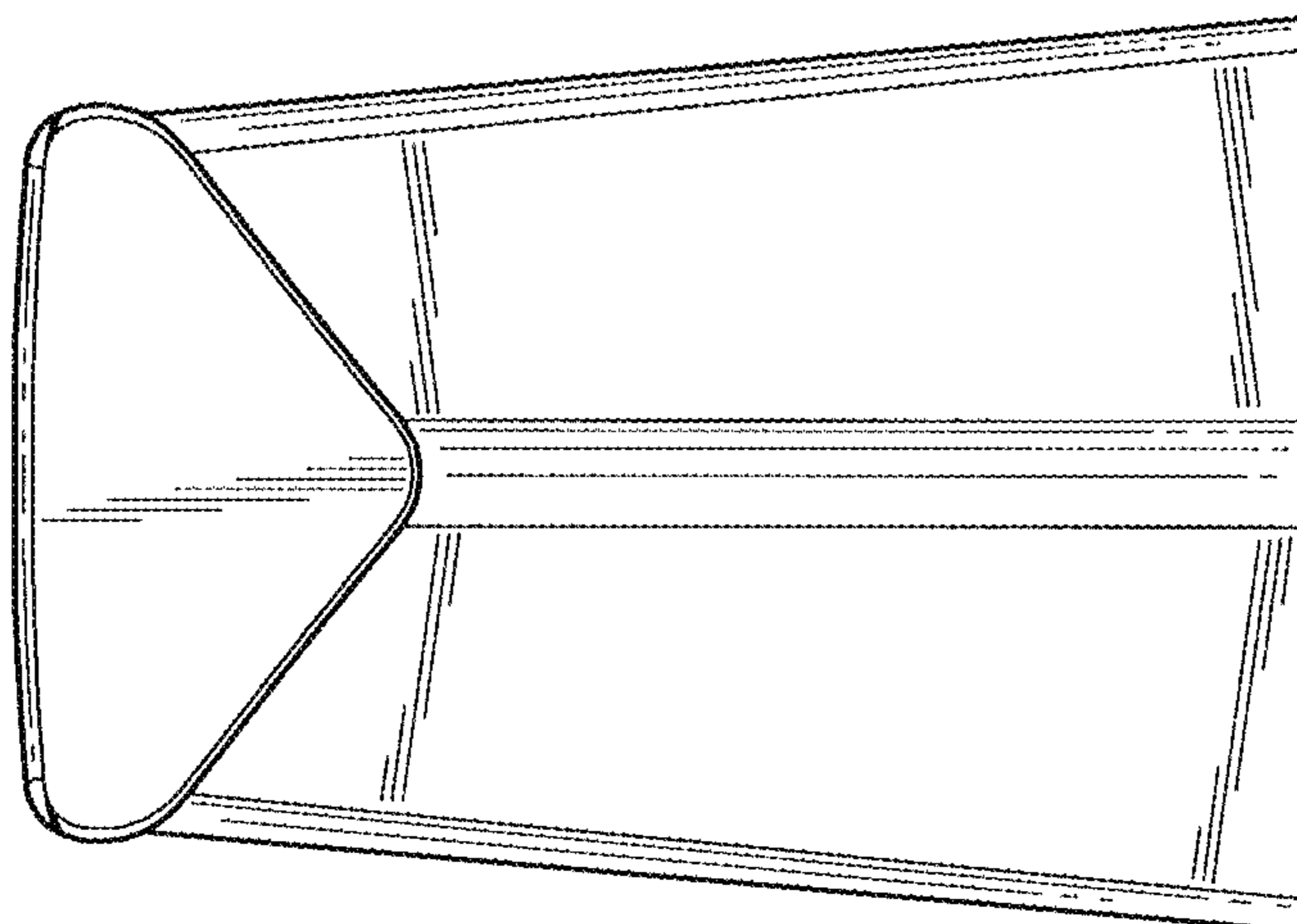


FIG. 2

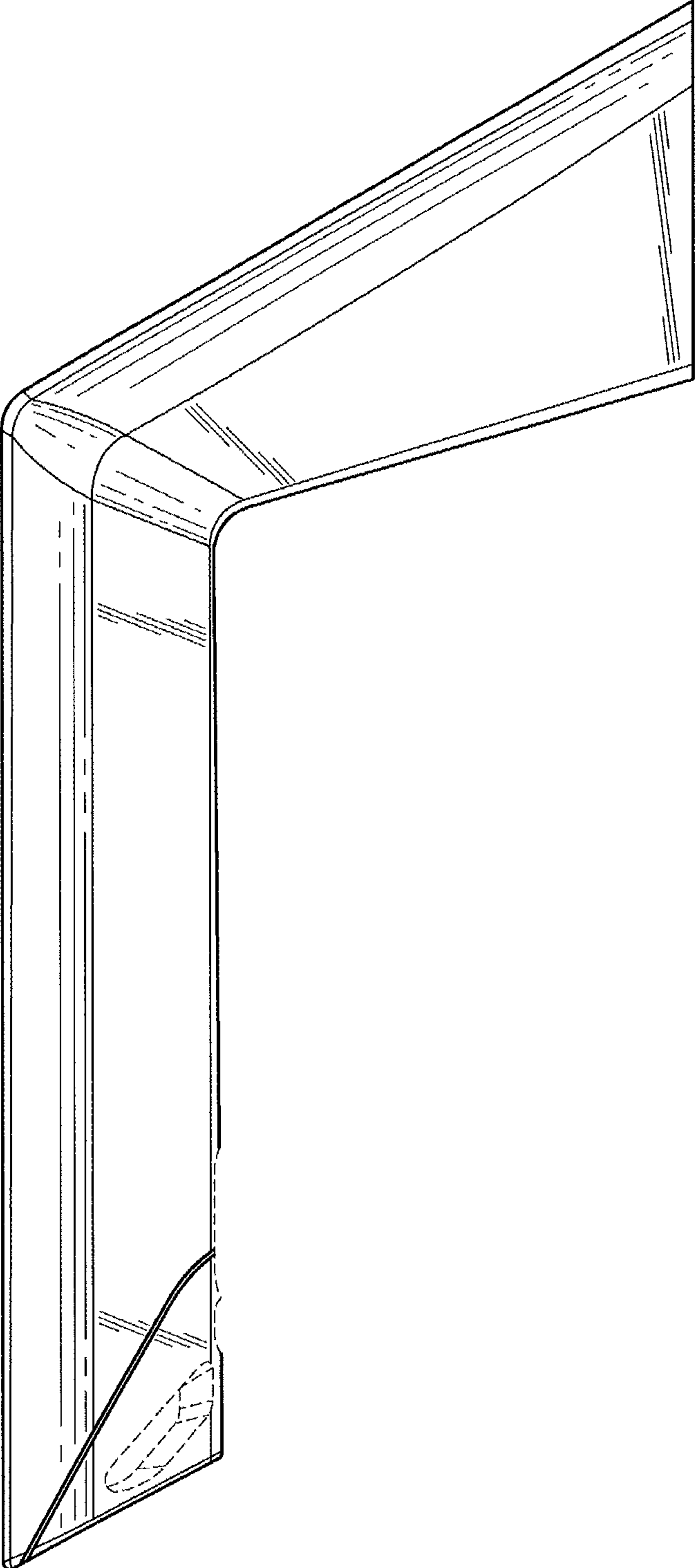


FIG. 4

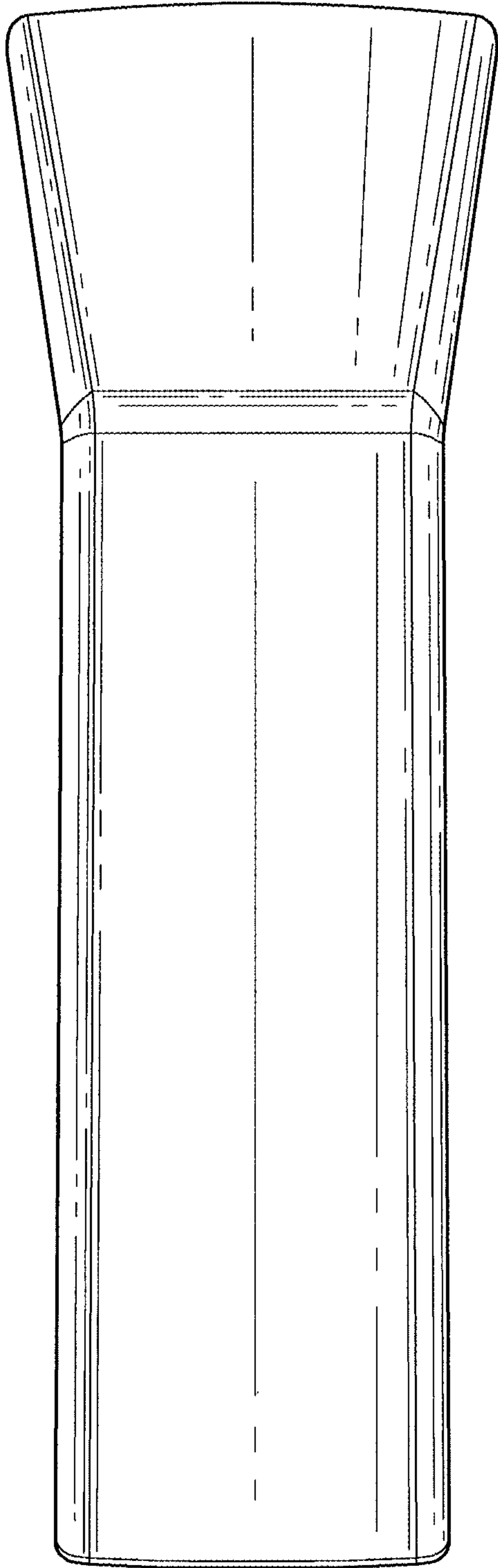


FIG. 5

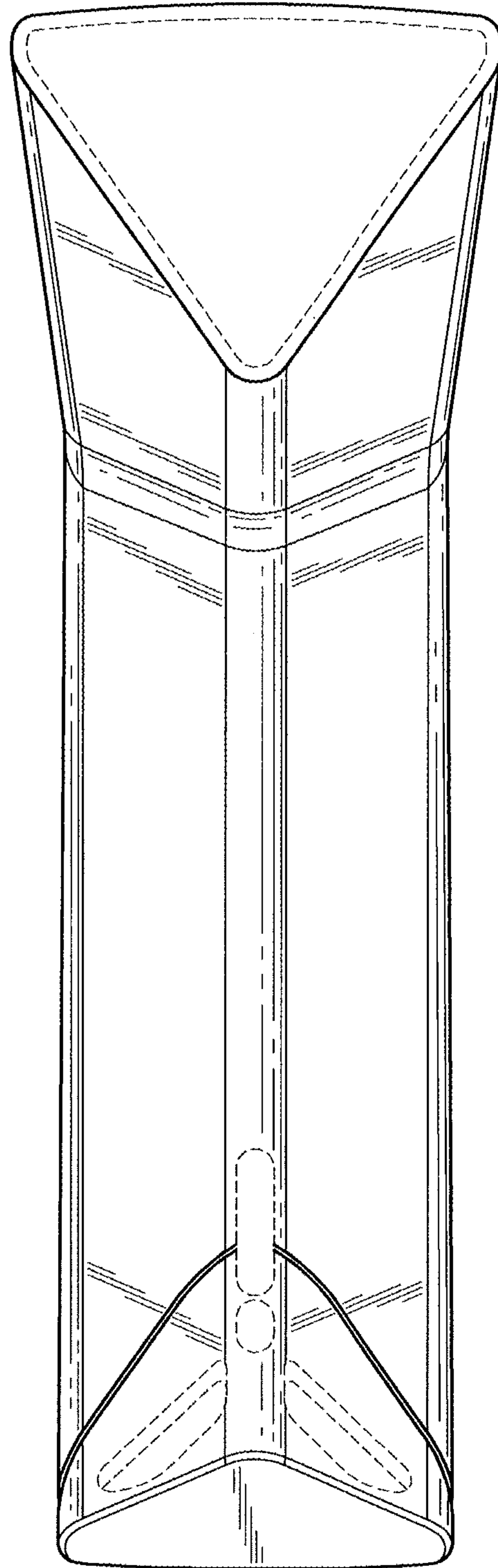


FIG. 6