



US00D872365S

(12) **United States Design Patent** (10) **Patent No.:** **US D872,365 S**  
**Zaremba** (45) **Date of Patent:** **\*\* Jan. 7, 2020**

(54) **RAZOR HANDLE**  
(71) Applicant: **Harry's, Inc.**, New York, NY (US)  
(72) Inventor: **Francis Zaremba**, Brooklyn, NY (US)  
(73) Assignee: **Harry's, Inc.**, New York, NY (US)

D822,901 S \* 7/2018 Shin ..... D28/48  
D822,902 S \* 7/2018 Shin ..... D28/48  
D842,542 S \* 3/2019 Ramm ..... D28/48  
2010/0132204 A1 6/2010 Brown  
2012/0102747 A1 5/2012 Wain  
2018/0370052 A1\* 12/2018 Zaremba ..... B26B 21/528

(\*\*) Term: **15 Years**

**FOREIGN PATENT DOCUMENTS**

CA 2447158 C 1/2005  
CA 2557281 C 7/2010

(21) Appl. No.: **29/647,083**

\* cited by examiner

(22) Filed: **May 9, 2018**

*Primary Examiner* — Jennifer Rivard

(51) **LOC (12) Cl.** ..... **28-03**

(74) *Attorney, Agent, or Firm* — Florek & Endres PLLC

(52) **U.S. Cl.**  
USPC ..... **D28/48**

(57) **CLAIM**

(58) **Field of Classification Search**  
USPC ..... D28/45-48  
CPC ..... B26B 21/00-06; B26B 21/08-227; B26B 21/24-28; B26B 21/30-38; B26B 21/40-4093; B26B 21/52-528  
See application file for complete search history.

I claim the ornamental design for a razor handle, as shown and described.

**DESCRIPTION**

(56) **References Cited**

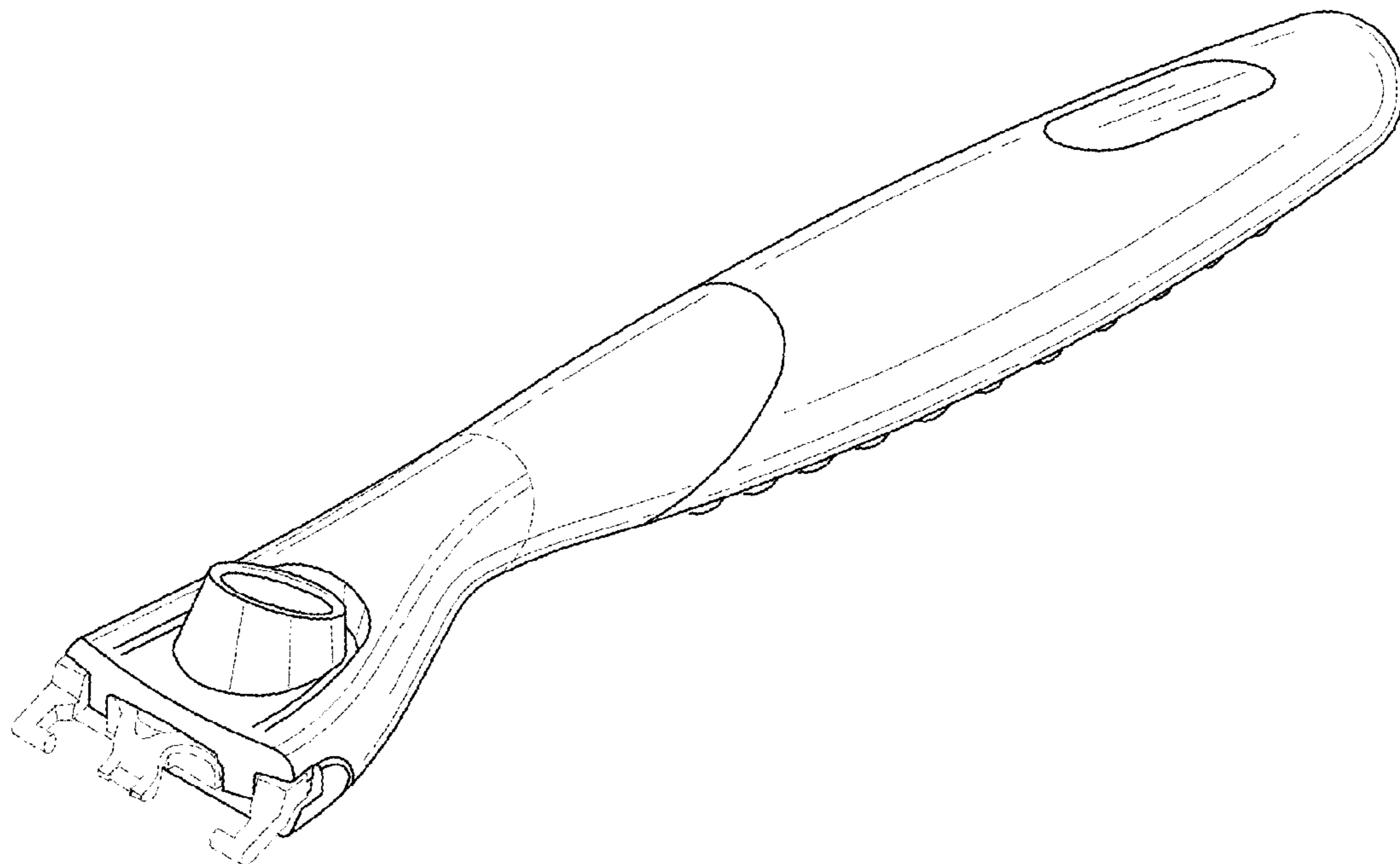
**U.S. PATENT DOCUMENTS**

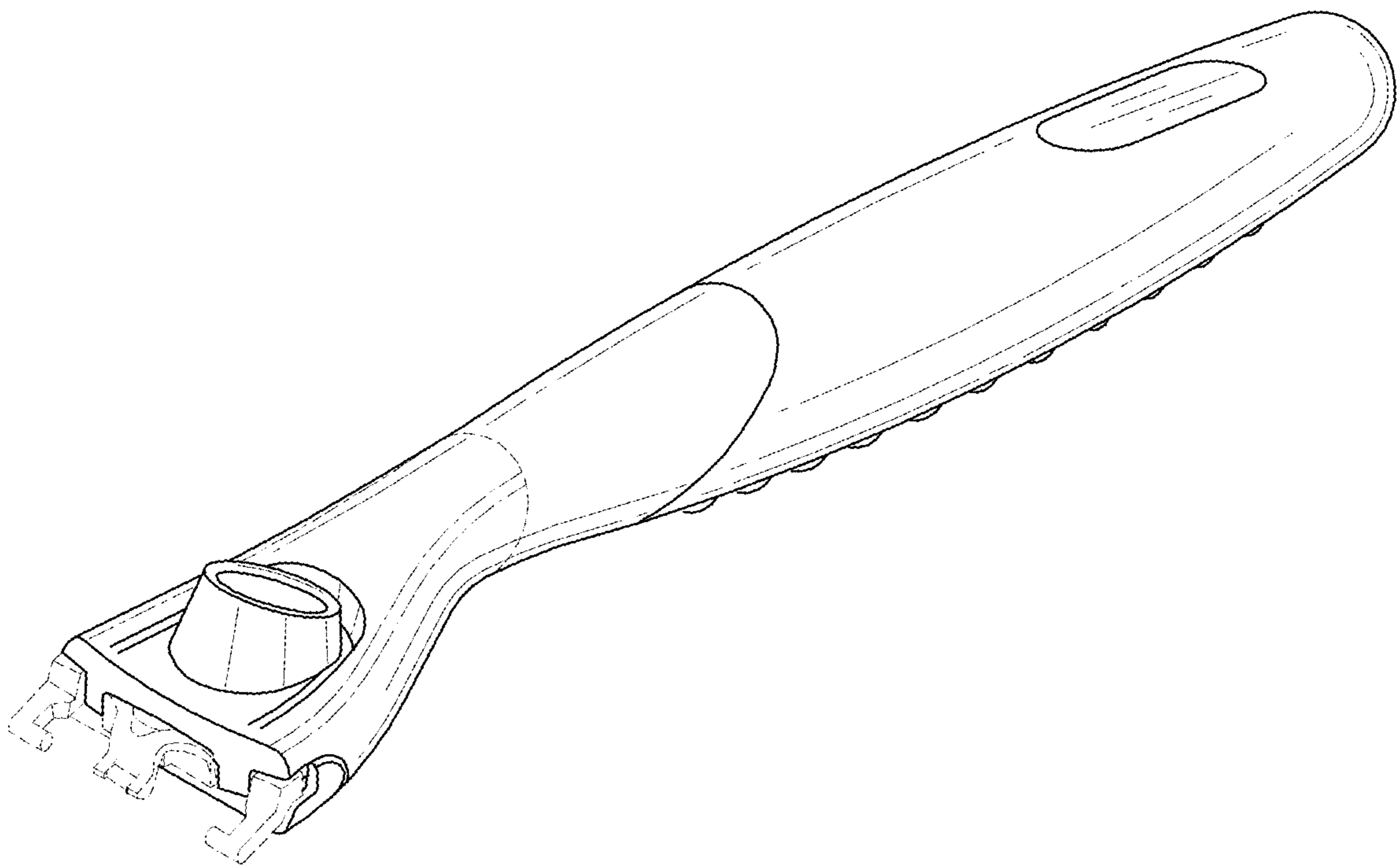
5,784,790 A 7/1998 Carson, III et al.  
5,787,586 A 8/1998 Apprille, Jr. et al.  
7,168,173 B2 1/2007 Worrick, III  
7,219,430 B2 5/2007 Fandrey et al.  
7,500,313 B2 3/2009 Fandrey et al.  
8,079,147 B2 12/2011 Wonderley  
D656,676 S \* 3/2012 Cavazos Jimenez ..... D28/48  
D656,677 S \* 3/2012 Cavazos Jimenez ..... D28/48  
8,793,880 B2 8/2014 Taub et al.  
8,984,756 B2 3/2015 Worrick, III  
D808,590 S \* 1/2018 Christofidellis ..... D28/48  
D812,815 S \* 3/2018 Psimadas ..... D28/48  
D813,456 S \* 3/2018 Christofidellis ..... D28/48

FIG. 1 is a perspective view of the razor handle of the present invention.  
FIG. 2 is a top plan view of the razor handle of the present invention.  
FIG. 3 is a bottom plan view of the razor handle of the present invention.  
FIG. 4 is a right side elevation of the razor handle of the present invention.  
FIG. 5 is a left side elevation of the razor handle of the present invention.  
FIG. 6 is a front elevation of the razor handle of the present invention; and,  
FIG. 7 is a rear elevation of the razor handle of the present invention.

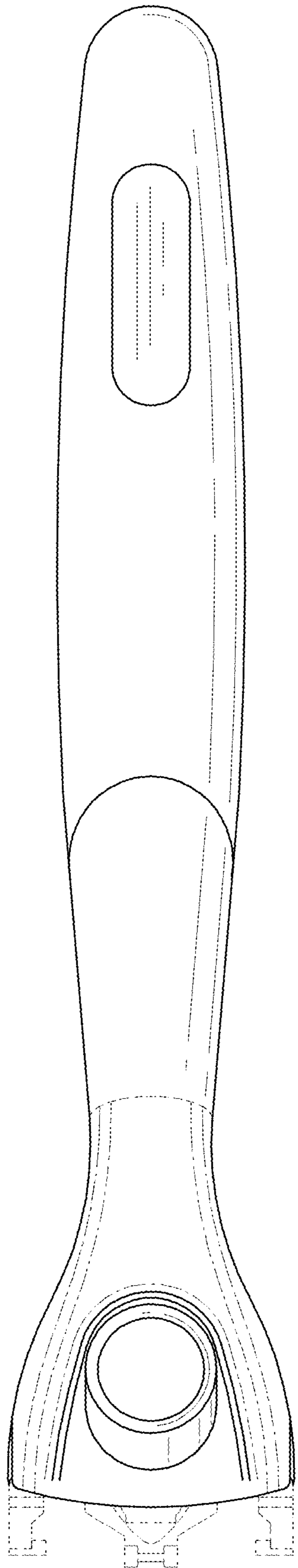
The broken lines illustrate portions of the razor handle and form no part of the claimed design.

**1 Claim, 7 Drawing Sheets**





*FIG. 1*



*FIG. 2*

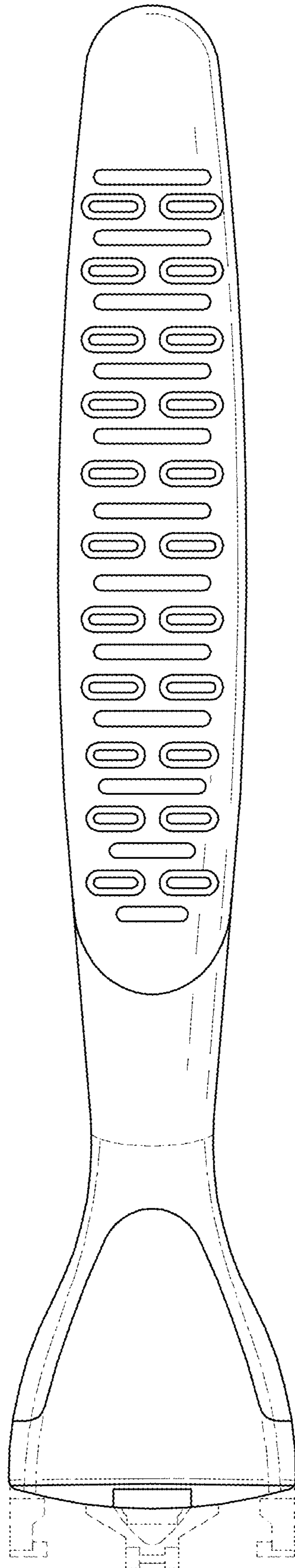


FIG. 3

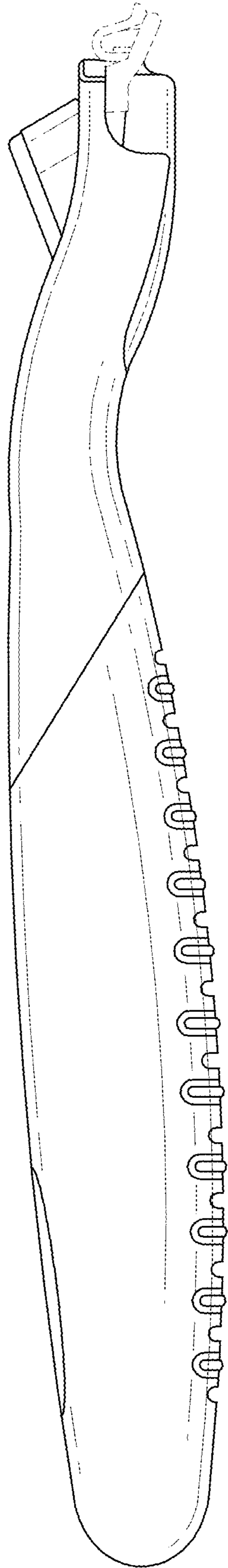


FIG. 4

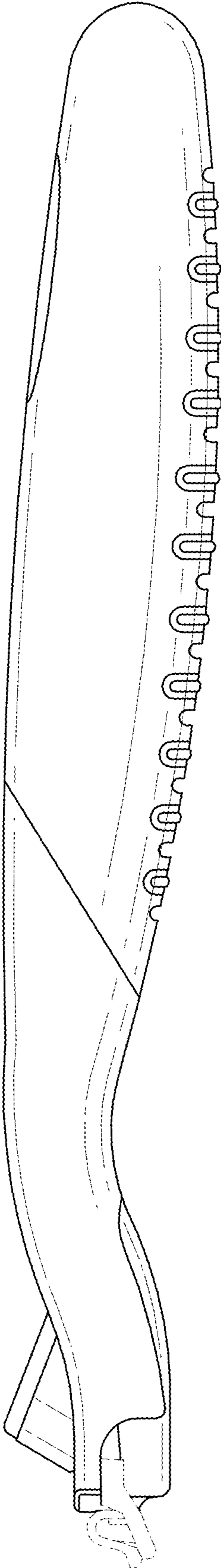
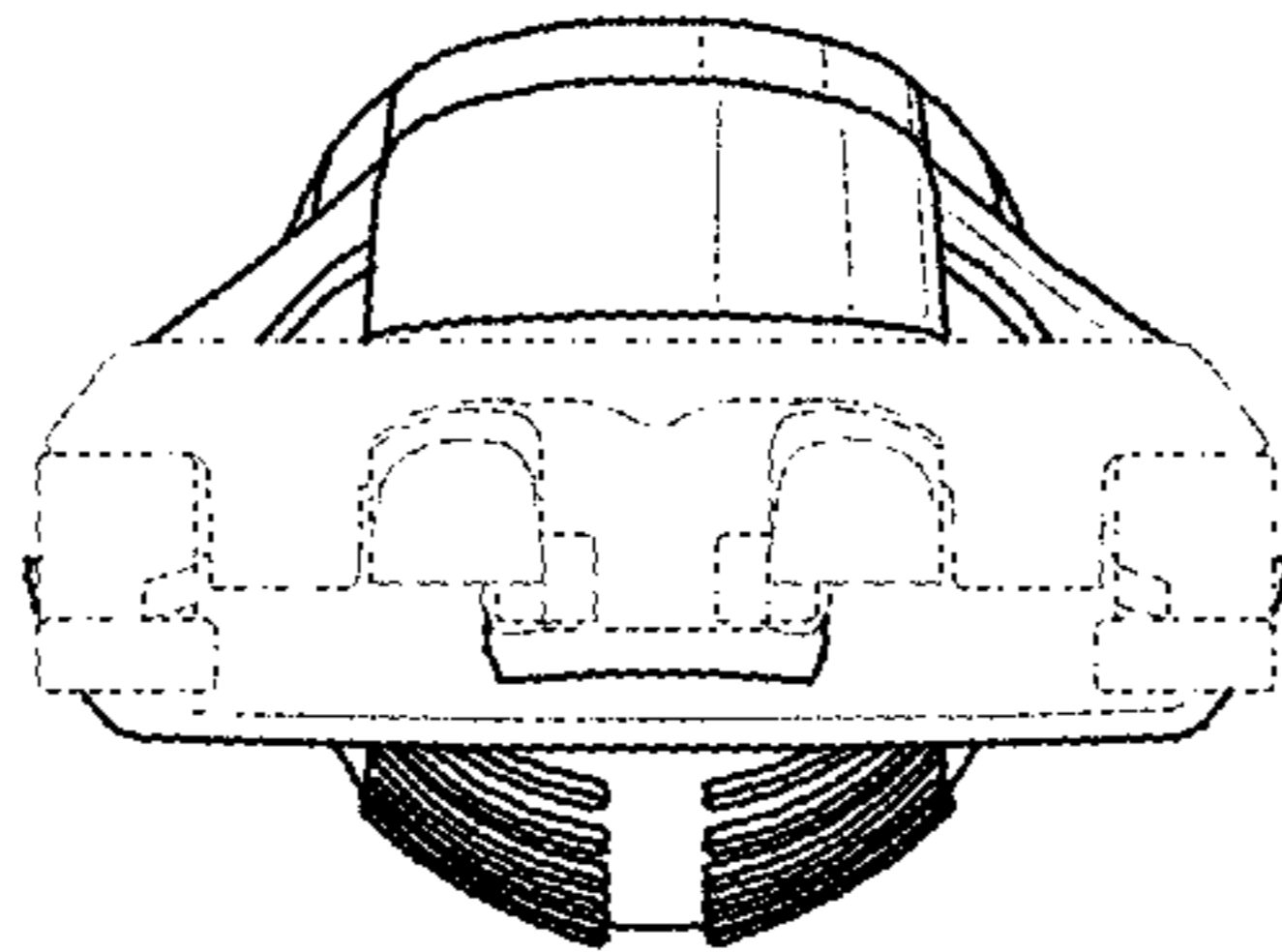
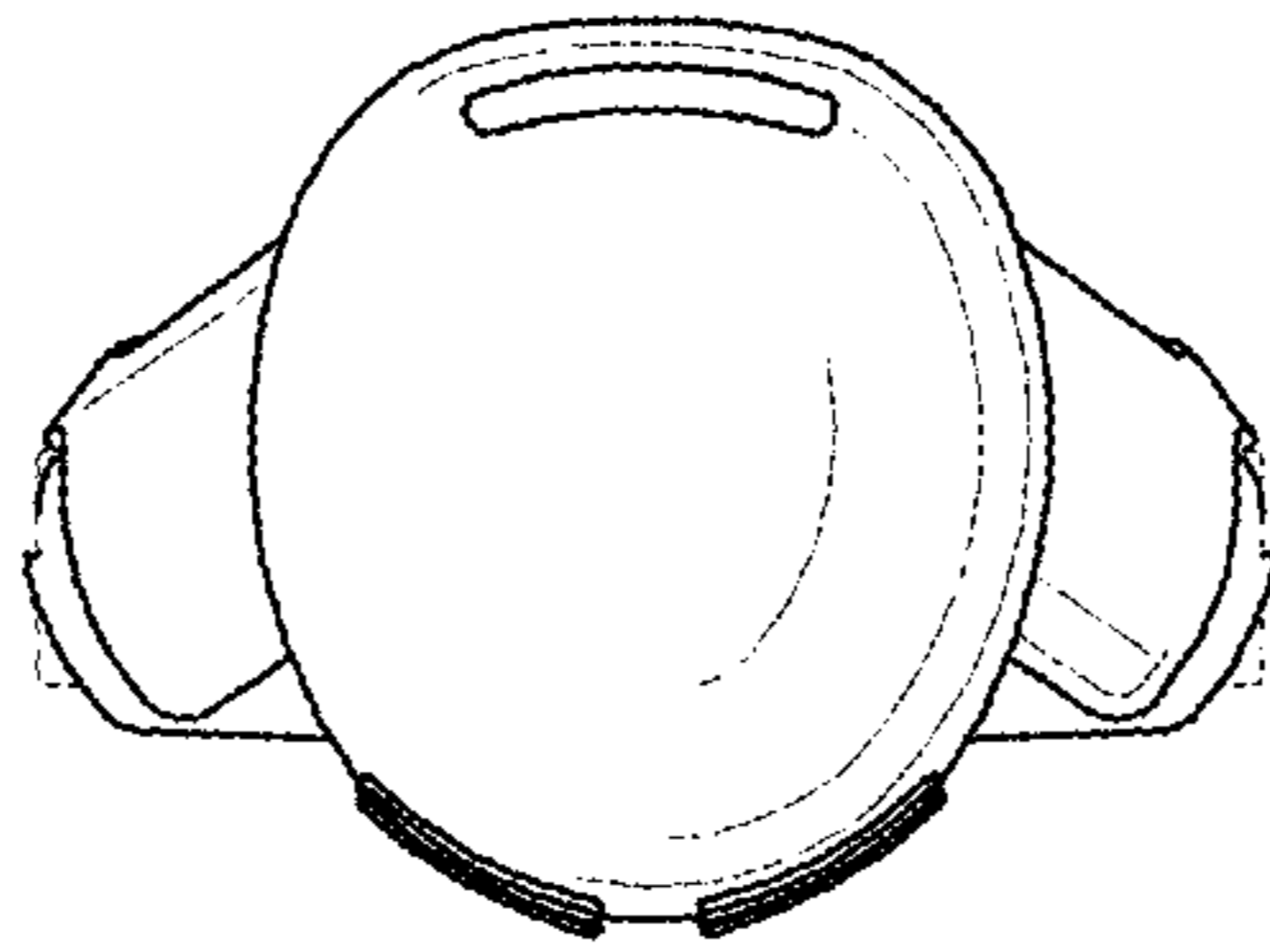


FIG. 5



*FIG. 6*



*FIG. 7*