



US00D872362S

(12) **United States Design Patent** (10) **Patent No.:** **US D872,362 S**
Long (45) **Date of Patent:** **** Jan. 7, 2020**

(54) **HAIR REMOVAL DEVICE**
(71) Applicant: **Zhaoyao Long**, Guangdong (CN)
(72) Inventor: **Zhaoyao Long**, Guangdong (CN)
(73) Assignee: **Shenzhen Lizhou Technology Co., Ltd**, Shenzhen, Guangdong (CN)
(**) Term: **15 Years**
(21) Appl. No.: **29/635,404**
(22) Filed: **Jan. 31, 2018**
(51) **LOC (12) Cl.** **28-03**
(52) **U.S. Cl.**
USPC **D28/44.1; D24/209; D24/214**
(58) **Field of Classification Search**
USPC **D28/44.1; D24/209, 133, 146, 214**
CPC .. **A61B 2018/0047; A61B 2018/00476; A61B 18/00; A61B 18/203; A45D 26/00; A45D 26/0004-0009**
See application file for complete search history.

D820,464 S * 6/2018 Gabriele D24/209
D820,520 S * 6/2018 Kling D28/44.1
D827,930 S * 9/2018 Mathieu D28/44
D827,931 S * 9/2018 Mathieu D28/44
D844,896 S * 4/2019 Levi D28/44.1

OTHER PUBLICATIONS

Pain-free permanent hair removal, 1 page, reviewed as early as Apr. 2018, https://www.amazon.com/Pain-free-Permanent-Hair-Removal-Professional/dp/B07NLTXTX/ref=asc_df_B07NLTXTX/?tag=hyprod-20&linkCode=df0&hvadid=366329564568&hvpos=1o6&hvnetw=g&hvrnd=2596381044105460987&hvpone=&hvptwo=&hvqmt=&hvdev=c&hvdvcmdl=&hvloc.*
Hair Epilator for Women, 1 page, downloaded Aug. 13, 2019, http://www.top-lane.com/jp/productshow.asp?ArticleID=0&id=198&cid=007006.*

* cited by examiner

Primary Examiner — Jennifer Rivard

(57) **CLAIM**

The ornamental design for a hair removal device, as shown and described.

(56) **References Cited**

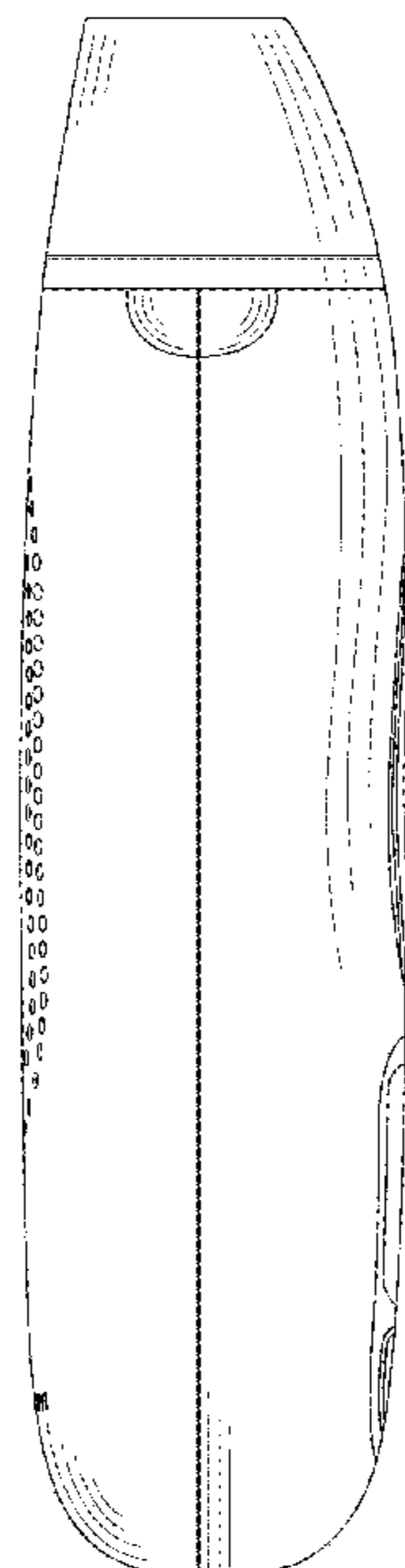
U.S. PATENT DOCUMENTS

D662,660 S * 6/2012 Byun D28/44.1
D664,296 S * 7/2012 Kling D24/133
D665,128 S * 8/2012 Kling D24/133
D685,523 S * 7/2013 Buogo D28/44.1
D705,484 S * 5/2014 Bourgeois D24/133
D705,989 S * 5/2014 Levi D24/133
D705,992 S * 5/2014 Levi D24/133
D764,706 S * 8/2016 Kling D28/44.1
D776,347 S * 1/2017 Grieshaber D28/44.1
D776,873 S * 1/2017 Levi D24/133
D776,874 S * 1/2017 Kling D24/133
D787,083 S * 5/2017 Ely D24/209
D789,604 S * 6/2017 Levi D24/133
D802,841 S * 11/2017 Kling D28/44.1

DESCRIPTION

FIG. 1 is a perspective view of a hair removal device showing my new design;
FIG. 2 is a front elevational view thereof;
FIG. 3 is a rear elevational view thereof;
FIG. 4 is a left side elevational view thereof;
FIG. 5 is a right side elevational view thereof;
FIG. 6 is a top plan view thereof; and,
FIG. 7 is a bottom plan view thereof.

1 Claim, 7 Drawing Sheets



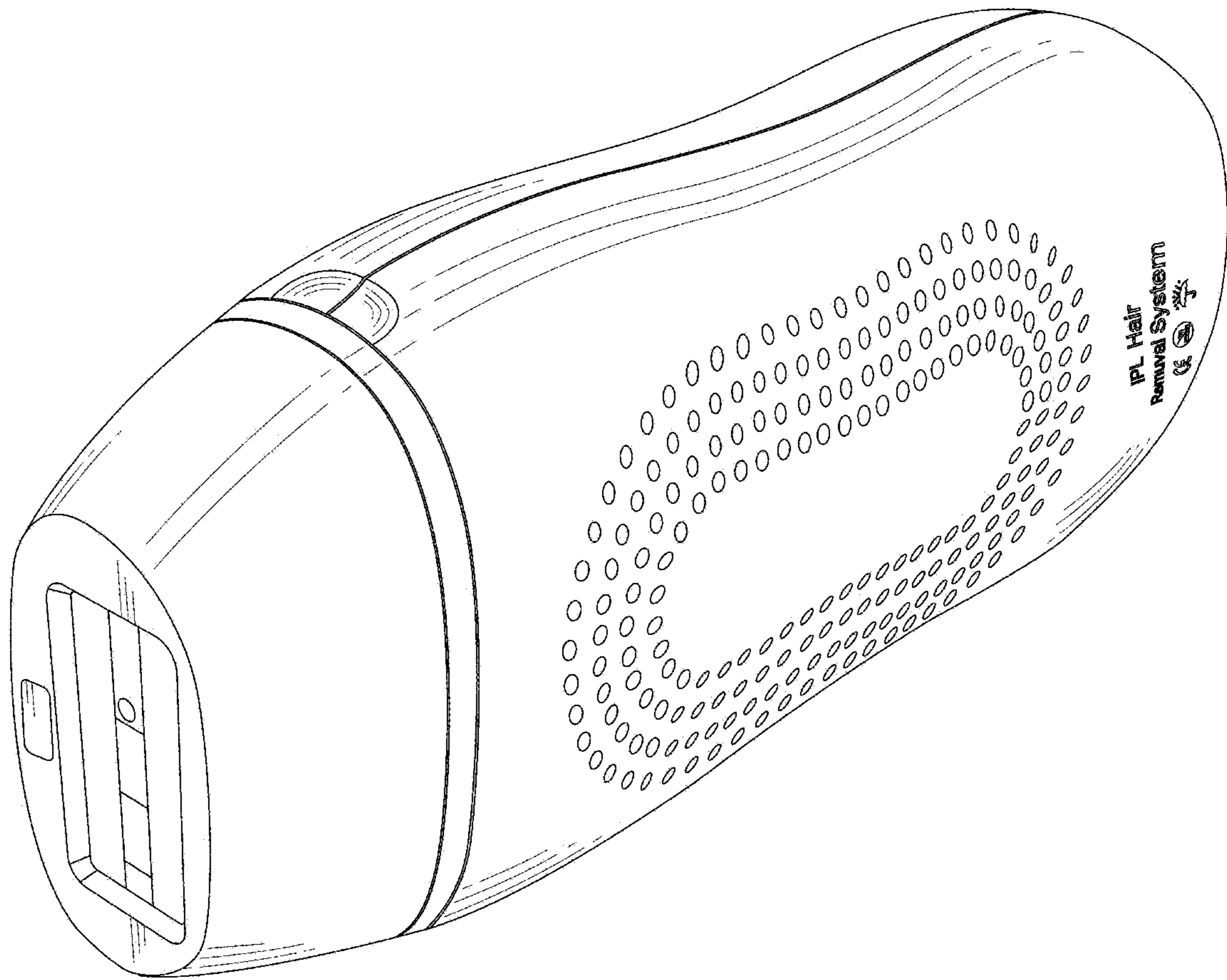


FIG.1

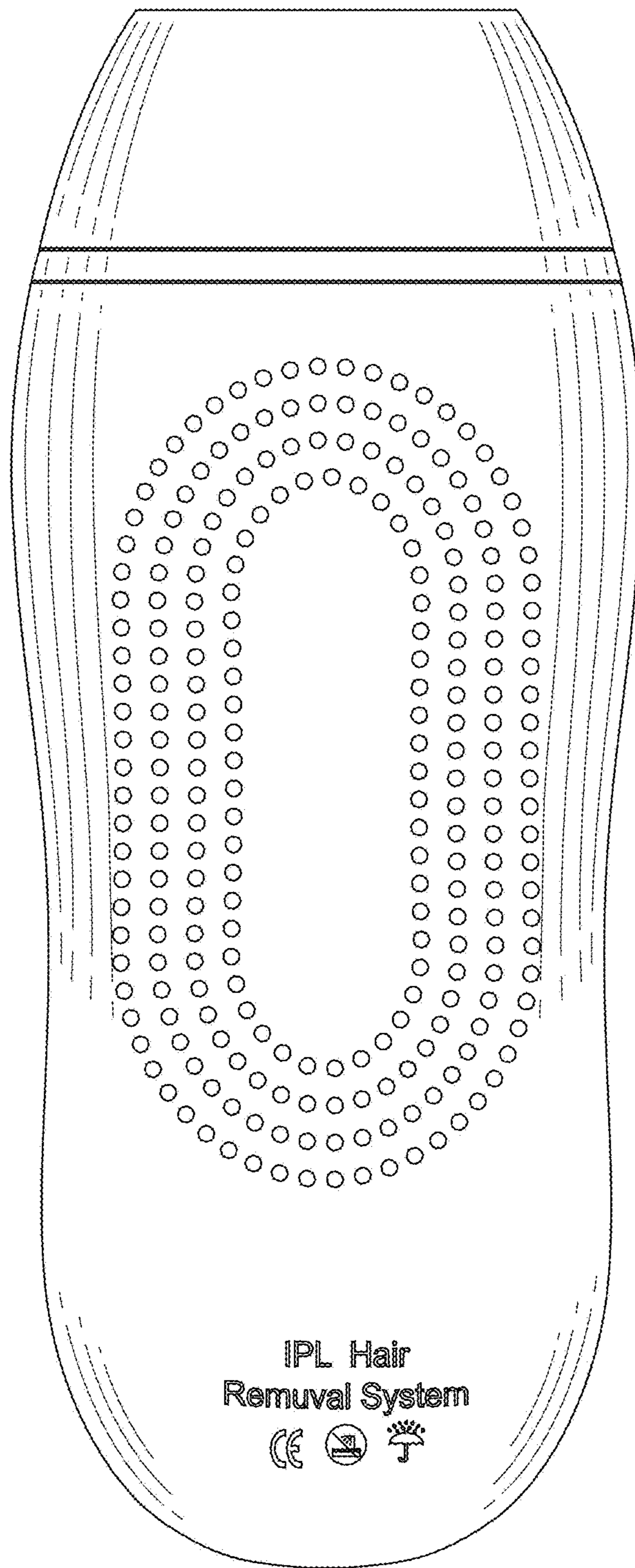


FIG.2

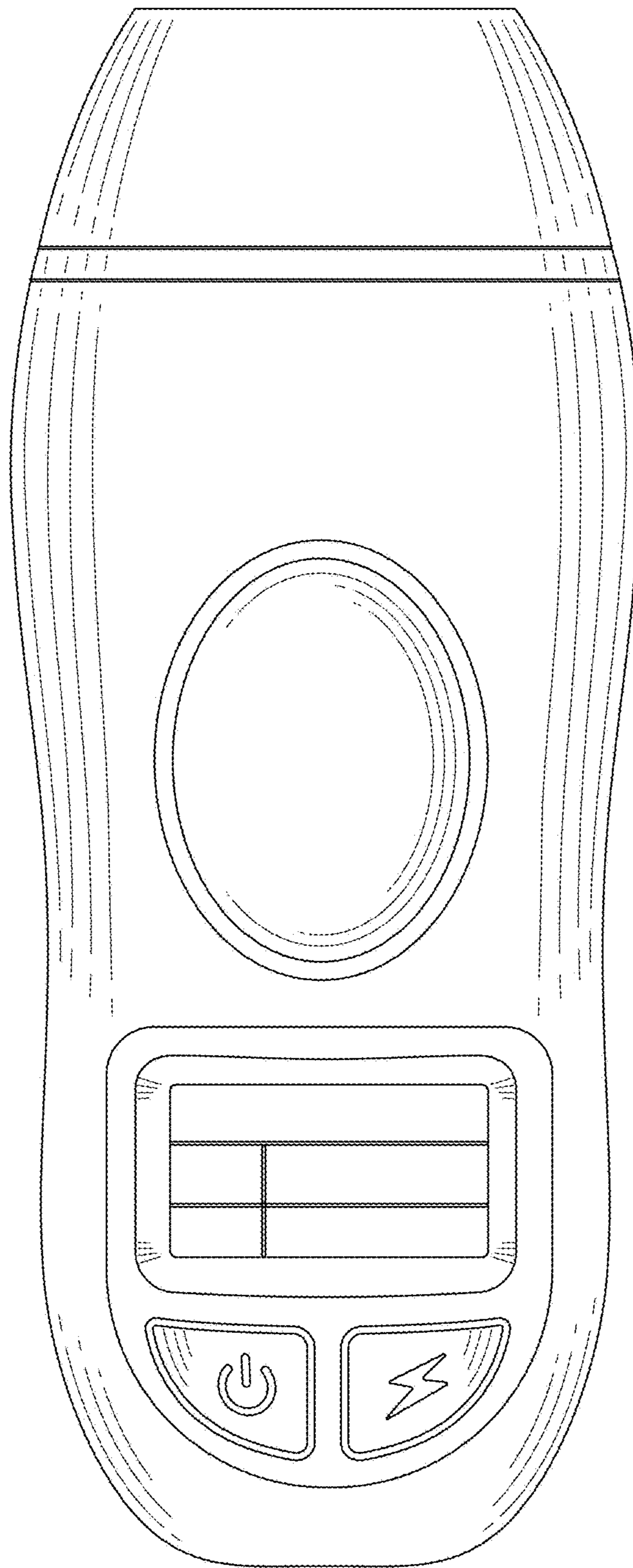


FIG.3

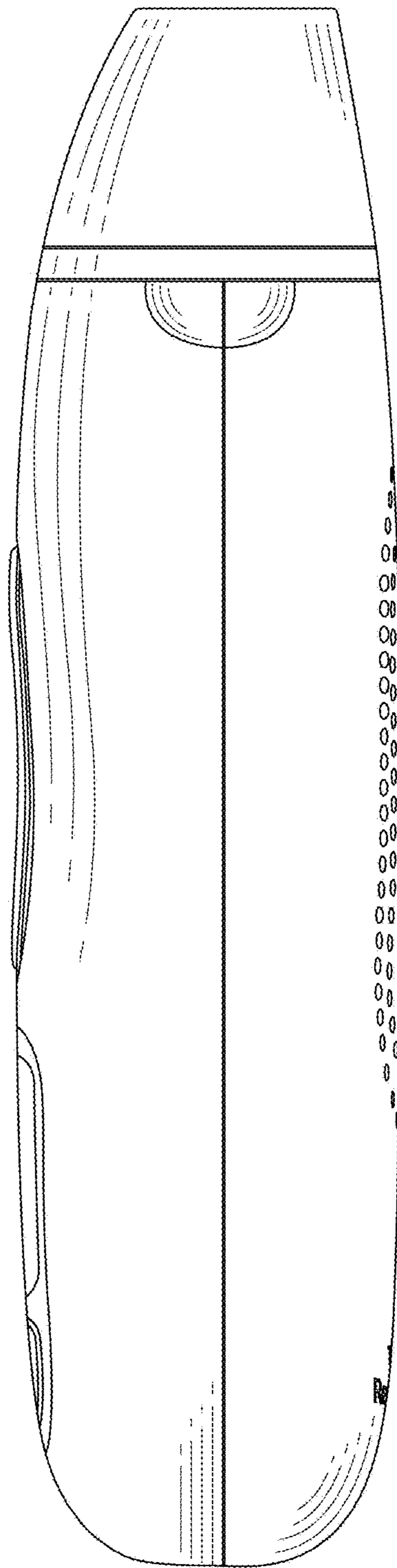


FIG.4

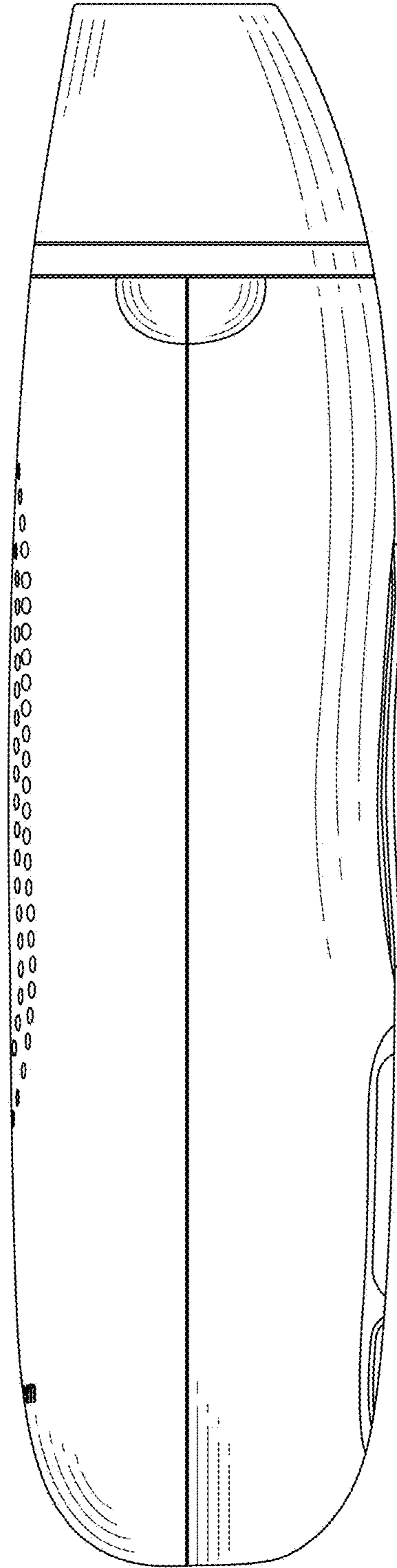


FIG.5

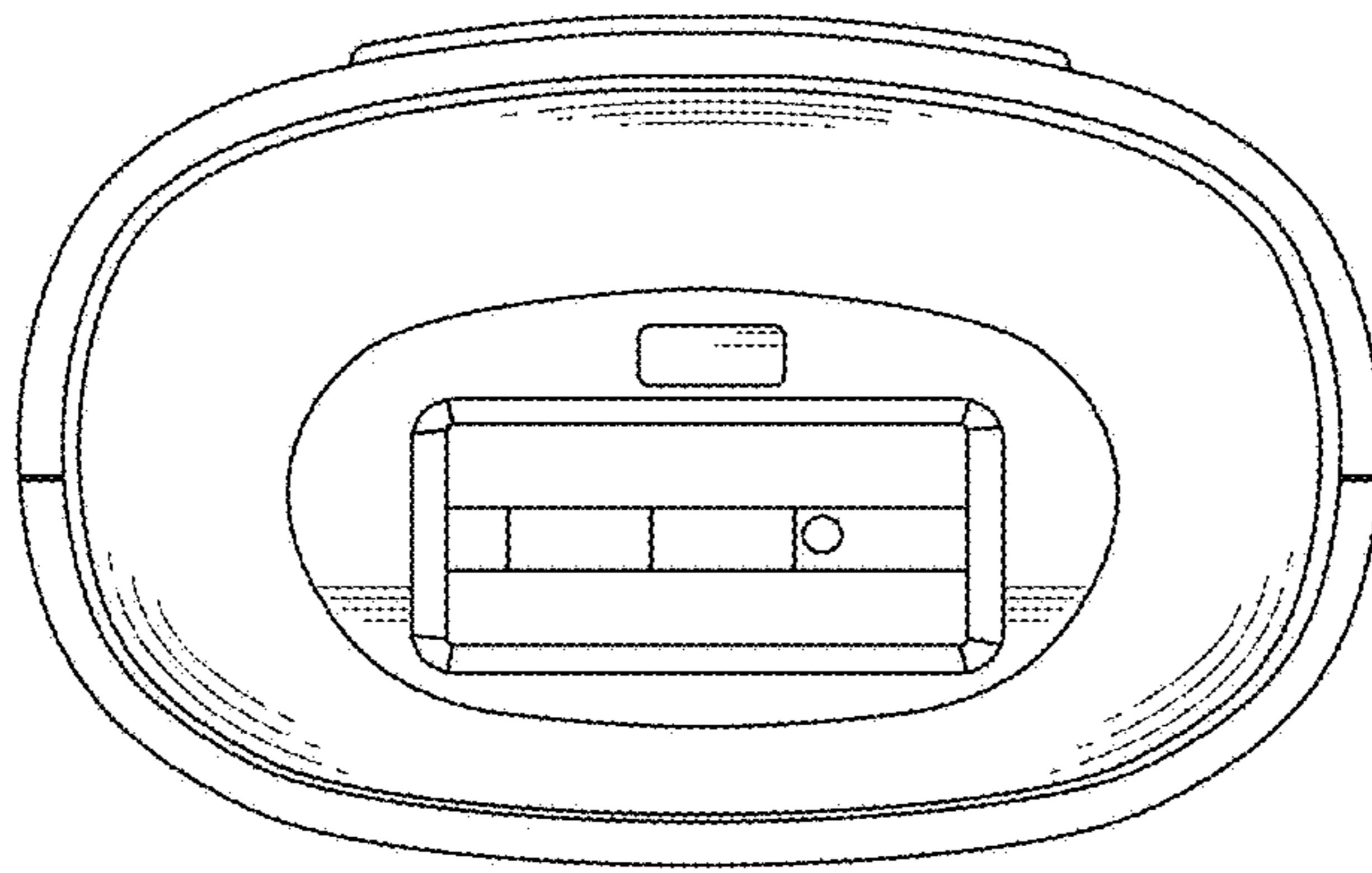


FIG.6

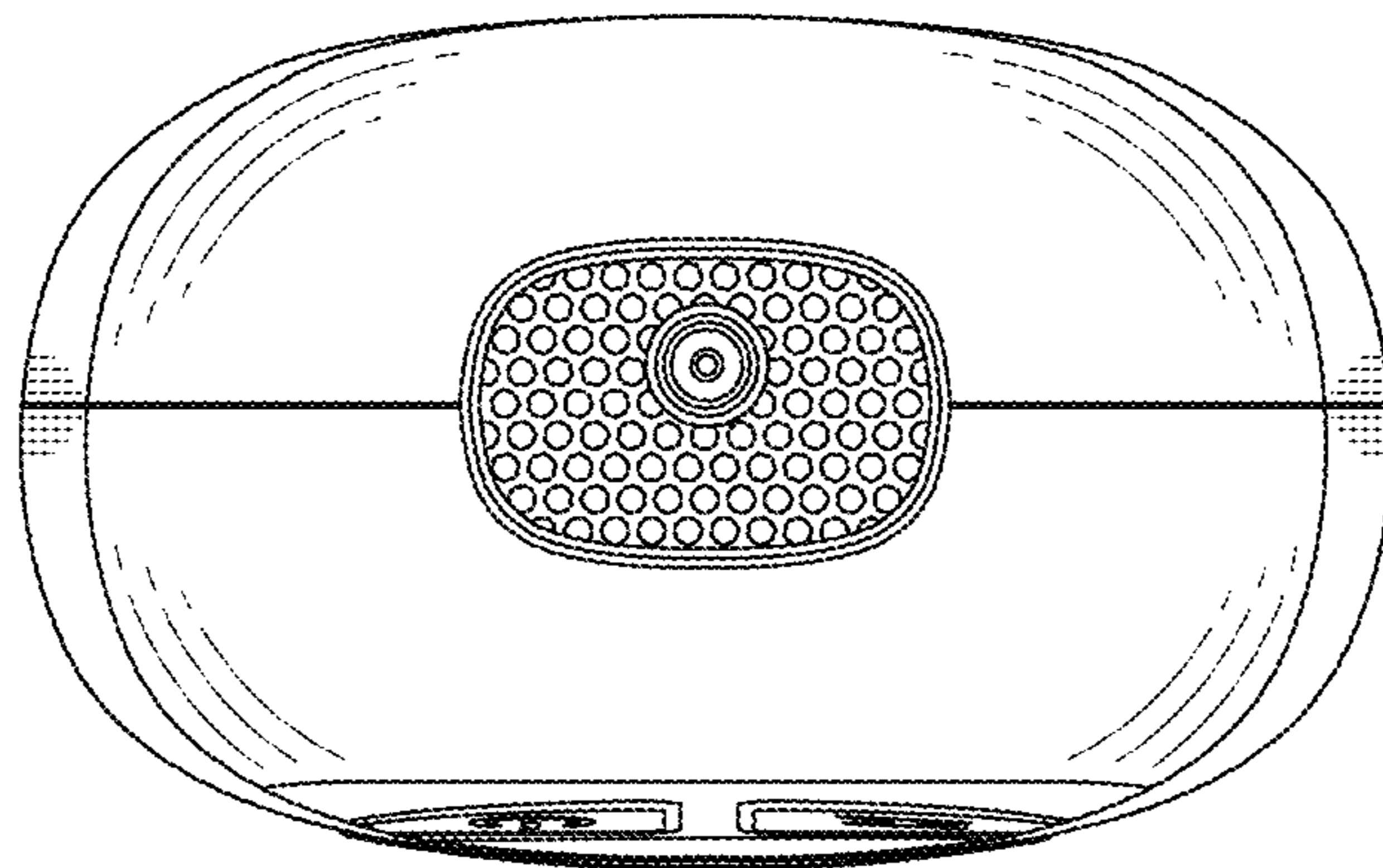


FIG. 7