



US00D872360S

(12) **United States Design Patent** (10) **Patent No.:** **US D872,360 S**
Abramov et al. (45) **Date of Patent:** **** Jan. 7, 2020**

(54) **CORDLESS CURLING IRON**
(71) Applicants: **Monica Abramov**, Concord (CA);
Anastassia Boguslavskaya, Toronto (CA)
(72) Inventors: **Monica Abramov**, Concord (CA);
Anastassia Boguslavskaya, Toronto (CA)
(73) Assignee: **Lunata Inc.**, Toronto, Ontario (CA)

9,149,101 B2 * 10/2015 Richmond A45D 7/02
D748,331 S * 1/2016 Prats D28/35
D786,506 S * 5/2017 Ceva D28/35
D821,031 S * 6/2018 Feng D28/35
D833,676 S * 11/2018 Lee D28/35
2008/0135537 A1 * 6/2008 Suber A45D 1/04
219/225
2008/0236609 A1 * 10/2008 Wong A45D 1/04
132/224
2013/0306099 A1 * 11/2013 Lam A45D 1/04
132/211

(**) Term: **15 Years**

(Continued)

(21) Appl. No.: **29/638,610**
(22) Filed: **Feb. 28, 2018**
(51) **LOC (12) Cl.** **28-03**
(52) **U.S. Cl.**
USPC **D28/35**
(58) **Field of Classification Search**
USPC D28/10, 35, 37, 38
CPC ... A45D 1/04; A45D 2/00; A45D 2/02; A45D
4/00; A45D 8/00; A45D 7/02; A45D
8/40; A45D 2001/045; A45D 2001/008;
A45D 19/16; A45D 1/00-01; A45D 1/28;
A45D 2/001; A45D 2/002; A45D 2/04;
A45D 2/06; A45D 2/08; A45D 2/10;
A45D 2/12-22; A45D 2/24-34; A45D
2/36-367

OTHER PUBLICATIONS

The Lunata Beauty Instagram, Lunata, cordless, photo of the convertible curling iron posted Oct. 31, 2017, retrieved on Mar. 22, 2019, retrieved from the Internet URL: <https://www.instagram.com/lunatabeauty/>.*

(Continued)

Primary Examiner — Jennifer Rivard
Assistant Examiner — Alison M Ofstun
(74) *Attorney, Agent, or Firm* — Rowand LLP

See application file for complete search history.

(57) **CLAIM**

The ornamental design for a cordless curling iron, as shown and described.

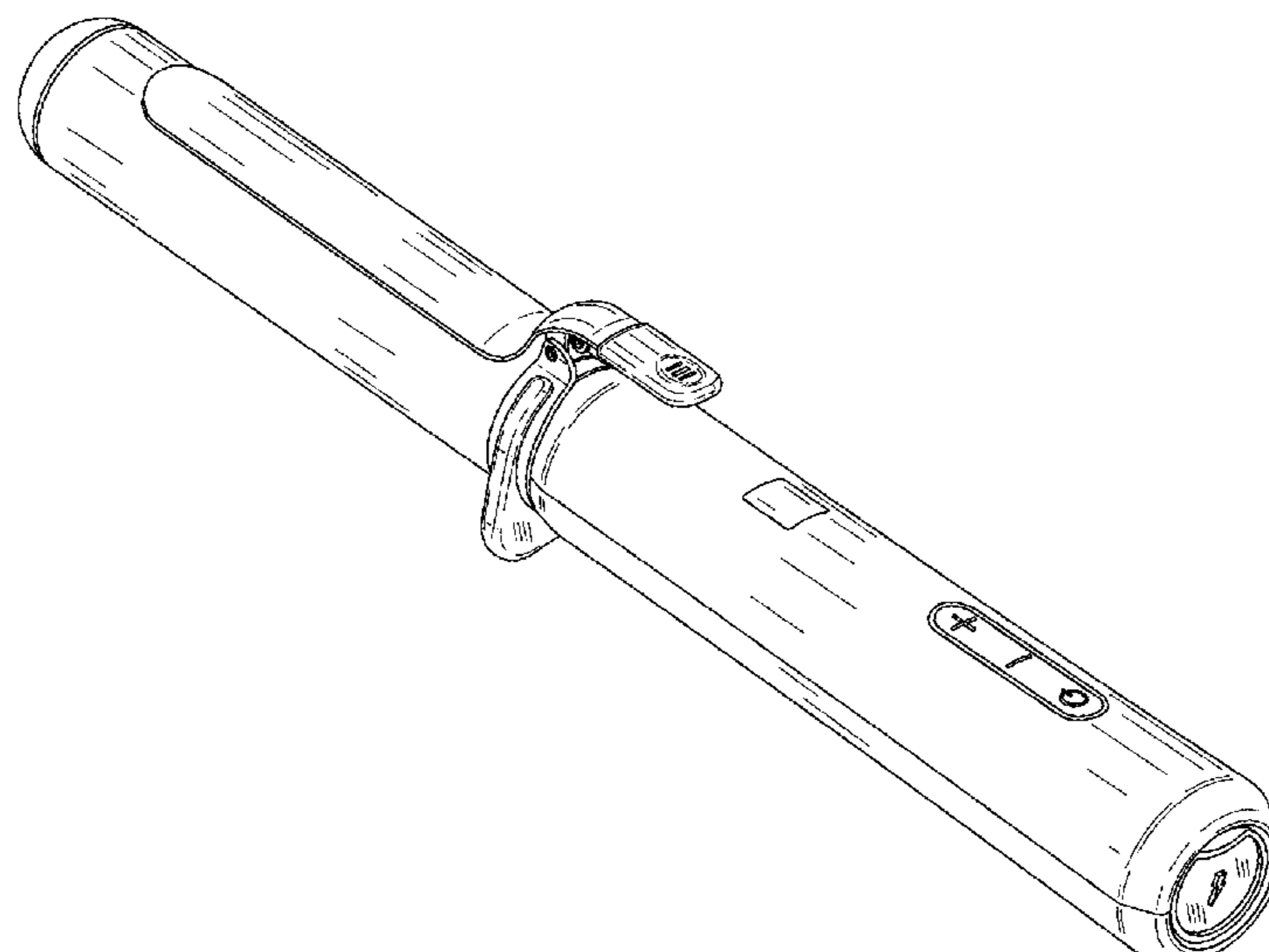
DESCRIPTION

(56) **References Cited**
U.S. PATENT DOCUMENTS

2,347,693 A * 5/1944 Krasberg A45D 6/045
132/242
4,731,519 A * 3/1988 Dieterle A45D 1/04
132/232
4,803,341 A * 2/1989 Barowski A45D 1/20
132/233
D314,444 S * 2/1991 Ho D28/35
D629,563 S * 12/2010 Mau D28/35

FIG. 1 is a front view of a cordless curling iron, showing our new design;
FIG. 2 is a rear view of FIG. 1;
FIG. 3 is a side view of FIG. 1;
FIG. 4 is a top view of FIG. 1;
FIG. 5 is a bottom view of FIG. 1;
FIG. 6 is a perspective view of FIG. 1;
FIG. 7 is a perspective view of the cordless curling iron, shown in a position of use with the clip opened; and,
FIG. 8 is an exploded view of FIG. 6.

1 Claim, 8 Drawing Sheets



(56)

References Cited

U.S. PATENT DOCUMENTS

2014/0144458 A1* 5/2014 Hein A45D 1/04
132/226
2014/0360524 A1* 12/2014 De Berardinis A45D 6/04
132/211
2015/0223582 A1* 8/2015 Pedroarena A45D 20/12
34/97
2016/0007707 A1* 1/2016 Carter A45D 1/20
132/229
2018/0070694 A1* 3/2018 Feng A45D 1/04
2018/0168309 A1* 6/2018 Chelle A45D 1/16

OTHER PUBLICATIONS

ThermaCell Conair Compact Curling Iron, Conair, reviewed on Feb. 3, 2014 on amazon.com, retrieved on Mar. 22, 2018, retrieved from the Internet URL: <https://www.amazon.com/ThermaCell-Conair-Compact-Iron/dp/B004TA7B04>.*

Travel Smart CA160TS Cordless Curling Iron, Travel Smart, reviewed on Oct. 13, 2008 on amazon.com, retrieved on Mar. 22, 2019, retrieved from the Internet URL: <https://www.amazon.com/Travel-Smart-CA160TS-Cordless-Curling/dp/B000YNYKCW>.*

* cited by examiner

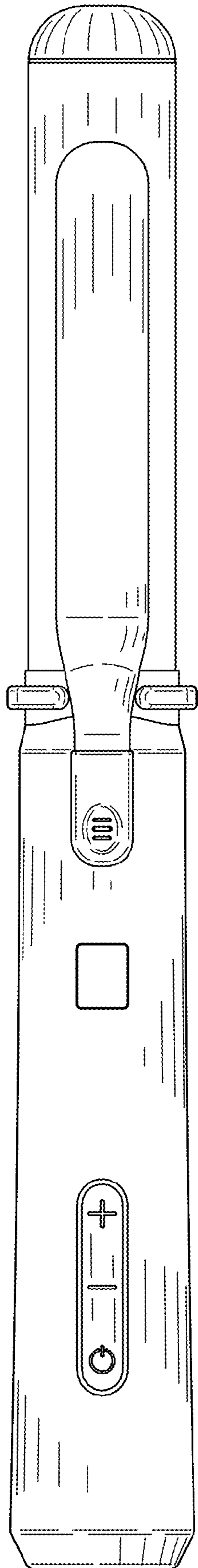


FIG.1

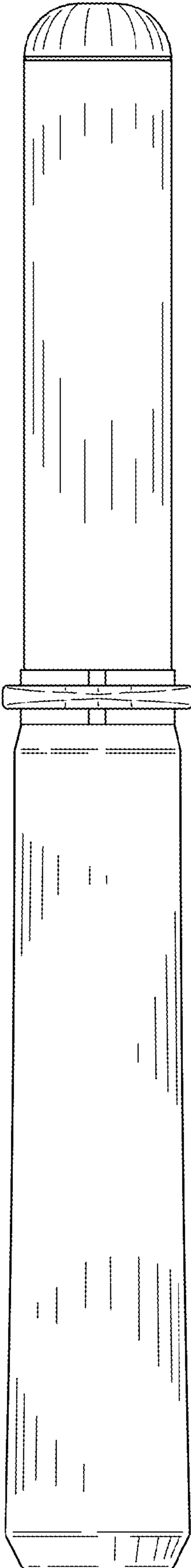


FIG.2

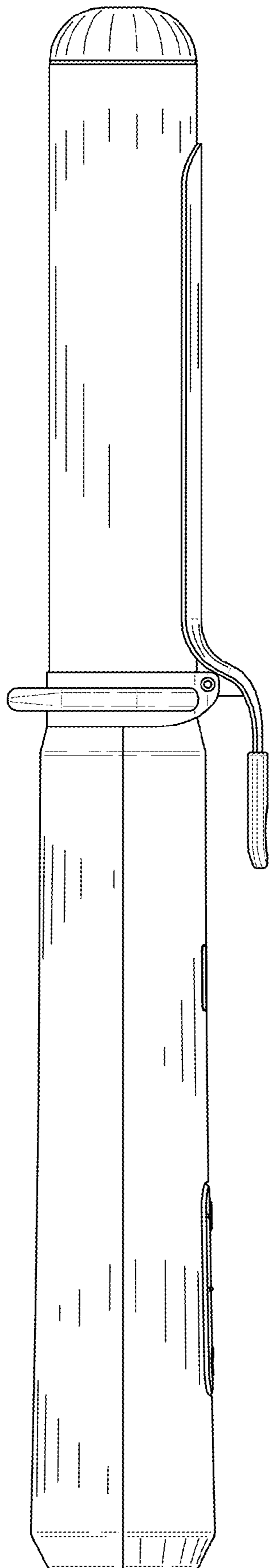


FIG.3

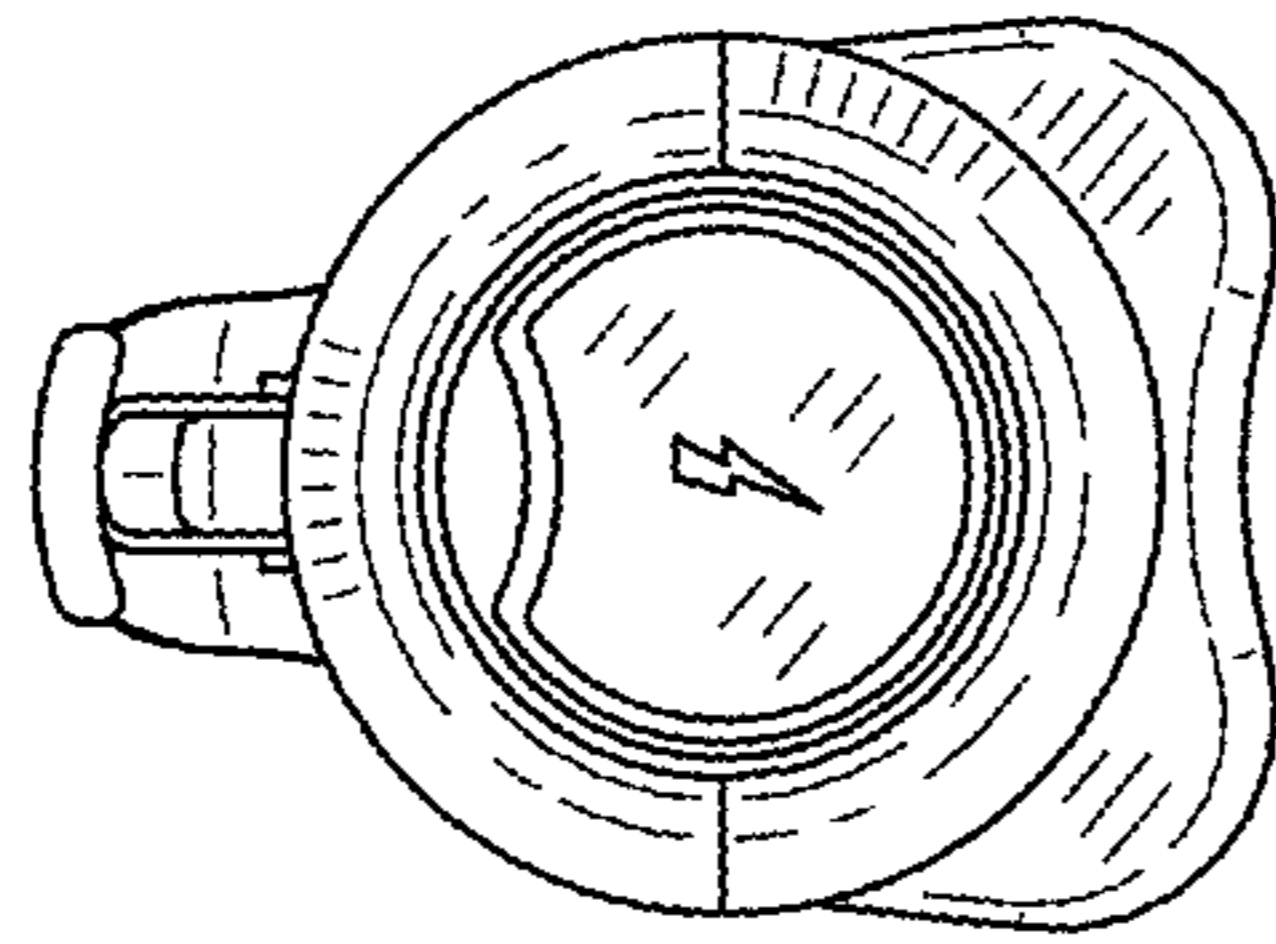


FIG.4

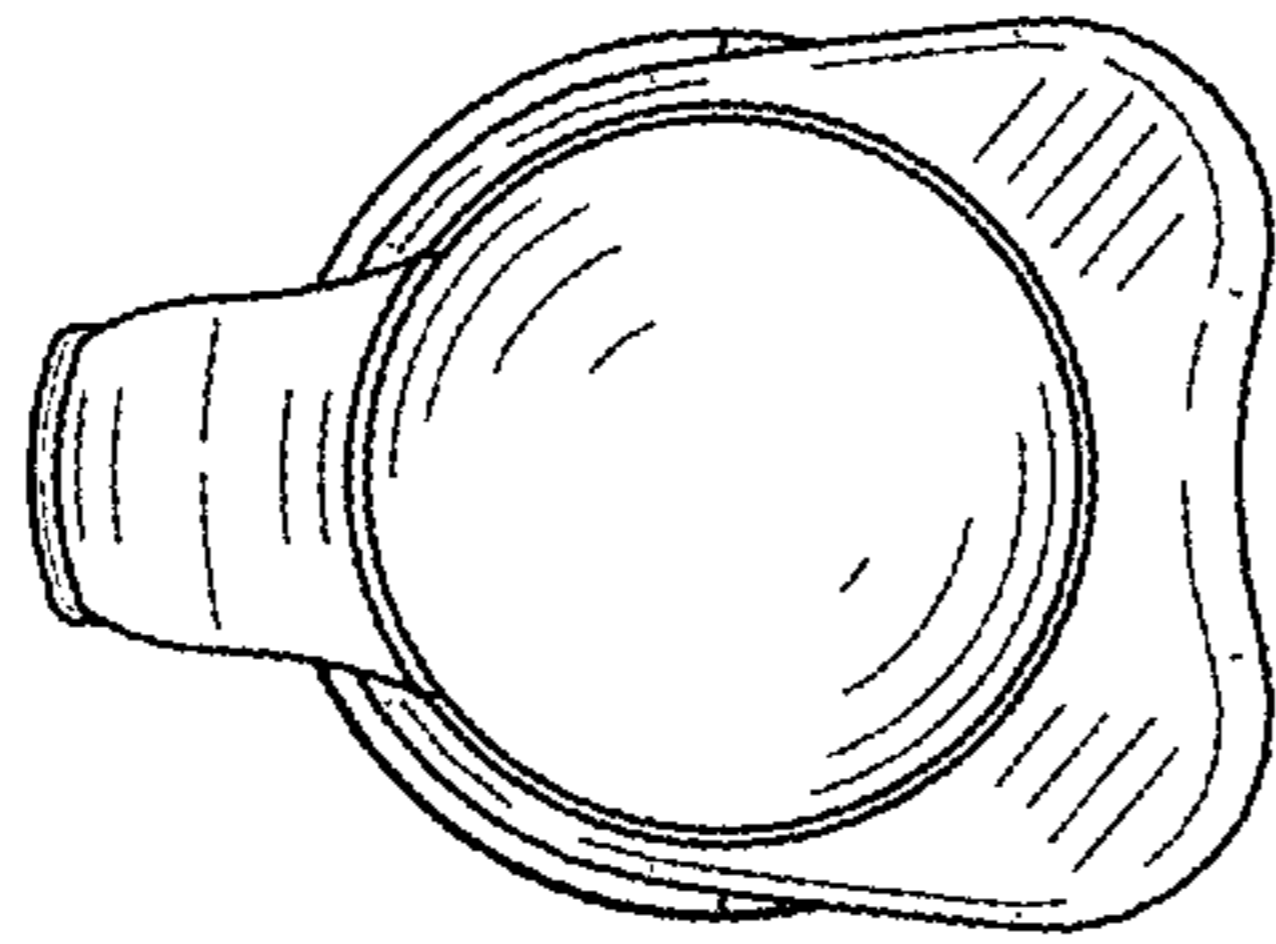


FIG.5

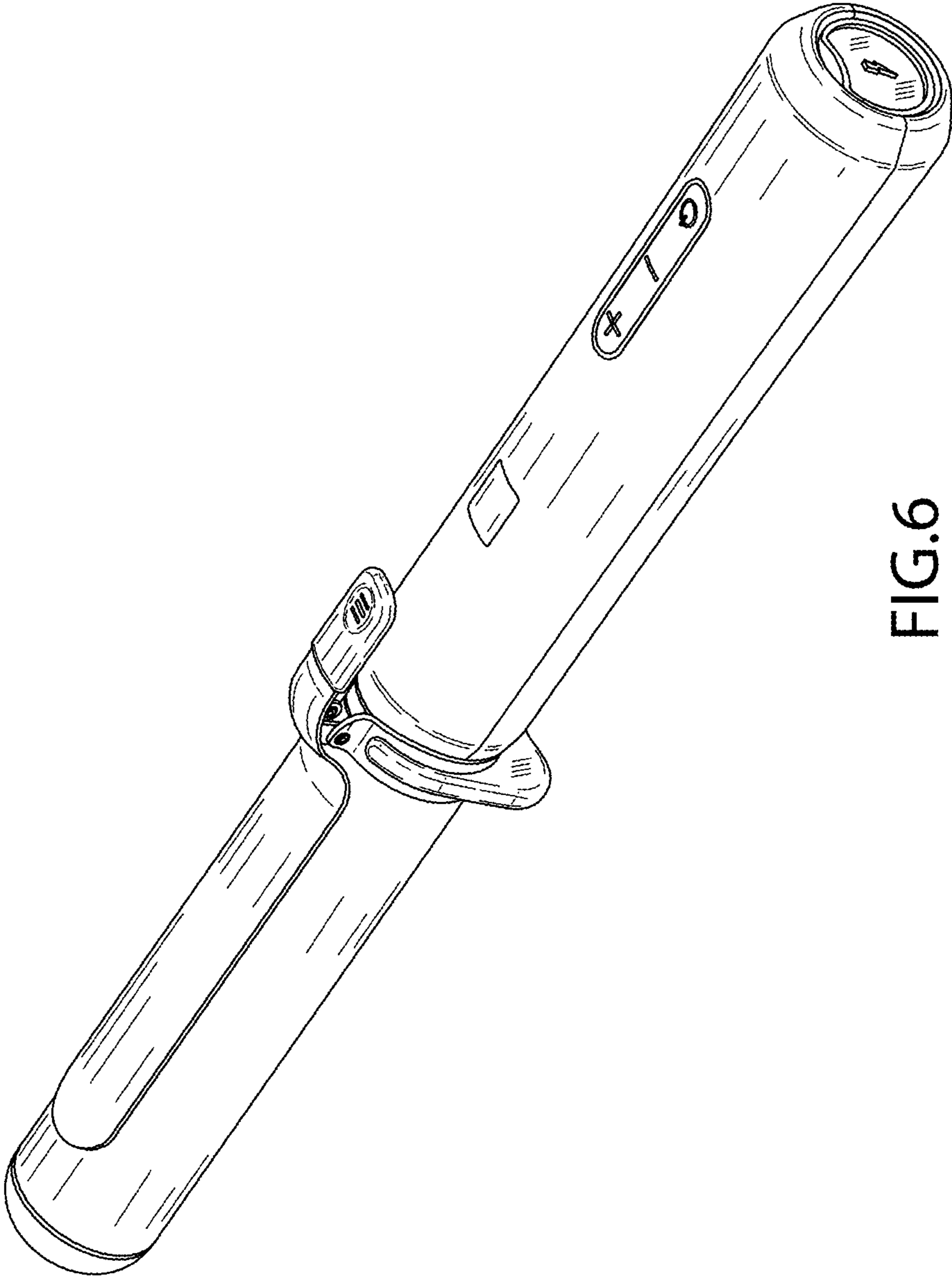


FIG.6

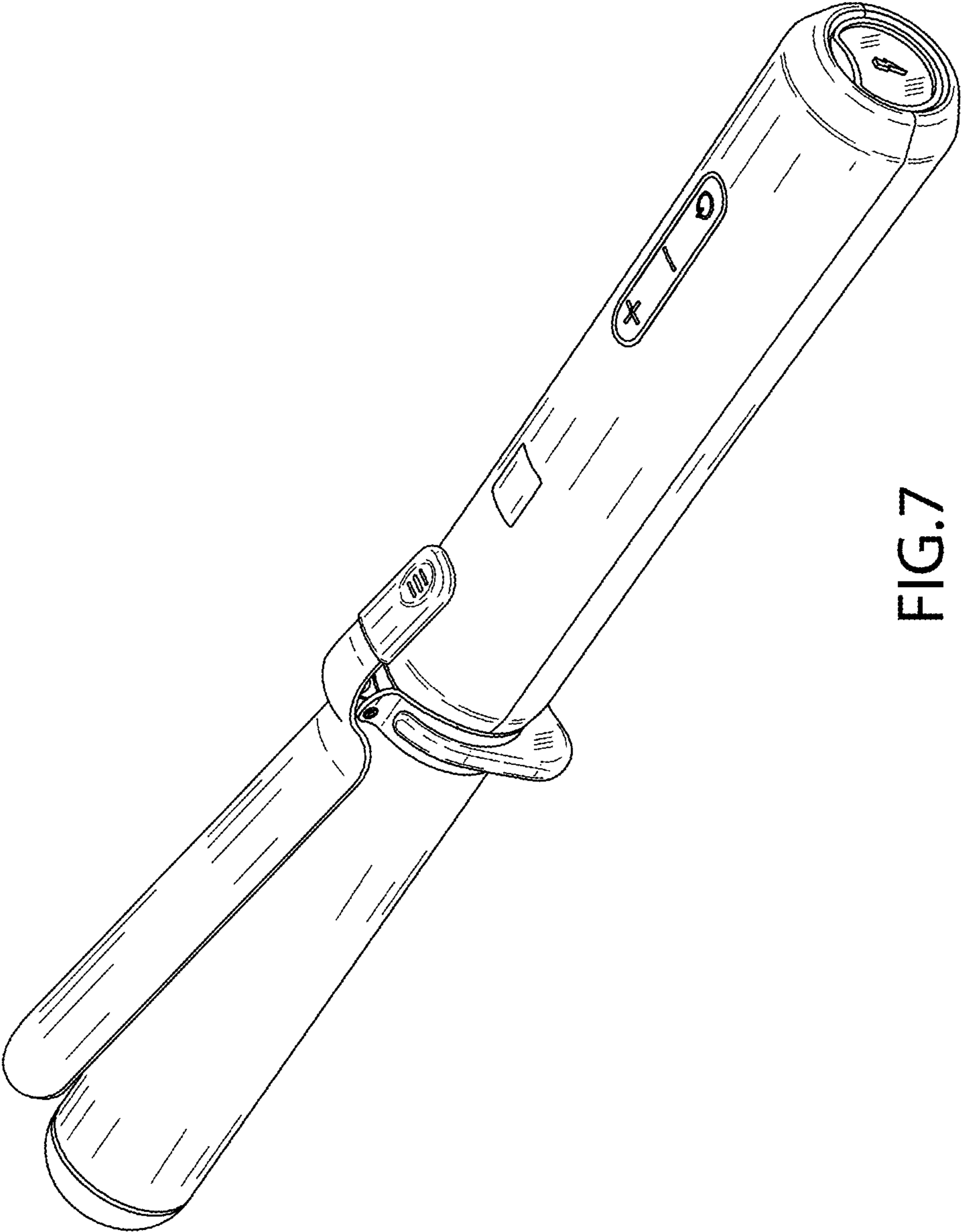


FIG.7

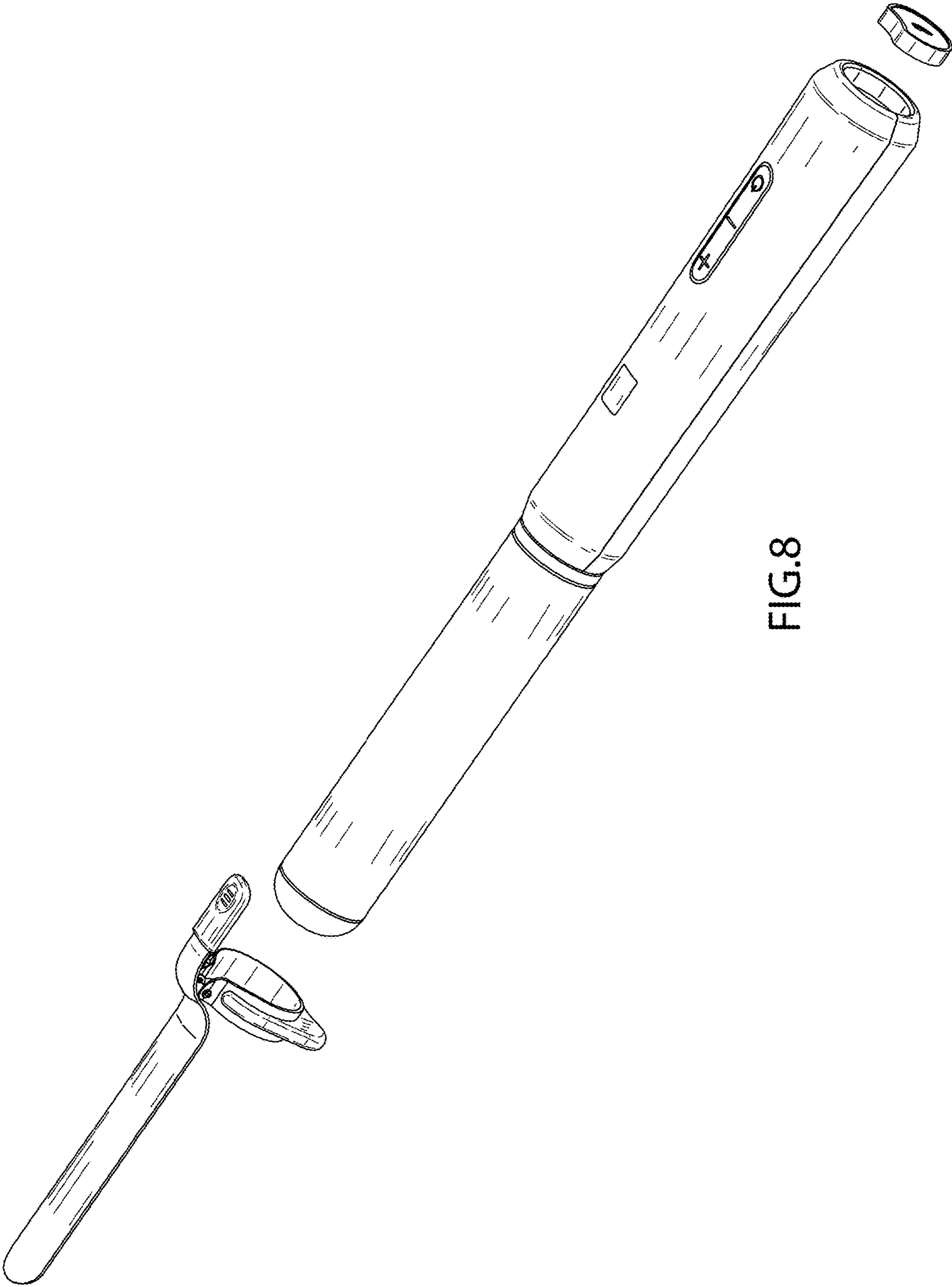


FIG.8