

US00D872359S

(12) **United States Design Patent** (10) **Patent No.:** **US D872,359 S**
Maor et al. (45) **Date of Patent:** **** Jan. 7, 2020**

(54) **LICE REMOVAL DEVICE**
(71) Applicants: **Moshe Maor**, Welshpool (AU);
Edward Khoury, Bateman (AU)
(72) Inventors: **Moshe Maor**, Welshpool (AU);
Edward Khoury, Bateman (AU)

D368,342 S 3/1996 Founds
6,086,682 A 7/2000 Anderson
D451,639 S * 12/2001 Lior D28/10
8,359,755 B1 1/2013 Laube
2007/0084416 A1 4/2007 Liao
2009/0126648 A1 5/2009 Porter et al.
2011/0308034 A1 12/2011 Powers et al.
2014/0026822 A1 1/2014 Harris, II
2016/0073612 A1 3/2016 Cafasso et al.

(**) Term: **15 Years**
(21) Appl. No.: **29/672,321**
(22) Filed: **Dec. 4, 2018**

Related U.S. Application Data

(63) Continuation of application No.
PCT/AU2017/050617, filed on Jun. 19, 2017.
(51) **LOC (12) Cl.** **28-03**
(52) **U.S. Cl.**
USPC **D28/24**
(58) **Field of Classification Search**
USPC D28/7, 20-34; D32/49; D30/158, 159;
D24/133
CPC A45D 24/00; A45D 24/007; A45D 24/30;
A01K 13/00; A01K 13/002
See application file for complete search history.

References Cited

U.S. PATENT DOCUMENTS

3,730,190 A * 5/1973 Ford A45D 20/50
132/119.1
3,760,821 A * 9/1973 Weddington A45D 24/10
132/118
D234,322 S * 2/1975 Smith D28/13
D242,951 S * 1/1977 Bradford D28/24
4,485,583 A 12/1984 Planty
4,799,460 A 1/1989 Kuhl
D326,744 S 6/1992 Leclair
5,211,131 A 5/1993 Plyer

OTHER PUBLICATIONS

Office Action 1 for U.S. Appl. No. 15/100,069, dated Jul. 26, 2018.
Response to Office Action 1 for U.S. Appl. No. 15/100,069, dated
Sep. 27, 2018.

(Continued)

Primary Examiner — Zenia I Bennett
(74) *Attorney, Agent, or Firm* — Tope-McKay &
Associates

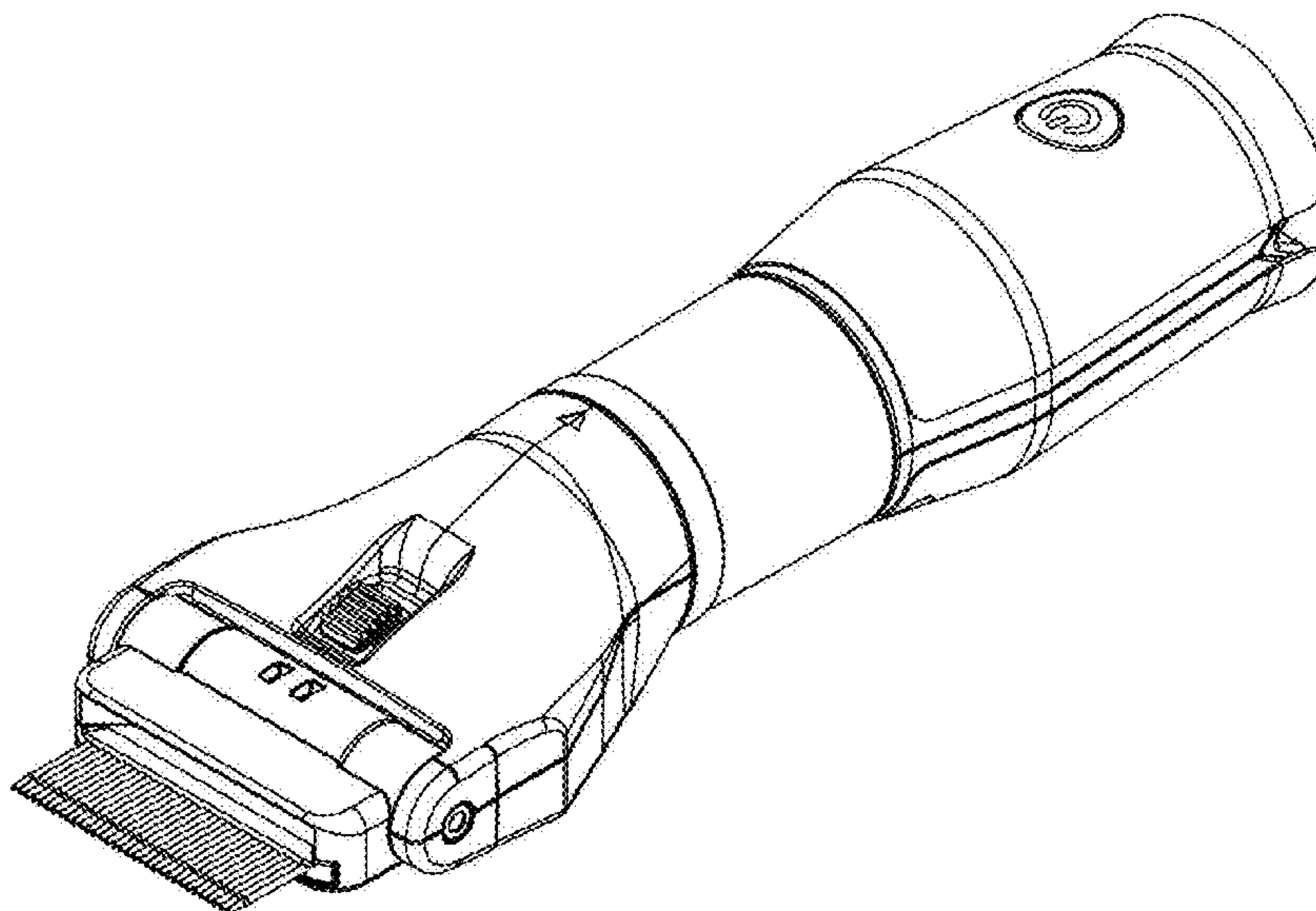
(57) **CLAIM**

The ornamental design for a lice removal device, as shown.

DESCRIPTION

FIG. 1 is a first front top perspective view of a lice removal device in accordance with the new design;
FIG. 2 is a second front top perspective view thereof;
FIG. 3 is a front bottom perspective view thereof;
FIG. 4 is a top elevation view thereof;
FIG. 5 is a bottom elevation view thereof;
FIG. 6 is a left side elevation view thereof;
FIG. 7 is a right side elevation view thereof;
FIG. 8 is a rear elevation view thereof; and,
FIG. 9 is a front elevation view thereof.
The broken lines in the drawing depicting portions of the bottom of the lice removal device are for illustrative purposes only and form no part of the claimed design.

1 Claim, 9 Drawing Sheets



(56)

References Cited

OTHER PUBLICATIONS

Office Action 2 for U.S. Appl. No. 15/100,069, dated Dec. 3, 2018.
Response to Office Action 2 for U.S. Appl. No. 15/100,069, dated
Feb. 20, 2019.

Office Action 3 for U.S. Appl. No. 15/100,069, dated Mar. 25, 2019.
Response to Office Action 3 for U.S. Appl. No. 15/100,069, dated
Apr. 23, 2019.

* cited by examiner

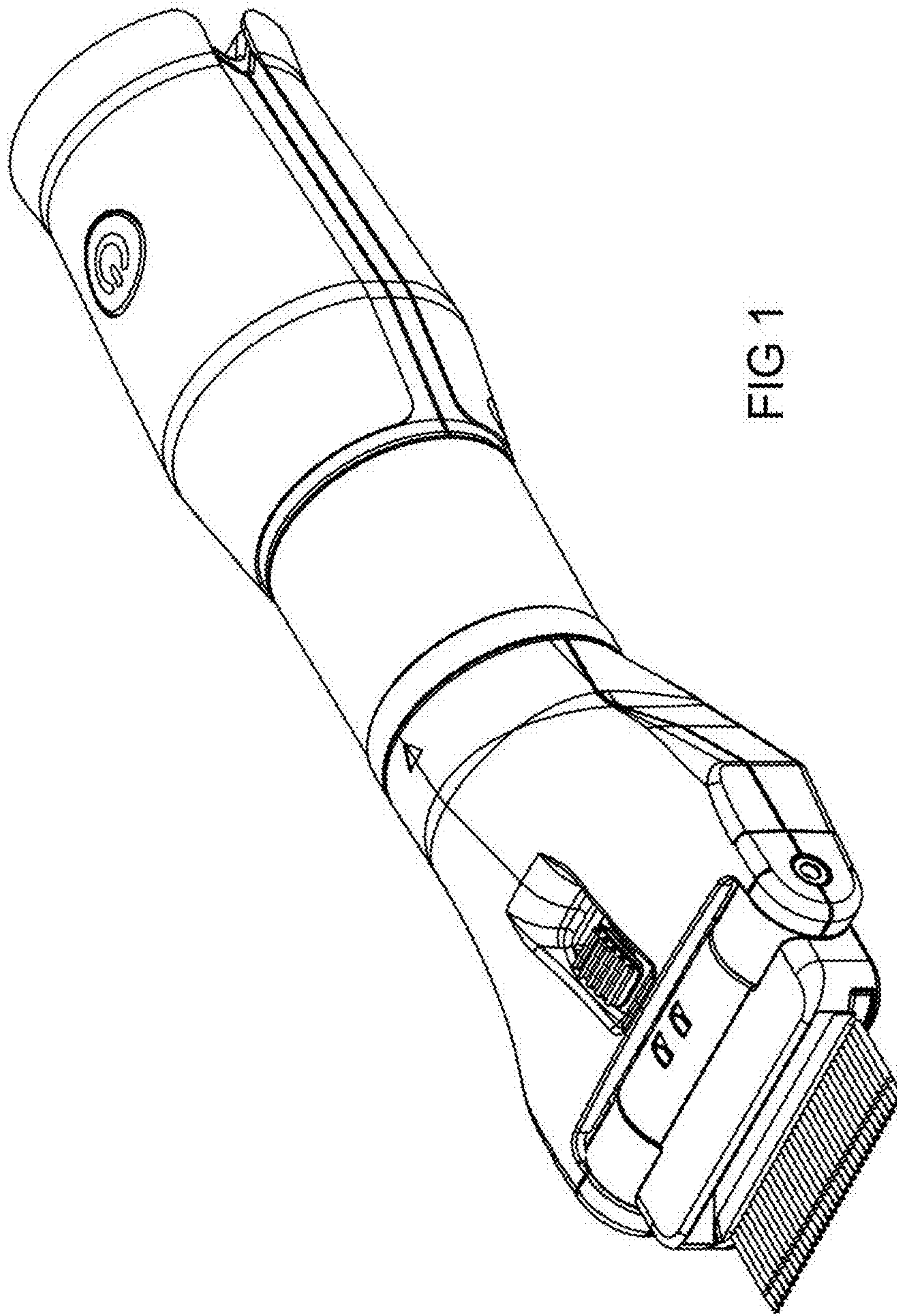


FIG 1

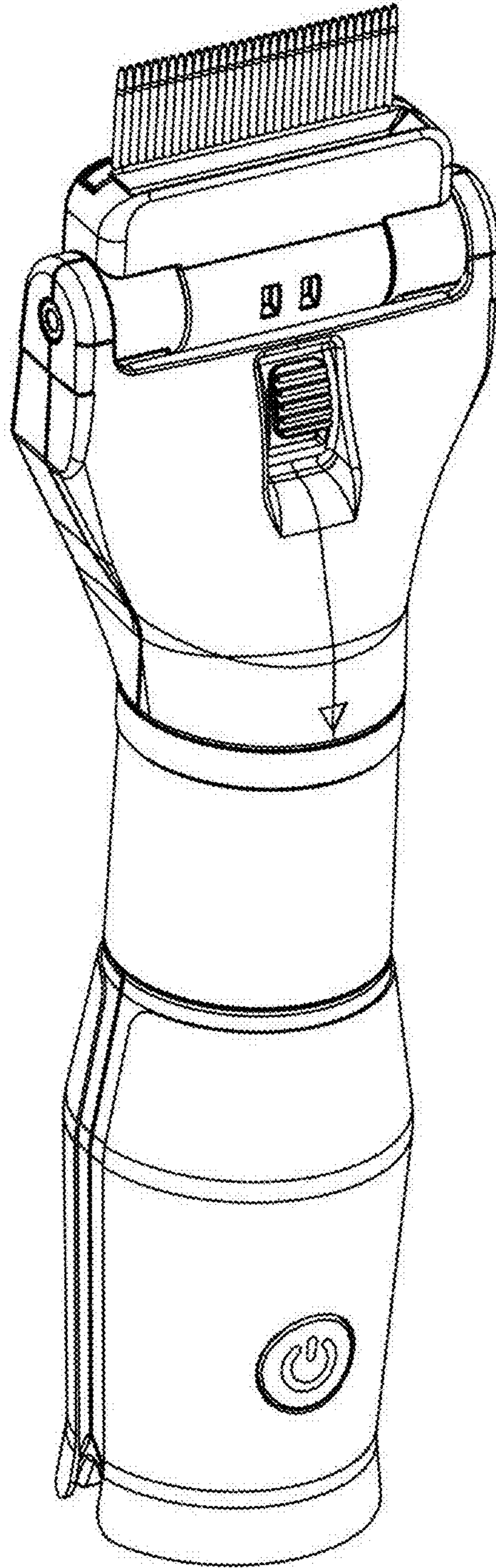


FIG 2

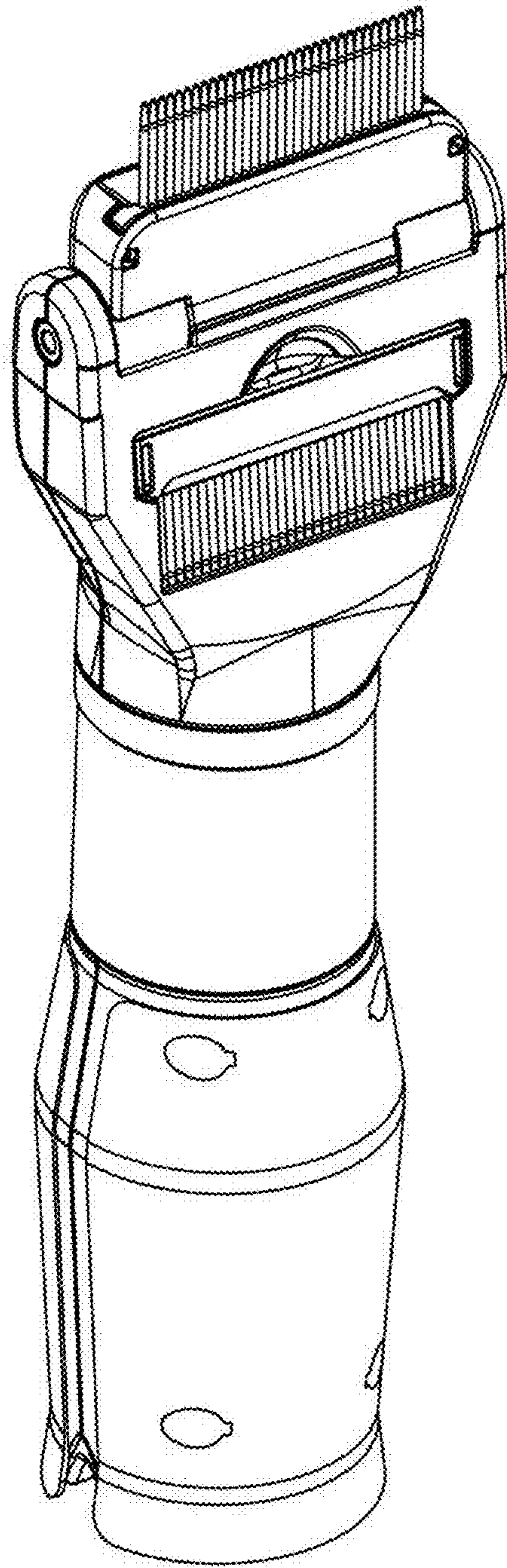


FIG 3

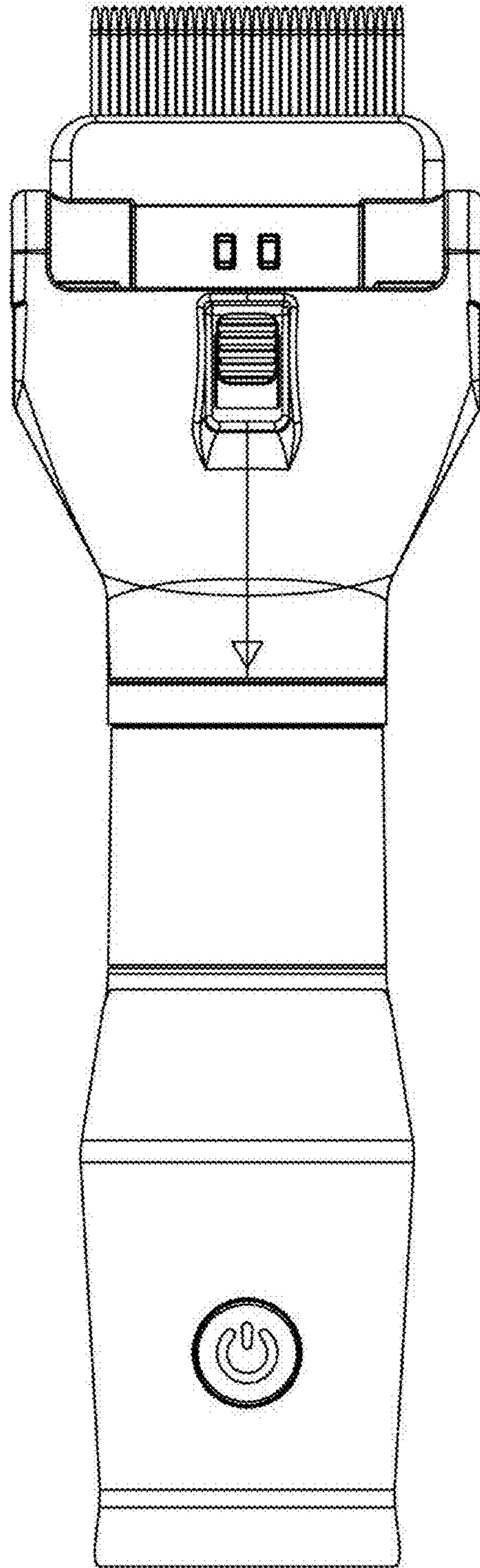


FIG 4

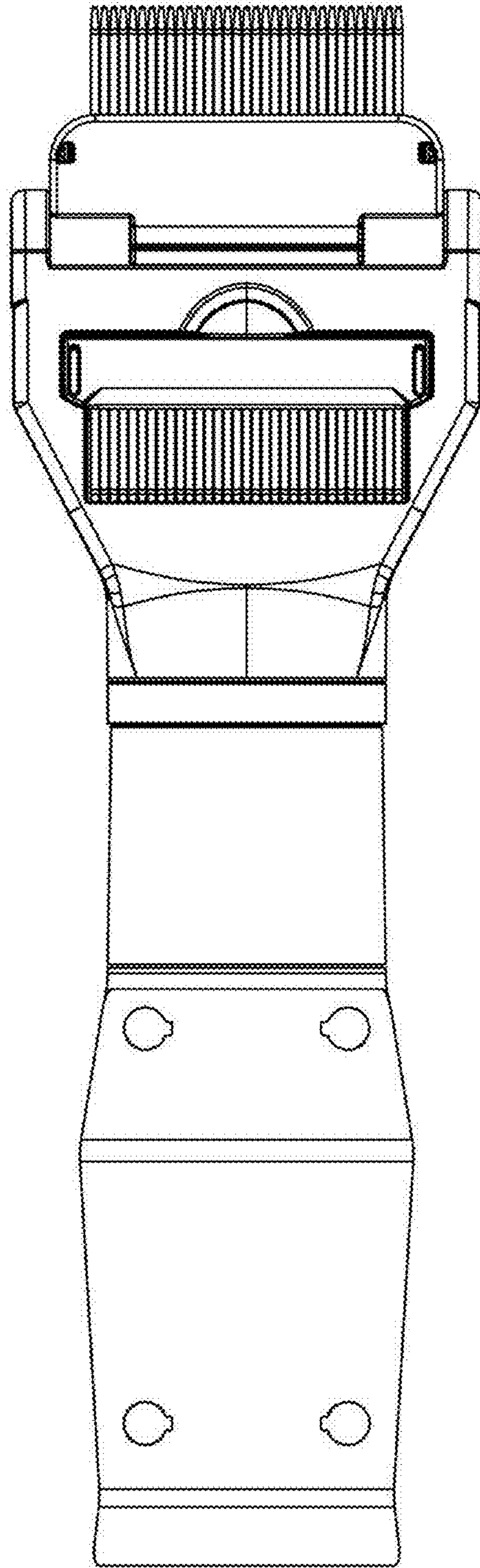


FIG 5

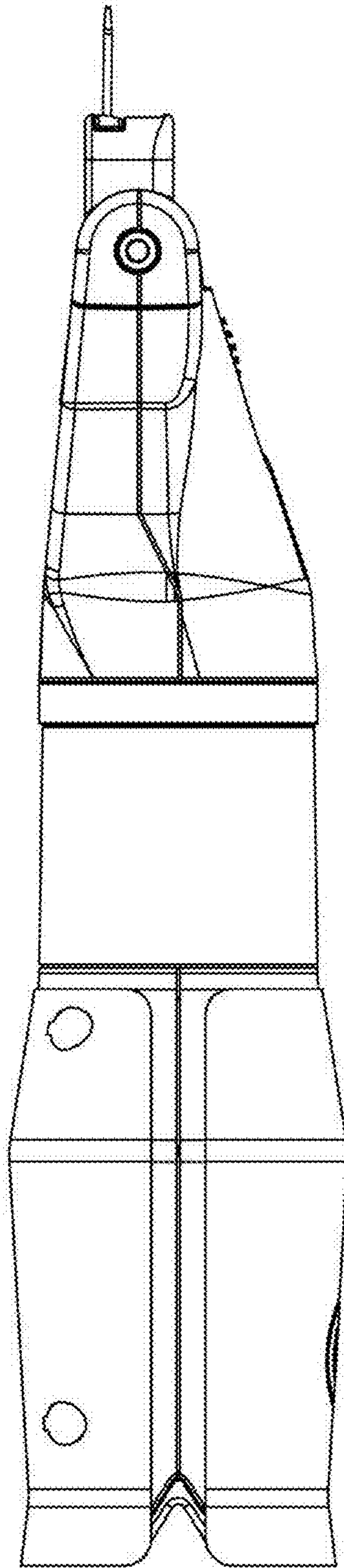


FIG 6

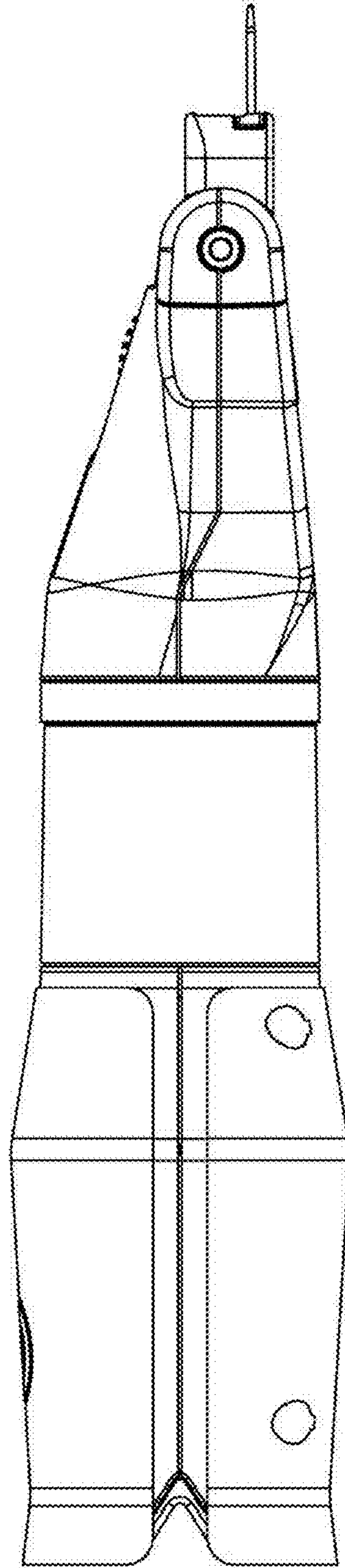


FIG 7

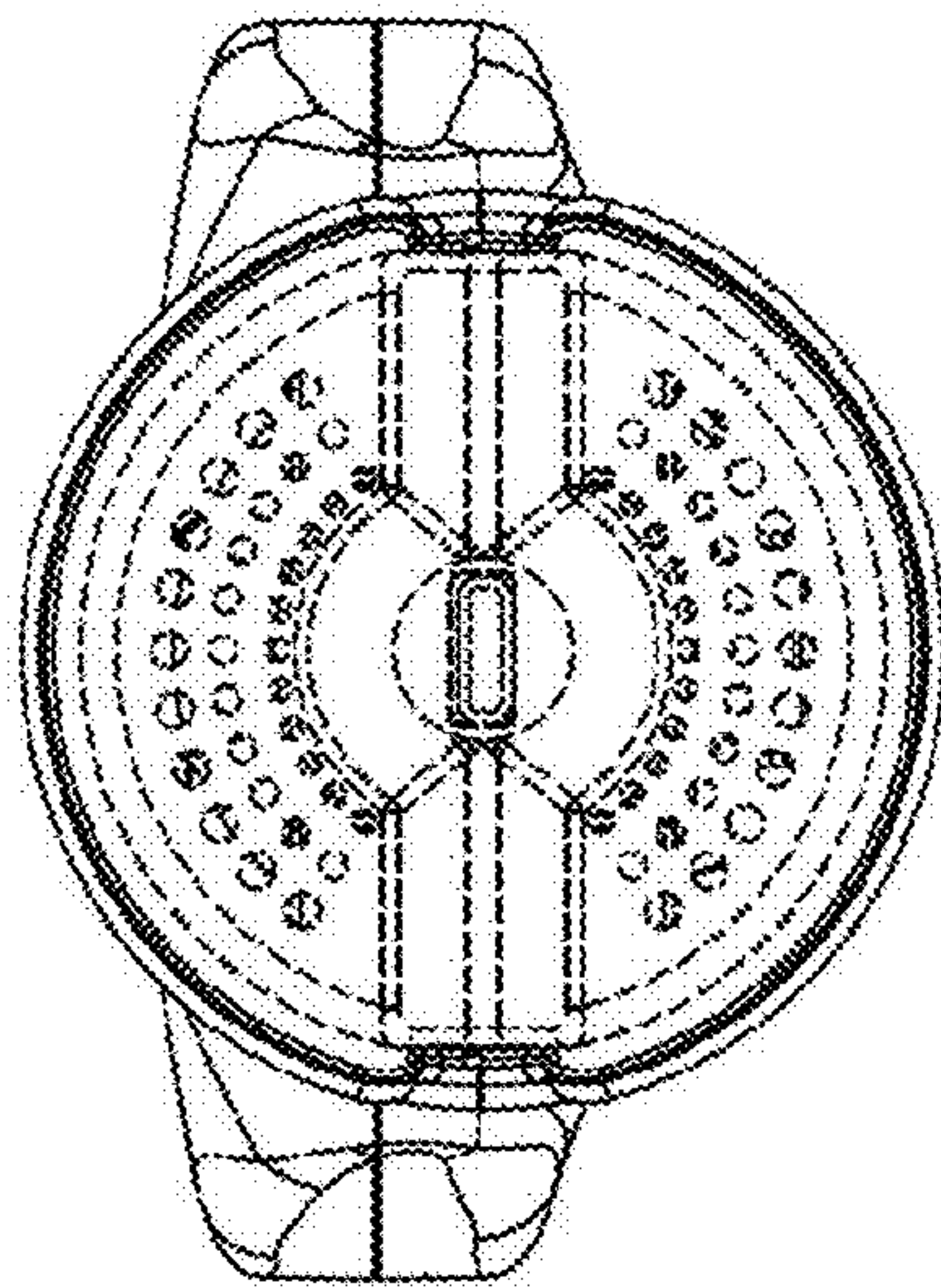


FIG 8

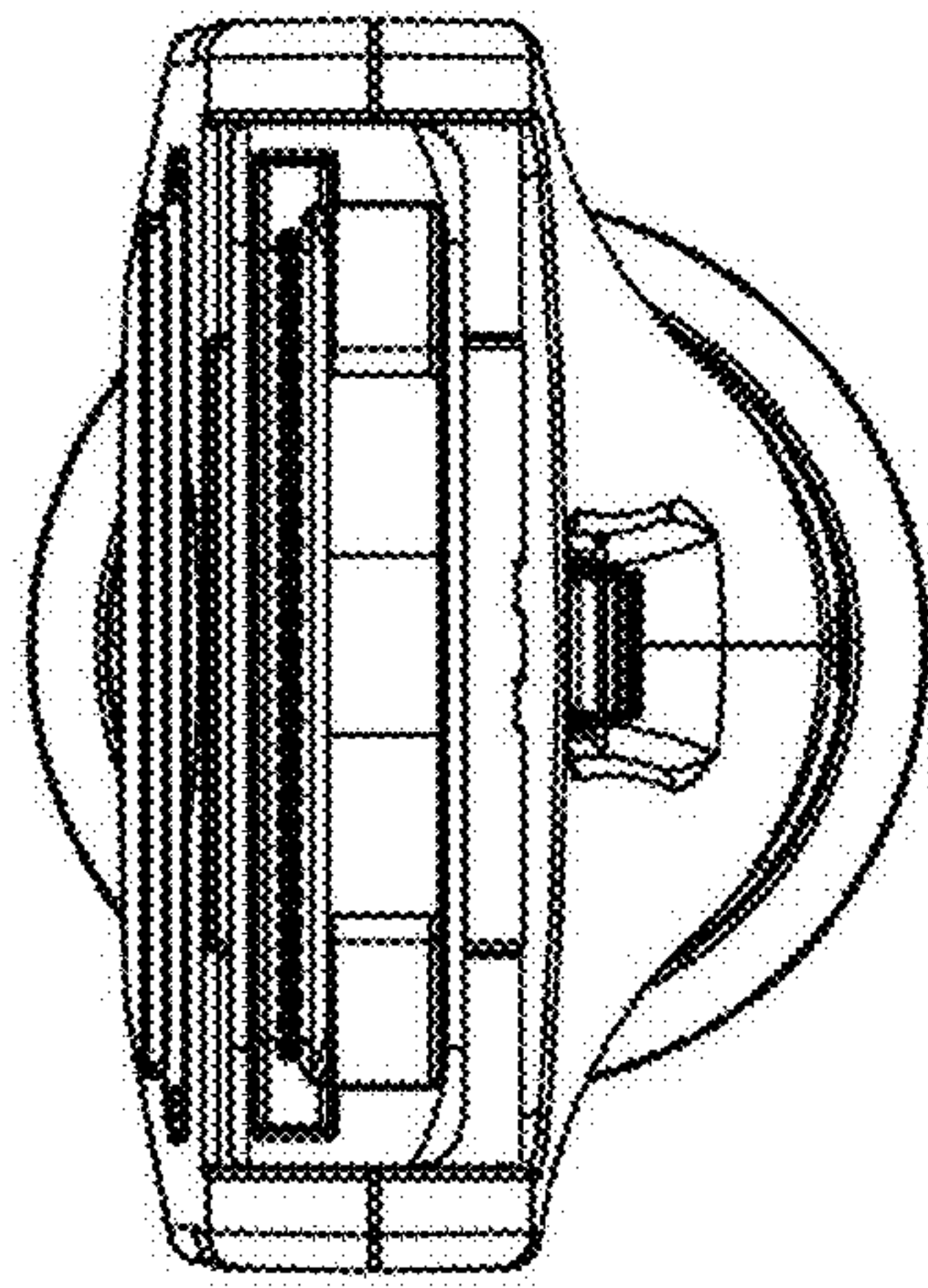


FIG 9