



US00D872357S

(12) **United States Design Patent** (10) **Patent No.:** **US D872,357 S**
Hoch et al. (45) **Date of Patent:** **** Jan. 7, 2020**

(54) **SMOKING APPARATUS ACCESSORY**

2,040,704 A 5/1936 Modine
 D100,535 S 7/1936 Ackerman
 D102,406 S 12/1936 Altizer et al.
 D102,637 S 1/1937 Millsap
 D111,276 S 9/1938 Cippico
 (Continued)

(71) Applicant: **Eyce LLC**, Bend, OR (US)

(72) Inventors: **Charles Vincent Hoch**, Bend, OR (US); **Bruce A. Hoch**, Bend, OR (US)

(73) Assignee: **EYCE, LLC**, Bend, OR (US)

(**) Term: **15 Years**

(21) Appl. No.: **29/658,714**

(22) Filed: **Aug. 2, 2018**

FOREIGN PATENT DOCUMENTS

CN 200979176 Y 11/2007
 CN 300807820 7/2008
 (Continued)

OTHER PUBLICATIONS

Purr 4 Inch Spoon Pipe Product Review; Dec. 19, 2017; <https://www.youtube.com/watch?v=4tZjTwBP4XU>; 2 pages.
 (Continued)

Primary Examiner — Susan Bennett Hattan
Assistant Examiner — Rebecca Tsehaye
 (74) *Attorney, Agent, or Firm* — Dorsey & Whitney LLP

Related U.S. Application Data

(63) Continuation of application No. 29/604,098, filed on May 15, 2017, now Pat. No. Des. 825,101.

(51) **LOC (12) Cl.** **27-99**

(52) **U.S. Cl.**
USPC **D27/194**

(58) **Field of Classification Search**
USPC D27/194, 167, 168, 162, 163, 165;
D26/21, 22, 23, 9, 10; 131/226, 222,
131/220, 224, 247, 330, 194-196;
248/519, 146, 118.1

CPC A24F 1/00; A24F 1/10; A24F 1/24; A24F
1/30; A24F 5/10; A24F 5/12; A24F 5/00

See application file for complete search history.

(57) **CLAIM**

We claim the ornamental design of a smoking apparatus accessory, substantially as shown and described.

DESCRIPTION

FIG. 1 is an isometric view of a smoking apparatus accessory of the present invention.

FIG. 2 is an exploded isometric view of the smoking apparatus accessory of FIG. 1 with a smoking apparatus and additional accessory shown as environment; and,

FIG. 3 is a cross-sectional view along line 3-3 of the smoking apparatus of FIG. 2.

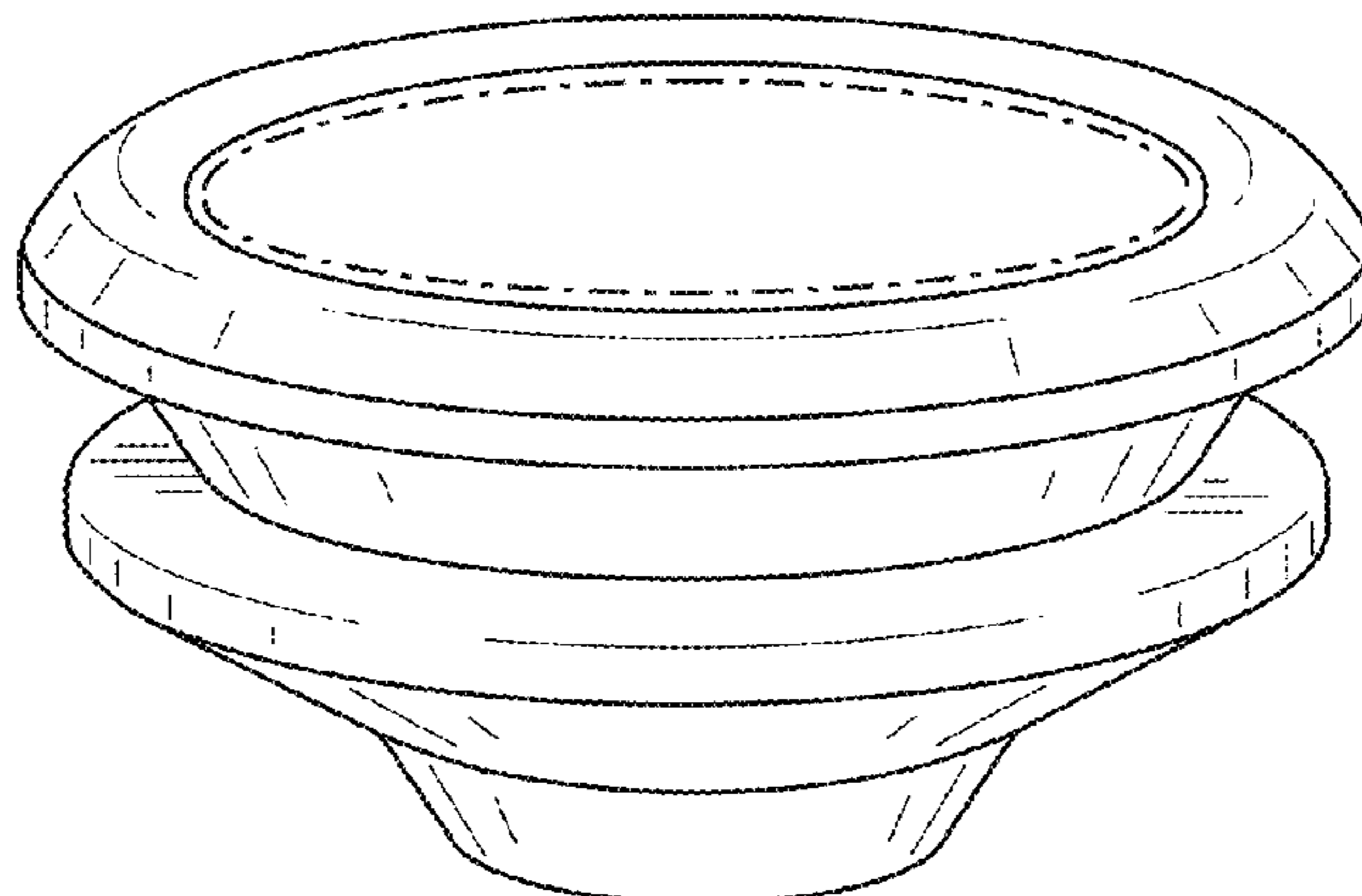
The features shown in broken lines in the figures indicate environment only and form no part of the claimed design. The dot-dash line in the figures indicates a boundary and the area within forms no part of the claimed design.

1 Claim, 3 Drawing Sheets

(56) **References Cited**

U.S. PATENT DOCUMENTS

D2,505 S 11/1866 Harry
 214,586 A 4/1879 Riedel
 895,626 A 8/1908 Geltz
 945,973 A 1/1910 Miles
 D54,831 S 4/1920 Campbell
 1,617,113 A 2/1927 Hirschl
 D74,334 S 1/1928 Sorbello
 1,881,793 A 10/1932 Mariani
 1,987,407 A 8/1935 McAllaster



(56)

References Cited

U.S. PATENT DOCUMENTS

2,192,448 A	3/1940	Lingo	D249,281 S	9/1978	Graham
D120,674 S	5/1940	Miller	D249,282 S	9/1978	Nielsen
D122,042 S	8/1940	Bressler	4,111,213 A	9/1978	Shanton
D126,132 S	3/1941	Harris	D249,896 S	10/1978	Graham
D127,324 S	5/1941	Leser	4,164,949 A	8/1979	Diven
D131,197 S	1/1942	Leser	4,171,703 A	10/1979	Locke
D132,045 S	4/1942	Borger	D253,848 S	1/1980	Karp
D132,046 S	4/1942	Borger	4,187,885 A	2/1980	Kahler et al.
D132,561 S	5/1942	Clements	D254,510 S	3/1980	Shaak
2,285,057 A	6/1942	Russell	4,223,686 A	9/1980	Murray, Jr.
2,325,412 A	7/1943	Martin	D258,013 S	1/1981	Murphy
2,335,087 A	11/1943	Schmier	4,253,475 A	3/1981	Schreiber
2,385,312 A	9/1945	Swift	D261,689 S	11/1981	Weglein
D142,572 S	10/1945	Leipper	D261,690 S	11/1981	Murray, Jr.
D142,760 S	10/1945	Wyse	D265,595 S	7/1982	Galanter
2,387,381 A	10/1945	Zuckerman	D273,713 S	5/1984	Sher
D142,922 S	11/1945	Rosenberg	D273,714 S	5/1984	Sher
D143,423 S	1/1946	Goulston	D273,715 S	5/1984	Sher
D143,593 S	1/1946	Hollenbeck	4,788,988 A	12/1988	Titus
D144,346 S	4/1946	Ash	D304,625 S	11/1989	Katayama
D146,209 S	1/1947	Baxter	D304,771 S	11/1989	Katayama
D147,035 S	7/1947	Christensen	D305,804 S	1/1990	Browning
D150,219 S	7/1948	Furedy	D342,805 S	12/1993	Heine
D152,369 S	1/1949	Sampson	D349,065 S	7/1994	West
D154,917 S	8/1949	Galashek	D350,411 S	9/1994	Heine
D159,295 S	7/1950	Park	D358,227 S	5/1995	Heine
2,529,278 A	11/1950	Bowers	D358,228 S	5/1995	Heine
1,967,438 A	7/1951	Louis	5,476,110 A	12/1995	Baig
2,628,622 A	2/1953	Smith	D368,324 S	3/1996	Heine
2,637,327 A	5/1953	Ndelson	D371,632 S	7/1996	Truelove
D170,257 S	8/1953	Francken	D376,033 S	11/1996	Heine
D171,694 S	3/1954	Gevirman	D387,476 S	12/1997	Chambers
D172,008 S	4/1954	David	5,908,031 A	6/1999	Clark
D176,221 S	11/1955	Lieber	RE36,254 E	7/1999	Newman
D177,036 S	3/1956	Gevirman	D413,002 S	8/1999	Melograno
D177,226 S	3/1956	Gevirman	5,967,147 A	10/1999	Newman
D177,321 S	4/1956	Gevirman	5,993,748 A	11/1999	Wheeler
D177,602 S	5/1956	Wang	6,067,993 A	5/2000	Mahoney, III
D177,952 S	6/1956	Wang	D436,686 S	1/2001	Fujisawa
D178,959 S	10/1956	Hodgkins	D443,103 S	5/2001	Neason
D179,116 S	11/1956	Bugg	D485,639 S	1/2004	Stronski
D179,117 S	11/1956	Bugg	6,745,777 B2	6/2004	Liu
D179,179 S	11/1956	Atkins	D532,892 S	11/2006	Koon
D179,373 S	12/1956	Berenson	D547,125 S *	7/2007	Wasserman D7/545
2,827,059 A	3/1958	Czap	D582,094 S	12/2008	Lee
2,864,382 A	12/1958	Hercules	D617,939 S	6/2010	Mansour et al.
2,884,931 A	5/1959	Fred	D617,940 S	6/2010	Mansour et al.
3,091,246 A	5/1963	Mahieux	D618,389 S *	6/2010	Masri D27/162
D199,552 S	11/1964	Berenson	D625,851 S *	10/2010	Furner D26/22
D201,104 S *	5/1965	Du Pree D26/10	D634,065 S *	3/2011	Borushek D27/170
3,209,764 A	10/1965	Shih	D649,700 S	11/2011	Mehio
D203,430 S	1/1966	Chernock	D684,313 S	6/2013	Wu
D203,914 S	2/1966	Fassbender	D692,548 S	10/2013	Wirz
D204,922 S	5/1966	Jeannin	D692,550 S	10/2013	Wirz
3,308,834 A	3/1967	Furedy	D710,984 S	8/2014	Hsiao
D207,376 S	4/1967	Chernock	D711,522 S	8/2014	Hsiao
D212,179 S	9/1968	Chernock	D711,523 S	8/2014	Hsiao
D217,520 S	5/1970	Gordon	D711,524 S	8/2014	Hsiao
D219,566 S	12/1970	Fish	D717,994 S	11/2014	Alima
3,669,127 A	6/1972	Owens	D722,720 S	2/2015	Garbo
D224,760 S	9/1972	Chernack	8,955,521 B1	2/2015	Hanson
D229,726 S	12/1973	Finn	D726,364 S	4/2015	Weigensberg
3,792,705 A	2/1974	Fredrick	D726,365 S	5/2015	Siniakov
D231,640 S	5/1974	Kahler	D729,976 S	5/2015	Mehio
D233,863 S	12/1974	Keidl	D733,280 S	6/2015	Bourne
3,881,499 A	5/1975	McFadden	D739,601 S	9/2015	Bahbah
3,882,875 A	5/1975	Frost	D741,003 S	10/2015	Von Schoultz
D240,542 S	7/1976	Murray, Jr.	D745,738 S *	12/2015	Abdelmaseh D27/162
4,031,905 A	6/1977	Dunn	D745,739 S	12/2015	Abadi
D246,391 S	11/1977	Lefkow	D745,994 S *	12/2015	Hanna D27/162
D247,255 S	2/1978	Frost	D749,262 S	2/2016	Schoenfeld
D247,408 S	3/1978	Ventura	D751,755 S	3/2016	Van Riper
D248,572 S	7/1978	Graham	D754,918 S	4/2016	Jergenson
D248,671 S	7/1978	Graham	D757,357 S	5/2016	Helfrich
D249,070 S	8/1978	Evans	D758,003 S	5/2016	Merwin
			D758,648 S	6/2016	Wu
			D762,004 S	7/2016	Kesselman
			D768,917 S	10/2016	Salem
			D783,209 S	4/2017	Morris

(56)

References Cited

U.S. PATENT DOCUMENTS

D785,236	S	4/2017	Elhalwani	
D787,715	S *	5/2017	Nechita	D26/9
D790,123	S	6/2017	Beer et al.	
D790,124	S	6/2017	Beer et al.	
D790,125	S	6/2017	Beer et al.	
D790,767	S	6/2017	Rush	
D802,727	S	11/2017	Cabrera	
9,848,637	B2	12/2017	Haddad	
D807,578	S	1/2018	Barkowski	
D809,193	S	1/2018	Mcintyre et al.	
D818,639	S	5/2018	Kayvon et al.	
D820,516	S	6/2018	Swanson et al.	
D825,101	S *	8/2018	Hoch	D27/162
D825,839	S	8/2018	Rhoades	
D832,502	S	10/2018	Durand	
D838,409	S	1/2019	Reimann	
2003/0146360	A1 *	8/2003	Steinmetz	G01K 11/28 248/346.01
2006/0086364	A1	4/2006	Liu	
2007/0034219	A1	2/2007	Affinito	
2009/0258117	A1	10/2009	Lee	
2011/0005533	A1	1/2011	Evans	
2011/0167836	A1	7/2011	Zorovich	
2012/0006970	A1	1/2012	Evans et al.	
2012/0200079	A1	8/2012	Williams	
2012/0205331	A1 *	8/2012	Stejskal	F21V 35/00 211/60.1
2013/0104738	A1	5/2013	Goldstein	
2014/0130812	A1	5/2014	Kling	
2014/0182604	A1	7/2014	Hutton	
2014/0338679	A1	11/2014	Gransar	
2015/0167884	A1	6/2015	King et al.	
2015/0181931	A1	6/2015	Hoover et al.	
2016/0249678	A1	9/2016	Katz	
2016/0295911	A1	10/2016	Kalousek	
2017/0055579	A1	3/2017	Kuna	
2017/0056607	A1	3/2017	Jones	
2017/0099872	A1	4/2017	Reimann	
2017/0099874	A1	4/2017	Reimann	
2017/0105447	A1	4/2017	Gay	
2017/0143035	A1	5/2017	Pucci	

FOREIGN PATENT DOCUMENTS

CN	301146305	D	2/2010
CN	203646495	U	6/2014
CN	303322979	S	8/2015
CN	303350916	S	8/2015
CN	303865031	S	9/2016
CN	303891842	S	10/2016
CN	206294887	U	7/2017
CN	304355617	S	11/2017
CN	304355618	S	11/2017
CN	304790175	S	8/2018
CN	304840656	S	10/2018
CN	304947931	S	12/2018
CN	304982670	S	1/2019

OTHER PUBLICATIONS

cheech-water-pipes-glass-honey-c; Dec. 19, 2017; <https://www.dhgate.com/product/cheech-water-pipes-glass-honey-cup-mini-glass/216667731.html>; 4 pages.
<https://nyvapeshop.com/glass-pipes/>; Dec. 19, 2017; <https://nyvapeshop.com/glass-pipes/>; 22 pages.
 127; Dec. 19, 2017; https://www.artfire.com/ext/shop/product_view/LeoGlassworks/12723637/bb8_marble_blue_spoon_pipe; 3 pages.
 multi-colored-5-glass-pipe-spo; Dec. 19, 2017; <https://bizarrosmoke.com/product/multi-colored-5-glass-pipe-spoon-shape-insense-holder-manufactured-by-crystal-rose-handmade-glass-art-pipe-inside-double-blown-one-of-a-kind-design/>; 5 pages.
<http://ehoy.us/smoking-spoon-pipes/>; Dec. 19, 2017; <http://ehoy.us/smoking-spoon-pipes/>; 8 pages.

classic-green-spoon-marijuana-p; Dec. 19, 2017; <https://archive.theweedblog.com/classic-green-spoon-marijuana-pipe/>; 3 pages.
 spoon-pipes; Dec. 19, 2017; <https://www.wickiepipes.com/pipes/glass-pipes/spoon-pipes>; 9 pages.
 5-black-white-dichro-he; Dec. 19, 2017; <https://www.pipesbyga.com/product-page/5-black-white-dichro-heavy-glass-spoon-pipe>; 1 page.
<http://spoon.edot.us/smoking-spoon/>; Dec. 19, 2017; <http://spoon.edot.us/smoking-spoon/>; 8 pages.
 mav-five-hole-spoon-pip; Dec. 19, 2017; <https://store.nvsglassworks.com/product/mav-five-hole-spoon-pipe-cobalt/>; 7 pages.
 eyce-silicone-spoon-pipe-a; Dec. 19, 2017; <http://afgdistribution.com/index.php/eyce-silicone-spoon-pipe-assorted-1Opc-display.html>; 1 page.
 doUQjzpBnYRO; Dec. 19, 2017; <http://szbontek.en.made-in-china.com/product-group/doUQjzpBnYRO/Glass-Hand-pipes-Bubblers-catalog-1.html>; 5 pages.
http://www.gogopies.com/dichro_spoon_color_changing_glass_pipes.html; Dec. 19, 2017; http://www.gogopies.com/dichro_spoon_color_changing_glass_pipes.html; 6 pages.
<https://angiesboutiques.com/pipes/glass-pipes.html>; Dec. 19, 2017; <https://angiesboutiques.com/pipes/glass-pipes.html>; 17 pages.
 China-; Dec. 19, 2017; <http://hfglass.en.made-in-china.com/product/GvIJNacCZFkf/China-Thick-Heady-Tobacco-Wholesale-Smoking-Glass-Pipe-Hookah-Hand-Blown-Spoon-Pipe.html>; 4 pages.
 spoon-pipe (2); Dec. 19, 2017; <http://www.sandipointe.com/appliances/spoon-pipe>; 2 pages.
 Grav-Labs-Two-Feet-Spoon-Pipes-f; Dec. 19, 2017; <http://www.cheappipesbongs.com/Grav-Labs-Two-Feet-Spoon-Pipes-for-Tobacco-p346728.html>; 10 pages.
 Up%20&%20Down%20Sho; Dec. 19, 2017; <http://production.elpasotimes.net/TestLinks/Up%20&%20Down%20Shop/smoking-pipes.html>; 2 pages.
<https://www.aevape.com/product/4-5-borosilicate-hand-pipe/>; Dec. 19, 2017; <https://www.aevape.com/product/4-5-borosilicate-hand-pipe/>; 9 pages.
 USA Assorted GRAV Labs Frit Hand Pipe 4; Dec. 19, 2017; <http://www.marijuanapackaging.com/assorted-grav-labs-frit-hand-pipe-4.html>; 2 pages.
 glass-spoon-pipe-heavy-gold-f; Dec. 19, 2017; <https://mamarijuana.com/926/bongs/glass-spoon-pipe-heavy-gold-fume-small-heart-review/>; 2 pages.
 Glass SideCar WP1895 Water Pipes / GogoPipes.com; Dec. 7, 2017 <http://www.gogopies.com/sidecar-water-pipes-wp1895.html>; 4 pages.
 Turbine Sidecar Waterpipe by CLV / Badass Glass; Dec. 7, 2017 <https://www.badassglass.com/turbine-sidecar-waterpipe.html>; 2 pages.
 2018 Mini Hookah Glass Bongs Sidecar Design Snowman Bong Dab Rigs 14.5 Male Join . . . / DHGate.com; Dec. 7, 2017 <https://www.dhgate.com/product/mini-hookah-glass-bongs-sidecar-designsnowman/406309950.html#s1-5-1;disc13599369937>; 4 pages.
 420 Science "Kargo 2" Sidecar Bubbler / Smoke Cartel Dec. 8, 2017 <http://www.smokecartel.com/products/420-science-kargo-2-sidecar-bubbler>; 7 pages.
 China Sidecar rigs mini glass tobacco bubbler bong smoking matrix PERC water pipe oil . . . / Global Sources; Dec. 7, 2017 <http://www.globalsources.com/gsol/1/Bong/p/sm/1149651685.htm#1149651685>; 3 pages.
 11" Dual Honeycomb Elbow Sidecar Water Pipe / 4 Aces Wholesale; Dec. 7, 2017 <https://4aceswholesale.com/11-Dual-Honeycomb-Elbow-Sidecar-Water-Pipe>; 2 pages.
 New Mobius Matrix Sidecar Glass Bong Birdcage Perc Glass Pipe Thick Glass Smoking . . . / DHGate.com; Dec. 7, 2017 <https://www.dhgate.com/store/product/new-mobius-matrix-sidecar-glass-bongbirdcage/377298496.html>; 2 pages.
 Medium Stemless GoG Sidecar Water Pipe with Showerhead Perc—WP1041/ SPS Wholesale; Dec. 7, 2017 <https://spswholesale.com/medium-stemless-gog-sidecar-water-pipe-with-showerhead-percwp1041/>; 3 pages.
 Dab Bong with Matrix Perc-Sidecar Bubbler Rig / Hasmoke Online Headshop; Dec. 7, 2017 <https://www.hasmoke.com/Mobius-glass-pipe-with-matrix-perc-18-mm-joint-s157.html>; 5 pages.
 Goo Roo Designs Sidecar Rig / Uncle Ikes Glass & Goods; Dec. 7, 2017 <https://uncleikesglassandgoods.com/product/goo-roo-designs-sidecar-rig-2/>; 4 pages.

(56)

References Cited

OTHER PUBLICATIONS

Wicked Sands Sidecar Bubbler / Oz Bong; Dec. 7, 2017 <https://ozbongs.com.au/wicked-sands-sidecar-bubbler.html>; 2 pages.

7" Stemless + Honeycomb + Showerhead + Sidecar water pipe/ rig / 420 Glass City; Dec. 7, 2017 http://www.420glasscity.com/7-STEMLESS-HONEYCOMB-SHOWERHEAD-SIDECAR-waterpipe-rig_p_300.html; 3 pages.

Upgraded Mobius Matrix sidecar oil rigs glass bong water pipes birdcage perc 9" inches g . . . / One Smoker; Dec. 7, 2017 <http://www.funny-smoke.com/bongs-water-pipes/upgraded-mobius-matrix-sidecar-oil-rigsglass-bongs-water-pipes-birdcage-perc-9inches-glass-smoking-pipes-ash-catcher-19mmp48337.html>; 2 pages.

Honeycomb to Turbine Sidecar Dab Rig / CloudCulture; Dec. 7, 2017 <http://cloudculturestore.com/products/honeycomb-to-turbine-perc-bent-neck-bubblerrig?variant=12146112134>; 6 pages.

10" Tall Gilded Glass Pink Slyme Concentrate Water Pipe w/ Shower-Head to Vortex Perc / Headshop Hub; Dec. 7, 2017 <https://headshophub.com/10-tall-gilded-glass-pink-slyme-concentrate-water-pipe-w-showerhead-to-vortex-perc>; 3 pages

Sidecar Rigs Sprinkler Perc Bong Glass Bong Glass Smoking Pipe Perc Flow Bong Da . . . / DHGate Alpine Glass; Dec. 7, 2017 <https://www.dhgate.com/store/product/sidecar-rigs-sprinkler-perc-bongs-glassbongs/391352990.html>; 2 pages.

Wicked Sands Glass Honeycomb Sidecar Hash Bubbler #bongs #wicksands #vapor #ha . . . / Aqua Lab; Dec. 7, 2017 <https://www.pinterest.com/pin/107242034852412438/>; 3 pages.

Wizardtooth Glass—Sidecar / Flameworked; Dec. 7, 2017 <https://www.flameworked.com/product/wizardtooth-glass-sidecar/>; 3 pages.

Borodirect Sandblasted Stemline Perc Rig with Sidecar Mouthpiece / Cloud Chasers; Dec. 8, 2017 <https://www.cloudchasers.com/products/borodirect-sandblasted-stemline-perc-rig-with-sidecarmouthpiece>; 7 pages.

Purr 14mm Concentrate Full Sidecar Honeycomb—Clear / Windship Trading; Dec. 8, 2017 <http://www.windshiptrading.com/sale-purr-14mm-concentrate-full-sidecar-honeycomb-clear/>; 3 pages.

Sidecar Water Pipe—T Perc to Turbine Perc / BadAssGlass.com—YouTube; Dec. 8, 2017 <https://www.youtube.com/watch?v=kUIBBhikgzQ>; 2 pages.

Hitman Glass E-nail Sidecar Rig / HellaWicked Inc.; Dec. 8, 2017 <https://www.hellawicked.com/hitman-glass-e-nail-sidecar-rig>; 2 pages.

Empire Glassworks Hootie Owl Vapor Bong / Grasscity 2017; Dec. 11 https://www.grasscity.com/us_en/empire-glassworks-hootie-owl-vapor-bong.html; 6 pages.

2018 Glass Oil Rigs with 4mm Quartz Banger Nail Thick Glass Bong Male Joint 14.5mm Bubbler Dab Rig; Dec. 11, 2017 <https://www.dhgate.com/product/toro-glass-oil-rigs-with-4mm-quartzbanger/384573278.html#s1-0-1b;srpl0418288305>; 3 pages.

JM Flow Sidecar rigs Sprinkler perc bong glass bong glass smoking pipe perc flow bong dab oil rig tornado perc water pipes percolator; Dec. 11, 2017 <https://www.dhgate.com/store/product/2016-new-sprinkler-perc-bongs-glassbongs/386444370.html>; 2 pages.

AEON Glass by Jhanpixel / p. 18/ FC Vaporizer Review Form, FuckCombustion; Dec. 11, 2017 <http://fuckcombustion.com/threads/aeon-glass-by-jhanpixel.7673/page-18>, 19 pages.

Clear 14mm Mini Sidecar Dab Rig/Wicked Sands Glass/Glass & Other Smoking Device . . . ; Explore Sand Glass, Dab Rig, and More!; Dec. 11, 2017 <https://www.pinterest.com/pin/686728643149634849/>; 6 pages.

China Tall Mobius Matrix Sidecar Glass Bong from Jinhua Manufacturer: Yiwu Hao Ke Smoking Supplies Co., Ltd.; Dec. 11, 2017 <http://smokingdogo.manufacturer.globalsources.com/si/6008851944093/pdt1/Bong/1146785450/Tall-Mobius-Matrix-sidecar-glass-bong.htm>; 3 pages.

WP-0174 6" Stemless + Barrel Showerhead + Sidecar Water Pipe/ rig; Dec. 11, 2017 https://www.usglobalimports.com/product_p/wp-0174.htm; 5 pages.

Cobalt Sprinkler Dab Rig; Dec. 11, 2017 <https://cloudculturestore.com/products/cobalt-sprinkler-vapor-rig>; 6 pages.

Crystal Ball to Pillar Perc Sidecar Bong—Toker Supply; Dec. 11, 2017 <https://www.tokersupply.com/products/crystal-ball-to-pillar-perc-sidecar-bong>, 3 pages.

Crystal Ball to Pillar Perc Sidecar Bong—Stash Lab Technologies; Dec. 11, 2017 <https://www.stashlabtechnologies.com/products/dankstop-crystal-ball-to-pillar-perc-sidecarbong>; 5 pages.

Totem Ice; “How to make a pipe out of ice [Part 2 of 2]”; Published Feb. 27, 2010; Youtube; <<https://www.youtube.com/watch?v=OTOC68rt7K8>>. (Year: 2010), 3 pages.

<https://www.hippiebutler.com/product/glass-spoon-pipe/>; Dec. 19, 2017; <https://www.hippiebutler.com/product/glass-spoon-pipe/>; 2 pages.

pip; Dec. 19, 2017; <https://www.kings-pipe.com/yellow-techno-glass-spoon-pipe-p/pipe-134.htm>; 3 pages.

glass-spoon-pipe-green-glass-wi; Dec. 19, 2017; https://www.grasscity.com/us_en/glass-spoon-pipe-green-glass-with-switchbacks-on-bowl.html; 6 pages.

g-spot-glass-spoon-pipe-red-fr; Dec. 19, 2017; https://www.grasscity.com/int_en/g-spot-glass-spoon-pipe-red-frit-with-blue-stripe.html; 6 pages.

red-eye-spoon-pi; Dec. 19, 2017; https://azarius.net/headshop/pipes/glass_pipes/red-eye-spoon-pipe/; 7 pages.

glasscity-clear-glass-spoon-pip; Dec. 19, 2017; https://www.grasscity.com/us_en/glasscity-clear-glass-spoon-pipe-with-cane-swirl-3-inch.html; 6 pages.

pipe-206; Dec. 19, 2017; <https://www.kings-pipe.com/grav-jane-west-spoon-p/pipe-206.htm>; 6 pages.

pipe-206; Dec. 19, 2017; https://www.grasscity.com/us_en/glassheads-inside-out-spoon-pipe-usa.html; 6 pages.

pipe-; Dec. 19, 2017; <https://www.kings-pipe.com/amg-blue-lv-spoon-glass-pipe-p/pipe-127.htm>; 4 pages.

<https://skyhighsmokeshop.com/product/vengeance-spoon-pipe/>; Dec. 19, 2017; <https://skyhighsmokeshop.com/product/vengeance-spoon-pipe/>; 2 pages.

best-spoon-pipes-reviewed; Dec. 19, 2017; <https://collegeofcannabis.com/reviews/best-spoon-pipes-reviewed/>; 4 pages.

glassheads-rainbow-ripper-spoon; Dec. 19, 2017; https://www.grasscity.com/us_en/glassheads-rainbow-ripper-spoon-pipe-with-marble-head.html; 6 pages.

<http://www.glassnation.com/product/eyce-silicone-pipe/>; Dec. 19, 2017; <http://www.glassnation.com/product/eyce-silicone-pipe/>; 4 pages.

glass-spoon-pipe-sandbla; Dec. 19, 2017; <https://www.etsy.com/listing/165903284/glass-spoon-pipe-sandblasted-spoon>; 3 pages.

2015-new-spoon-pipe-glass-handy-; Dec. 19, 2017; <https://www.dhgate.com/product/2015-new-spoon-pipe-glass-handy-pipe-glass/240336898.html>; 3 pages.

<http://vapesterdam.com/blog/glass-spoon-pipes-basics/>; Dec. 19, 2017; <http://vapesterdam.com/blog/glass-spoon-pipes-basics/>; 4 pages.

pipe-1; Dec. 19, 2017; <https://www.kings-pipe.com/red-techno-glass-spoon-pipe-p/pipe-133.htm>; 3 pages.

pipe-124; Dec. 19, 2017; <https://www.kings-pipe.com/purr-green-spoon-pipe-p/pipe-124.htm>; 4 pages.

<http://nmmj.com/5002/bongs/glass-spoon-pipe/>; Dec. 19, 2017; <http://nmmj.com/5002/bongs/glass-spoon-pipe/>; 2 pages.

glass-spoons-pipes; Dec. 19, 2017; <https://www.everyonedoesit.com/collections/glass-spoons-pipes>; 19 pages.

spoon-pipe; Dec. 19, 2017; <http://www.bluemaize.net/appliances/spoon-pipe>; 2 pages.

<https://www.pinterest.com/explore/spoon-pipe/>; Dec. 19, 2017; <https://www.pinterest.com/explore/spoon-pipe/>; 5 pages.

unique-glass-pipes-gray-labs-; Dec. 19, 2017; <https://www.421store.com/products/unique-glass-pipes-grav-labs-pipe>; 3 pages.

color-explosion-big-spo; Dec. 19, 2017; <https://www.water-bongs-glass-pipes.com/color-explosion-big-spoon-pipe/d-37046/>; 6 pages.

spoon_pipes; Dec. 19, 2017; https://www.etsy.com/market/spoon_pipes; 32 pages.

<http://www.formax420.com/shop/formax420-glass-spoon-pipe-2/>; Dec. 19, 2017; <http://www.formax420.com/shop/formax420-glass-spoon-pipe-2/>; 4 pages.

laticello-bulb-glass-spoon-pipe; Dec. 19, 2017; <https://www.smokingoutlet.net/laticello-bulb-glass-spoon-pipe>; 6 pages.

colorful-glass-spoon-pipe-hookah; Dec. 19, 2017; <https://www.dhgate.com/product/colorful-glass-spoon-pipe-hookahs-long-glass/385608315.html>; 4 pages.

glass_spoon_pipe; Dec. 19, 2017; https://www.etsy.com/market/glass_spoon_pipe; 69 pages.

(56)

References Cited

OTHER PUBLICATIONS

Glass-Spoon-Pipe-Green-Honeycomb; Dec. 19, 2017; <http://www.cheappipesbongs.com/Glass-Spoon-Pipe-Green-Honeycomb-with-Handle-p346035.html>; 7 pages.

big-spoon-pipe-octopus-starfish; Dec. 19, 2017; <https://www.bongin.com/big-spoon-pipe-octopus-starfish/>; 3 pages.

<http://www.smoknfly.com/product/meteor-holes-glass-spoon-pipe/>; 3 pages.

spoon-pipe-vs-sherlock-pipe-supe; author staff writer; Dec. 19, 2017; <https://magazine.grasscity.com/spoon-pipe-vs-sherlock-pipe-superior-smoking-device-3734/>; 9 pages.

12; Dec. 19, 2017; <https://www.funkypiece.com/Grav-Labs-Aqua-Green-Spoon-Pipe-p/1208.htm>; 8 pages.

glass-spoon-pipes; Dec. 19, 2017; <https://www.badassglass.com/glass-spoon-pipes.html>; 16 pages.

liberty-503-glass-gear-sandbl; Dec. 19, 2017; <https://www.wickiepipes.com/pipes/liberty-503-glass-gear-sandblsted-fumed-spoon-pipe/>; 4 pages.

pipe-140; Dec. 19, 2017; <https://www.kings-pipe.com/mav-pink-glass-spoon-pipe-p/pipe-140.htm>; 4 pages.

glass-spoon-pipe-roll-stopper-carb; Dec. 19, 2017; <https://shadedco.com/product/glass-spoon-pipe-roll-stopper-carb-hole/>; 4 pages.

new-smoking-glass-pipes-new-desi; Dec. 19, 2017; <https://www.dhgate.com/product/new-smoking-glass-pipes-new-design-picture/256081886.html>; 4 pages.

eyce-silicone-spoon-pipe_variant=35; Dec. 19, 2017; <https://smokea.com/products/eyce-silicone-spoon-pipe?variant=35536508865>; 8 pages.

<http://sunflowerpipes.com/product/saturn-raver-glass-pipe/>; 4 pages.

Grav-Labs-Clear-Blue-Glass-Spoon-Pip; Dec. 19, 2017; <https://www.funkypiece.com/Grav-Labs-Clear-Blue-Glass-Spoon-Pipe-p/1217.htm>; 8 pages.

Glass_Pipes-Swirl_Spoon_Pipes; Dec. 19, 2017; http://www.gogowholesale.com/Glass_Pipes-Swirl_Spoon_Pipes.html; 2 pages.

heady-spoon-pipe-flower-hand-pip; Dec. 19, 2017; <https://www.dhgate.com/product/heady-spoon-pipe-flower-hand-pipes-for-smoking/397847829.html>; 4 pages.

<https://www.smoknfly.com/product/5-5-green-hand-pipe/> (2); Dec. 19, 2017; <https://www.smoknfly.com/product/5-5-green-hand-pipe/>; 4 pages.

color-changing-spoon-pipe-paris; Dec. 19, 2017; <https://www.smoketower.ca/store/color-changing-spoon-pipe-paris-hilton>; 10 pages.

pipe-125; Dec. 19, 2017; <https://www.kings-pipe.com/purr-blue-spoon-pipe-p/pipe-125.htm>; 4 pages.

<http://smokesy.com/reviews/best-spoon-pipe-of-2016/>; 20 pages.

<http://stuffforstoners.com/icy-penguins-glass-spoon-pipe/>; 11 pages.

black-pokemon-go-mystic-4inch-spoon-pipe-on; Dec. 19, 2017; <http://chicpipe.com/black-pokemon-go-mystic-4inch-spoon-pipe-online-for-sale-p529711.html>; 3 pages.

Purr Glass Honeycomb Sidecar Dab Rig / KINGS'S Pipe Online Headshop; Dec. 7, 2017 <https://www.kings-pipe.com/purr-honeycomb-sidecar-dab-rig-p/wp-325.htm>; 5 pages.

Dankstop—Honeycomb to Turbine Perc Sidecar Water Pipe/ Dr. Piece; Dec. 7, 2017 <http://piecedr.com/shop/dab-rigs-and-oil-rigs/dankstop-honeycomb-to-turbine-perc-sidecarwater-pipe/>; 2 pages.

Pink Turbine + Sidecar + Stemless + Black Rim water pipe rig /420 Glass City; Dec. 7, 2017 http://www.420glasscity.com/PINK-TURBINE-SIDECAR-STEMLESS-BLACK-RIM-water-piperigp_224.html; 3 pages.

2018 Hot Sell Sidecar Glass Bong Water Pipe Smoking Pipe Water Pipe Bongs With Fritt . . . / DHGate.com; Dec. 7, 2017 <https://www.dhgate.com/product/hot-sell-glass-bong-glass-smoking-pipe-with/205698028.html>; 3 pages.

AMG Red Eye Design Showerhead Sidecar Oil Rig for sale / KING's Pipe; Dec. 7, 2017 <https://www.kings-pipe.com/AMG-red-eye-showerhead-sidecar-oil-rig-p/wp-196.htm>; 6 pages.

Glass SideCar WP1895 Water Pipes / GogoPipes.com; Dec. 7, 2017 <http://www.gogopipes.com/sidecar-water-pipes-wp1895.html>; 4 pages.

2018 22cm Tall Mobius Matrix Sidecar Glass Bubbler Pipe Bubbler Glass Bong Vase Per . . . / DHGate.com; Dec. 7, 2017 <https://www.dhgate.com/product/22cm-tall-mobius-matrix-sidecar-glassbubbler/385497852.html>; 3 pages.

Honeycomb to Tornado Perc Sidecar Glass Water Pipe / KING's Pipe Online Headshop; Dec. 7, 2017 <https://www.kings-pipe.com/honeycomb-tornado-sidecar-water-pipe-p/wp-242.htm>; 7 pages.

Wholesale Hookahs At \$22.92, Get 2015 New Mobius Matrix Sidecar Glass Bong Birdca . . . / DHGate.com; Dec. 8, 2017 <https://www.dhgate.com/product/2015-new-mobius-matrix-sidecar-glass-bong/264836611.html>; 4 pages.

* cited by examiner

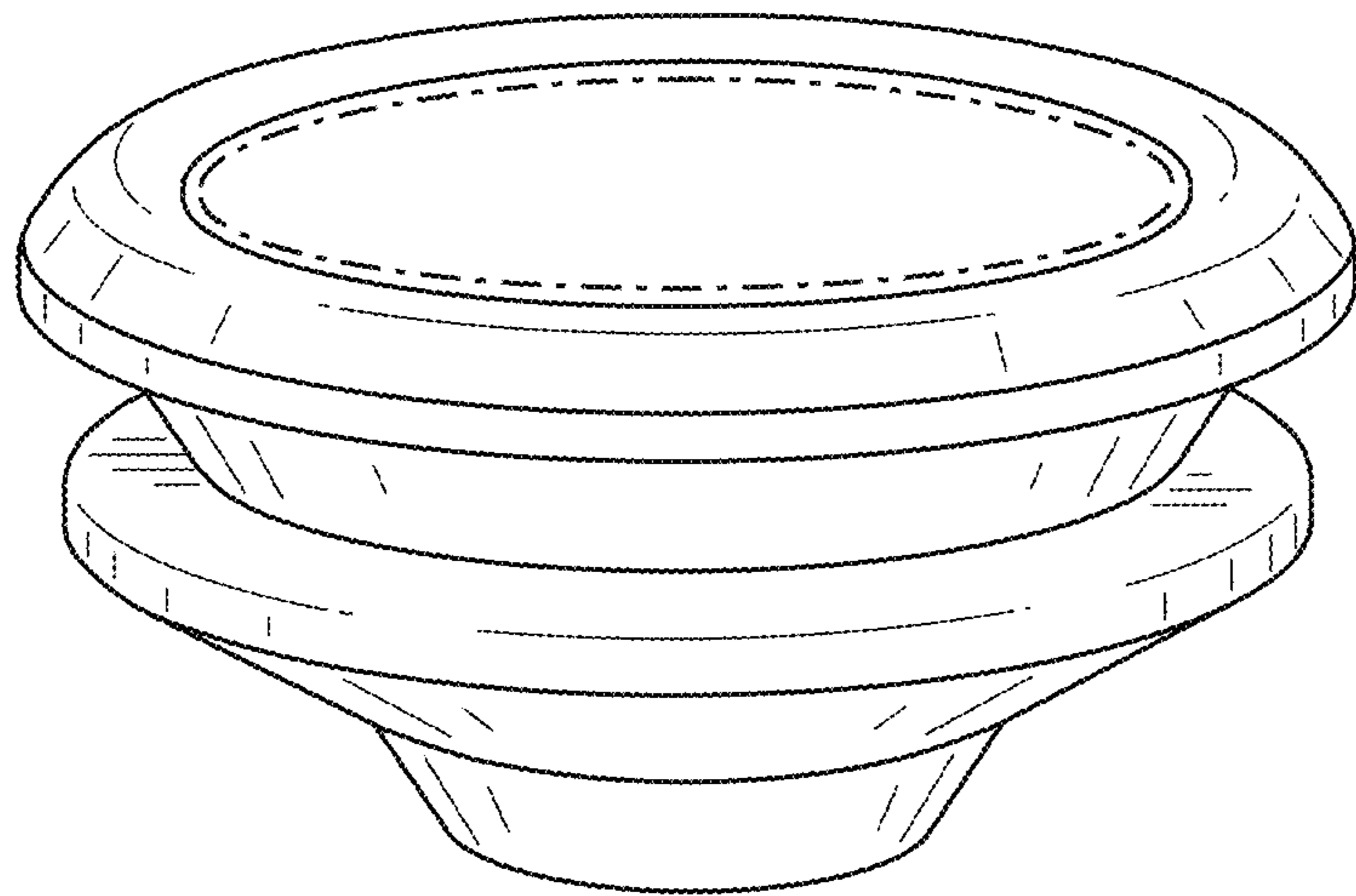


FIG. 1

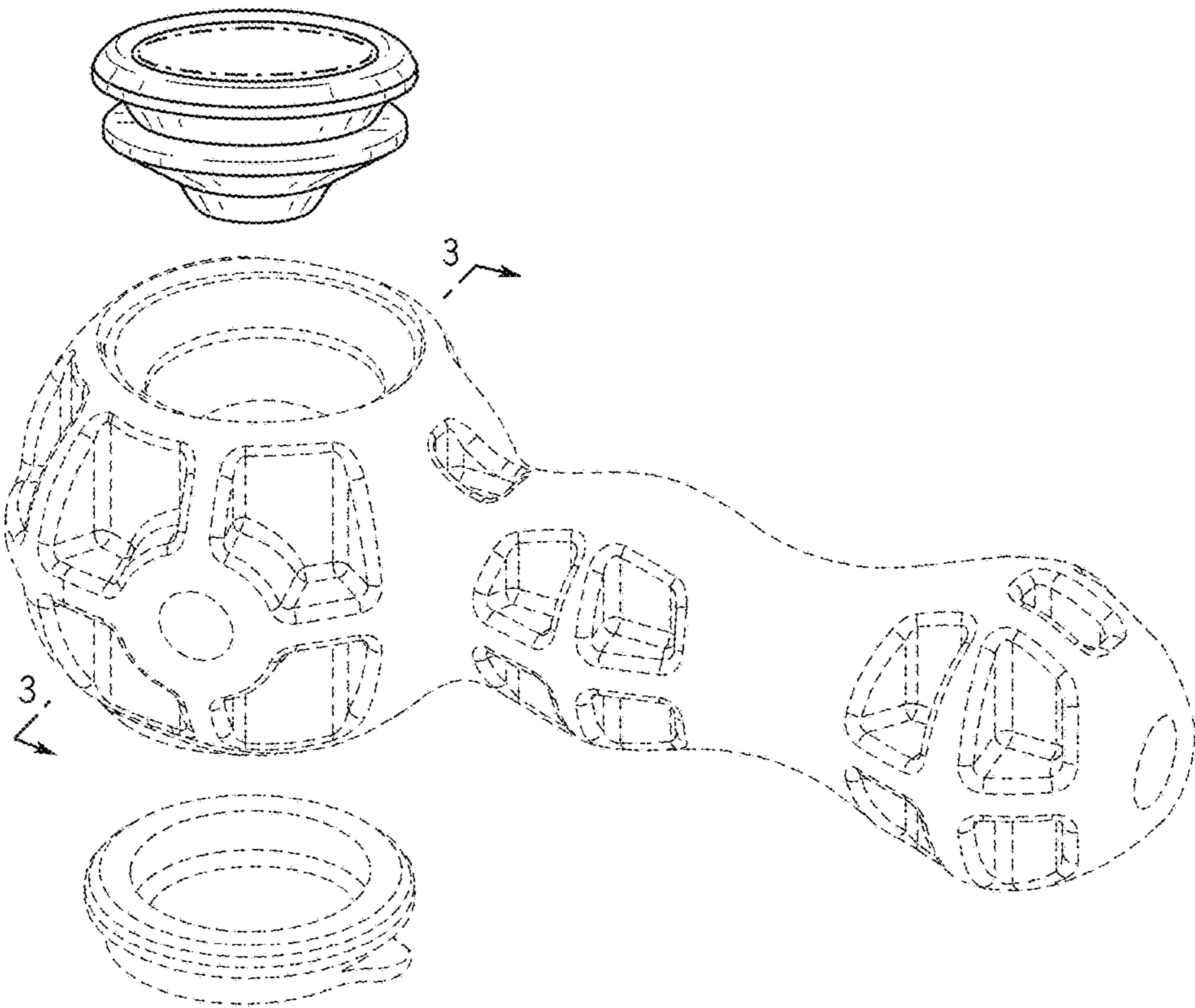


FIG. 2

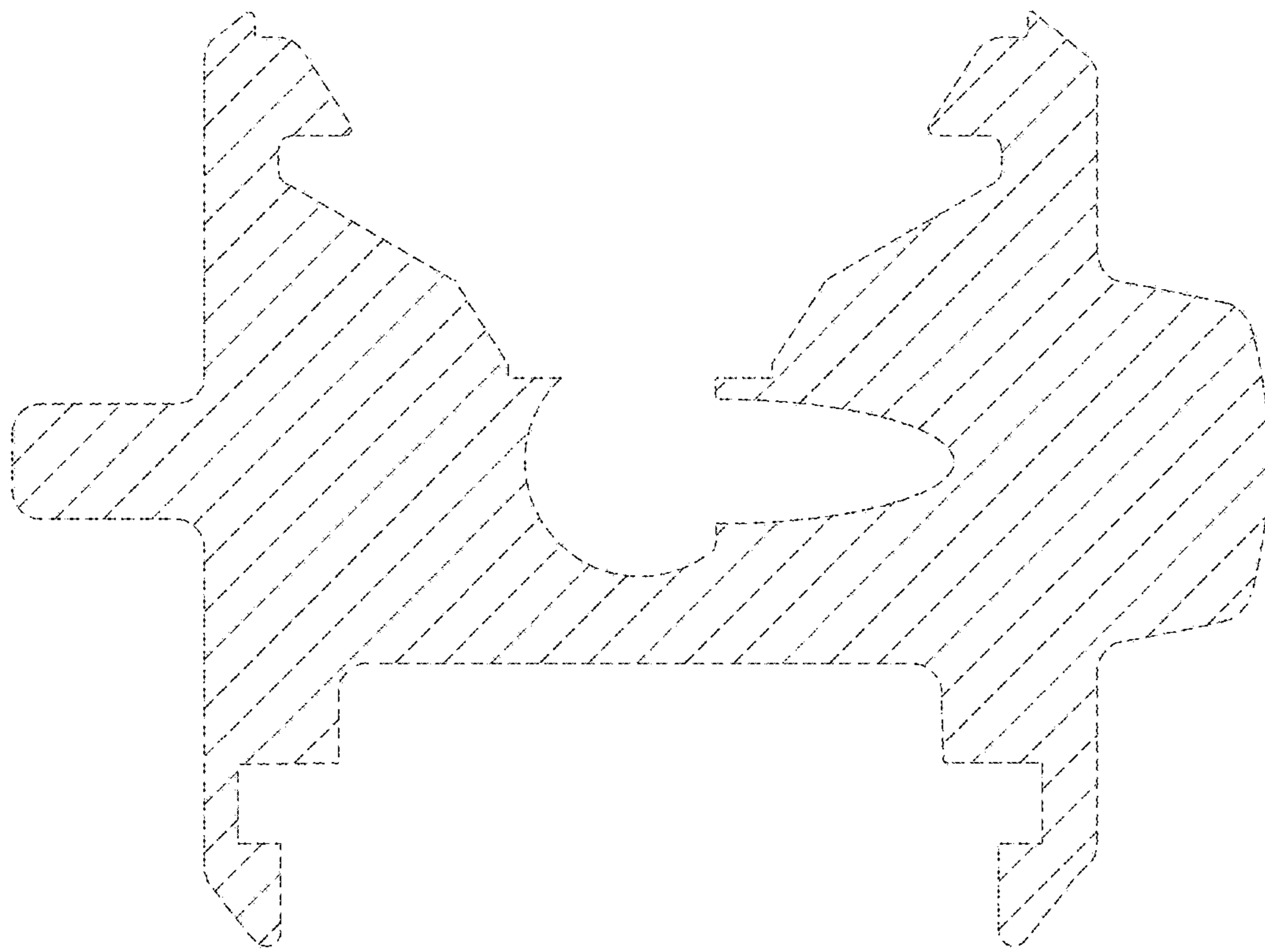


FIG. 3