



US00D872356S

(12) **United States Design Patent**
Pan

(10) **Patent No.:** **US D872,356 S**

(45) **Date of Patent:** **** Jan. 7, 2020**

(54) **LIGHTER**

(71) Applicant: **L.A. Lighter, Inc.**, City of Industry, CA (US)

(72) Inventor: **Phillip Pan**, City of Industry, CA (US)

(**) Term: **15 Years**

(21) Appl. No.: **29/649,660**

(22) Filed: **May 31, 2018**

(51) **LOC (12) Cl.** **27-05**

(52) **U.S. Cl.**
USPC **D27/159**

(58) **Field of Classification Search**
USPC D27/141, 159, 153, 158, 161, 139, 142,
D27/148; D23/211.1; 431/273, 274, 350,
431/351

CPC F23Q 2/00; F23Q 2/02; F23Q 2/16; F23Q
2/161; F23Q 2/162; F23Q 2/164; F23Q
2/167; F23Q 7/00; F23Q 7/14; F23Q
7/16; F23Q 7/24; F23Q 7/10

See application file for complete search history.

(56) **References Cited**

U.S. PATENT DOCUMENTS

- D376,302 S * 12/1996 Tsai D8/29.1
- 5,667,377 A * 9/1997 Lin F23D 14/28
126/406
- D444,912 S * 7/2001 Xie D27/157
- D465,978 S * 11/2002 Miyanaga D8/30
- D468,482 S * 1/2003 Lin D27/157
- D477,747 S * 7/2003 Hsu D7/416
- D538,969 S * 3/2007 Carlton D27/148
- D551,387 S * 9/2007 Smith D27/157

- D587,975 S * 3/2009 Aronson, II D15/144
- D667,993 S * 9/2012 Lin D27/139
- D667,994 S * 9/2012 Lin D27/139
- D820,331 S * 6/2018 Walters D15/144
- D844,405 S * 4/2019 Shen D8/29.1
- 2010/0261129 A1 * 10/2010 Lin F23D 14/28
431/344
- 2019/0093889 A1 * 3/2019 Ho F23Q 2/164
- 2019/0093890 A1 * 3/2019 Shen F23D 14/38

* cited by examiner

Primary Examiner — Susan Bennett Hattan

Assistant Examiner — Rebecca Tsehaye

(74) *Attorney, Agent, or Firm* — Tommy SF Wang; Wang IP Law Group, P.C.

(57) **CLAIM**

The ornamental design for a lighter, as shown and described.

DESCRIPTION

FIG. 1 is a perspective view of a lighter in a closed position showing my new design;

FIG. 2 is another perspective view thereof;

FIG. 3 is a front view thereof;

FIG. 4 is a rear view thereof;

FIG. 5 is a left side view thereof;

FIG. 6 is a right side view thereof;

FIG. 7 is a top view thereof;

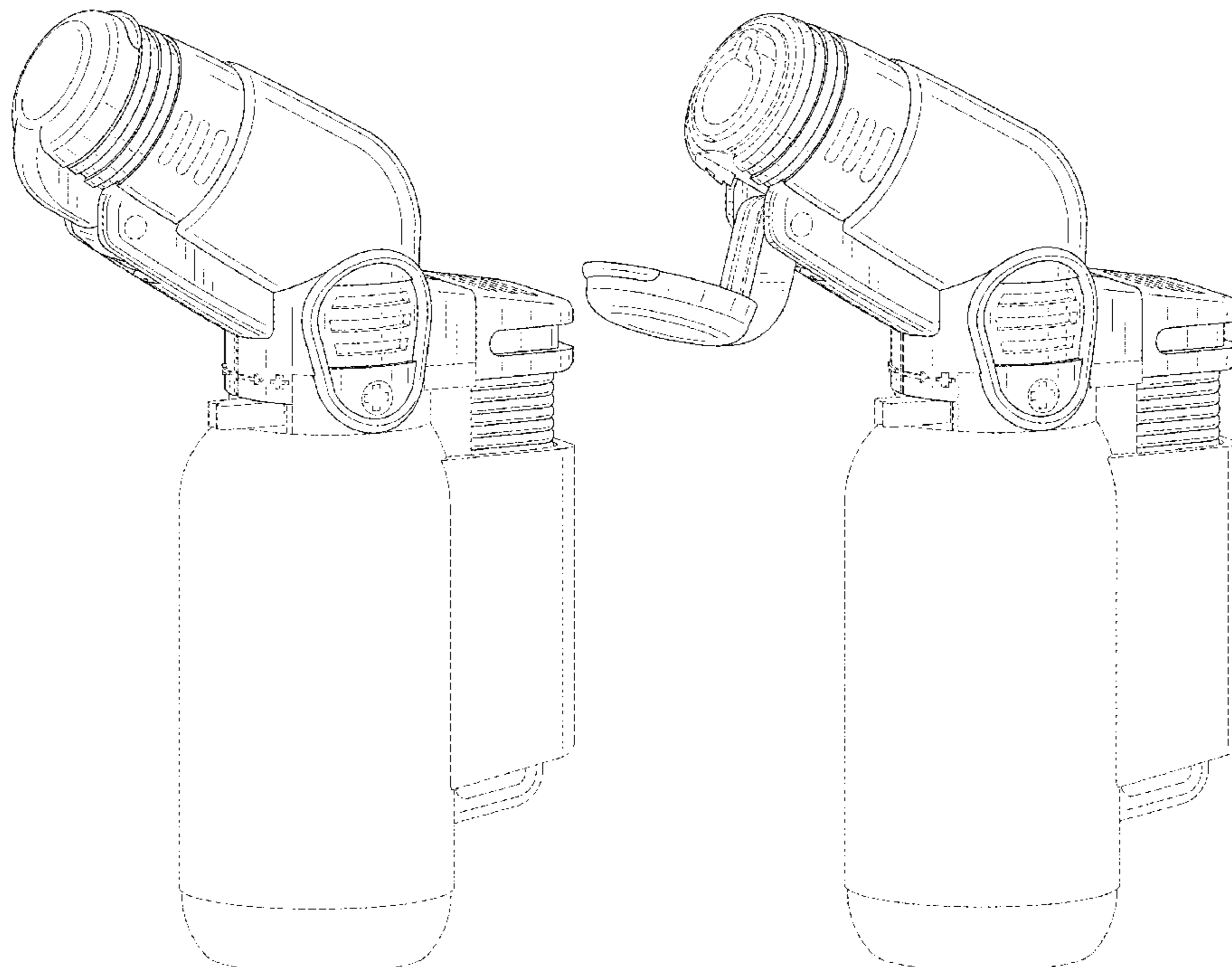
FIG. 8 is a bottom view thereof;

FIG. 9 is the other perspective view thereof in an opened position; and,

FIG. 10 is an enlarged view of an indicated portion of FIG. 6.

The broken lines in the drawings depict portions of the lighter and form no part of claimed design.

1 Claim, 9 Drawing Sheets



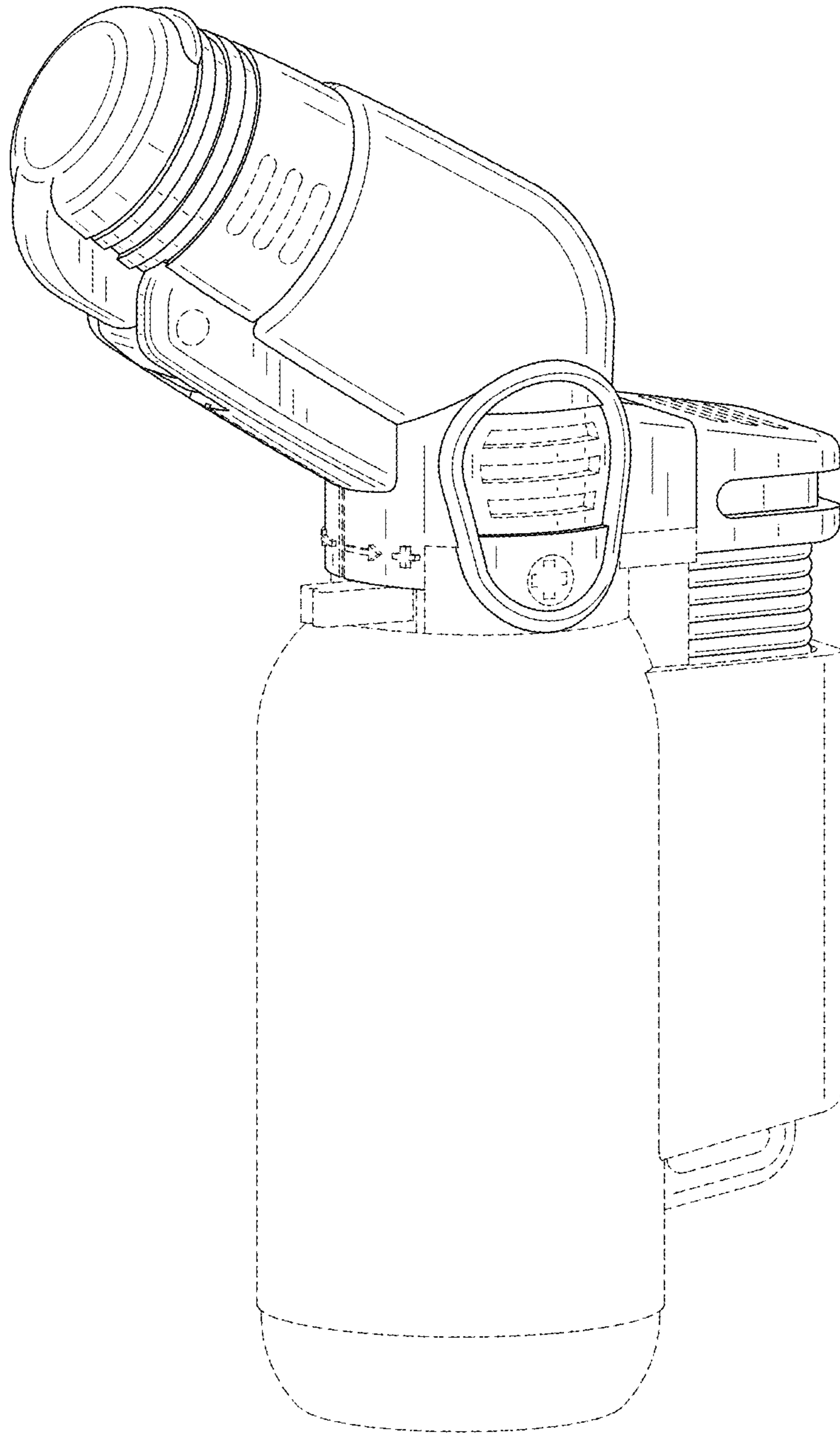


FIG. 1

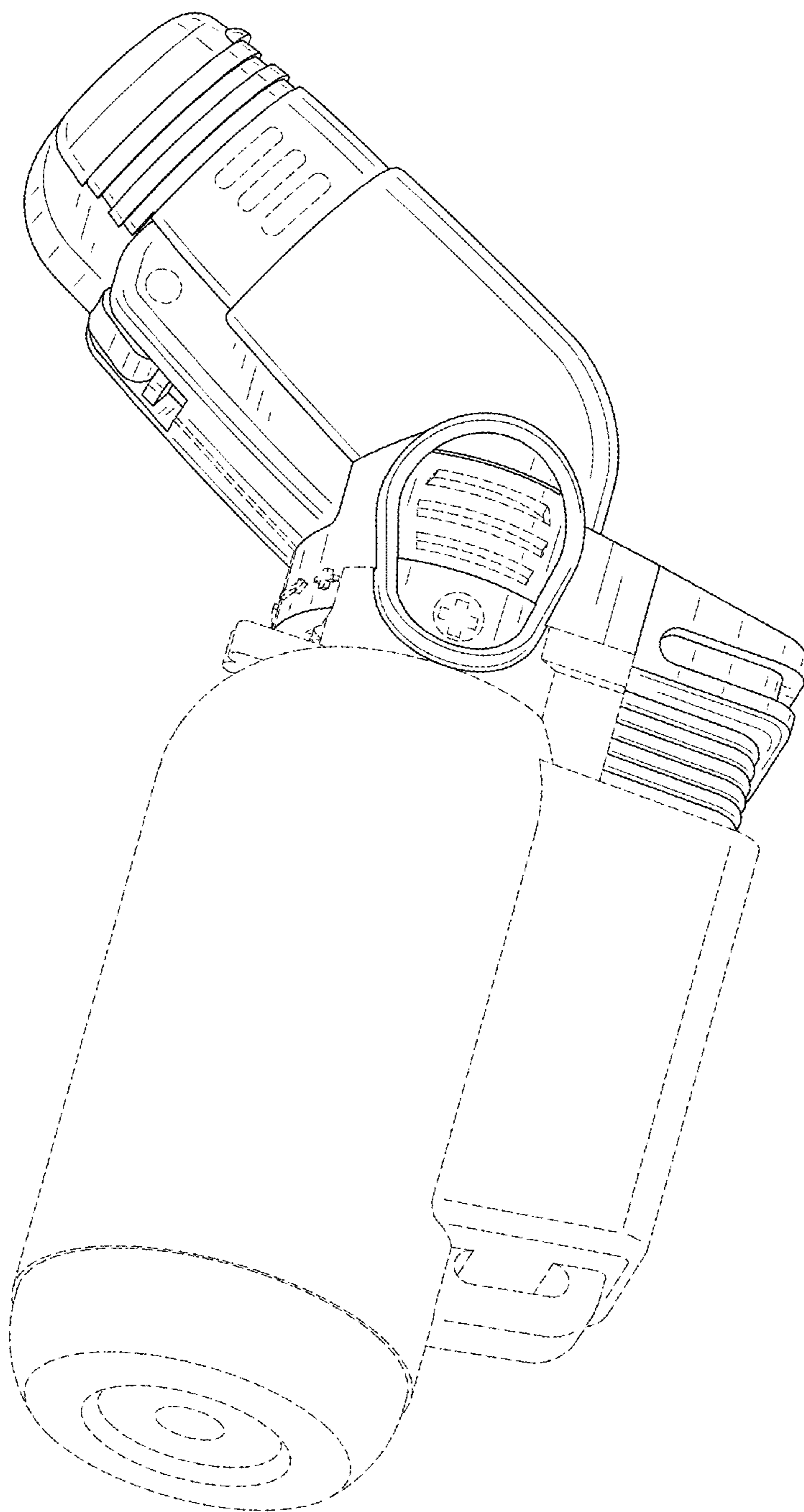


FIG. 2

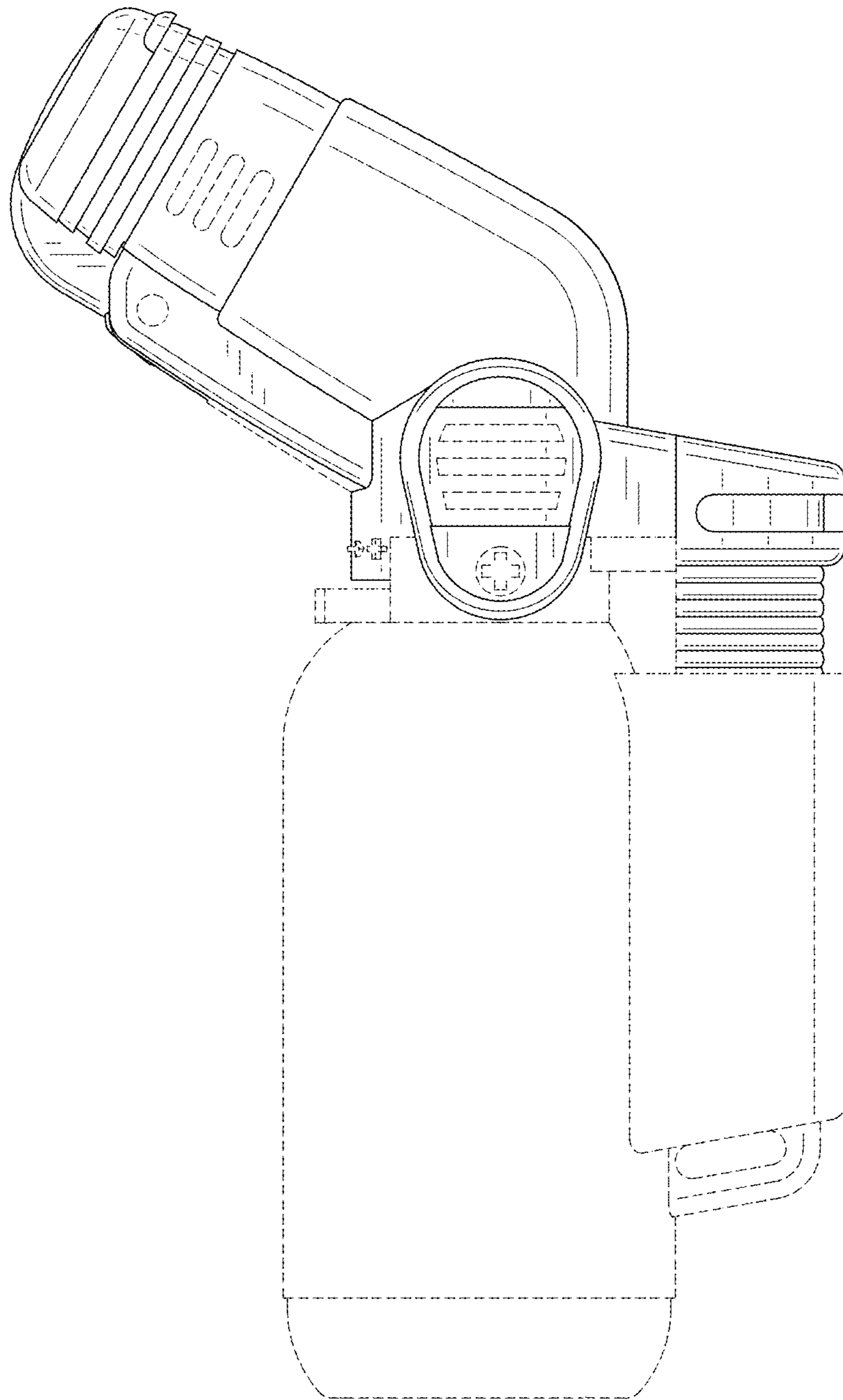


FIG. 3

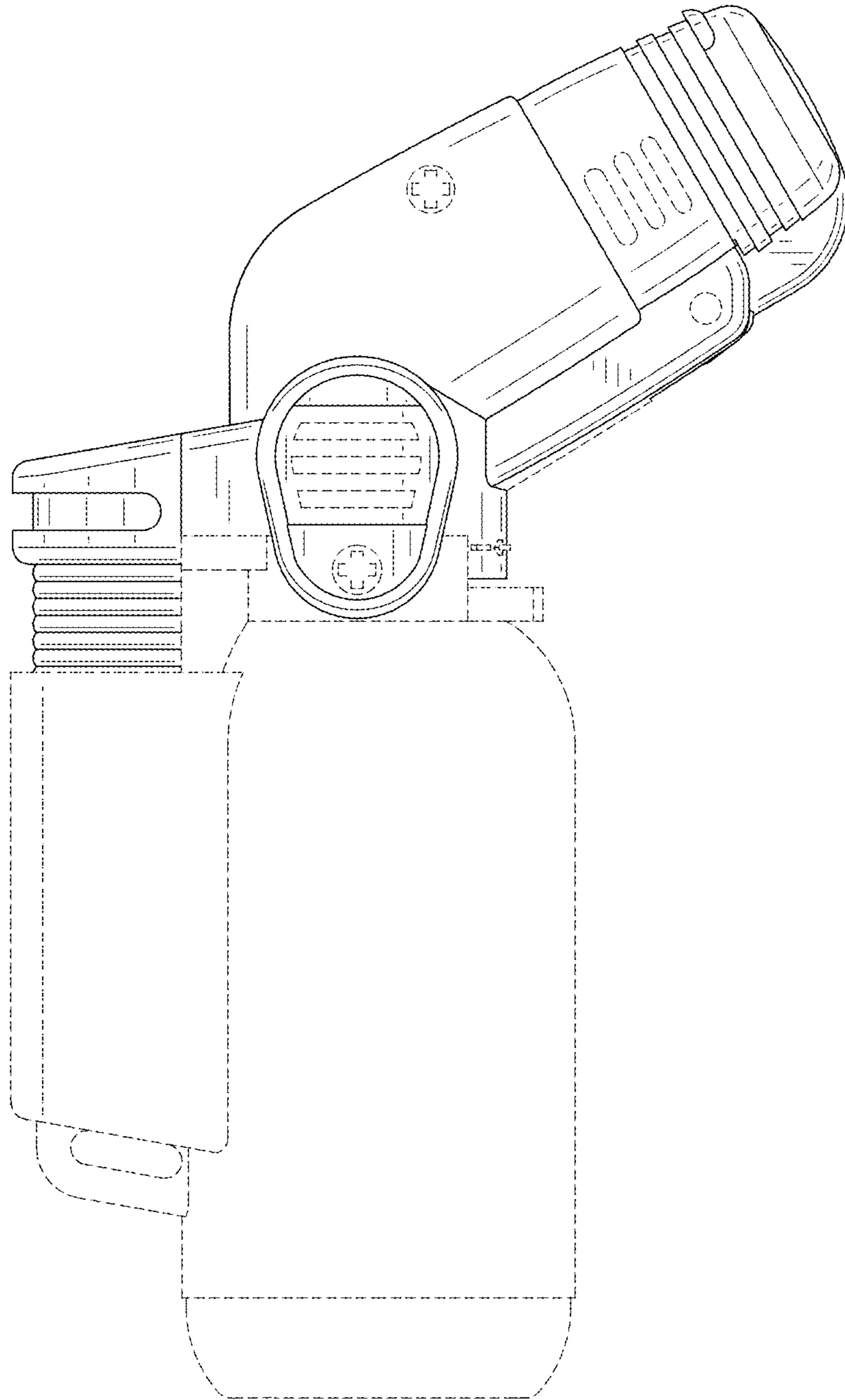


FIG. 4

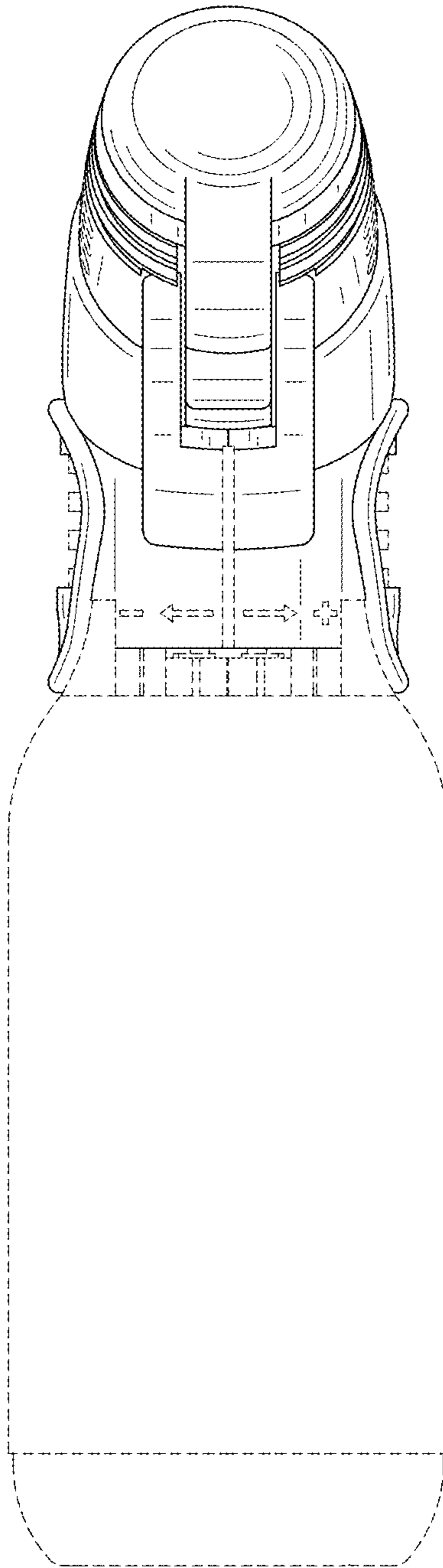


FIG. 5

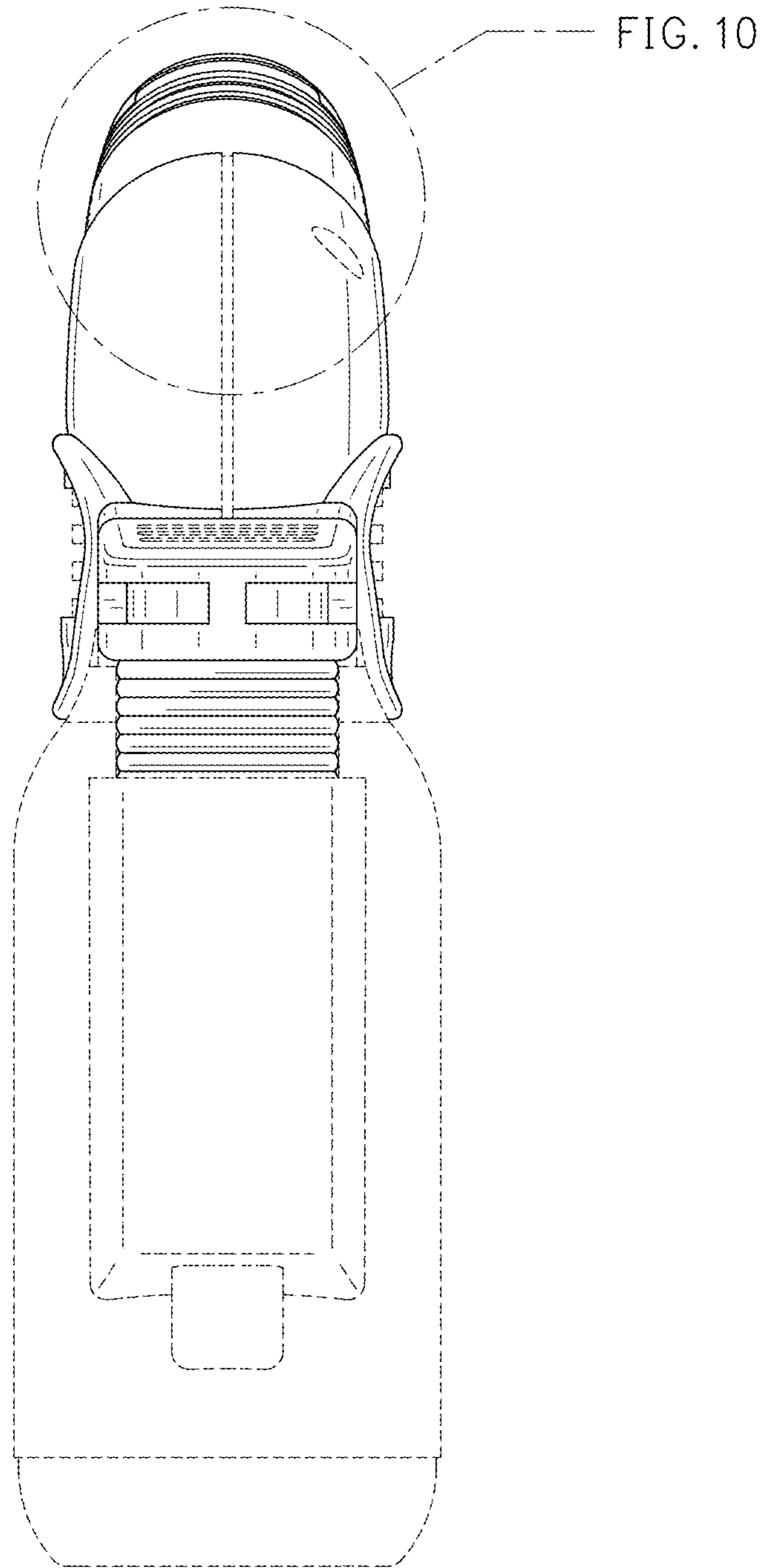


FIG. 6

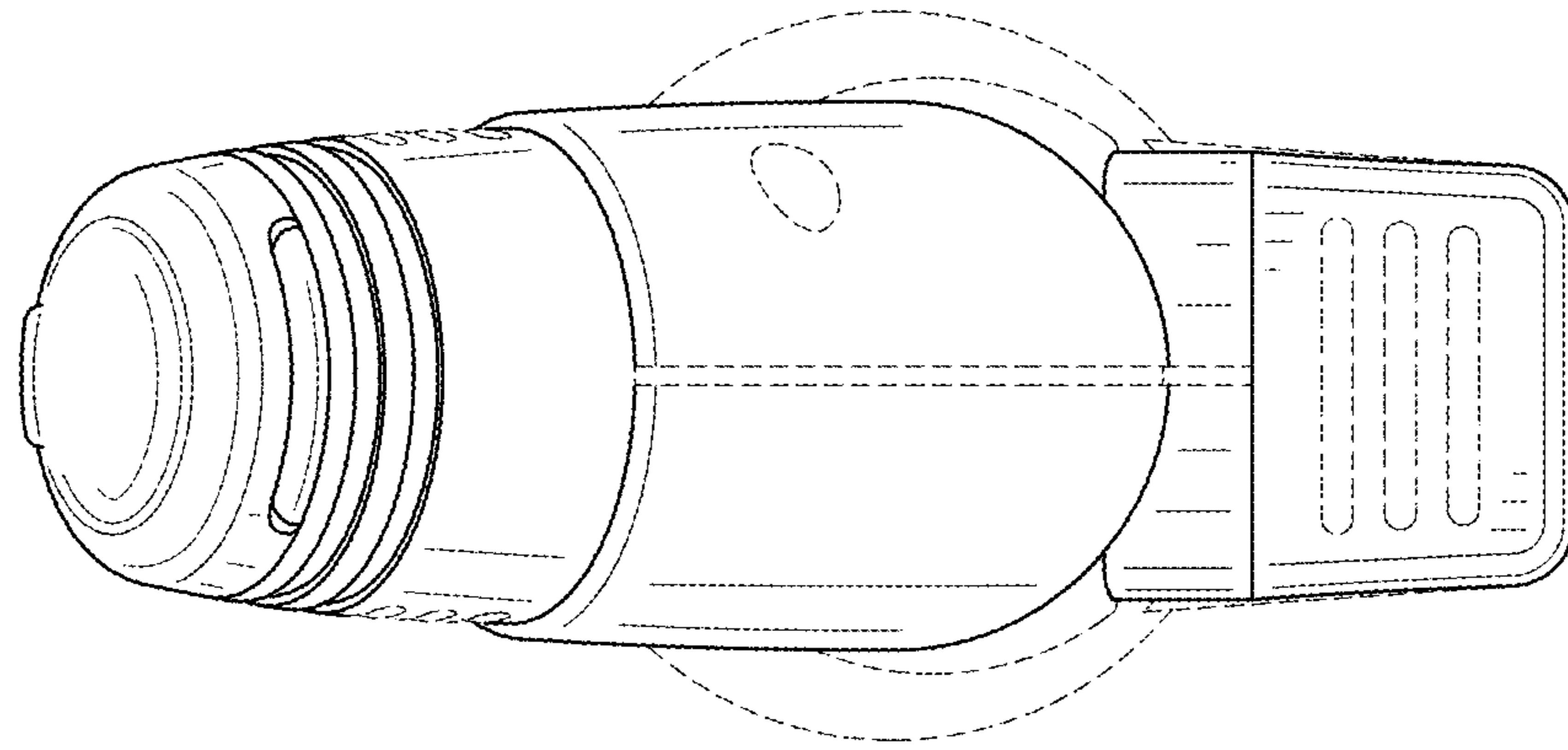


FIG. 7

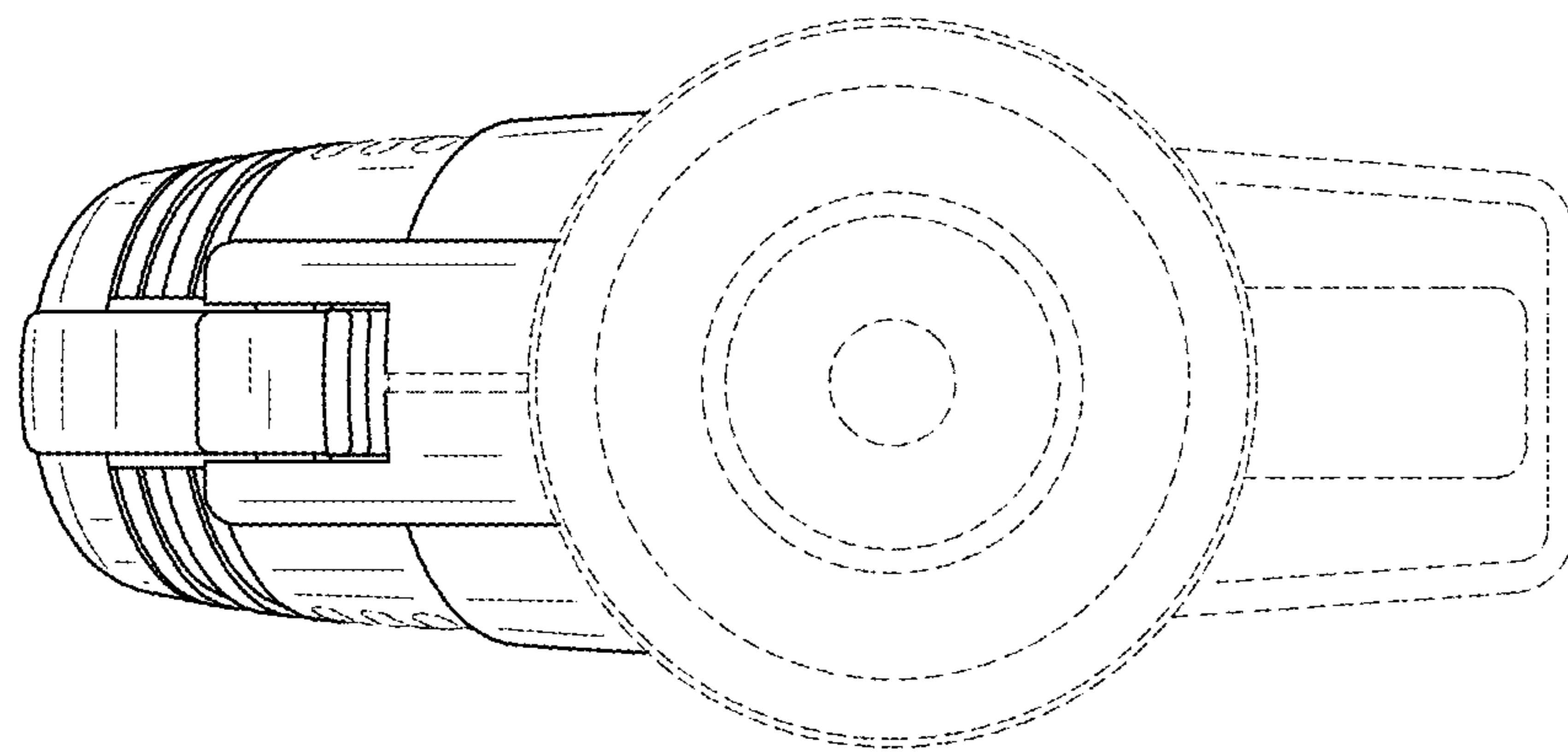


FIG. 8

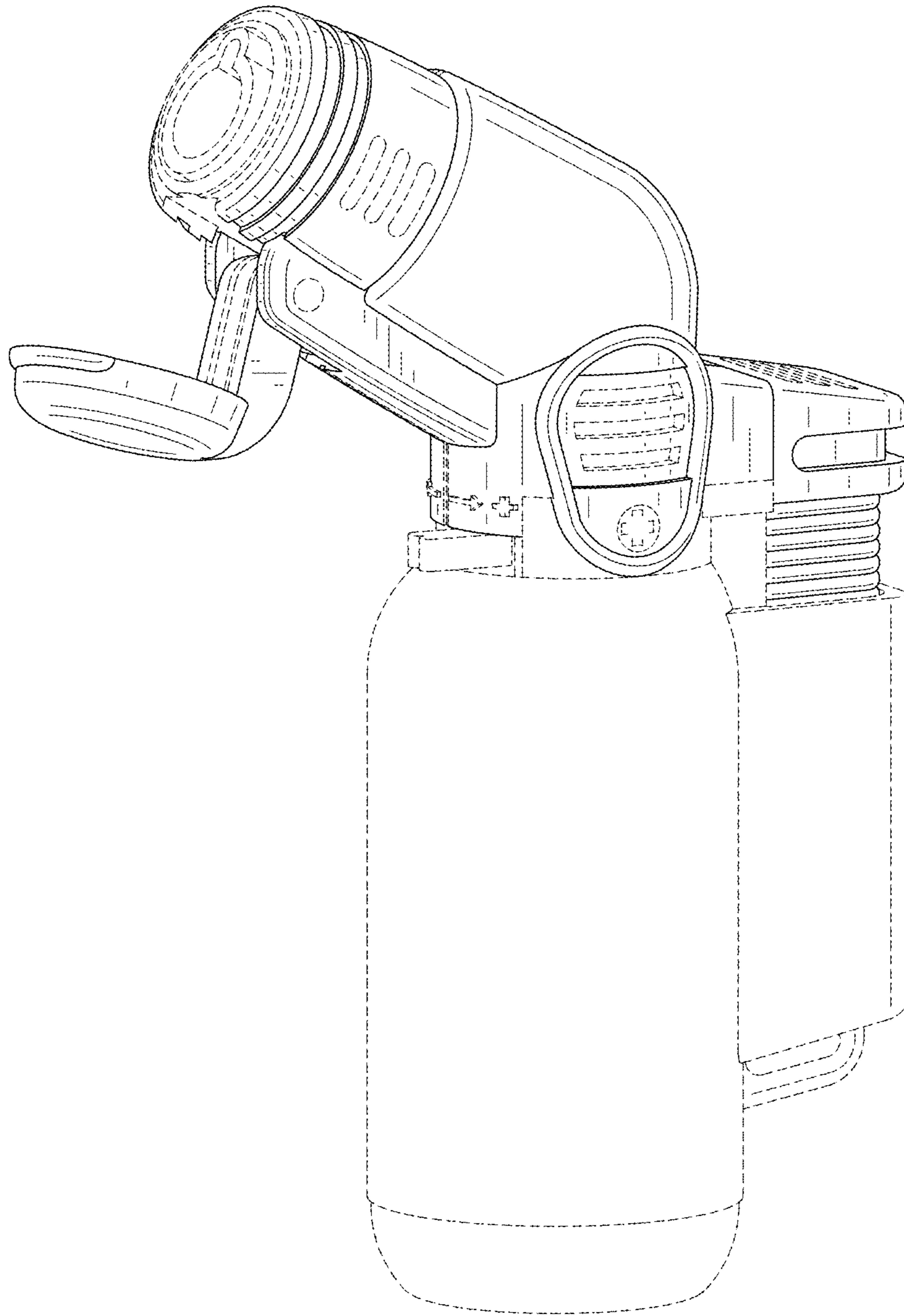


FIG. 9

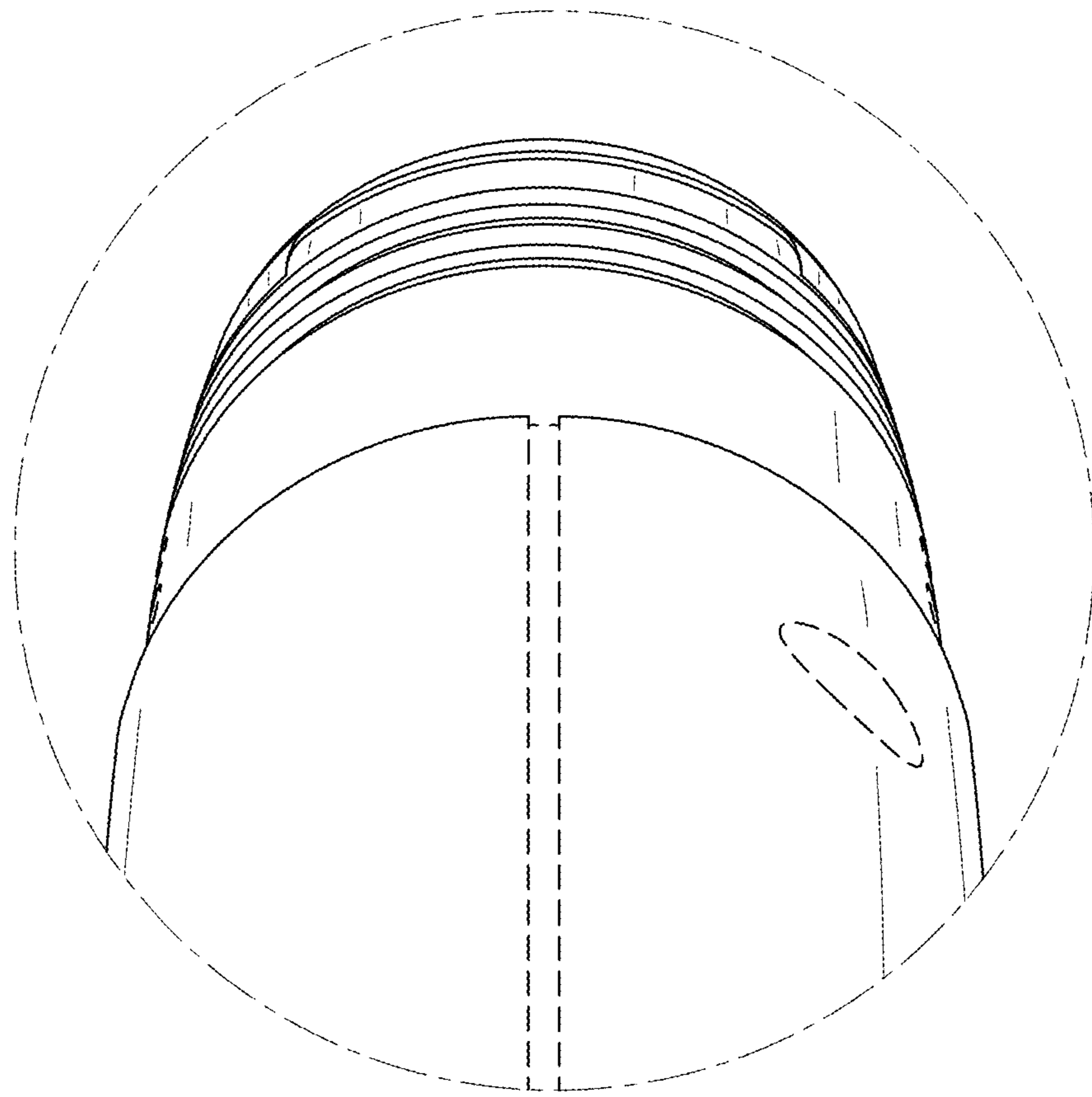


FIG. 10