



US00D872347S

(12) **United States Design Patent**
Probyn

(10) **Patent No.:** **US D872,347 S**
(45) **Date of Patent:** **** Jan. 7, 2020**

- (54) **LAMP**
- (71) Applicant: **Inter IKEA Systems B.V.**, LN Delft (NL)
- (72) Inventor: **Aaron Probyn**, London (GB)
- (**) Term: **15 Years**
- (21) Appl. No.: **29/671,899**
- (22) Filed: **Nov. 30, 2018**
- (30) **Foreign Application Priority Data**

D625,039	S	*	10/2010	Citterio	D26/93
D647,242	S	*	10/2011	Staples	D26/93
8,469,559	B2	*	6/2013	Williams	G02B 6/0033 362/296.05
D738,561	S	*	9/2015	Ellis	D26/110
D741,536	S	*	10/2015	Ellis	D26/110
D781,487	S	*	3/2017	Starck	D26/89
D788,972	S	*	6/2017	Araiza	D26/105
D790,108	S	*	6/2017	Starck	D26/93
D790,109	S	*	6/2017	Starck	D26/93
D790,748	S	*	6/2017	Starck	D26/93
9,736,899	B2	*	8/2017	Park	F21V 23/0435
D801,572	S	*	10/2017	Starck	D26/110
D803,462	S	*	11/2017	Couckhuyt	D26/93
D805,677	S	*	12/2017	Starck	D26/93
D808,063	S	*	1/2018	Starck	D26/110

(Continued)

Jun. 5, 2018 (EM) 005298098

- (51) **LOC (12) Cl.** **26-05**
- (52) **U.S. Cl.**
USPC **D26/106; D26/93**
- (58) **Field of Classification Search**
USPC D26/1, 24, 88, 93, 104, 105, 106, 107,
D26/108, 109, 110, 128; 362/352, 363,
362/395, 431
CPC F21S 6/00; F21S 6/002; F21S 6/004; F21S
6/007; F21S 8/00; F21S 8/04; F21S
8/024; F21S 8/026; F21S 8/031; F21S
8/033; F21S 8/035; F21S 8/036; F21S
8/037; F21S 8/043; F21S 8/063; F21S
4/00; F21S 4/003; F21V 21/02; F21V
15/02; F21V 29/00; F21V 29/506; F21W
2131/20; F21W 2131/40
See application file for complete search history.

(56) **References Cited**

U.S. PATENT DOCUMENTS

D326,734	S	*	6/1992	Rizzi	D26/112
D469,563	S	*	1/2003	Irvine	D26/108
D549,385	S	*	8/2007	Lissoni	D26/89
D580,090	S	*	11/2008	Kubler	D26/105
D606,236	S	*	12/2009	Sabernig	D26/93

Primary Examiner — Wan Laymon
Assistant Examiner — Clint A Samuel

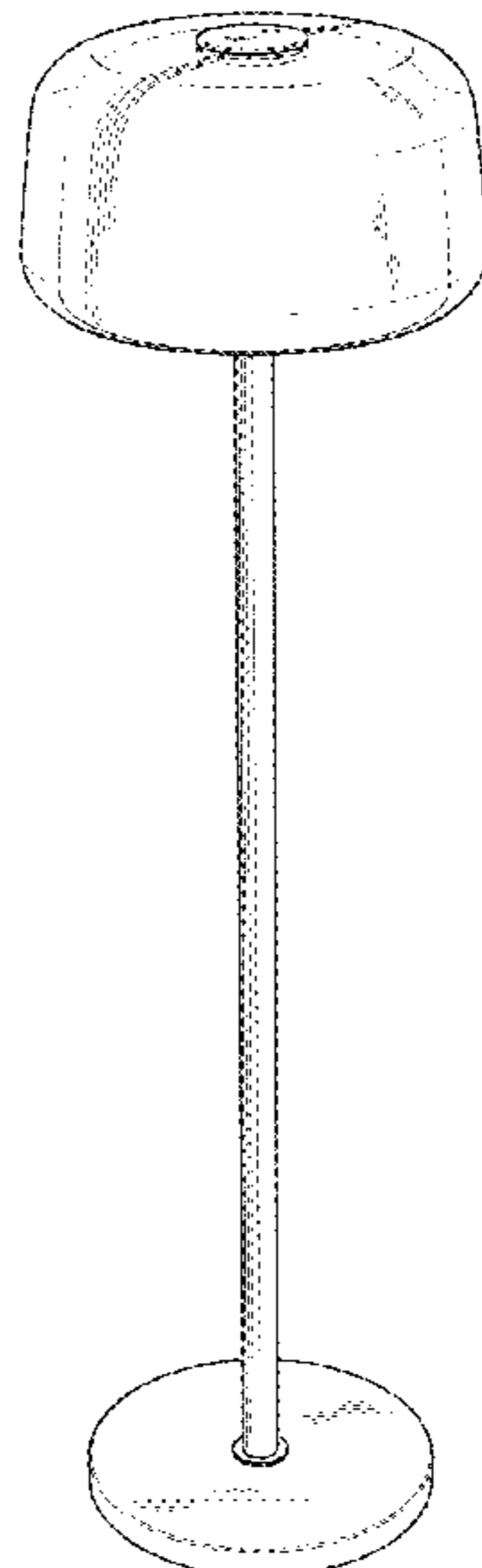
(57) **CLAIM**

The ornamental design for a lamp, as shown and described.

DESCRIPTION

FIG. 1 is a perspective view of a lamp showing my new design;
 FIG. 2 is a front view thereof;
 FIG. 3 is a rear view thereof;
 FIG. 4 is a right side view thereof;
 FIG. 5 is a left side view thereof;
 FIG. 6 is a top view thereof;
 FIG. 7 is a bottom view thereof;
 FIG. 8 is a perspective view of another embodiment of the lamp;
 FIG. 9 is a front view thereof;
 FIG. 10 is a rear view thereof;
 FIG. 11 is a right side view thereof;
 FIG. 12 is a left side view thereof;
 FIG. 13 is a top view thereof; and,
 FIG. 14 is a bottom view thereof.

1 Claim, 10 Drawing Sheets



(56)

References Cited

U.S. PATENT DOCUMENTS

D810,349 S *	2/2018	Sempe	D26/104
D810,350 S *	2/2018	Sempe	D26/104
D810,352 S *	2/2018	Bibby	D26/107
D819,869 S *	6/2018	Tosetto	D26/88
D825,094 S *	8/2018	Hendifar	D26/106
D828,609 S *	9/2018	Barber	D26/110
D831,878 S *	10/2018	Reybier	D26/93
D844,887 S *	4/2019	Ng	D26/106
D851,323 S *	6/2019	Barber	D26/93
2012/0140495 A1 *	6/2012	Zhang	F21S 6/002 362/431
2019/0078757 A1 *	3/2019	Poppenheimer	F21V 21/10

* cited by examiner

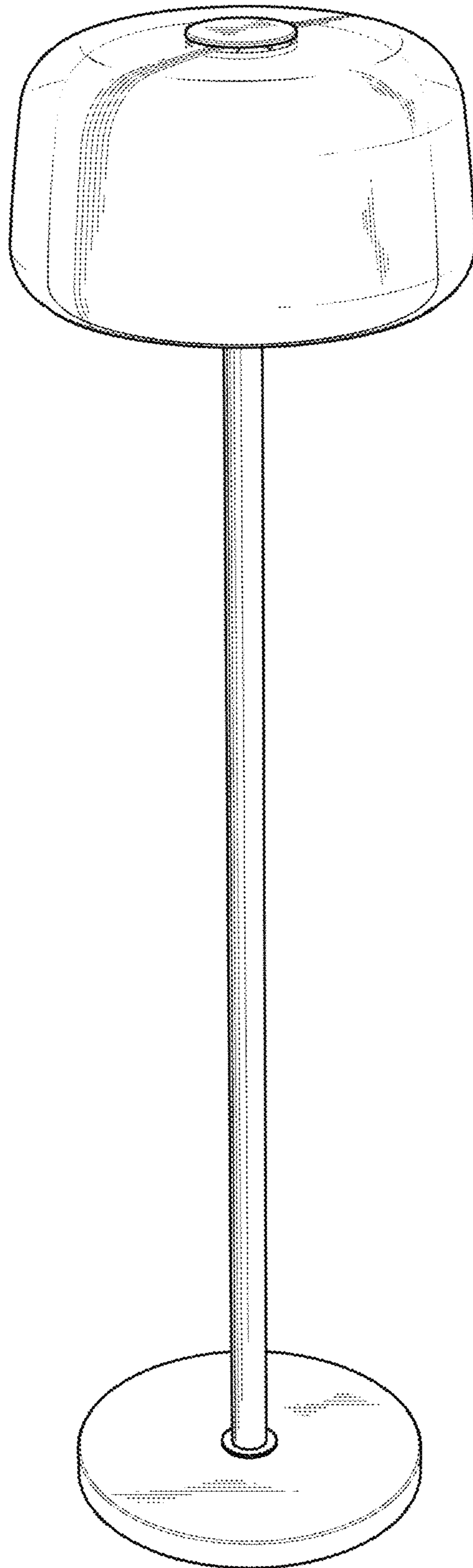


FIG. 1

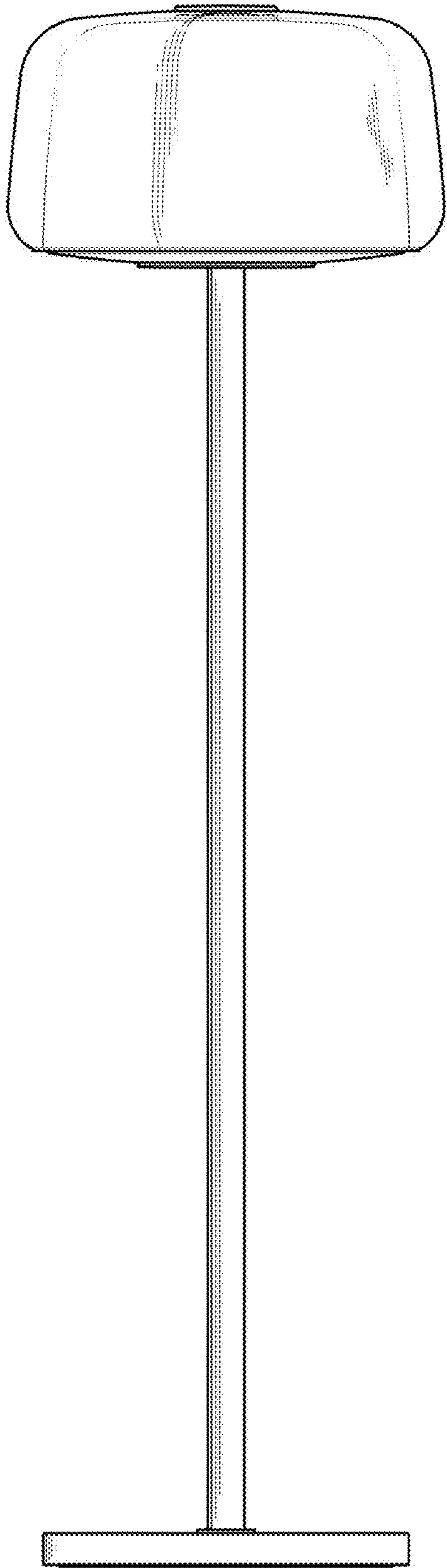


FIG. 2

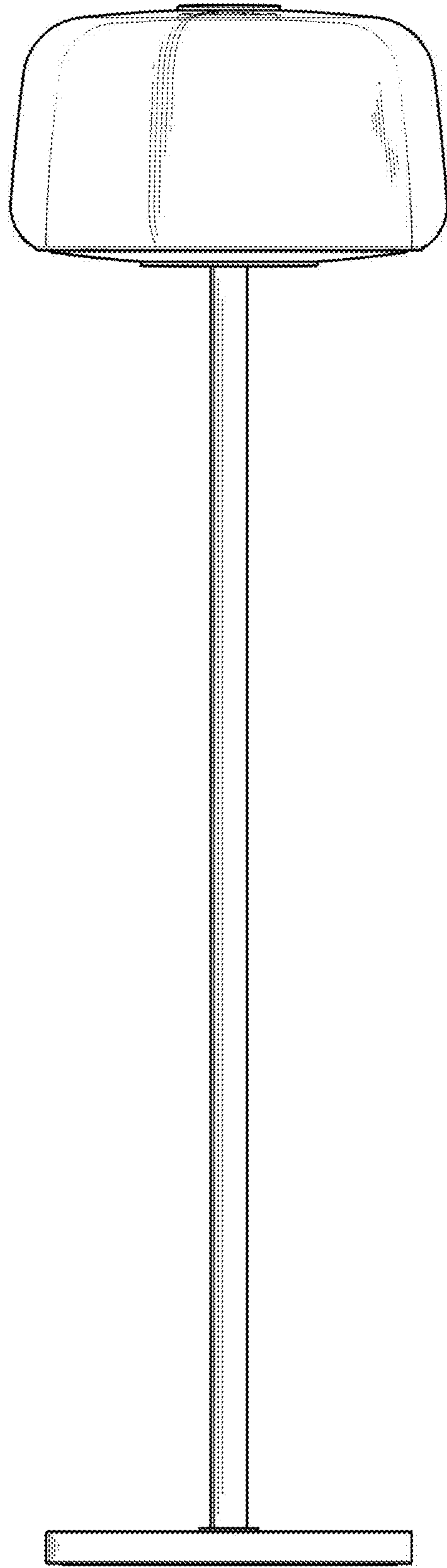


FIG. 3

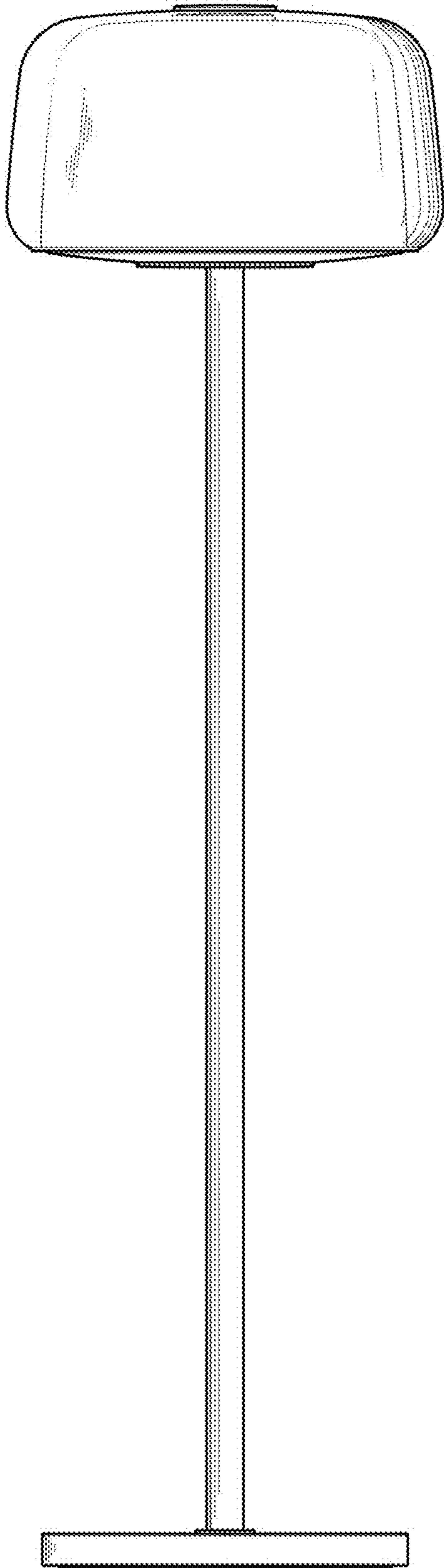


FIG. 4

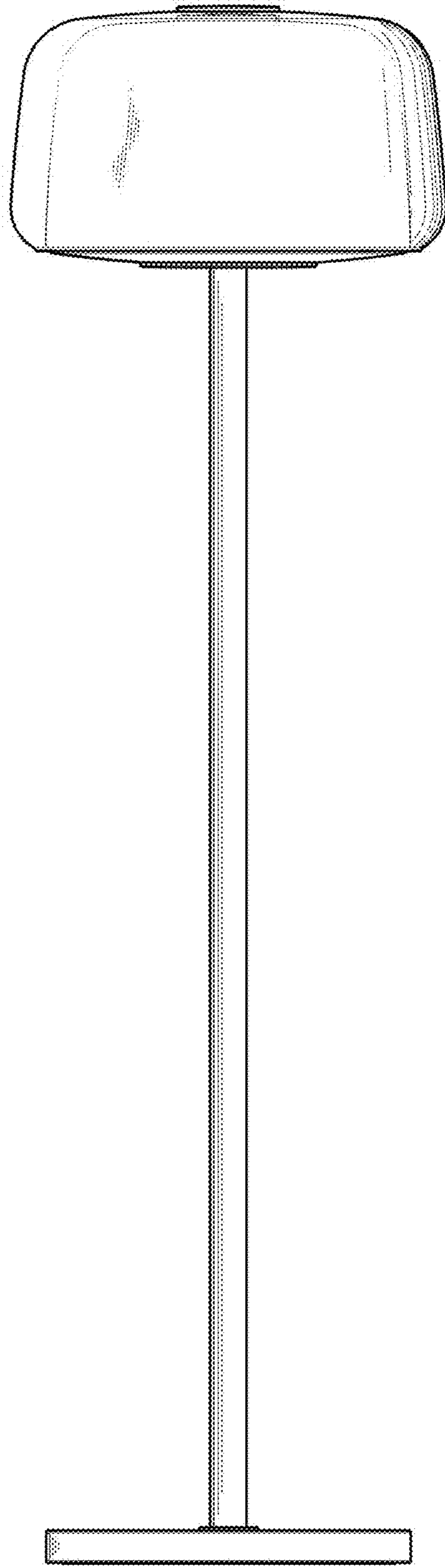


FIG. 5

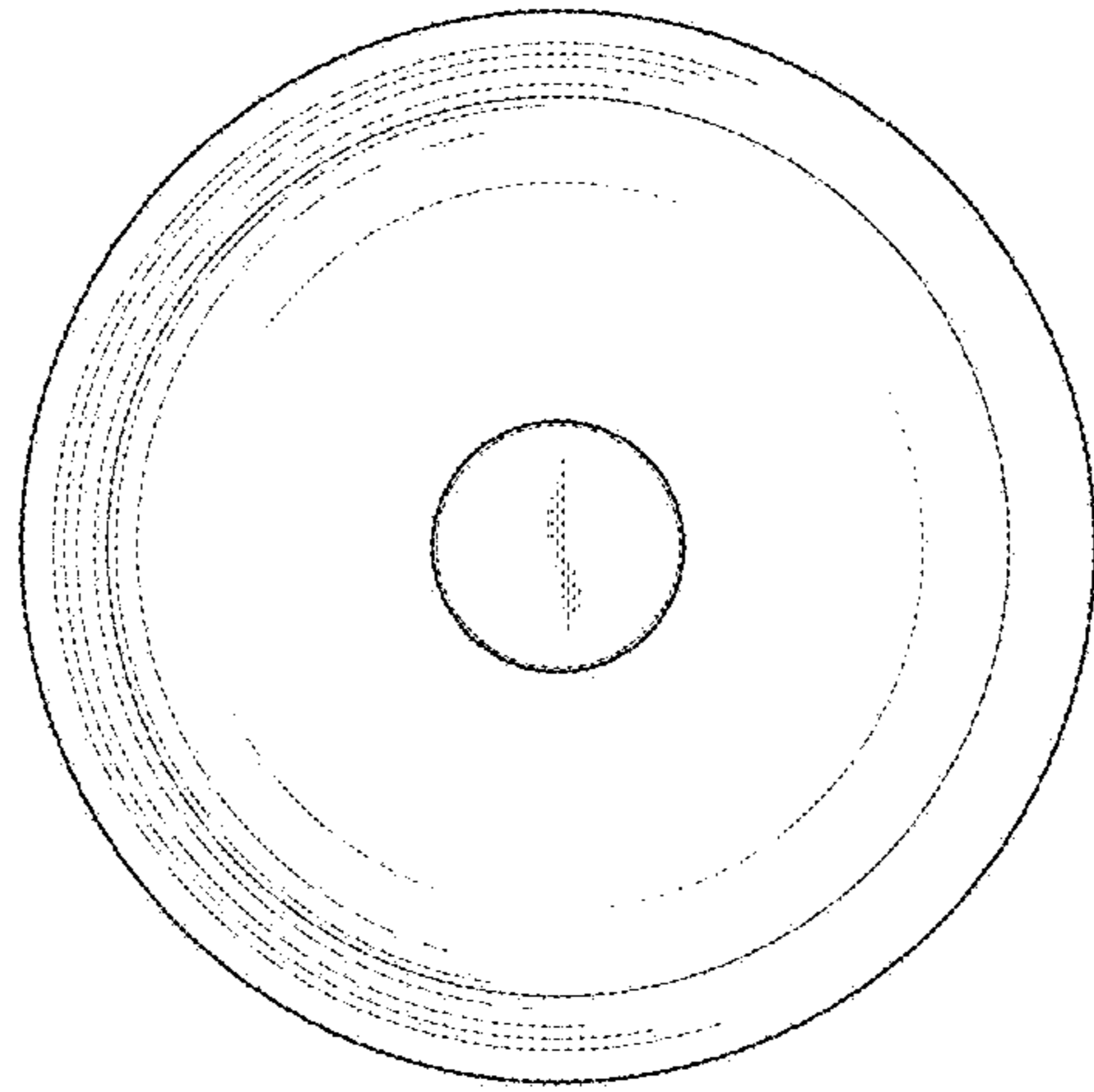


FIG. 6

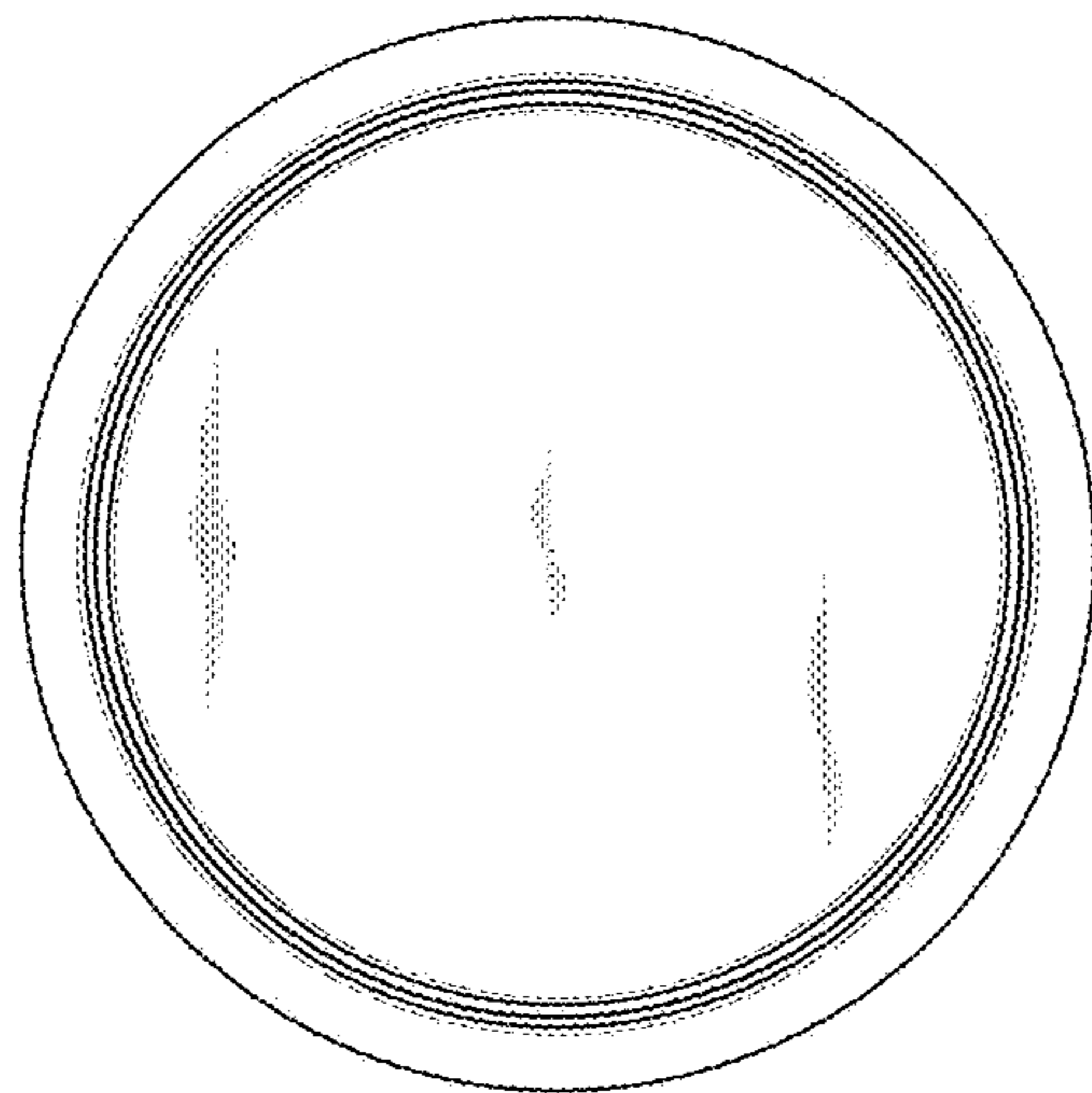


FIG. 7

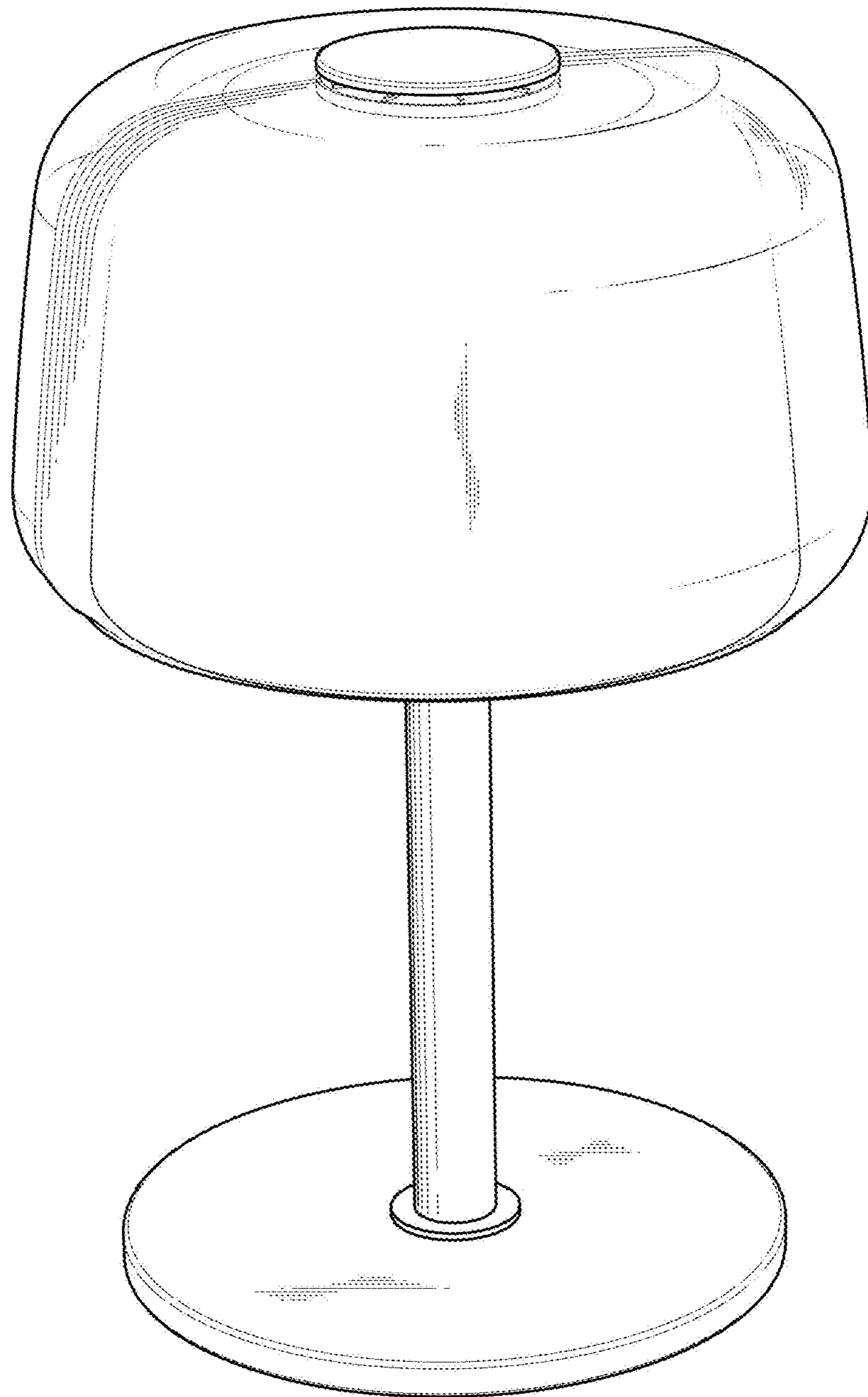


FIG. 8

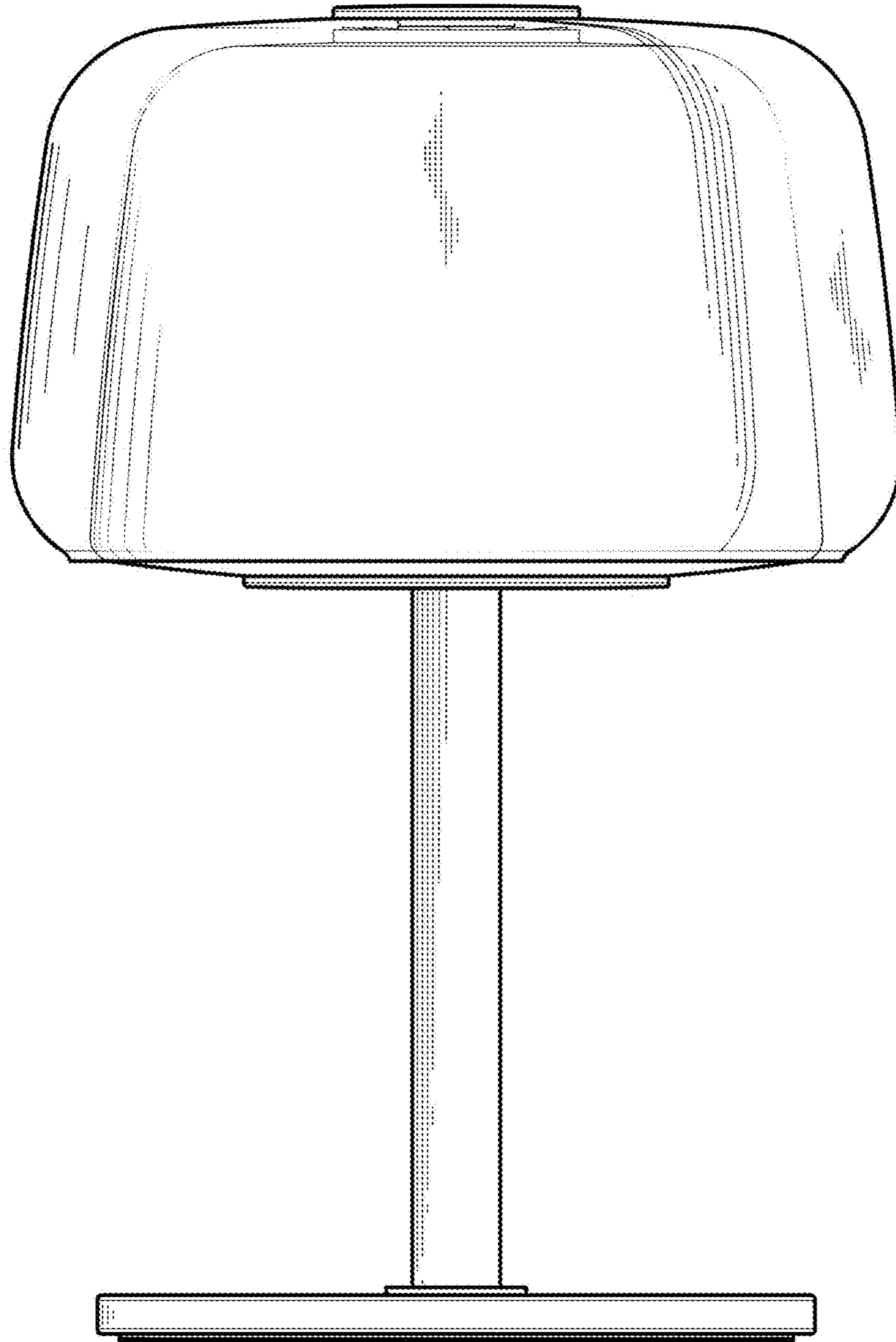


FIG. 9

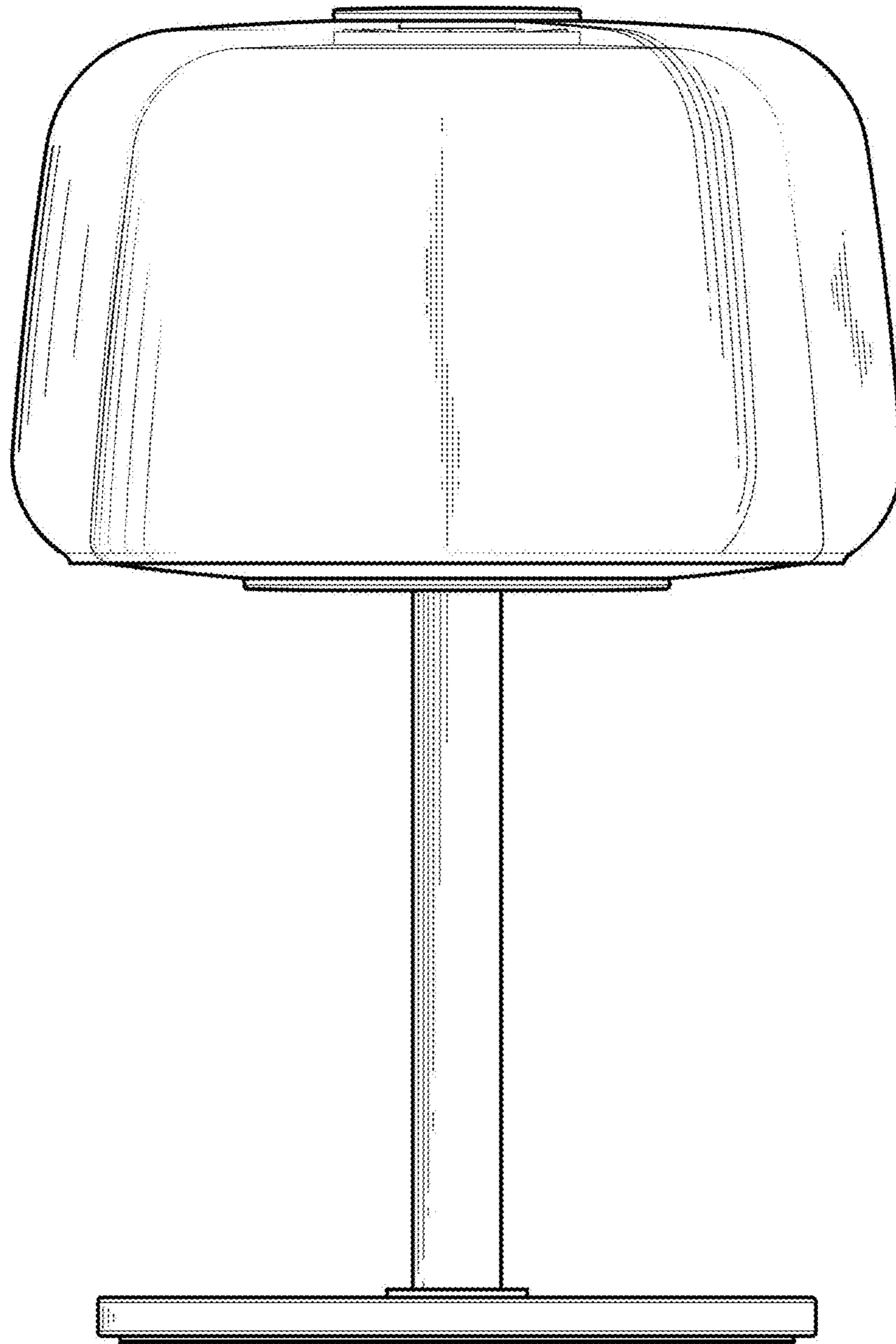


FIG. 10

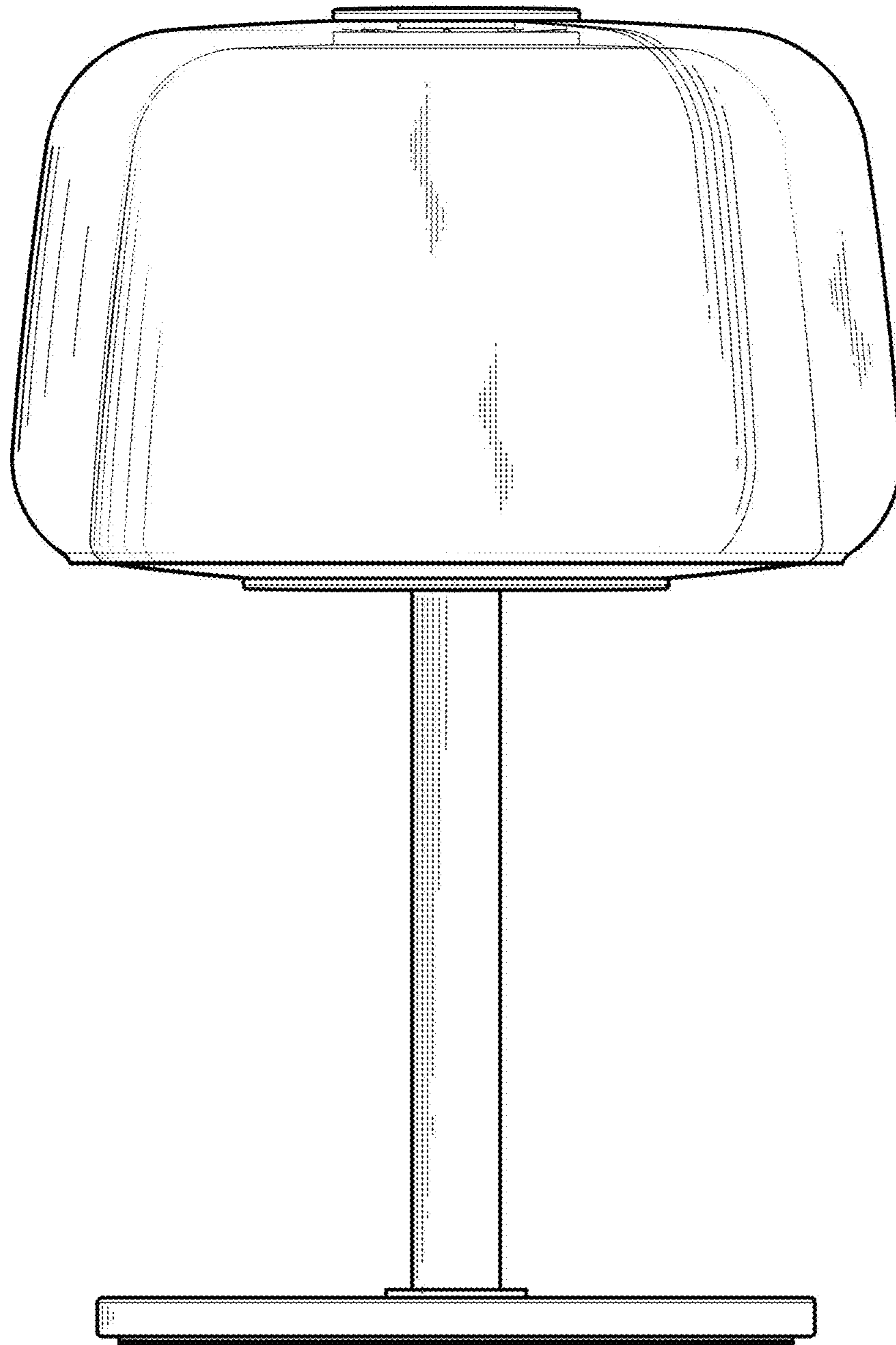


FIG. 11

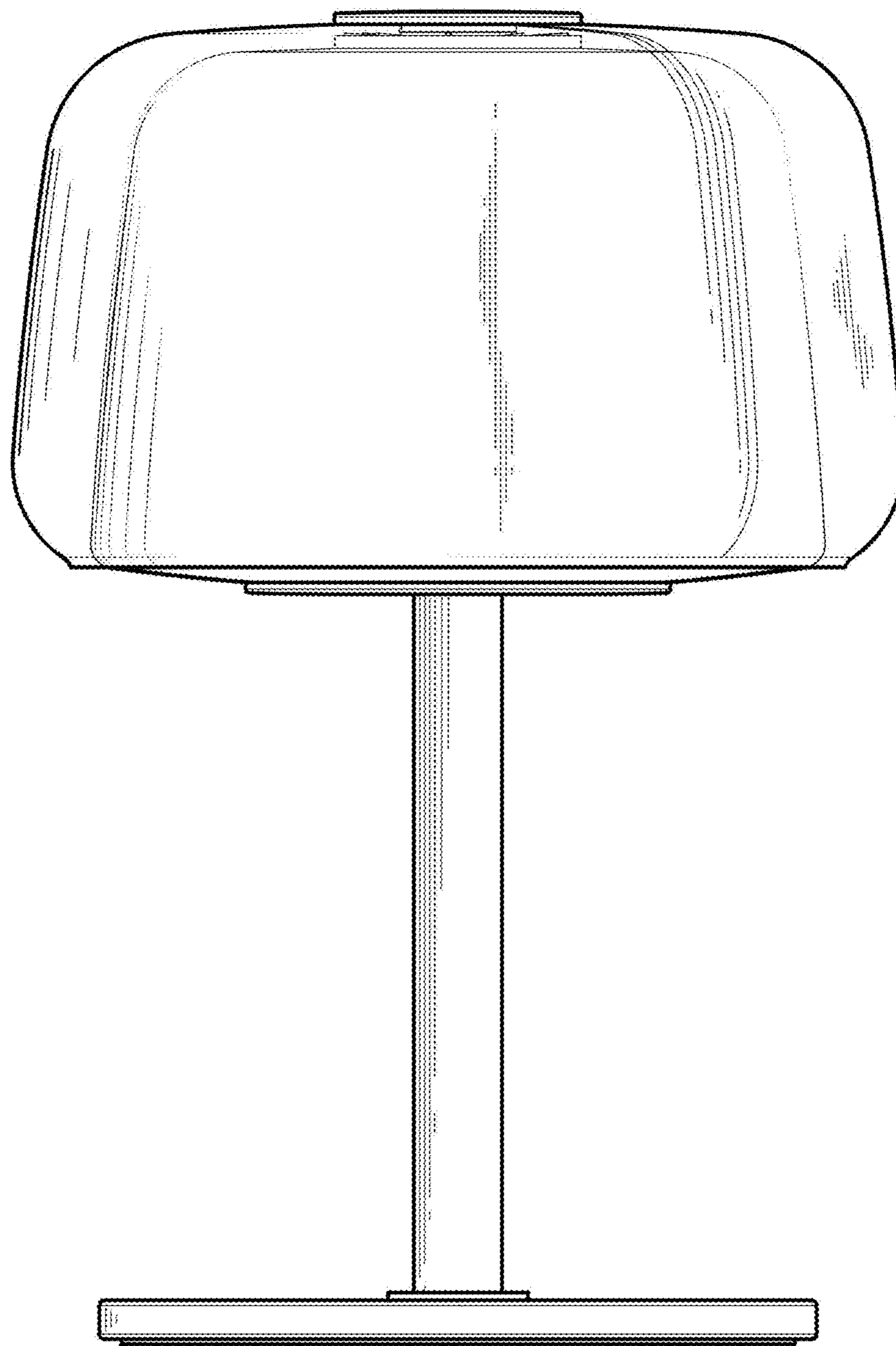


FIG. 12

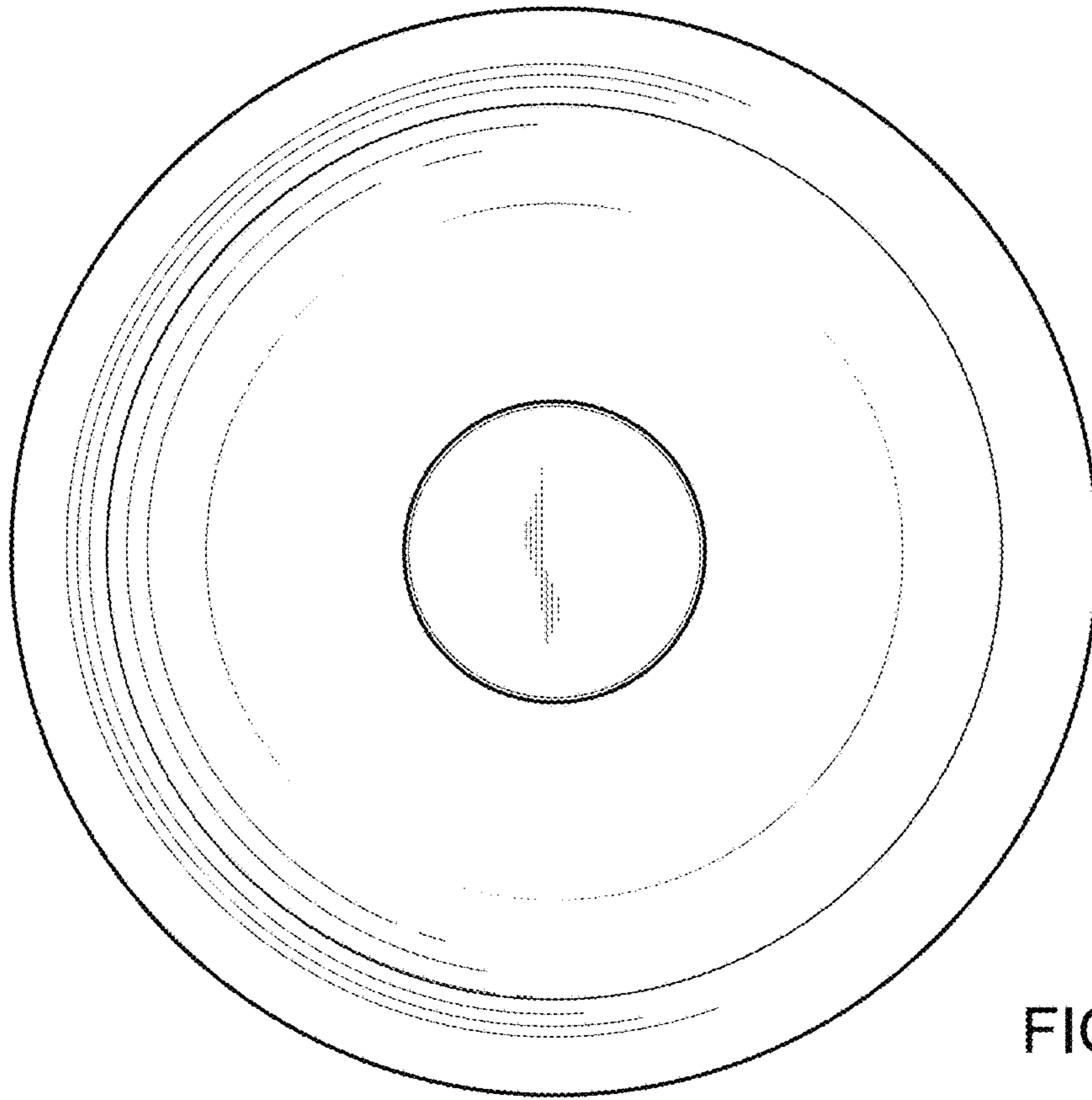


FIG. 13

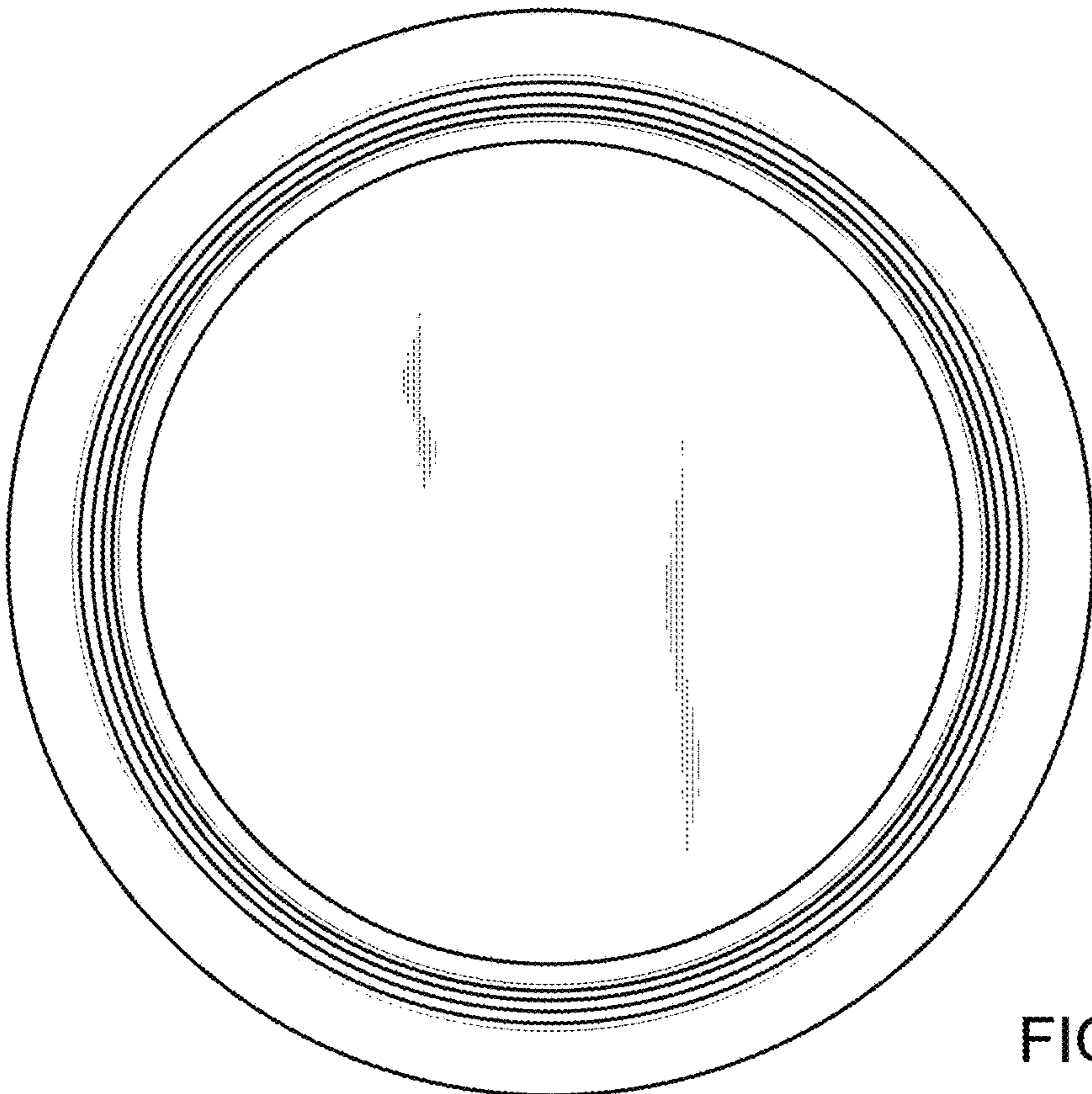


FIG. 14