



US00D872344S

(12) **United States Design Patent** (10) **Patent No.:** **US D872,344 S**  
**Gratton** (45) **Date of Patent:** **\*\* Jan. 7, 2020**

(54) **LIGHT FIXTURE**  
(71) Applicant: **SWAROVSKI LIGHTING, LTD.,**  
Plattsburgh, NY (US)  
(72) Inventor: **Meredith Gratton,** Plattsburg, NY (US)  
(73) Assignee: **SWAROVSKI LIGHTING, LTD.,**  
Plattsburgh, NY (US)  
(\*\*) Term: **15 Years**  
(21) Appl. No.: **29/691,661**  
(22) Filed: **May 17, 2019**

D389,267 S \* 1/1998 Sutton ..... D11/131  
D442,712 S \* 5/2001 Boyer ..... D26/102  
D481,484 S \* 10/2003 Cuevas ..... D26/84  
D523,579 S \* 6/2006 Schuyler ..... D26/142  
D523,988 S \* 6/2006 Schuyler ..... D26/142  
D596,331 S \* 7/2009 Sabernig ..... D26/84  
D619,296 S \* 7/2010 Thevenot ..... D26/118  
D669,205 S \* 10/2012 Sonneman ..... D26/83  
D700,993 S \* 3/2014 Schuyler  
D731,104 S \* 6/2015 Miyake ..... D26/88  
D760,420 S \* 6/2016 Tomlinson ..... D26/81  
D771,302 S \* 11/2016 Ross ..... D26/118  
D816,894 S \* 5/2018 Amato ..... D26/144

(Continued)

**Related U.S. Application Data**

(62) Division of application No. 35/001,473, filed on Dec. 18, 2017 (U.S. filing date under 35 U.S.C. 384), and having an international filing date of Dec. 18, 2017.  
(51) **LOC (12) Cl.** ..... **26-05**  
(52) **U.S. Cl.**  
USPC ..... **D26/86**  
(58) **Field of Classification Search**  
USPC ..... D26/51, 72, 80, 81, 85, 86, 88, 89, 91,  
D26/93, 103, 104, 110, 112, 118  
CPC .... F21S 6/00; F21S 6/002; F21S 6/004; F21S  
8/04  
See application file for complete search history.

**References Cited**

**U.S. PATENT DOCUMENTS**

D78,956 S \* 7/1929 Zweig ..... D26/86  
3,244,873 A \* 4/1966 Leutheuser ..... F21V 21/38  
362/258  
3,790,772 A \* 2/1974 Newman ..... 40/444  
D252,531 S \* 7/1979 Glassman ..... D26/80  
D280,850 S \* 10/1985 Merino ..... D26/102  
D328,956 S \* 8/1992 Leonard ..... F21V 21/38  
D11/131

**OTHER PUBLICATIONS**

Conroe Oil Rubbed Bronze Metal Cube 18: Wide Pendant Light. Earliest date Sep. 14, 2017; 5 pages. Found online Sep. 16, 2019 at: [https://www.lampsplus.com/products/conroe-oil-rubbed-bronze-metal-cube-18-inch-wide-pendant-light\\_8d567.html](https://www.lampsplus.com/products/conroe-oil-rubbed-bronze-metal-cube-18-inch-wide-pendant-light_8d567.html).\*

(Continued)

*Primary Examiner* — Robert M. Spear  
(74) *Attorney, Agent, or Firm* — Heslin Rothenberg Farley & Mesiti P.C.

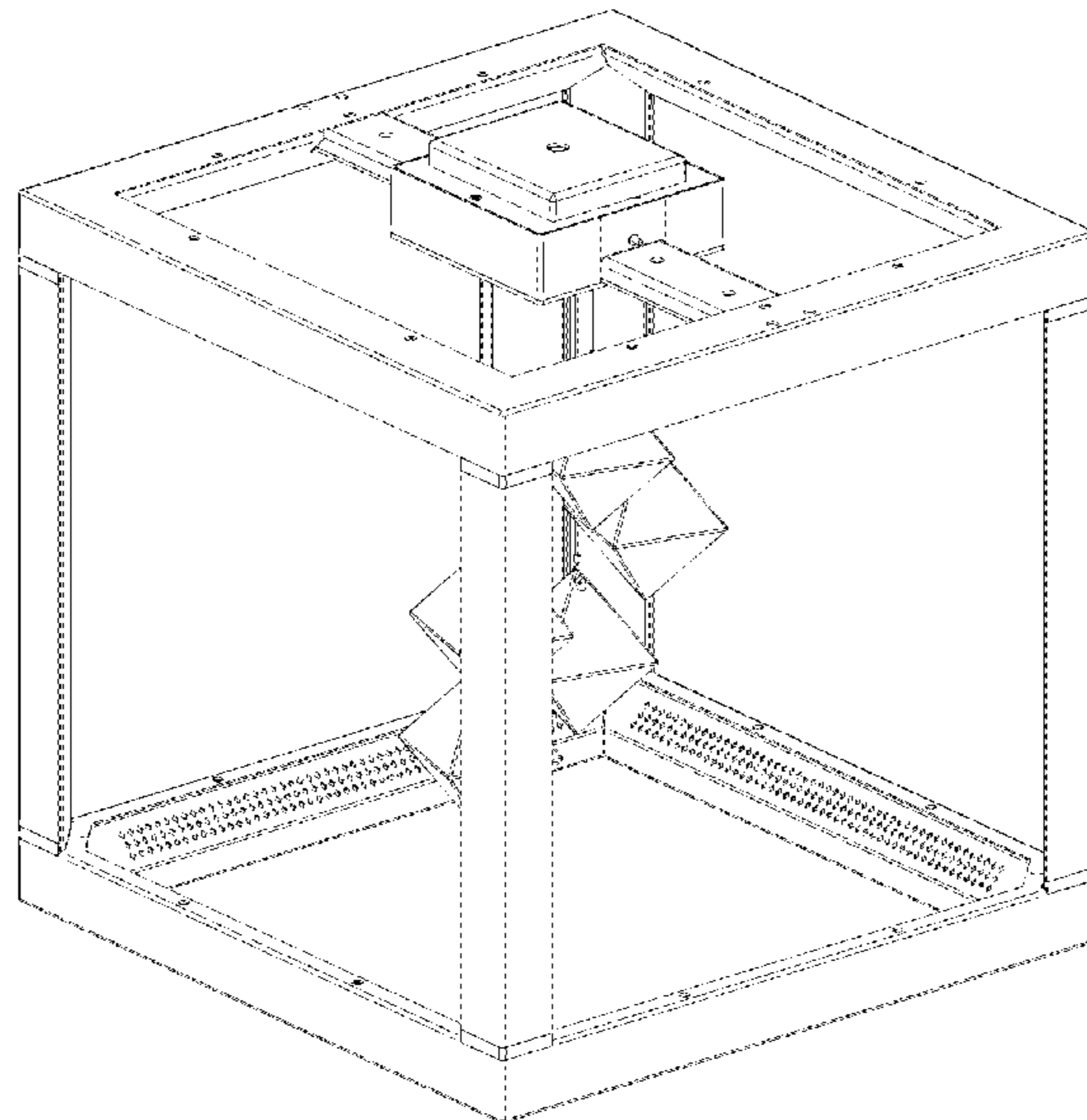
(57) **CLAIM**

The ornamental design for a light fixture, as shown and described.

**DESCRIPTION**

FIG. 1 is a perspective view of a light fixture according to the new design;  
FIG. 2 is a front elevational view thereof;  
FIG. 3 is a rear elevational view thereof;  
FIG. 4 is a top view thereof;  
FIG. 5 is a bottom view thereof;  
FIG. 6 is a left side elevational view thereof; and,  
FIG. 7 is a right side elevational view thereof.

**1 Claim, 7 Drawing Sheets**



(56)

**References Cited**

U.S. PATENT DOCUMENTS

D825,816 S \* 8/2018 Sonneman ..... D26/88  
D837,435 S \* 1/2019 Richardson ..... D26/82

OTHER PUBLICATIONS

This Copper Cube Pendant Light Creates Geometric Shadows. Dated Jun. 21, 2017. Found online Sep. 16, 2019 at <https://www.contemporist.com/copper-cube-pendant-light/>.\*

New Fyra LED Pendant Light. © 2019. 3 pages. Found online Sep. 16, 2019 at <https://www.ylighting.com/fyra-led-pendant-light-by-swarovski-SWVP268235.html>.\*

Screenshot from <https://www.youtube.com/watch?v=GBtlCbmqPP0>, dated Feb. 22, 2018. One page.\*

Various Lighting Fixtures, 2017 Better Homes and Gardens Interest Publication Lighting magazine, pp. 10, 18, 79, 88, and 115, 8 pages, at least as early as Jul. 10, 2017.

Gratton, Meredith, design U.S. Appl. No. 29/693,997, filed Jun. 6, 2019, entitled "Light Fixture", and Preliminary Amendment, filed Jun. 11, 2019.

\* cited by examiner

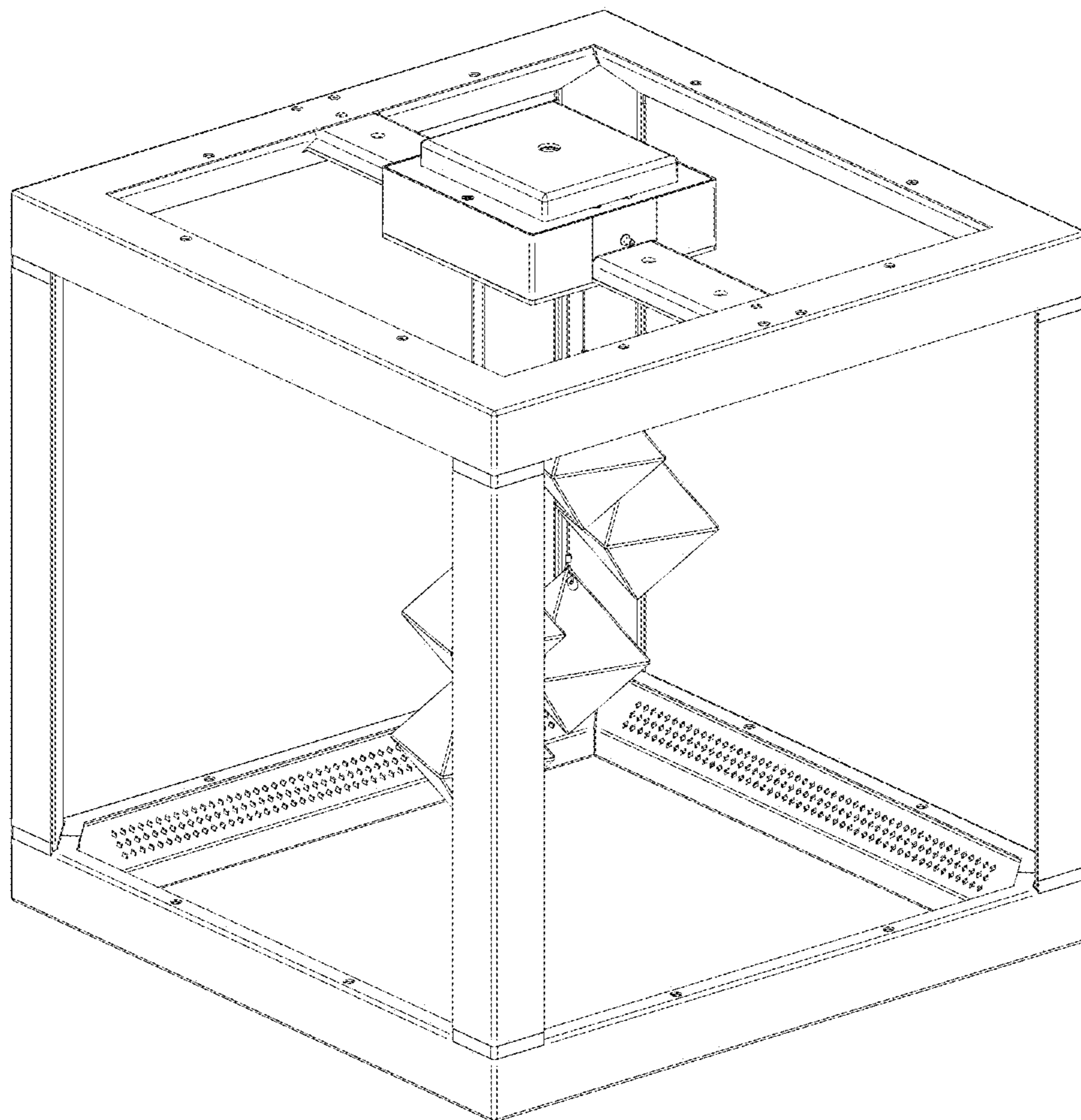


FIG. 1

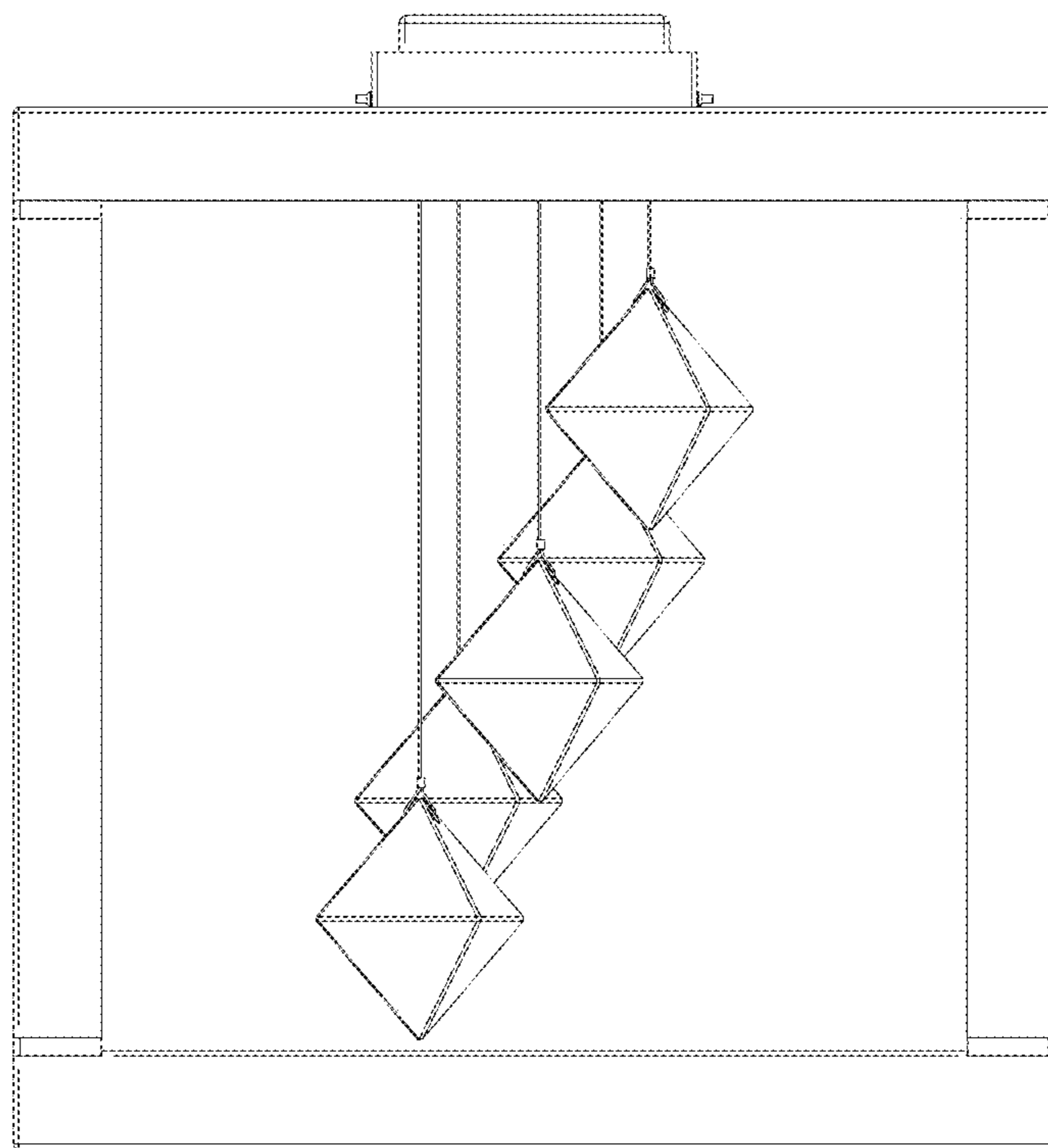


FIG. 2

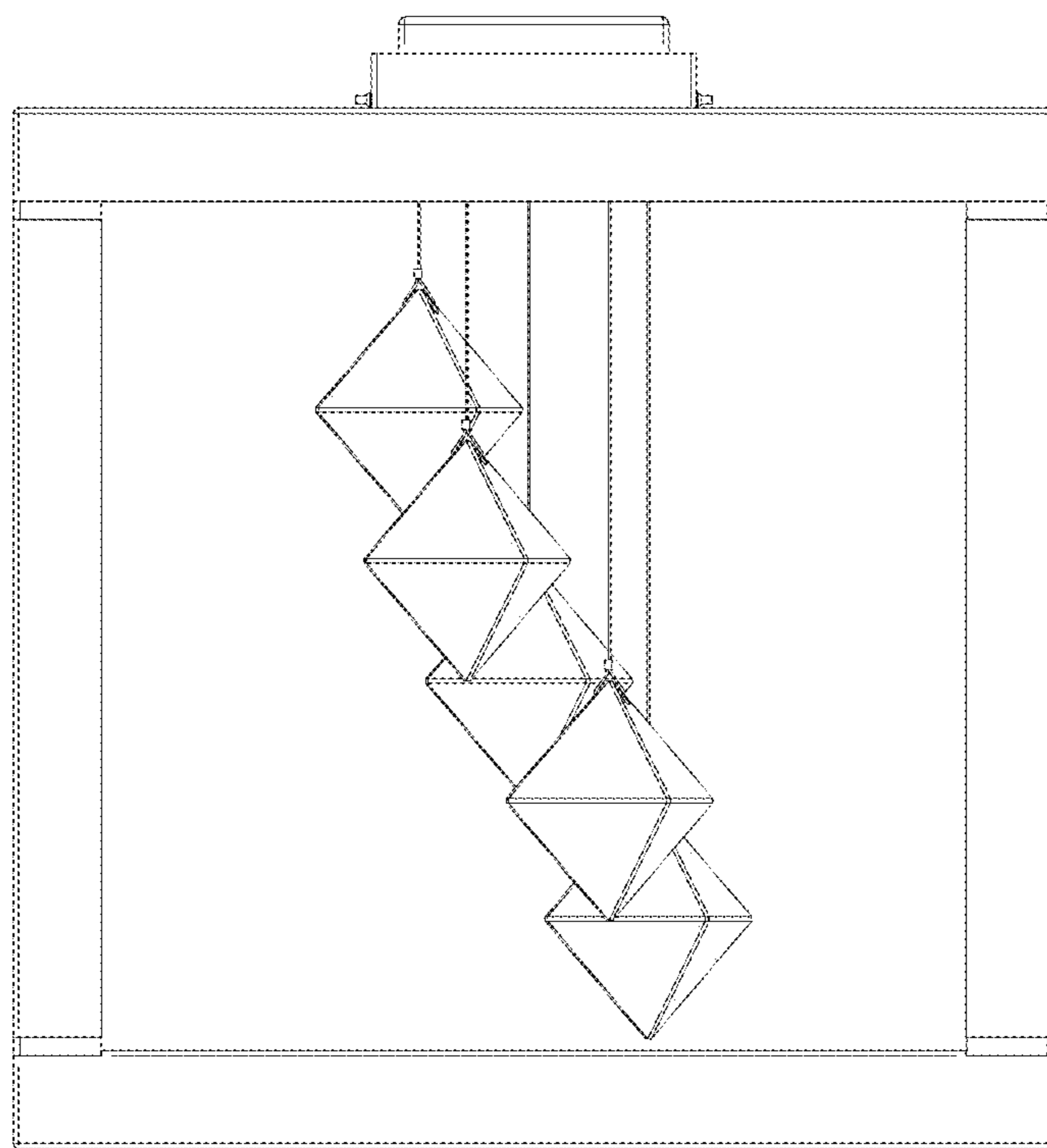


FIG. 3



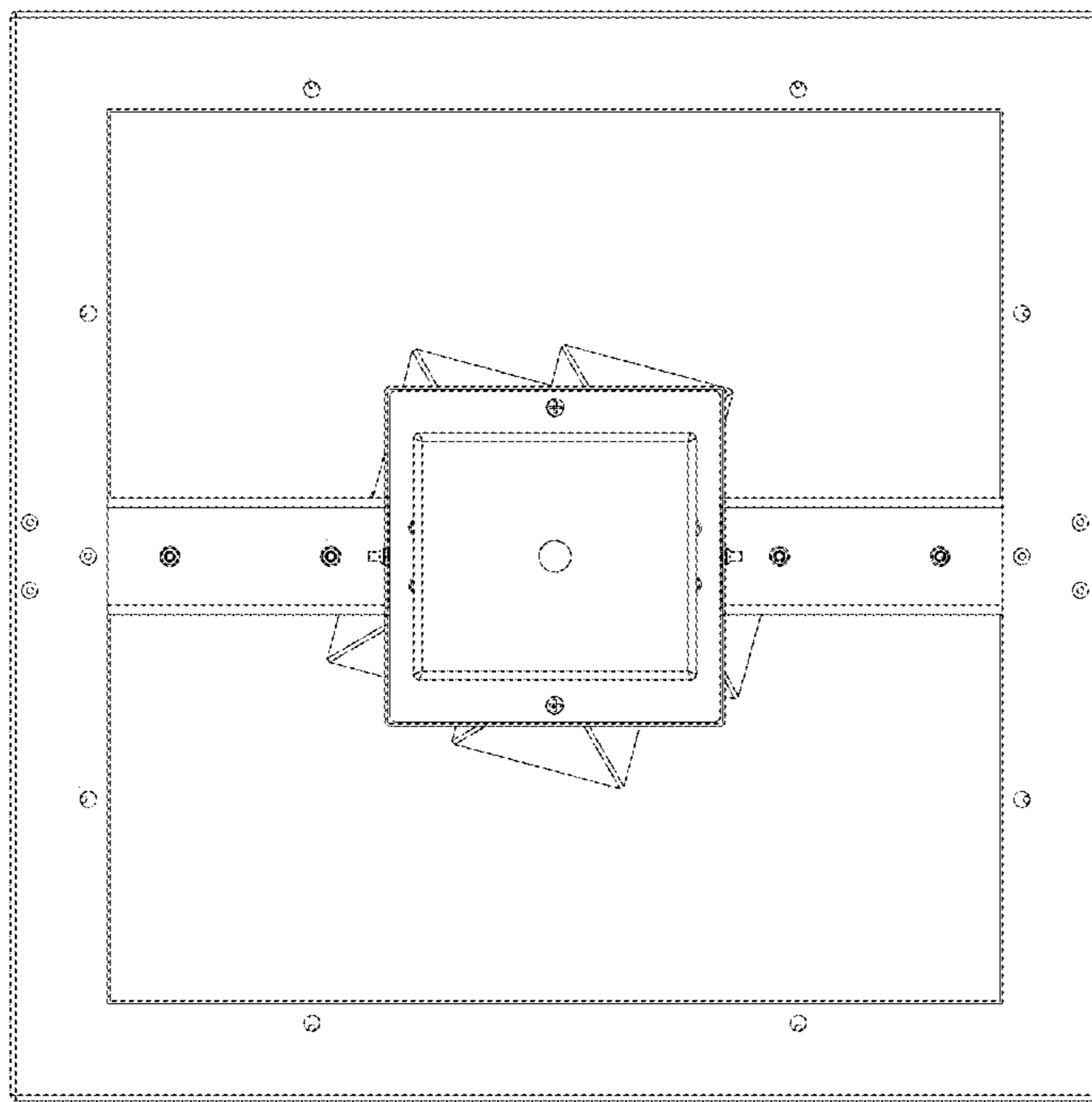


FIG. 4

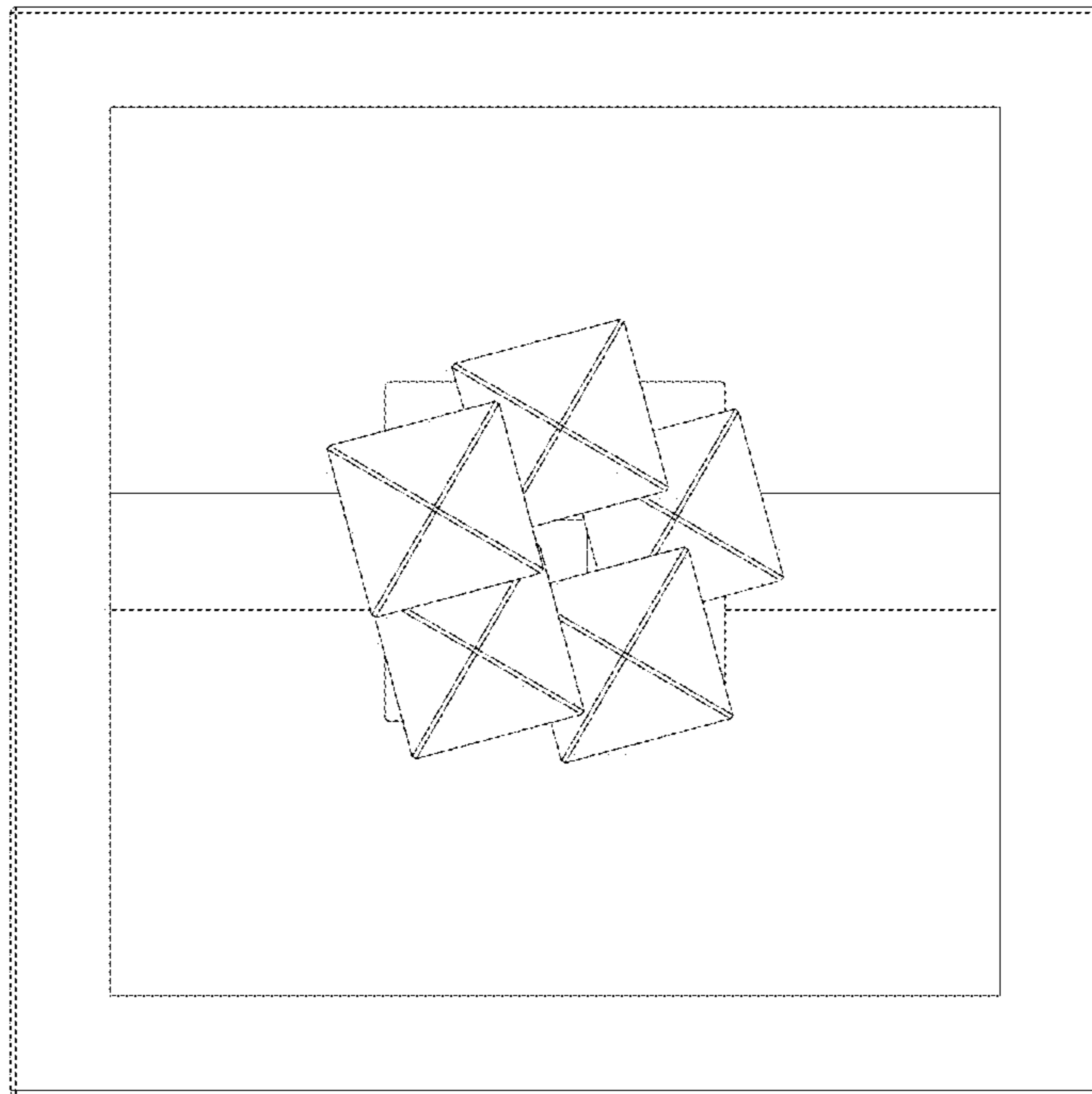


FIG. 5

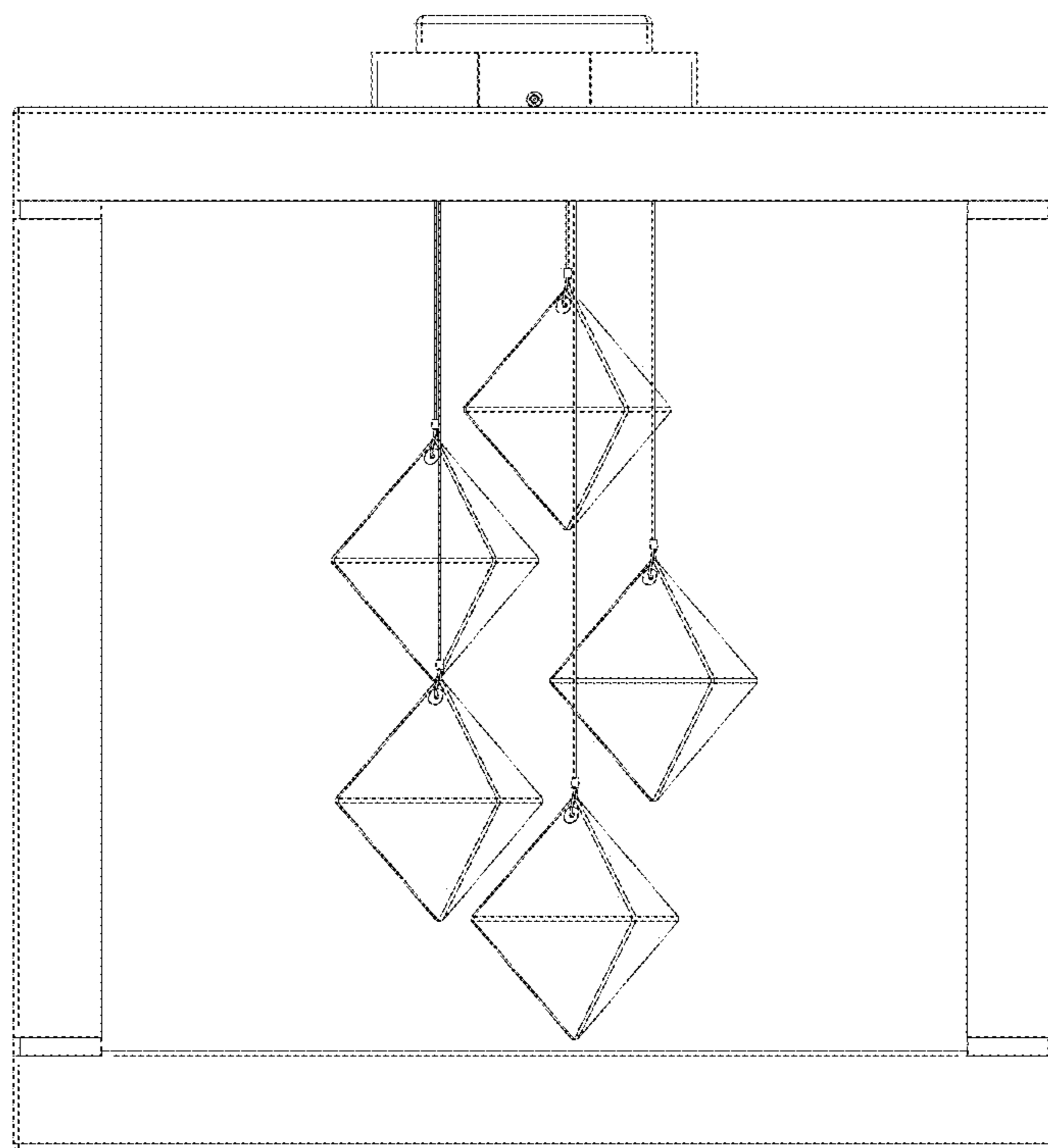


FIG. 6



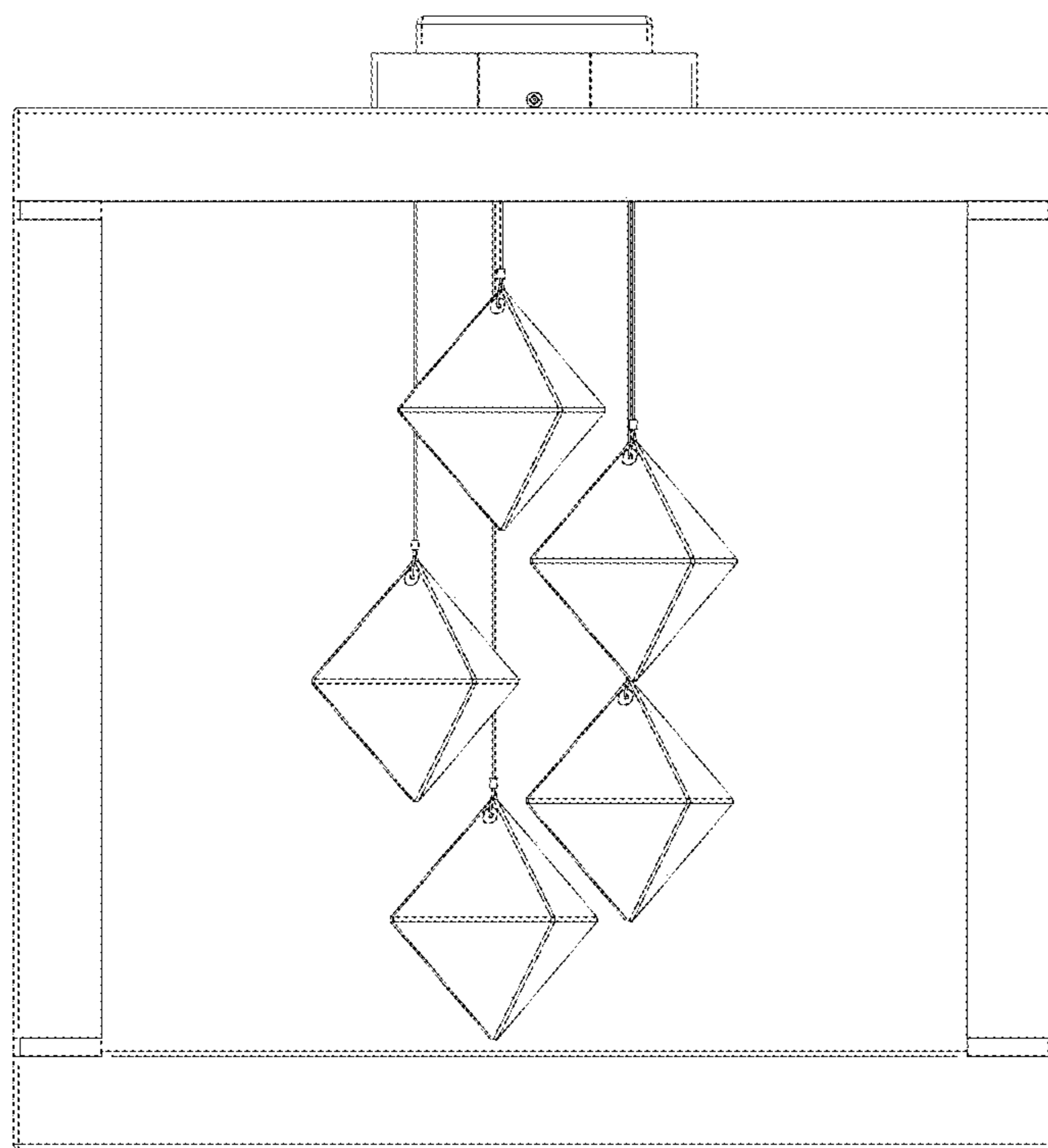


FIG. 7