



US00D872342S

(12) **United States Design Patent**
Dinh et al.

(10) **Patent No.:** **US D872,342 S**
(45) **Date of Patent:** **** Jan. 7, 2020**

(54) **WALL SCONCE**

(71) Applicant: **Hubbell Incorporated**, Shelton, CT
(US)

(72) Inventors: **Chau Huyen Tran Dinh**, Anaheim, CA
(US); **Kevin Lu**, Fountain Valley, CA
(US); **Syed Raza**, Rancho Palos Verdes,
CA (US); **Dean DalPonte**, Glendale,
CA (US); **Armin Ahrari**, Chino, CA
(US); **Benjamin Peirick**, Greenville,
SC (US)

(73) Assignee: **Hubbell Incorporated**, Shelton, CT
(US)

(**) Term: **15 Years**

(21) Appl. No.: **29/635,683**

(22) Filed: **Feb. 1, 2018**

(51) **LOC (12) Cl.** **26-05**

(52) **U.S. Cl.**
USPC **D26/85**

(58) **Field of Classification Search**
USPC D26/61, 63, 71, 72, 80-89, 92, 118
CPC .. F21S 8/033; F21S 8/036; F21S 8/038; F21S
8/088; F21W 2121/004; F21W 2131/107;
F21V 17/02; F21V 21/14; F21V 21/30
See application file for complete search history.

(56) **References Cited**

U.S. PATENT DOCUMENTS

D329,104 S *	9/1992	Dieperink	D26/76
D338,980 S *	8/1993	Dieperink	D26/87
D381,762 S *	7/1997	Compton	D26/87
D494,701 S *	8/2004	Campbell	D26/85
D500,569 S *	1/2005	Butler	D26/67
D501,944 S *	2/2005	Friedman	D26/71
D501,947 S *	2/2005	Haugaard	D26/67
D502,283 S *	2/2005	Haugaard	D26/118

D550,388 S *	9/2007	Binsukor	D26/67
D634,878 S *	3/2011	Guercio	D26/71
D704,373 S *	5/2014	Compton	D26/85
D770,668 S *	11/2016	Toms	D26/92
D827,901 S *	9/2018	Dal Ponte	D26/71
D843,040 S *	3/2019	Xiang	D26/63
2008/0094838 A1 *	4/2008	Russello	F21V 21/30 362/249.07

(Continued)

Primary Examiner — Cathron C Brooks

(74) *Attorney, Agent, or Firm* — Michael Best &
Friedrich, LLP

(57) **CLAIM**

We claim the ornamental design for a wall sconce, as shown
and described.

DESCRIPTION

FIG. 1 is a first perspective view of a wall sconce according
to a new design.

FIG. 2 is a second perspective view of the wall sconce of
FIG. 1.

FIG. 3 is a front view of the wall sconce of FIG. 1.

FIG. 4 is a rear view of the wall sconce of FIG. 1.

FIG. 5 is a first side elevation view of the wall sconce of
FIG. 1.

FIG. 6 is a second side elevation view of the wall sconce of
FIG. 1.

FIG. 7 is a first plan view of the wall sconce of FIG. 1.

FIG. 8 is a second plan view of the wall sconce of FIG. 1.

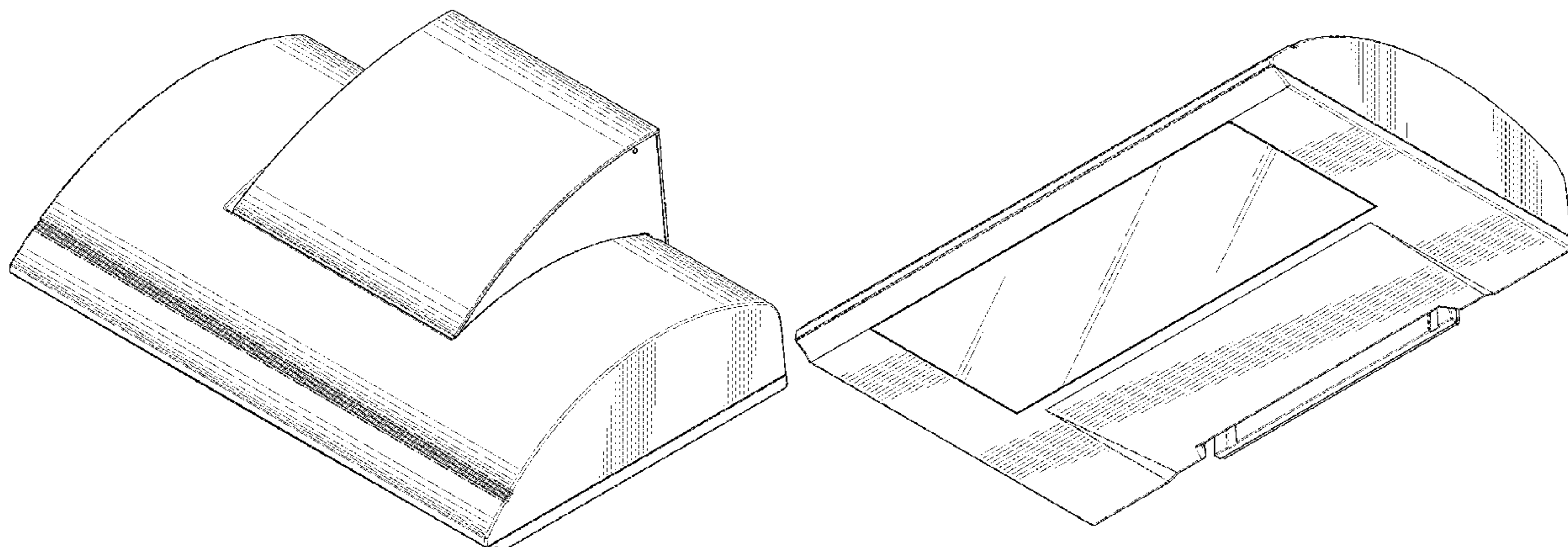
FIG. 9 is a perspective view of the wall sconce of FIG. 1
coupled to a wall in a first orientation; and,

FIG. 10 is a perspective view of the wall sconce of FIG. 1
coupled to a wall in a second orientation.

The elements shown in broken lines are included for the
purpose of illustrating portions of the wall sconce that form
no part of the claimed design.

The central area in FIG. 4 that is shown without surface
shading also forms no part of the claimed design.

1 Claim, 6 Drawing Sheets



(56)

References Cited

U.S. PATENT DOCUMENTS

2008/0101075 A1* 5/2008 Yoshida F21S 8/033
362/418
2013/0250556 A1* 9/2013 Gordin F21S 8/088
362/147
2019/0234594 A1* 8/2019 Dinh F21V 21/30

* cited by examiner

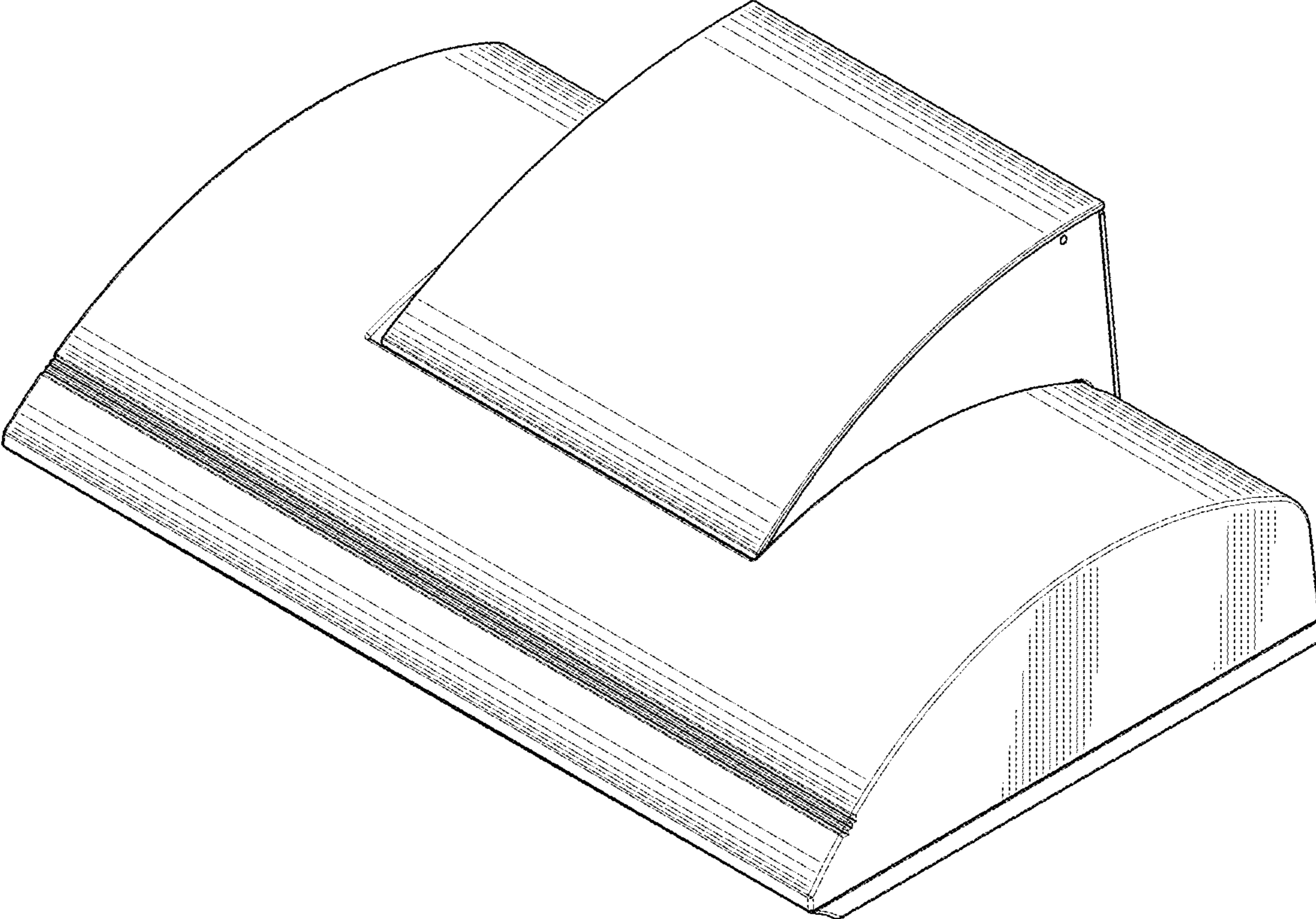


FIG. 1

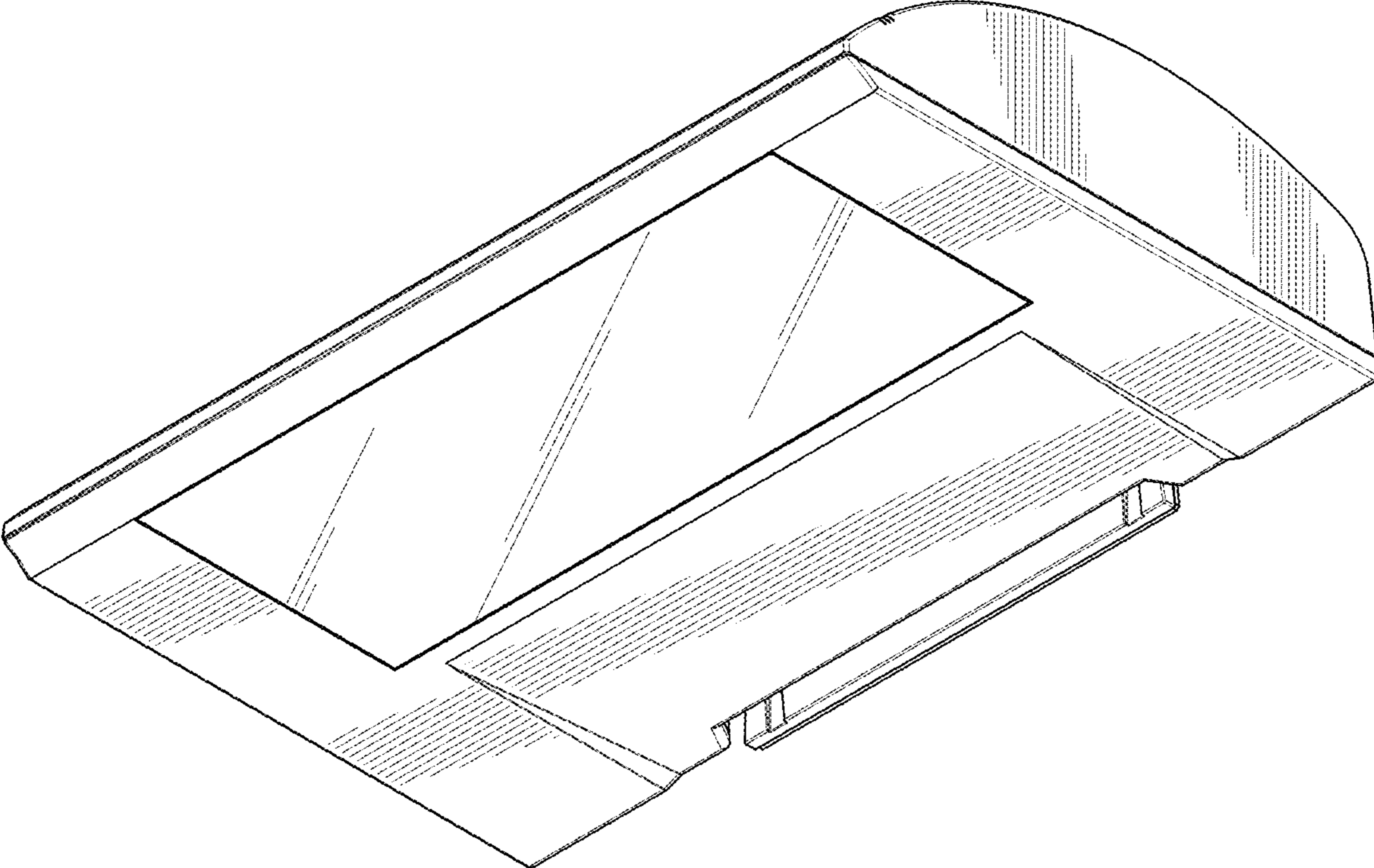


FIG. 2

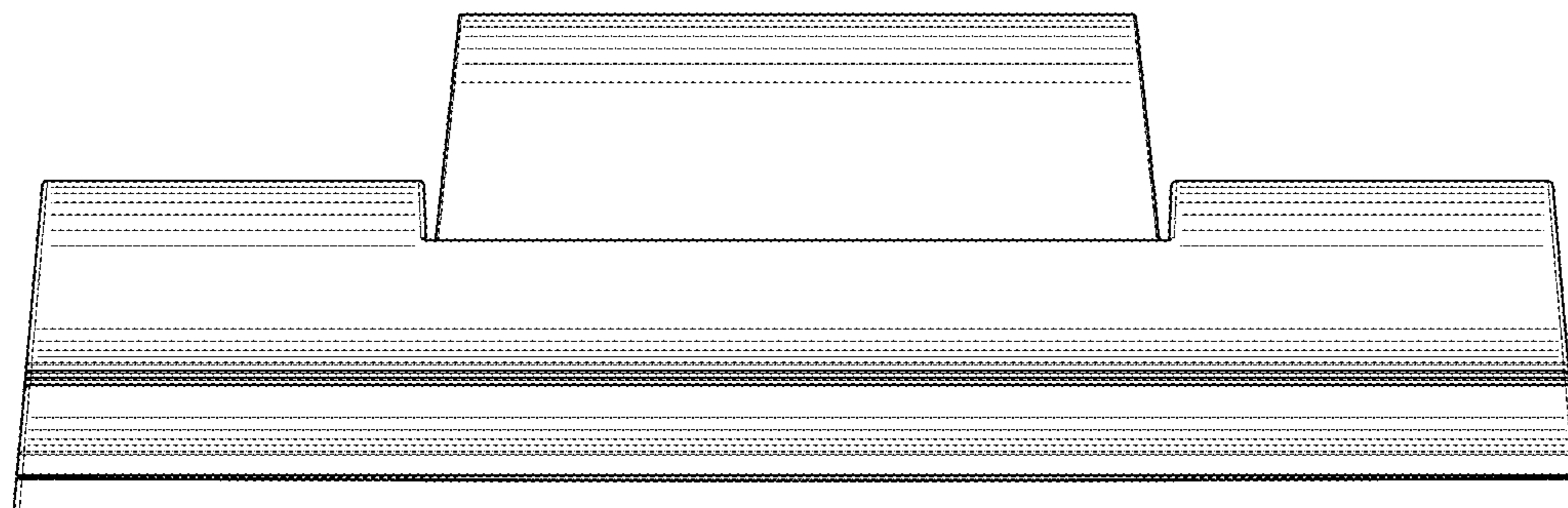


FIG. 3

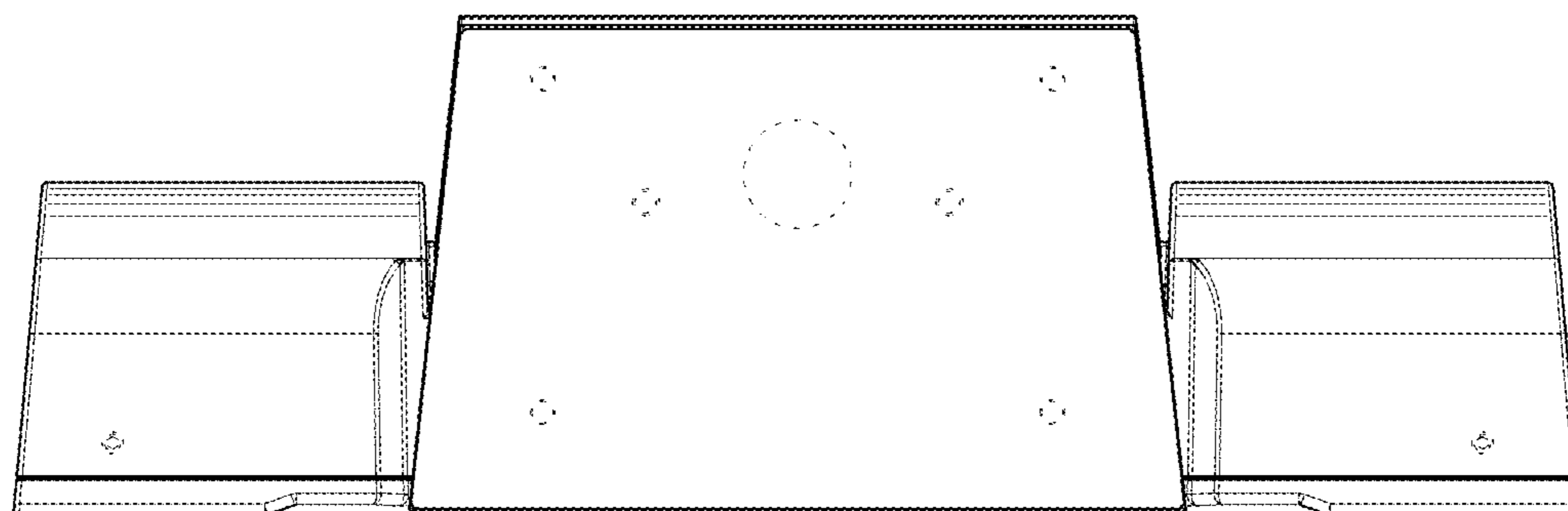


FIG. 4

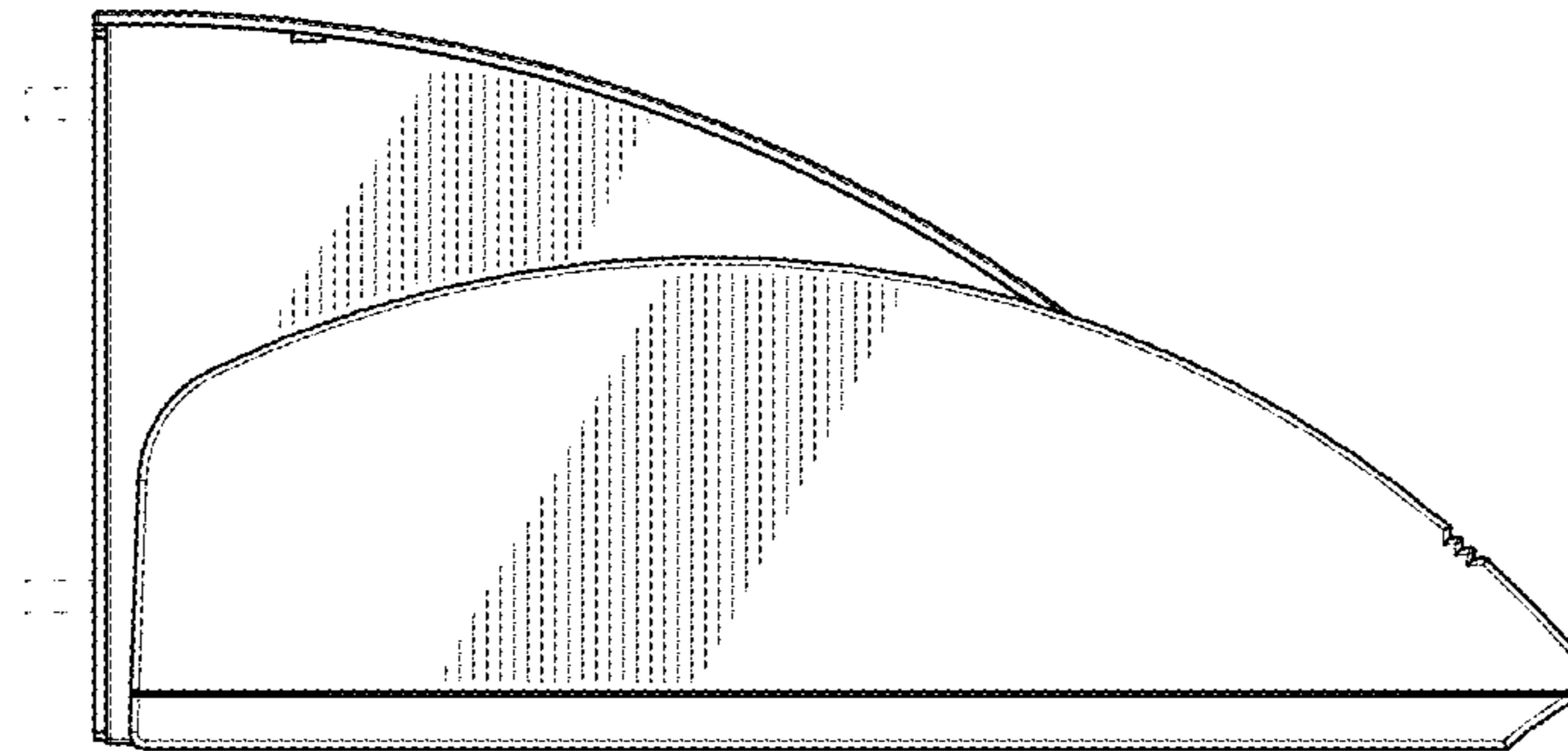


FIG. 5

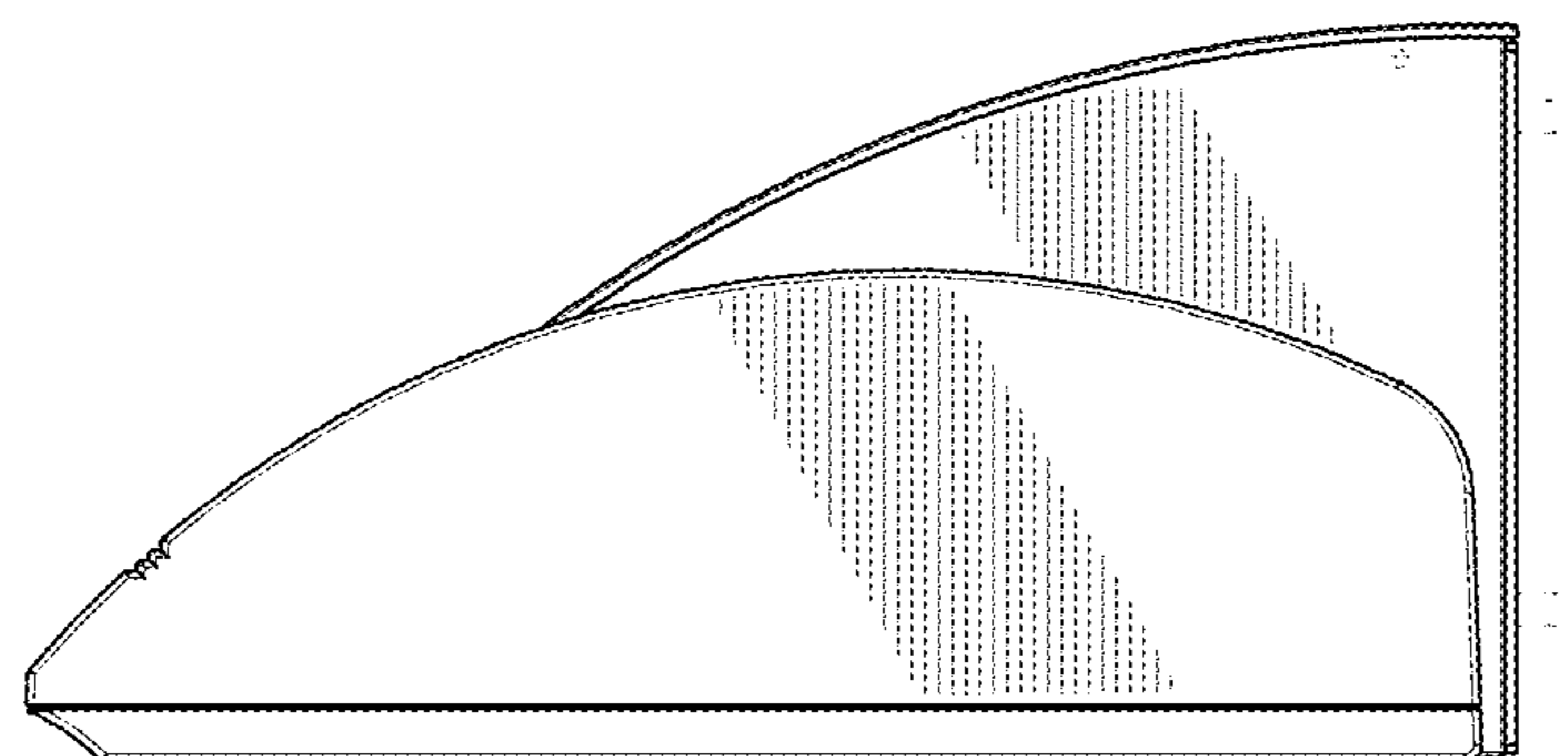


FIG. 6

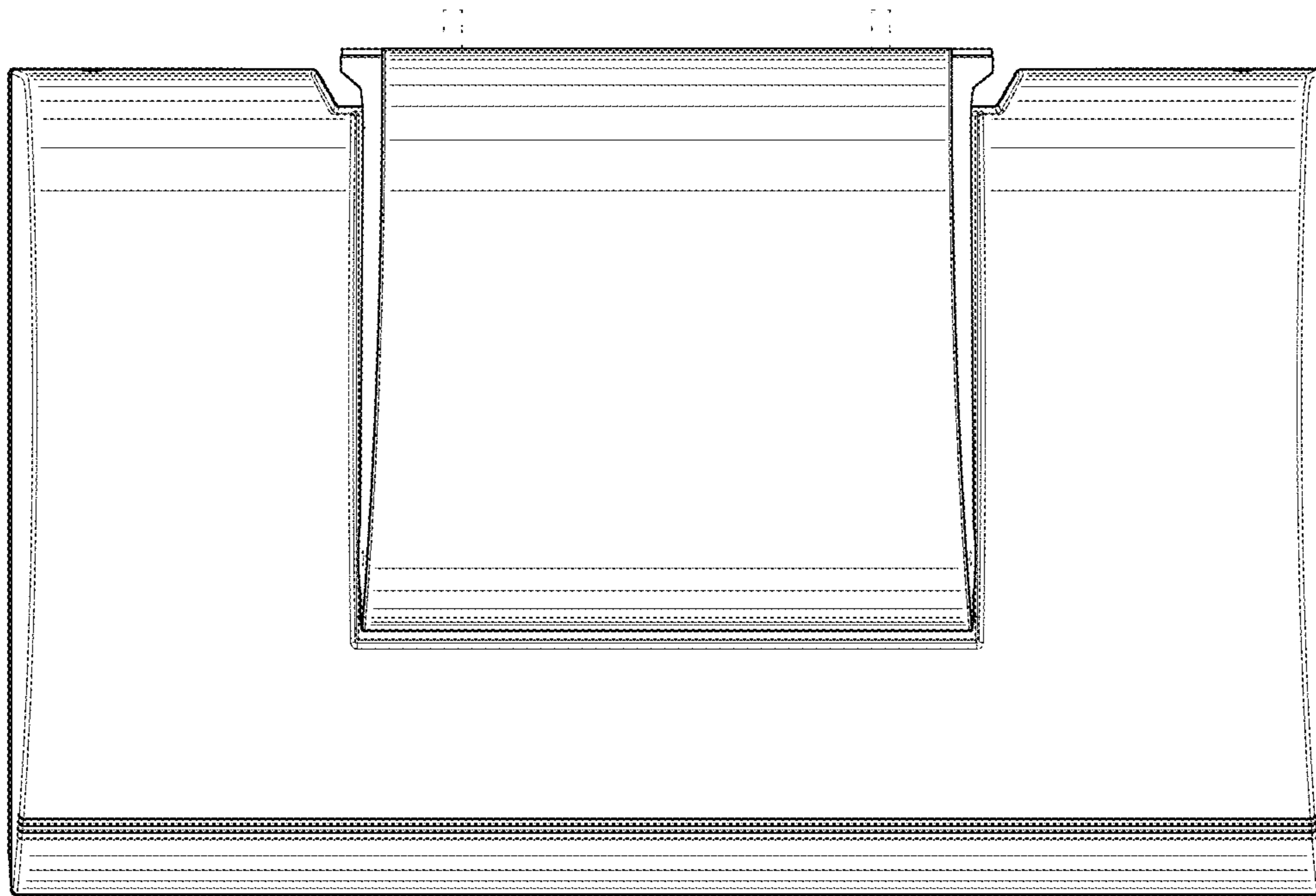


FIG. 7

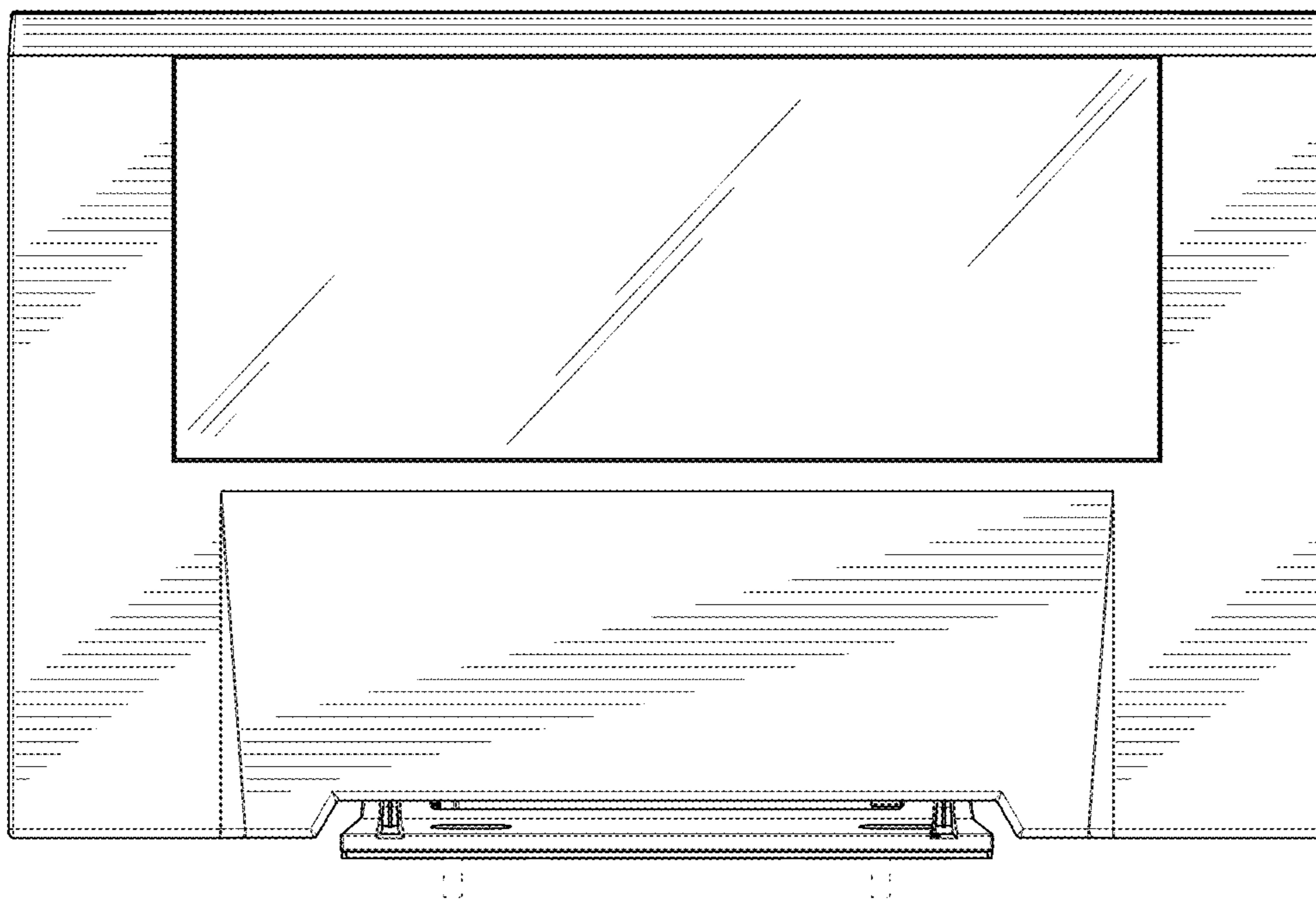


FIG. 8

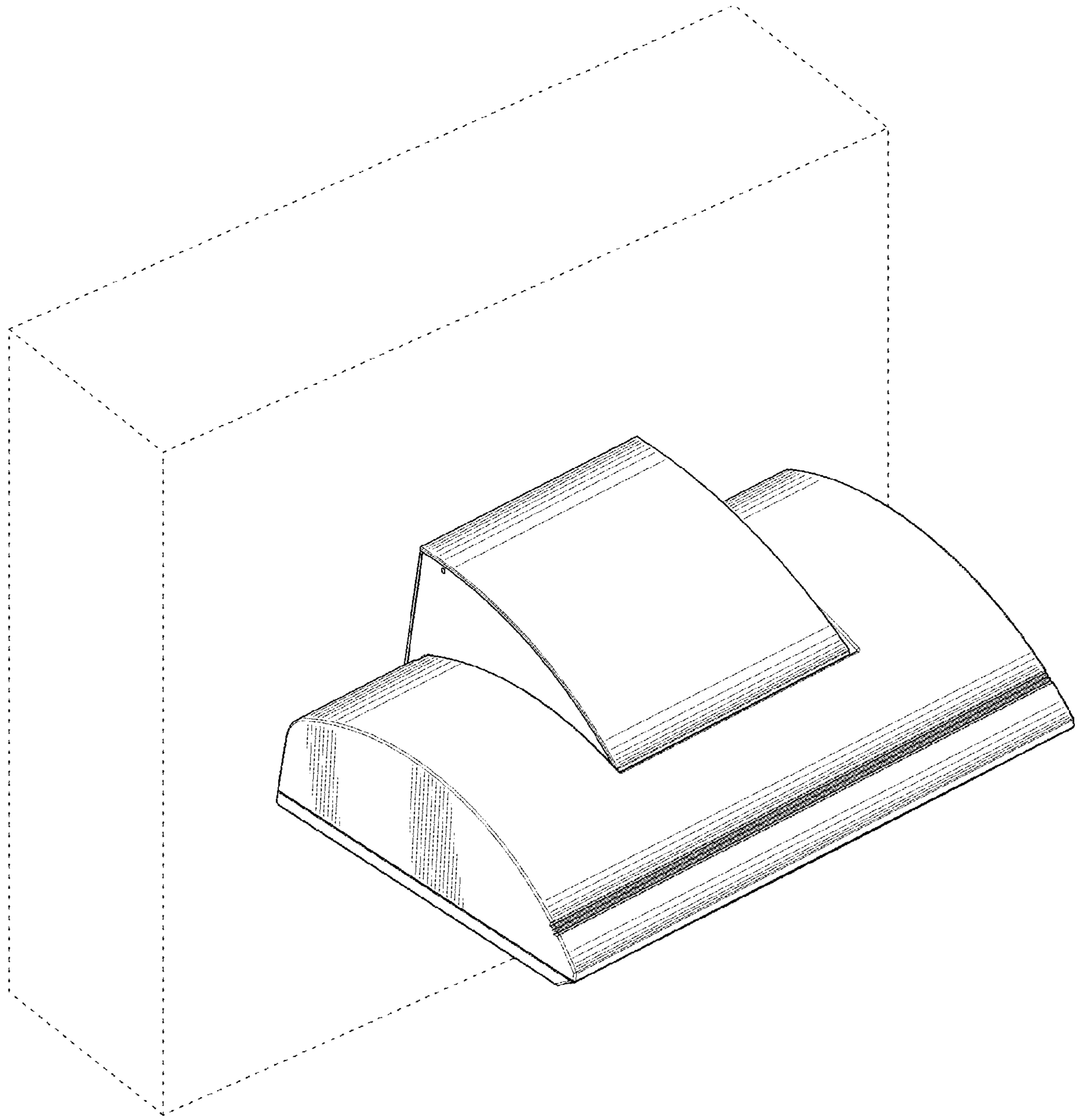


FIG. 9

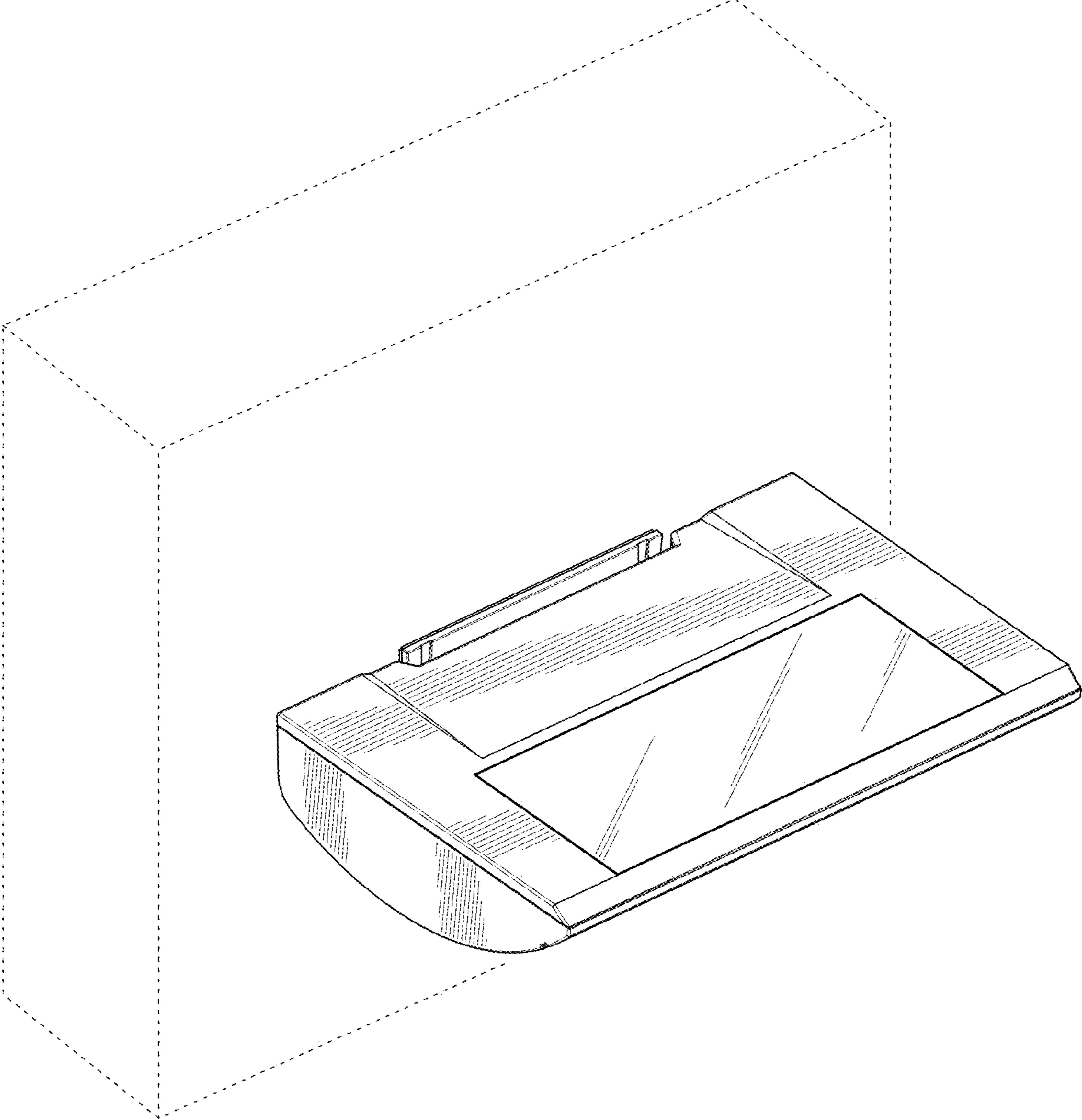


FIG. 10