



US00D872340S

(12) **United States Design Patent**  
**Chami et al.**

(10) **Patent No.:** **US D872,340 S**

(45) **Date of Patent:** **\*\* Jan. 7, 2020**

(54) **CANOPY LIGHT FIXTURE**

(71) Applicant: **MaxLite, Inc.**, West Caldwell, NJ (US)

(72) Inventors: **Aymen Chami**, Hackettstown, NJ (US);  
**Eric Clohosey**, East Rutherford, NJ (US); **Jun Xiang**, Parsippany, NJ (US)

(73) Assignee: **MAXLITE, INC.**, West Caldwell, NJ (US)

(\*\*) Term: **15 Years**

(21) Appl. No.: **29/626,878**

(22) Filed: **Nov. 21, 2017**

(51) **LOC (12) Cl.** ..... **26-03**

(52) **U.S. Cl.**  
USPC ..... **D26/78**

(58) **Field of Classification Search**  
USPC ..... D26/71, 72, 76, 78, 88, 89, 118  
See application file for complete search history.

(56) **References Cited**

**U.S. PATENT DOCUMENTS**

D123,768 S *	12/1940	Scribner .....	D26/78
D132,786 S *	6/1942	Netting .....	D26/78
D168,974 S *	3/1953	Spaulding .....	D26/76
D402,386 S *	12/1998	Compton .....	D26/72
D406,916 S *	3/1999	Klaus .....	D26/72
D661,833 S *	6/2012	Imajo .....	D26/118
D699,386 S *	2/2014	Park .....	D26/118
D720,488 S *	12/2014	Toyohisa .....	D26/74
D756,016 S *	5/2016	Hargreaves .....	D26/79
D774,234 S *	12/2016	Plourde .....	D26/76
D786,470 S *	5/2017	Largent .....	D26/72

D804,079 S *	11/2017	Reynolds .....	D26/78
D831,265 S *	10/2018	Stanley .....	D26/118
2013/0242573 A1 *	9/2013	Petrsoiki .....	F21V 15/01 362/373
2017/0023193 A1 *	1/2017	Thosteson .....	H05B 37/0272

**OTHER PUBLICATIONS**

Maxlite 95300—MP-CP28UC-50S Outdoor Parking Garage Canopy LED Fixture, available at amazon.com Aug. 27, 2018. (Year: 2018).\*

Maxlite LED Garage Canopy Light, Manufacturer Part No. PKGS45UT550. From lightup.com visited Aug. 27, 2019. (Year: 2019).\*

\* cited by examiner

*Primary Examiner* — Clare E Heflin

(74) *Attorney, Agent, or Firm* — Budzyn IP Law, LLC

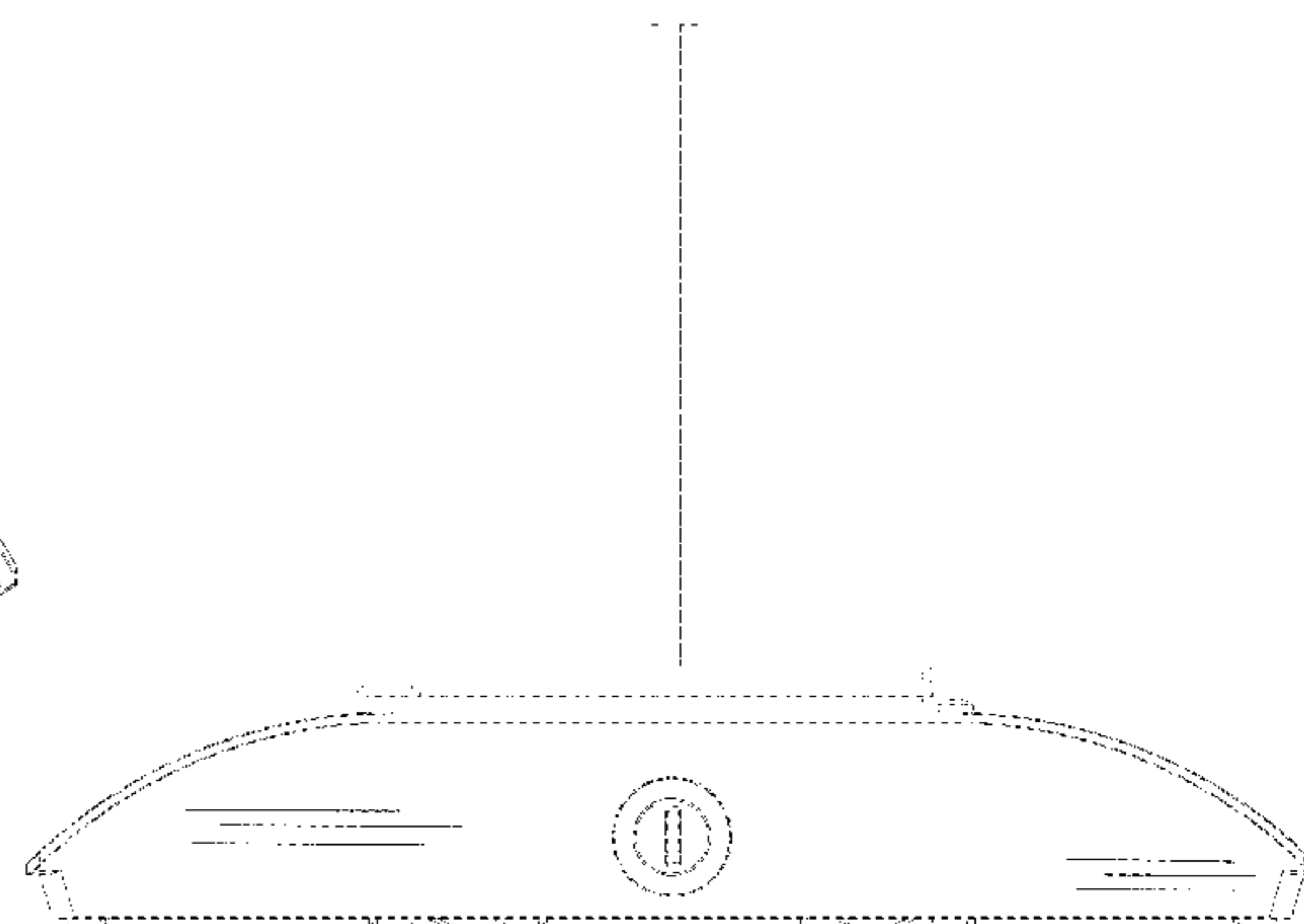
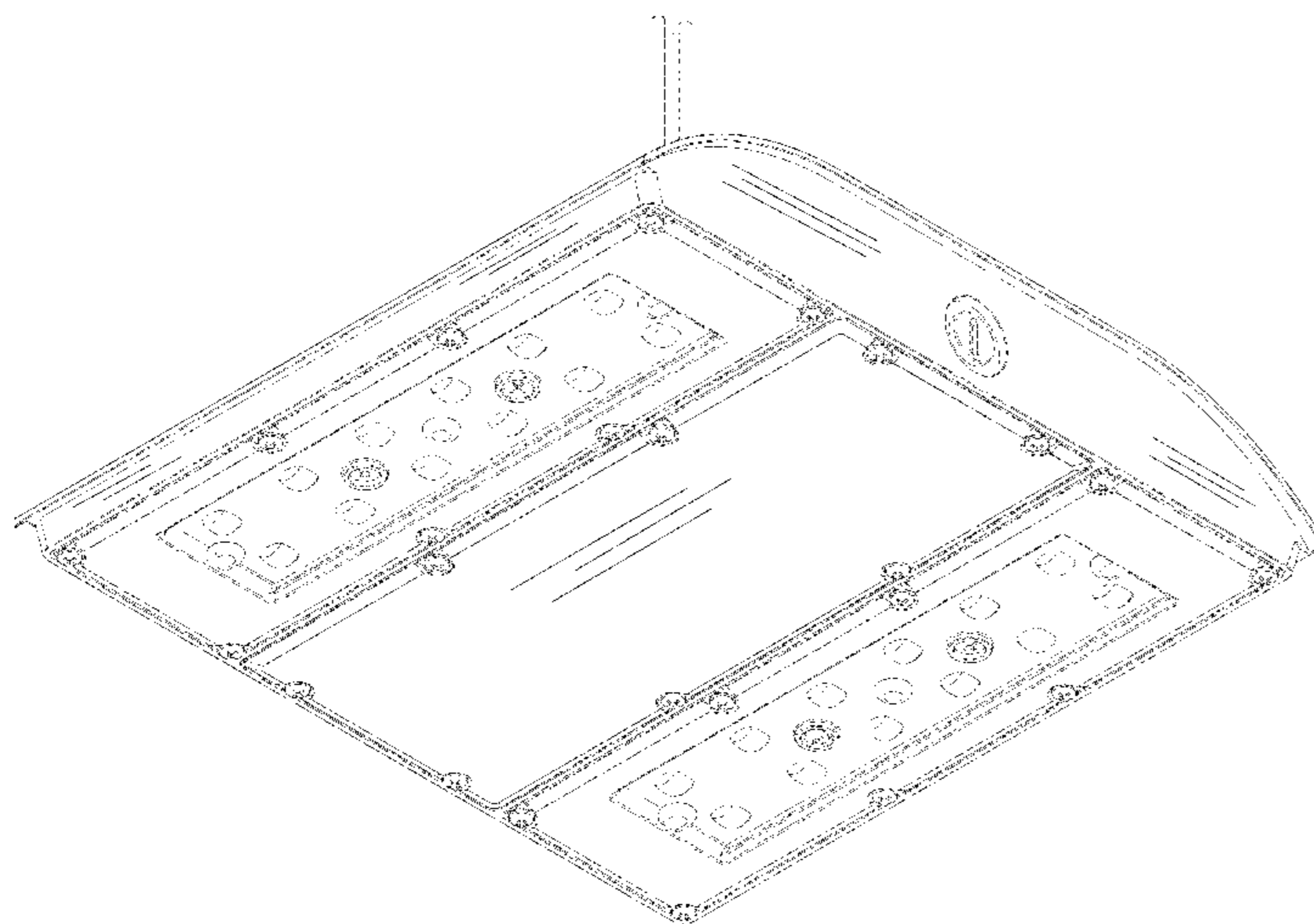
(57) **CLAIM**

The ornamental design for a canopy light fixture, as shown and described.

**DESCRIPTION**

FIG. 1 is a bottom perspective view of a canopy light fixture; FIG. 2 is a top perspective view thereof; FIG. 3 is a front elevational view thereof, the rear elevational view being a mirror image thereof; FIG. 4 is a left side elevational view thereof; FIG. 5 is a right side elevational view thereof; FIG. 6 is a top plan view thereof; and, FIG. 7 is a bottom plan view thereof. The broken lines represent elements which form no part of the claimed design.

**1 Claim, 7 Drawing Sheets**



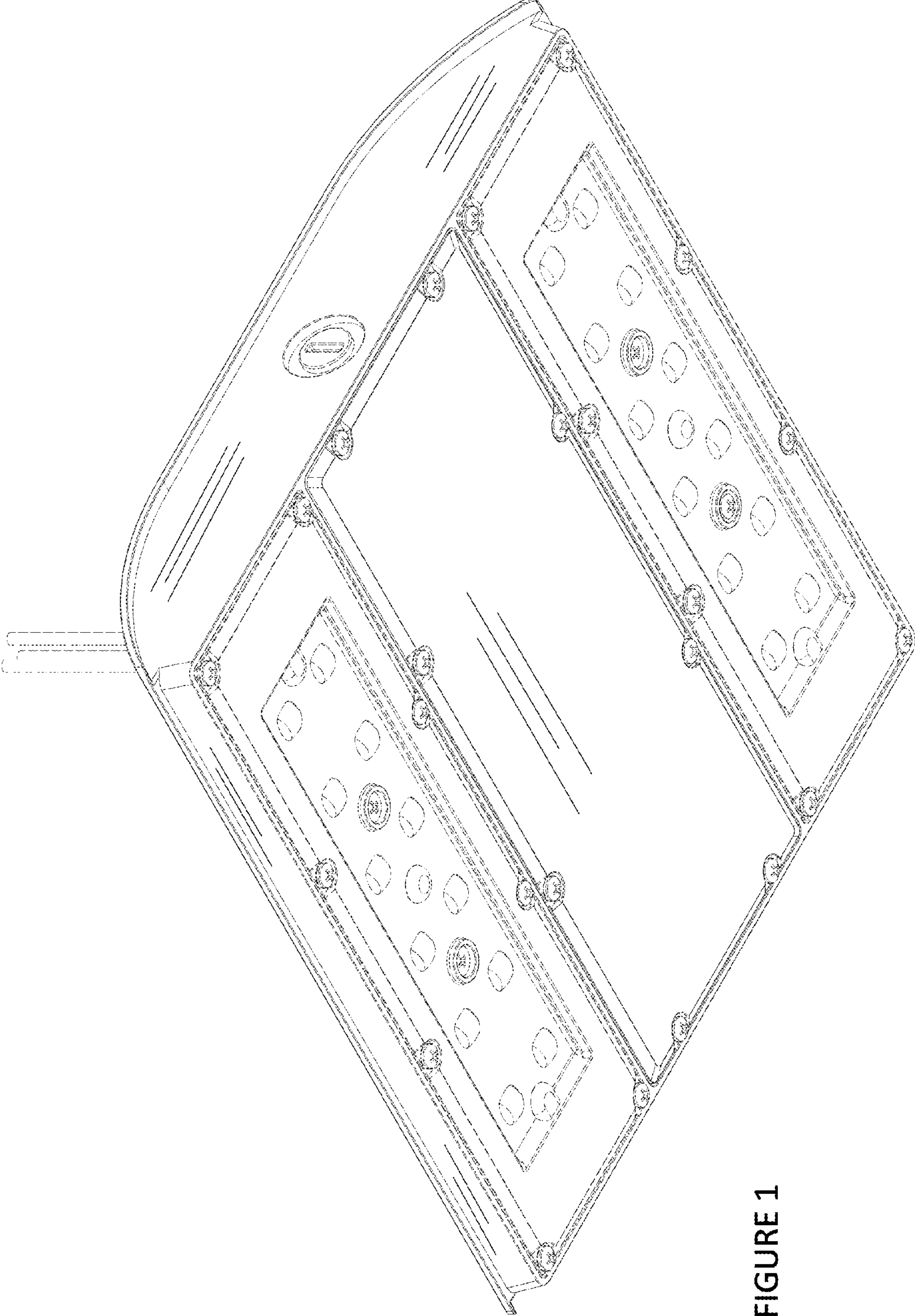


FIGURE 1



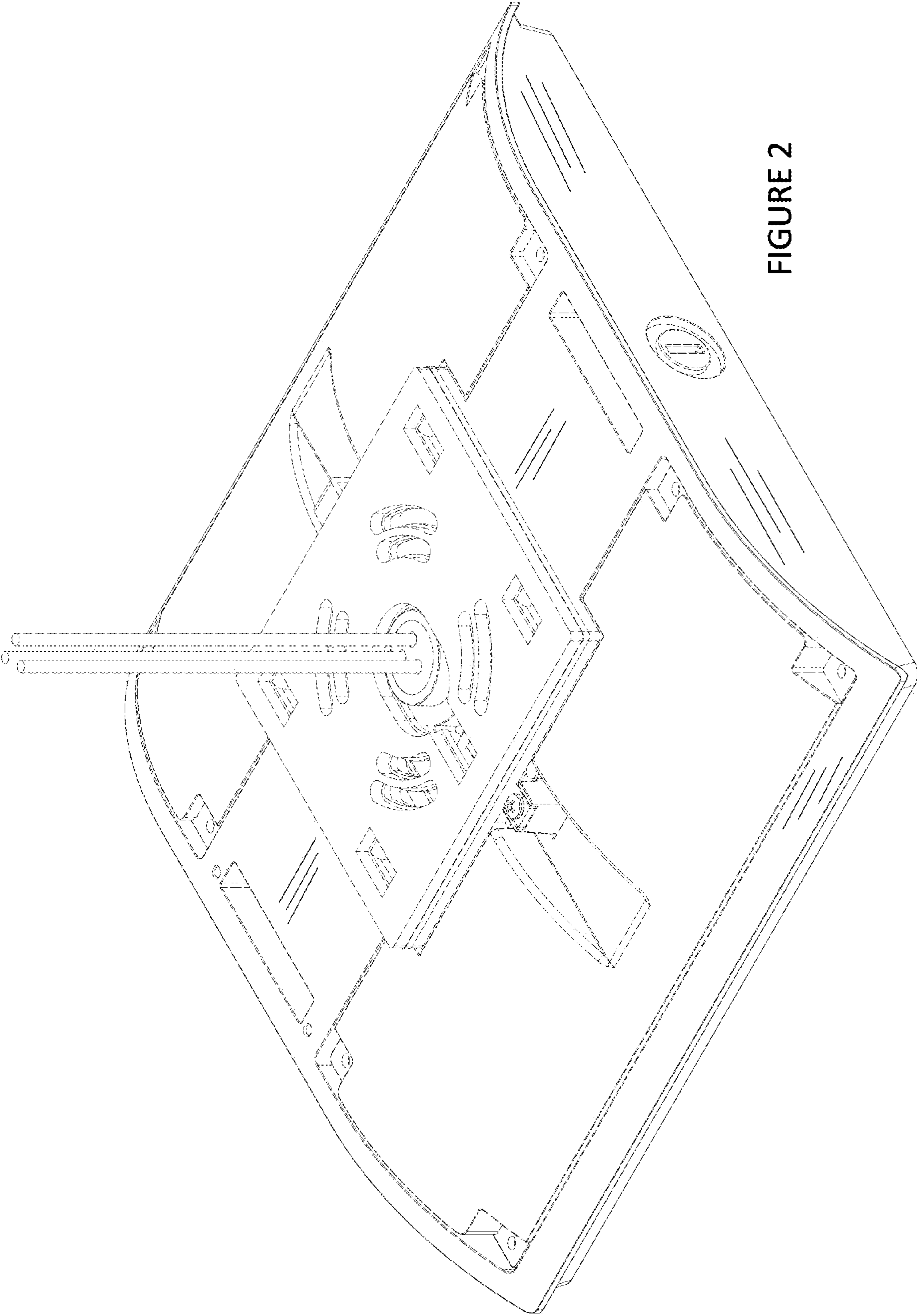


FIGURE 2

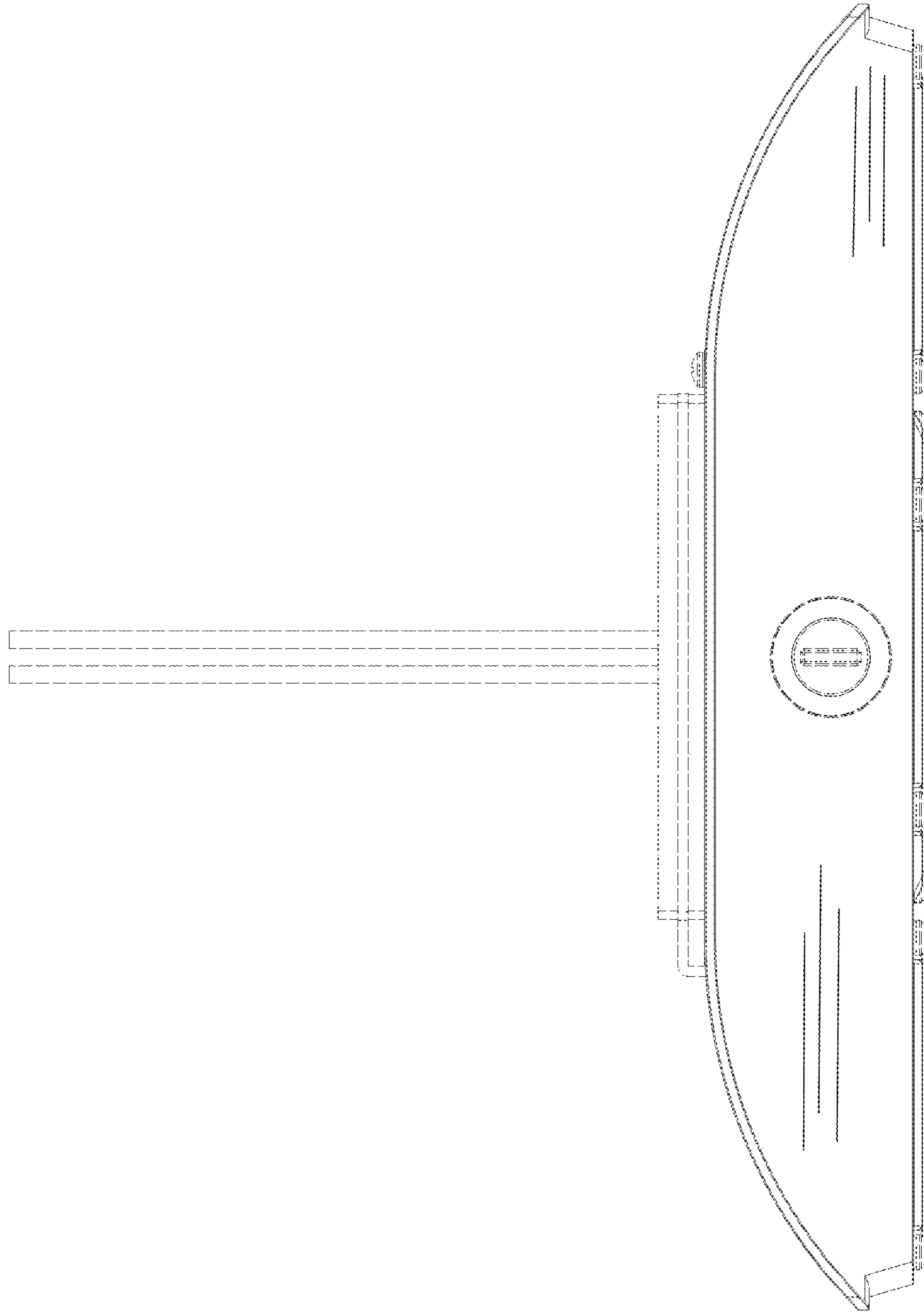


FIGURE 3

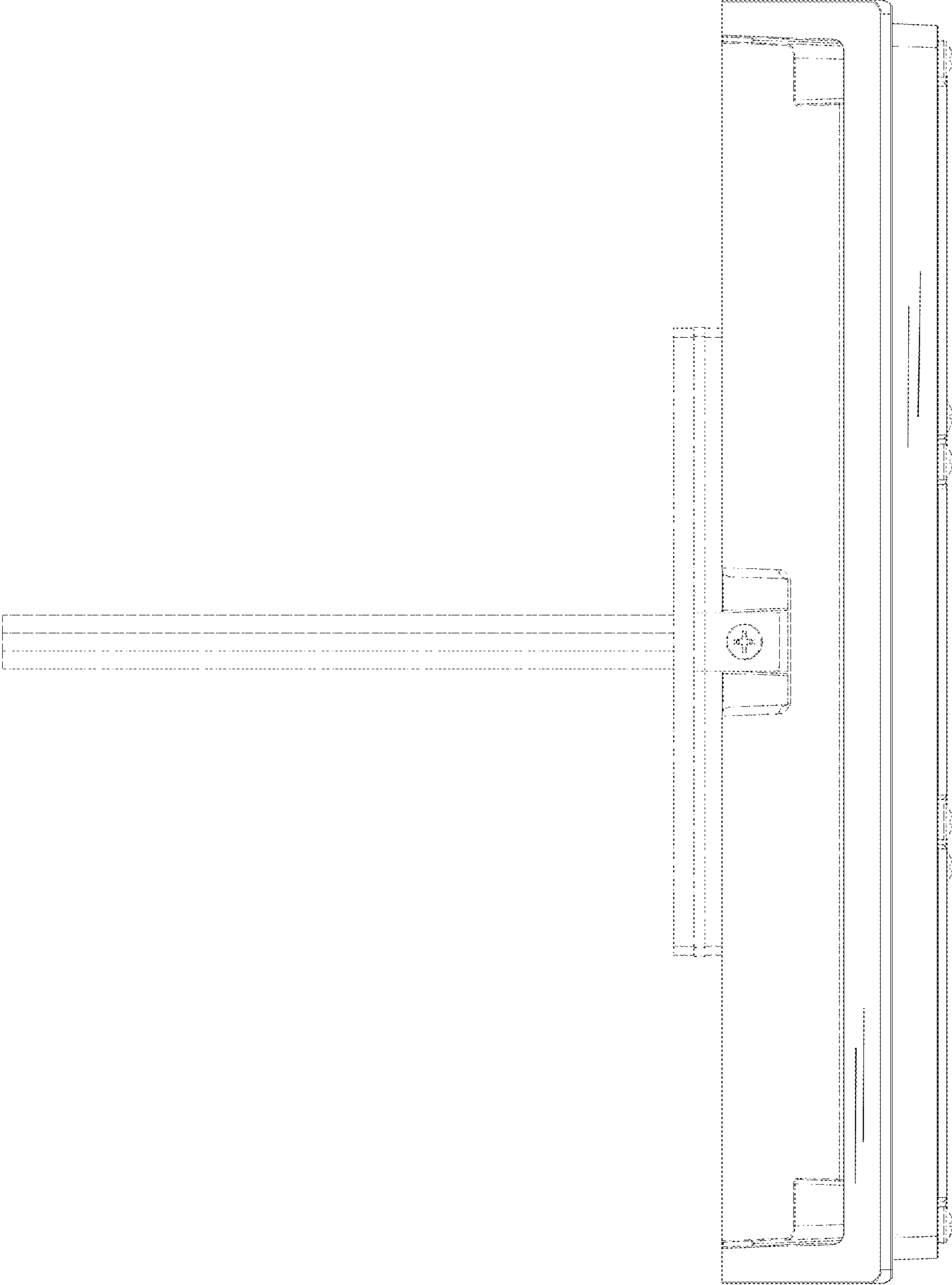


FIGURE 4

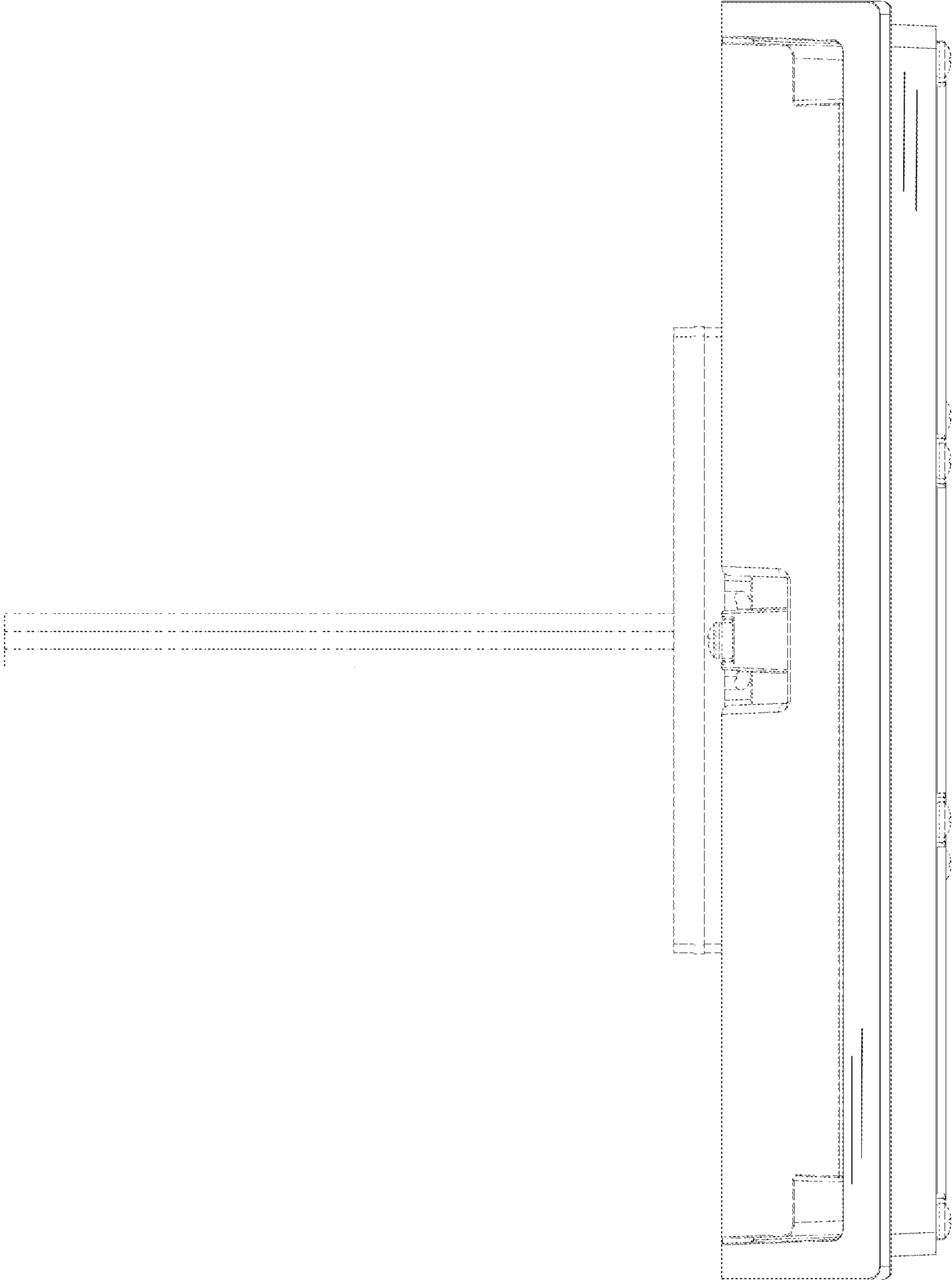


FIGURE 5

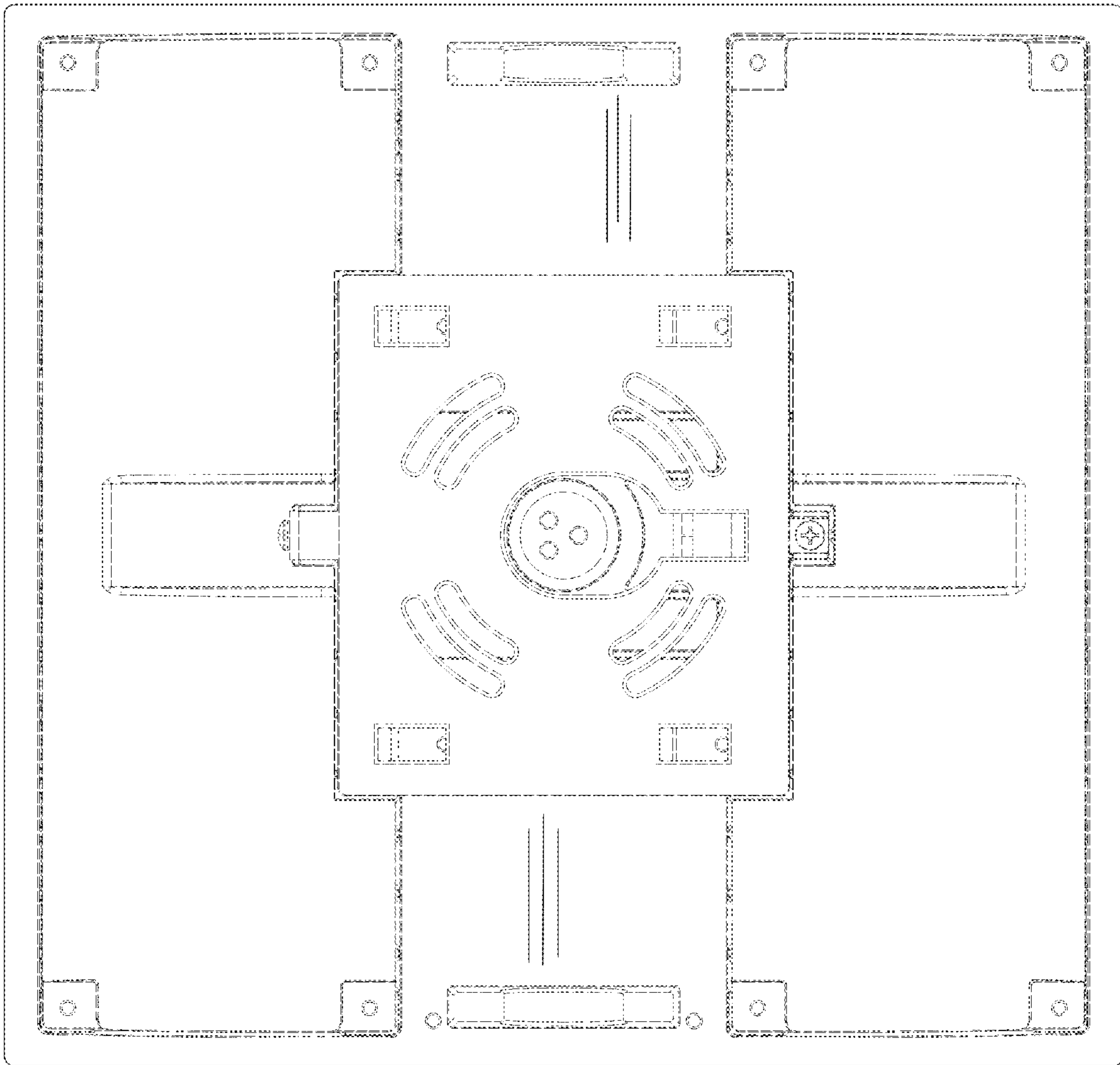


FIGURE 6

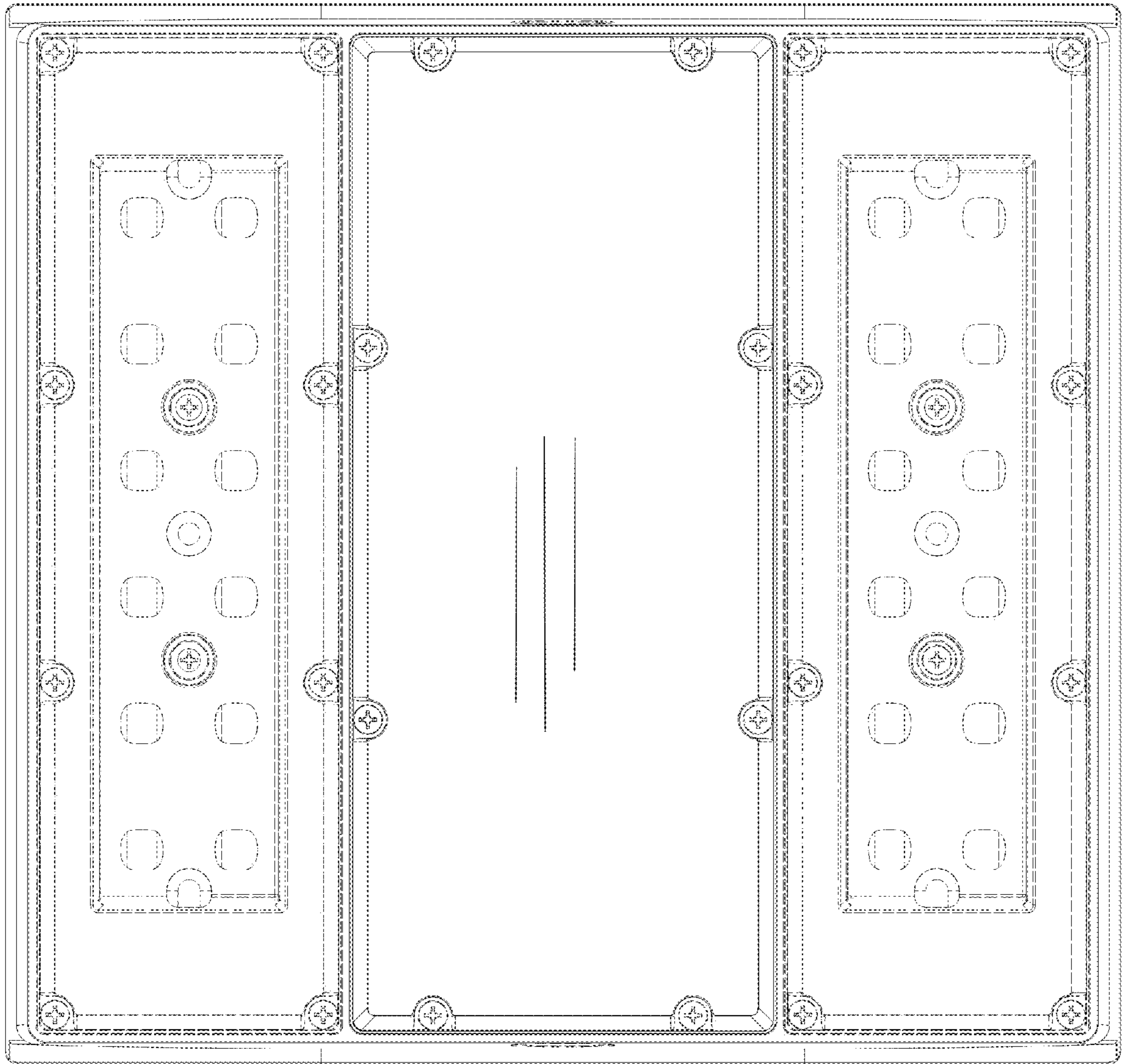


FIGURE 7