



US00D872338S

(12) **United States Design Patent**
Deng

(10) **Patent No.:** **US D872,338 S**
(45) **Date of Patent:** **** Jan. 7, 2020**

- (54) **EXPLOSION-PROOF LIGHT**
- (71) Applicant: **DONGGUAN PAN AMERICAN ELECTRONICS CO., LTD,**
Dongguan, Guangdong (CN)
- (72) Inventor: **Jinsheng Deng,** Dongguan (CN)
- (73) Assignee: **DONGGUAN PAN AMERICAN ELECTRONICS CO., LTD,**
Dongguan, Guangdong (CN)

D805,241 S * 12/2017 Fletcher D26/118
 D817,535 S * 5/2018 Feng D26/76
 D818,626 S * 5/2018 Park D26/76

(**) Term: **15 Years**

(21) Appl. No.: **29/641,566**

(22) Filed: **Mar. 22, 2018**

(51) **LOC (12) Cl.** **26-03**

(52) **U.S. Cl.**
USPC **D26/76; D26/72; D26/63**

(58) **Field of Classification Search**
 USPC D26/26, 61, 63, 67-72, 76, 80, 81,
 D26/85-88, 92, 154
 CPC F21S 8/032; F21S 8/04; F21S 8/043; F21S
 8/06; F21S 9/03; F21S 9/032; F21S
 9/035; F21S 9/037; F21W 2131/10;
 F21W 2131/103; F21W 2131/107; F21W
 2131/109; F21L 4/00; F21V 15/00; F21V
 15/01; F21V 15/04

See application file for complete search history.

(56) **References Cited**

U.S. PATENT DOCUMENTS

D744,690 S * 12/2015 Boyer D26/76
 D780,359 S * 2/2017 Chen D26/63

OTHER PUBLICATIONS

Hazardous Location Luminaire, Series US Warehouse, James Light-
ing, site visited Aug. 21, 2019, available online at <https://online.lighting/hazardous-locations-luminaires-i-series-us-warehouse-60w-i4.html> (Year: 2019).*

* cited by examiner

Primary Examiner — Cathron C Brooks

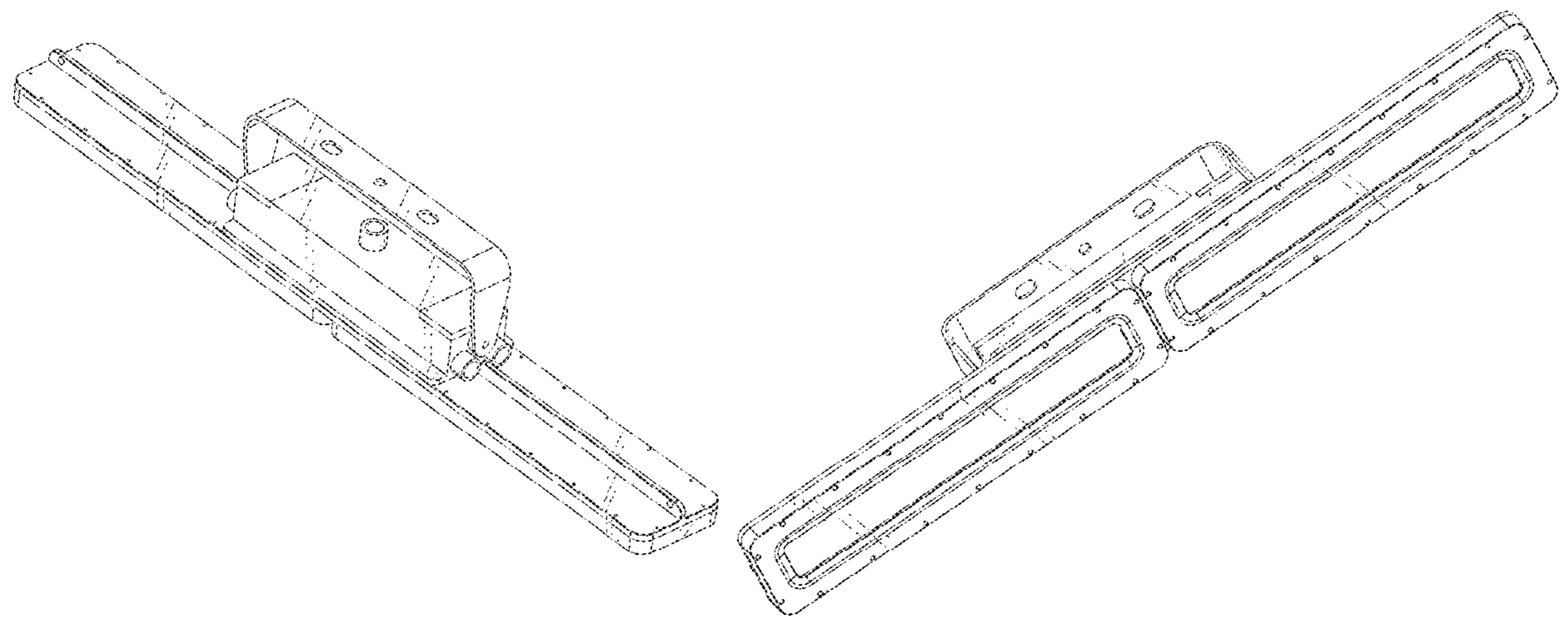
(57) **CLAIM**

The ornamental design for an explosion-proof light, as shown and described.

DESCRIPTION

FIG. 1 is a perspective view of an explosion-proof light showing my new design;
 FIG. 2 is a front elevation view thereof;
 FIG. 3 is a rear elevation view thereof;
 FIG. 4 is a left side elevation view thereof;
 FIG. 5 is right side elevation view thereof;
 FIG. 6 is a top plan view thereof;
 FIG. 7 is a bottom plan view thereof;
 FIG. 8 is another perspective view thereof;
 FIG. 9 is another perspective view showing the explosion-proof light installed on a light holder; and,
 FIG. 10 is a perspective view showing the explosion-proof light connected with hanging chains.
 The broken lines in the drawings illustrate environmental structure that forms part of the claimed design.

1 Claim, 9 Drawing Sheets



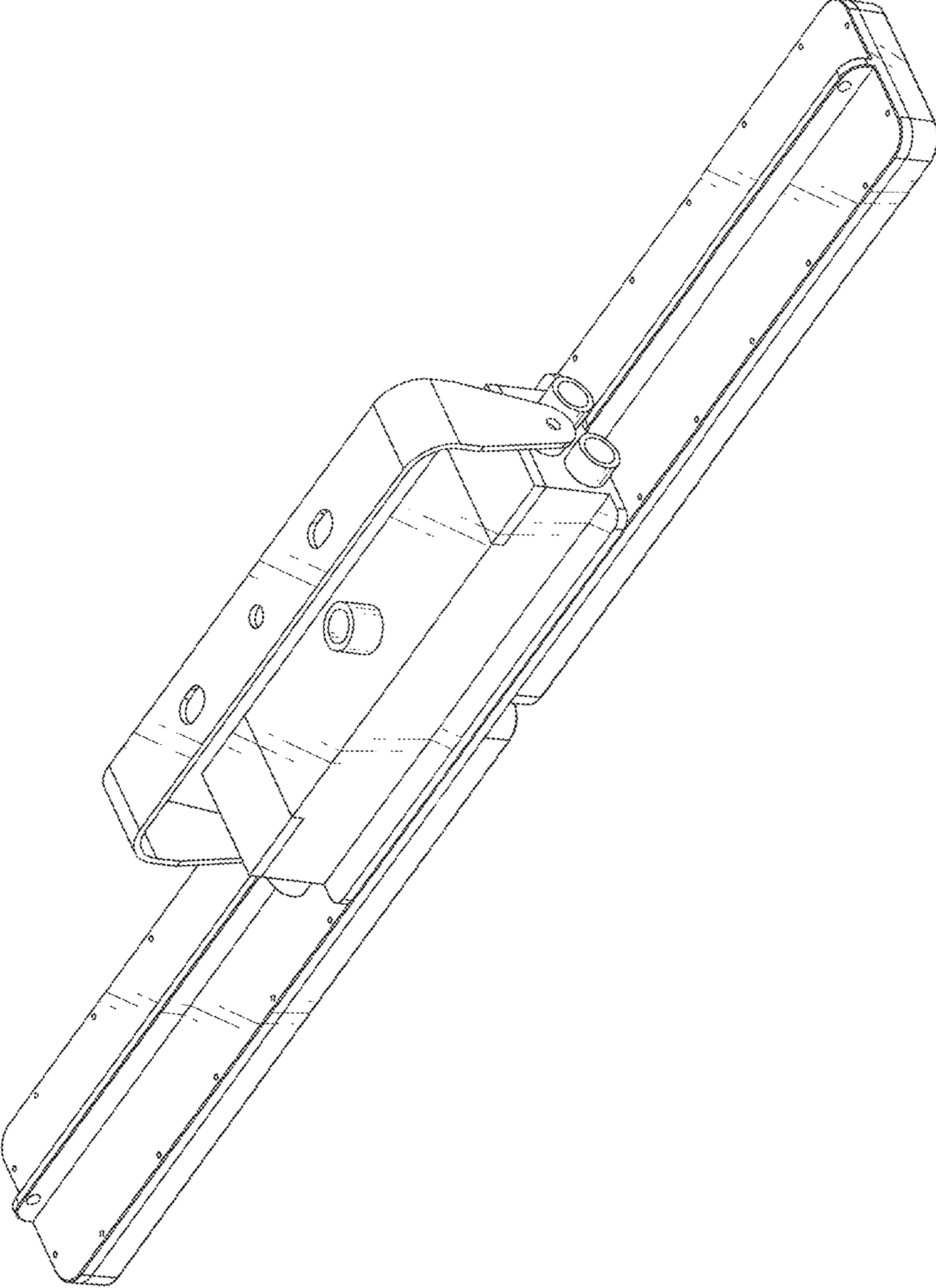


Fig.1

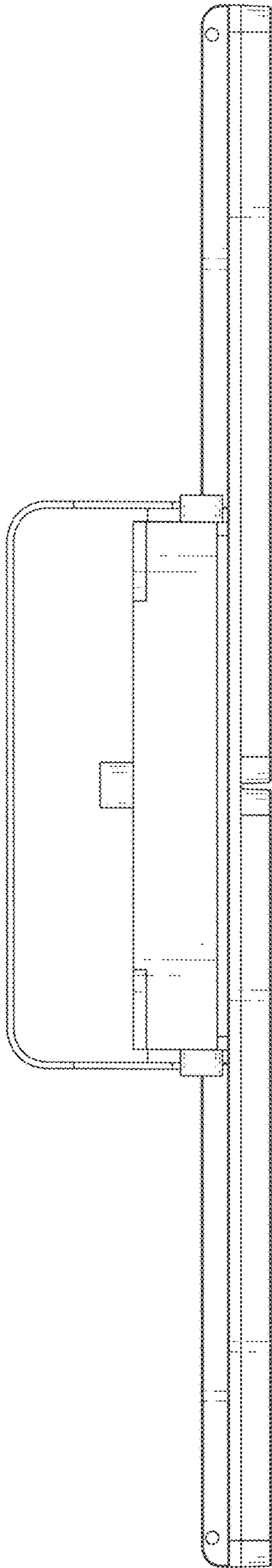


Fig. 2

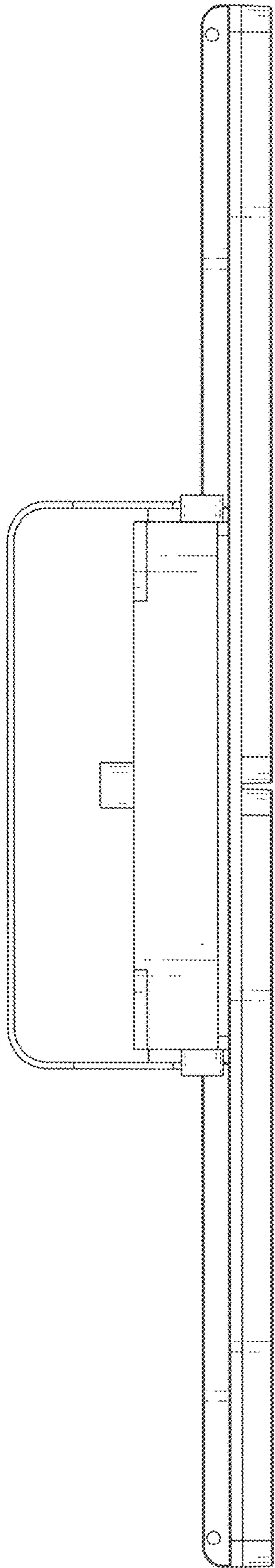


Fig. 3

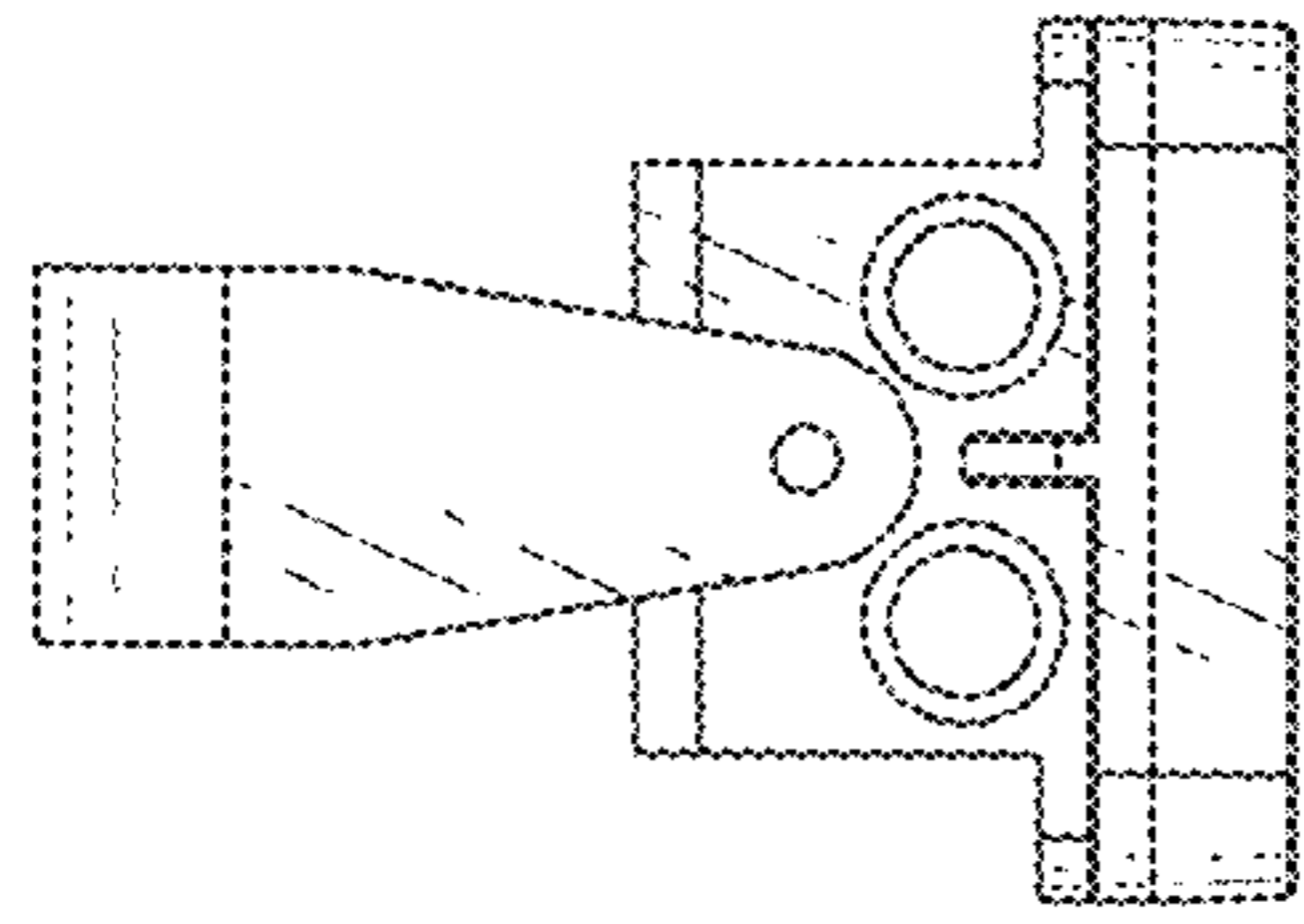


Fig. 5

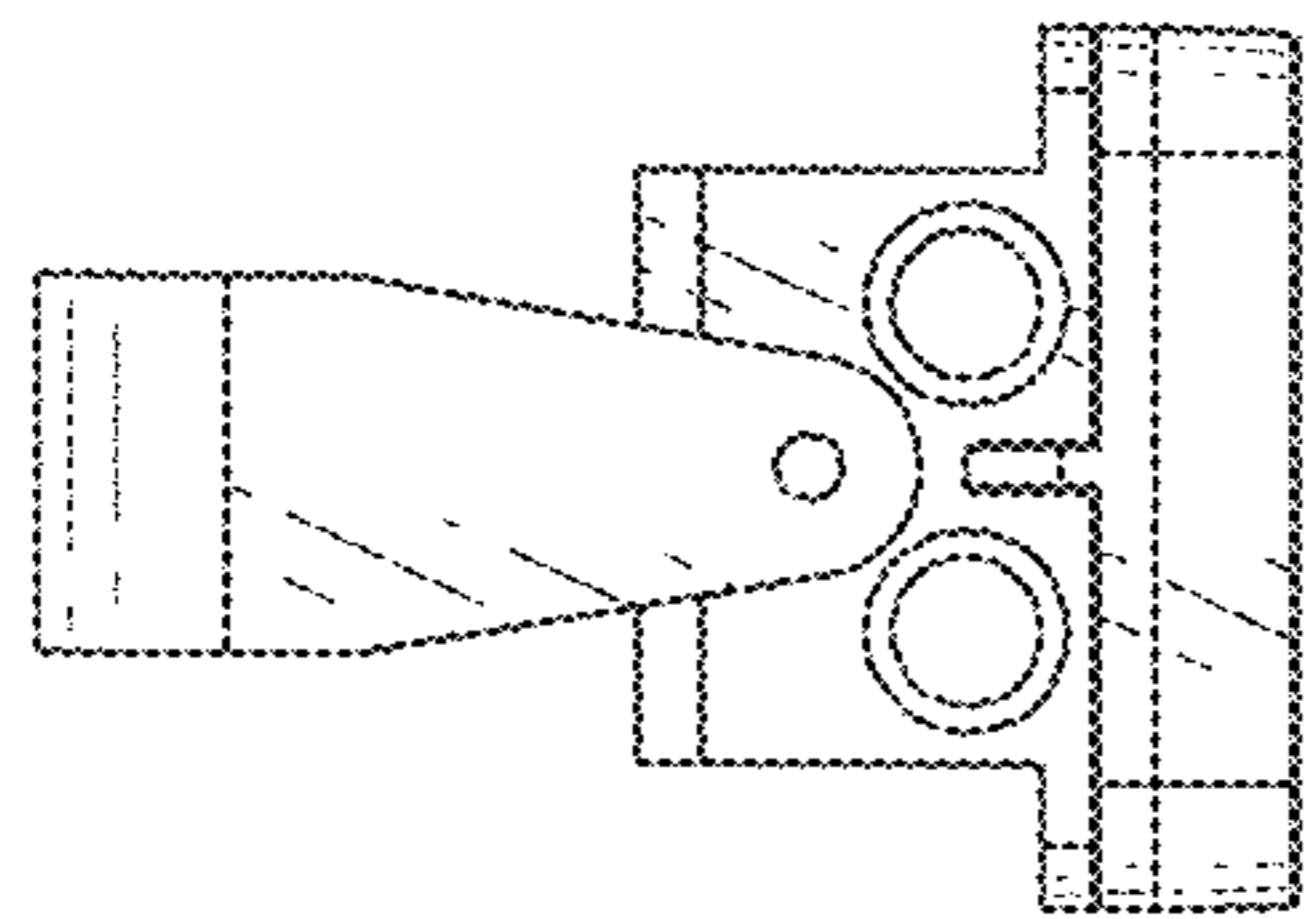


Fig. 4

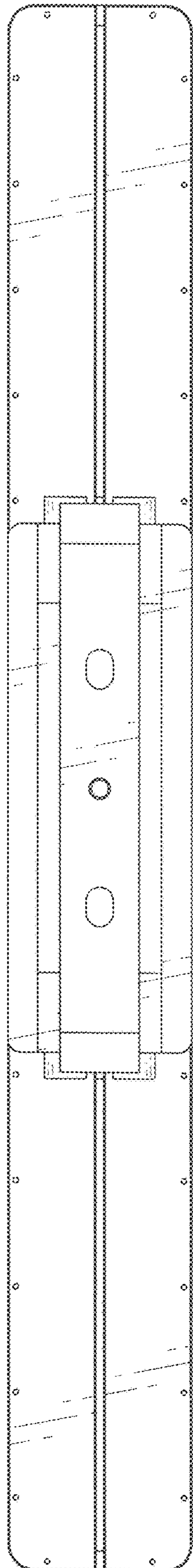


Fig.6

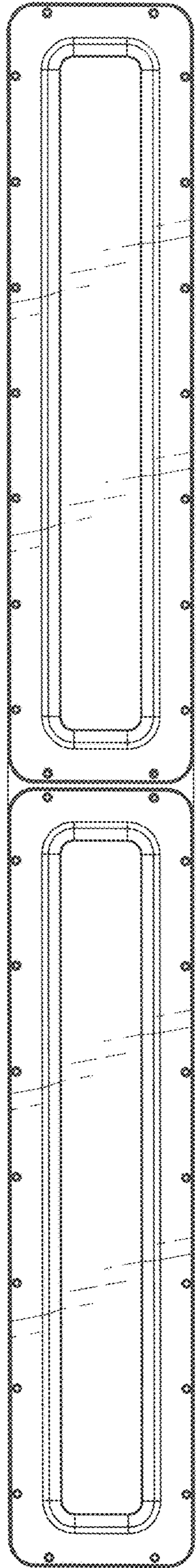


Fig. 7

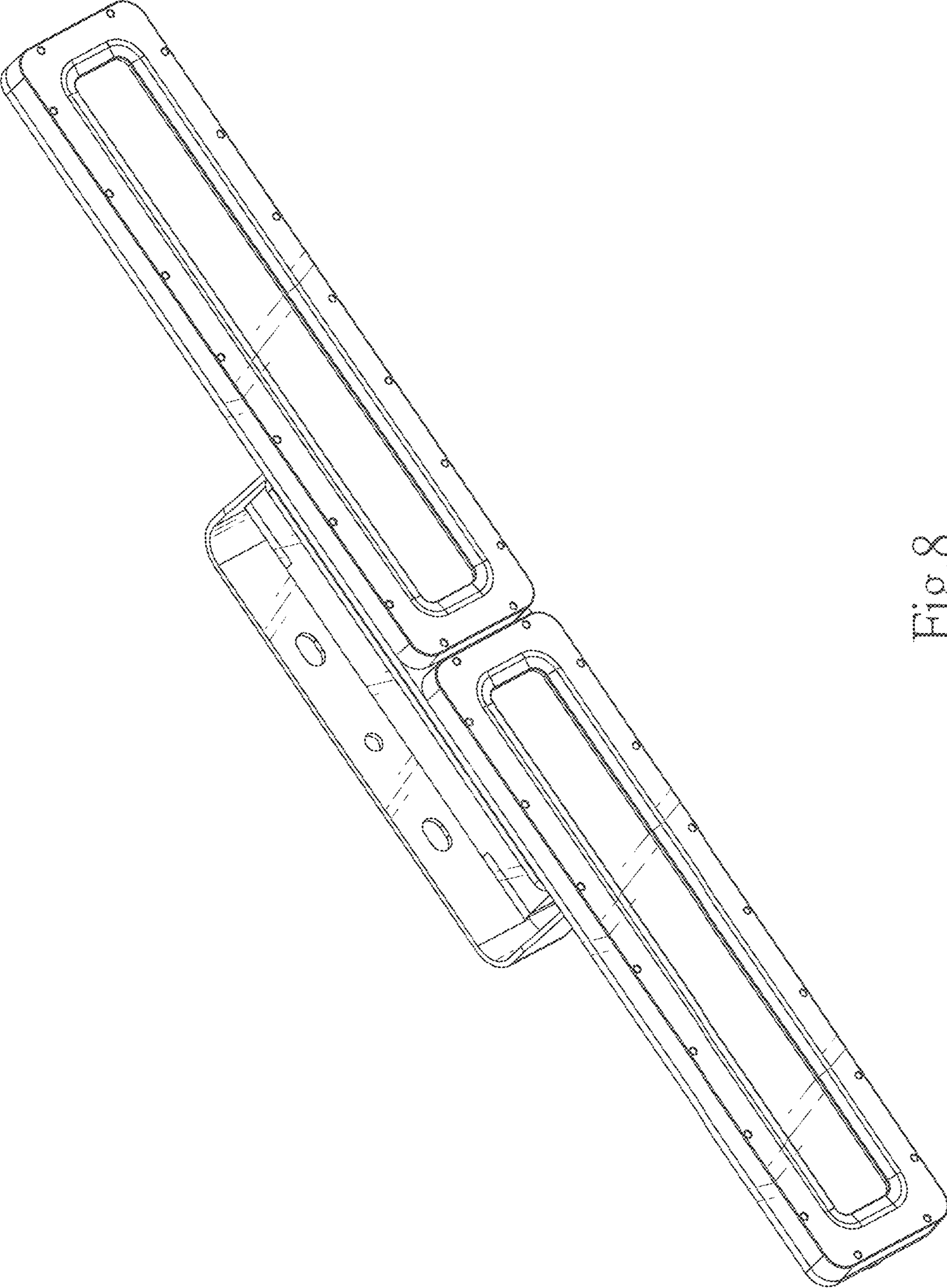


Fig. 8

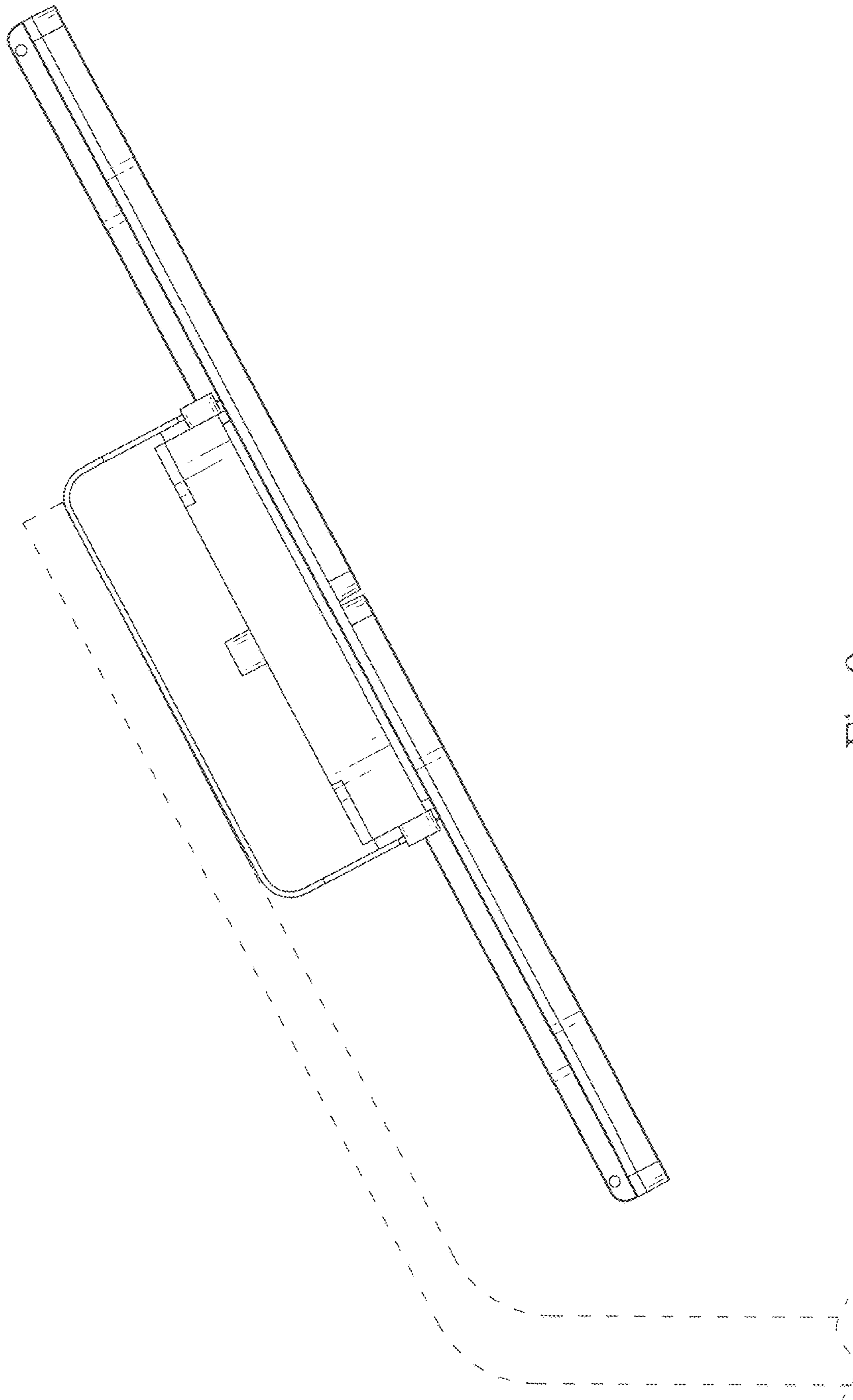


Fig.9

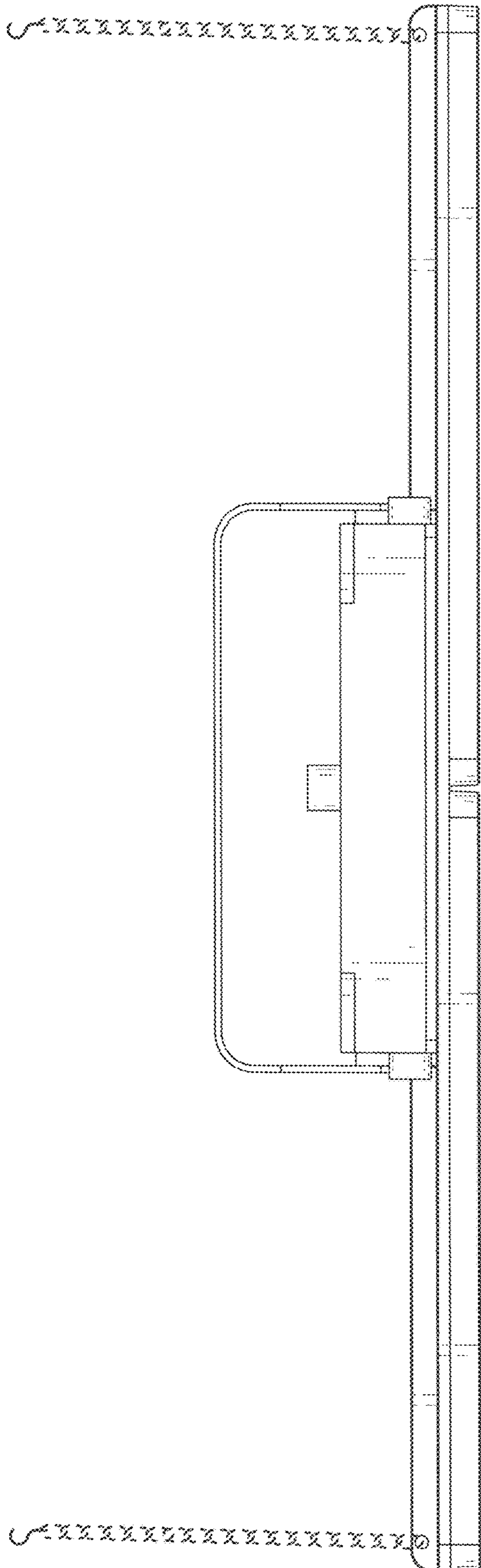


Fig. 10