



US00D872335S

(12) **United States Design Patent**
Xiao

(10) **Patent No.:** **US D872,335 S**

(45) **Date of Patent:** **** Jan. 7, 2020**

(54) **LED TABLE LAMP**

(71) Applicant: **Gang Xiao**, GuangDong (CN)

(72) Inventor: **Gang Xiao**, GuangDong (CN)

(**) Term: **15 Years**

(21) Appl. No.: **29/633,486**

(22) Filed: **Jan. 14, 2018**

(30) **Foreign Application Priority Data**

Sep. 28, 2017 (CN) 2017 3 0466851

(51) **LOC (12) Cl.** **26-03**

(52) **U.S. Cl.**
USPC **D26/65**

(58) **Field of Classification Search**

USPC D26/24, 61, 63, 65, 106-112
CPC F21V 21/14; F21V 15/01; F21V 14/02;
F21V 21/30; F21V 21/00; F21V 14/00;
F21S 8/00; F21S 8/003; F21S 8/043;
F21Y 2105/001

See application file for complete search history.

(56) **References Cited**

U.S. PATENT DOCUMENTS

D599,929 S * 9/2009 Huang D26/63
D619,746 S * 7/2010 Huang D26/63

D623,788 S * 9/2010 Huang D26/65
D641,916 S * 7/2011 Witsch D26/61
D654,199 S * 2/2012 Xie D26/63
D690,044 S * 9/2013 Ng D26/65
D753,861 S * 4/2016 Yong Joon D26/63
D758,631 S * 6/2016 Cai D26/63
D759,282 S * 6/2016 Lee D26/65
D804,071 S * 11/2017 Xu D26/63
D804,072 S * 11/2017 Xu D26/63
D804,697 S * 12/2017 Tang D26/63

* cited by examiner

Primary Examiner — Brian N. Vinson

(74) *Attorney, Agent, or Firm* — Gokalp Bayramoglu

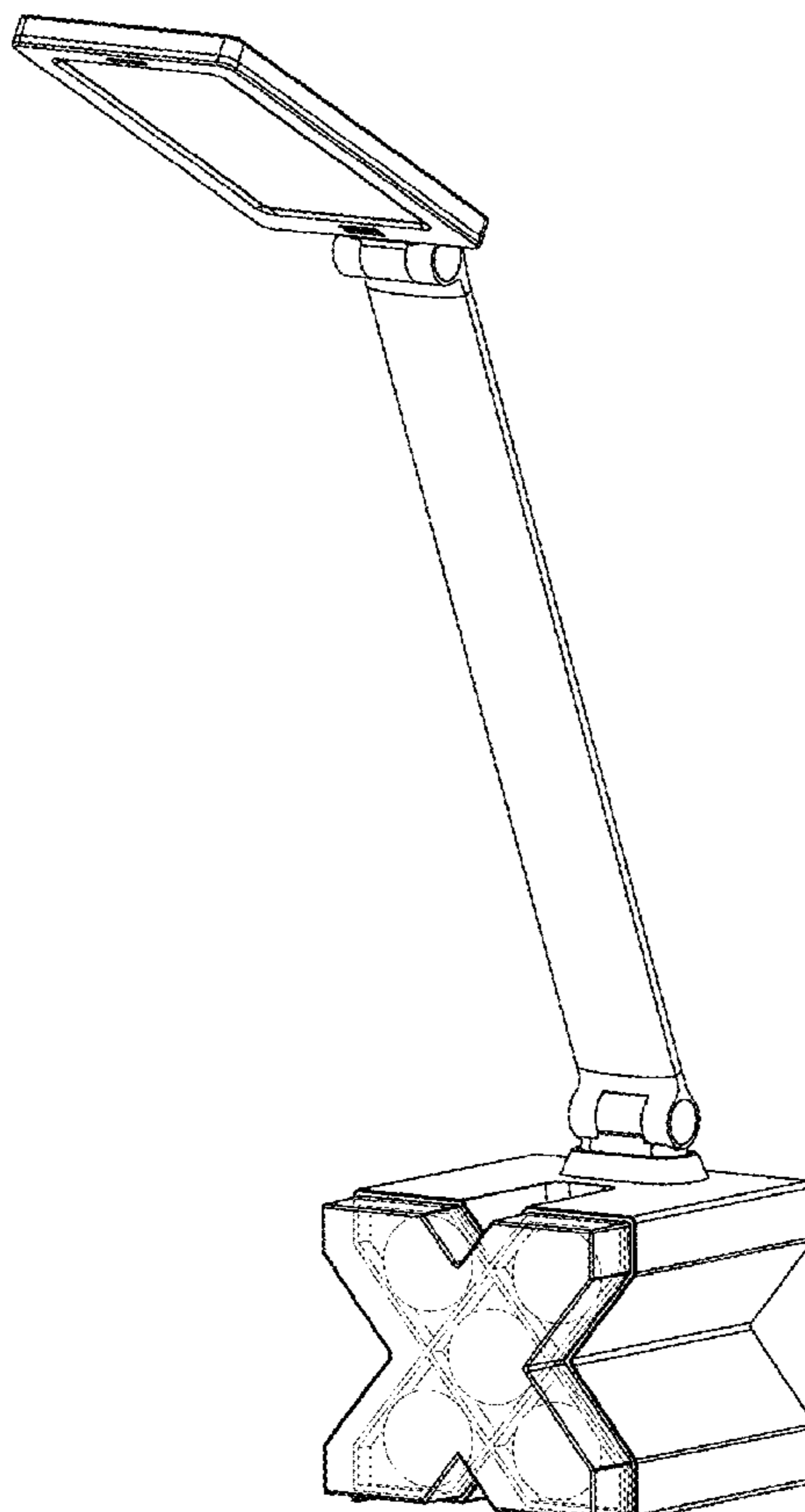
(57) **CLAIM**

The ornamental design for a LED table lamp, as shown and described.

DESCRIPTION

FIG. 1 is a front elevational view of a LED table lamp showing my new design;
FIG. 2 is a rear elevational view thereof;
FIG. 3 is a left side elevational view thereof;
FIG. 4 is a right side elevational view thereof;
FIG. 5 is a top plan view thereof;
FIG. 6 is a bottom plan view thereof; and,
FIG. 7 is a perspective view thereof.

1 Claim, 7 Drawing Sheets



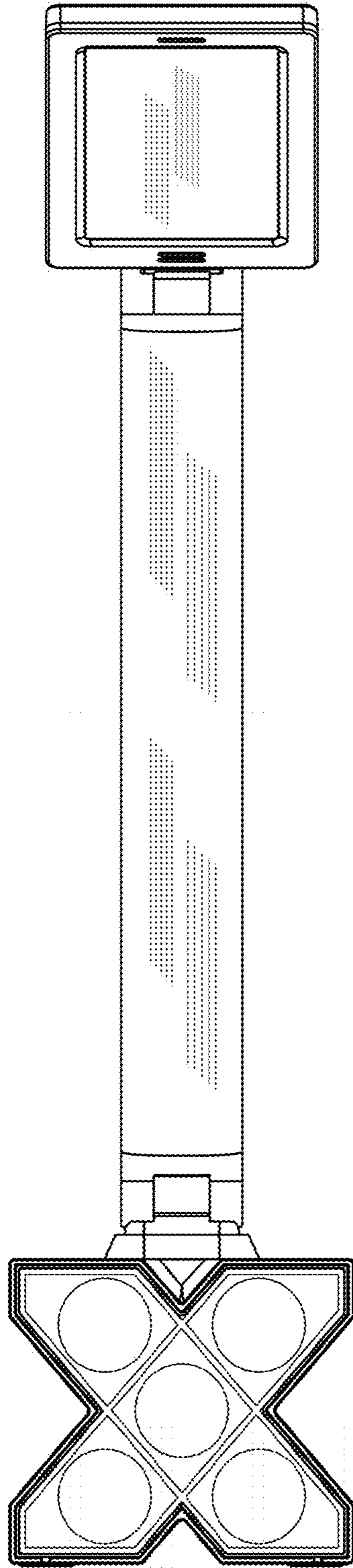


FIG. 1

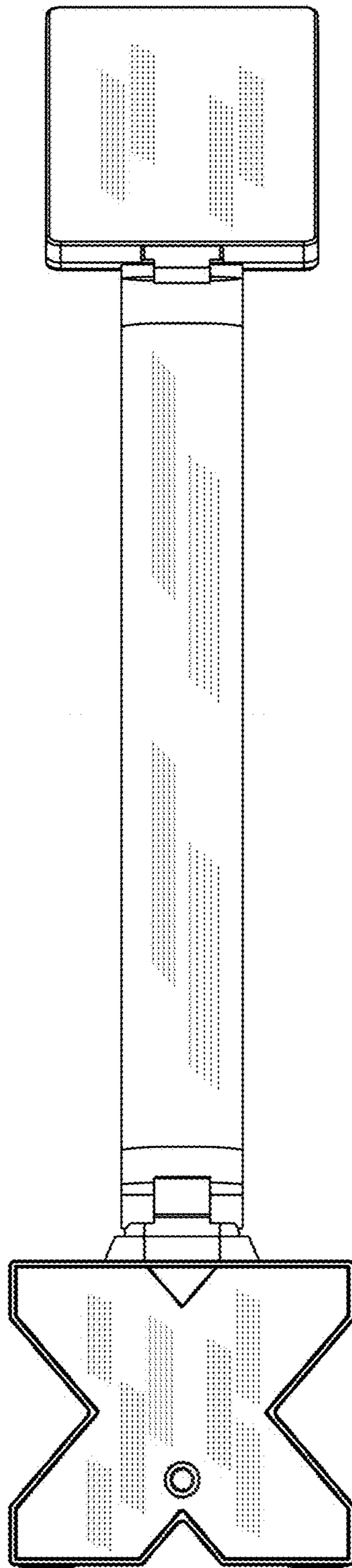


FIG.2

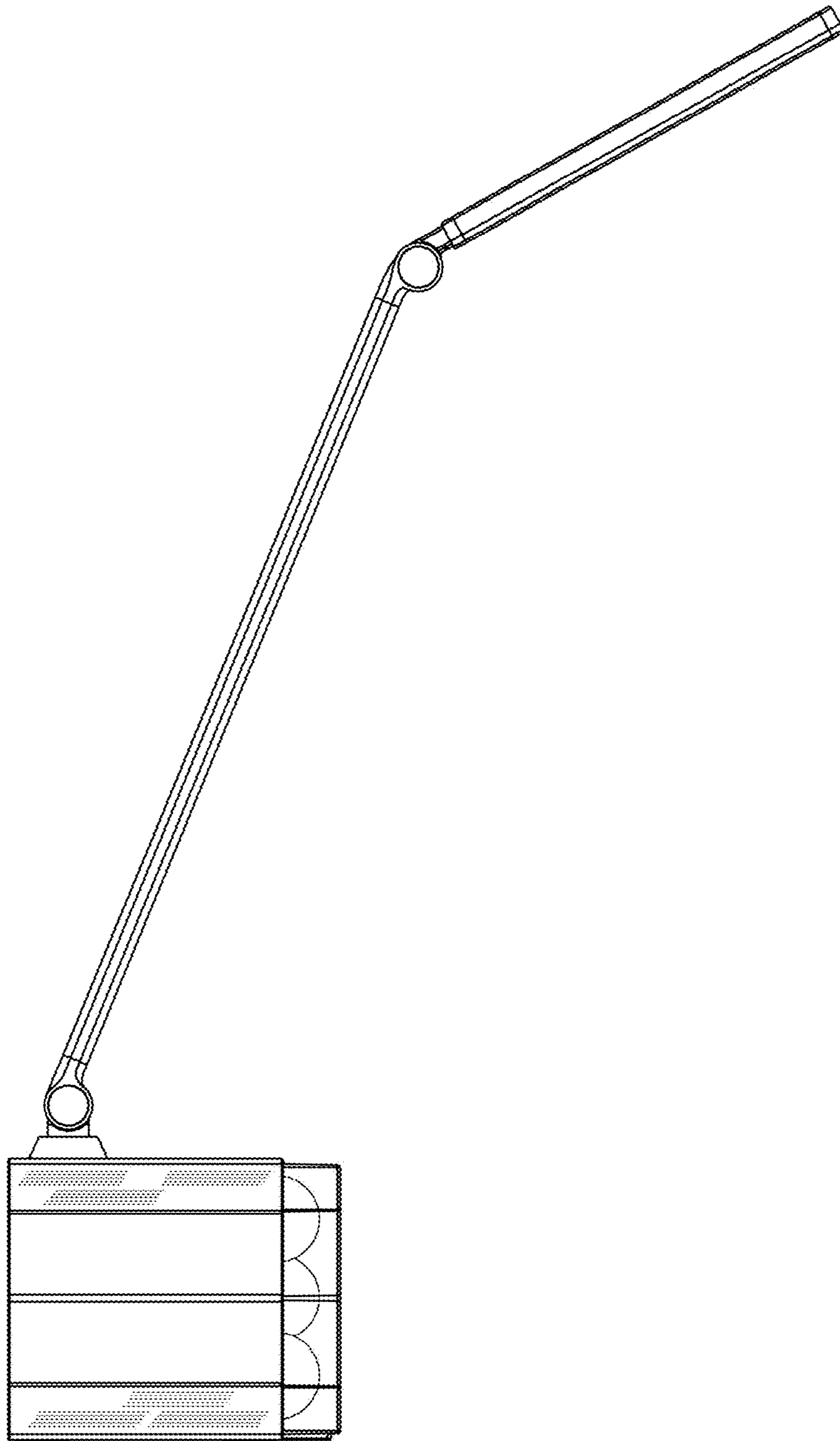


FIG. 3

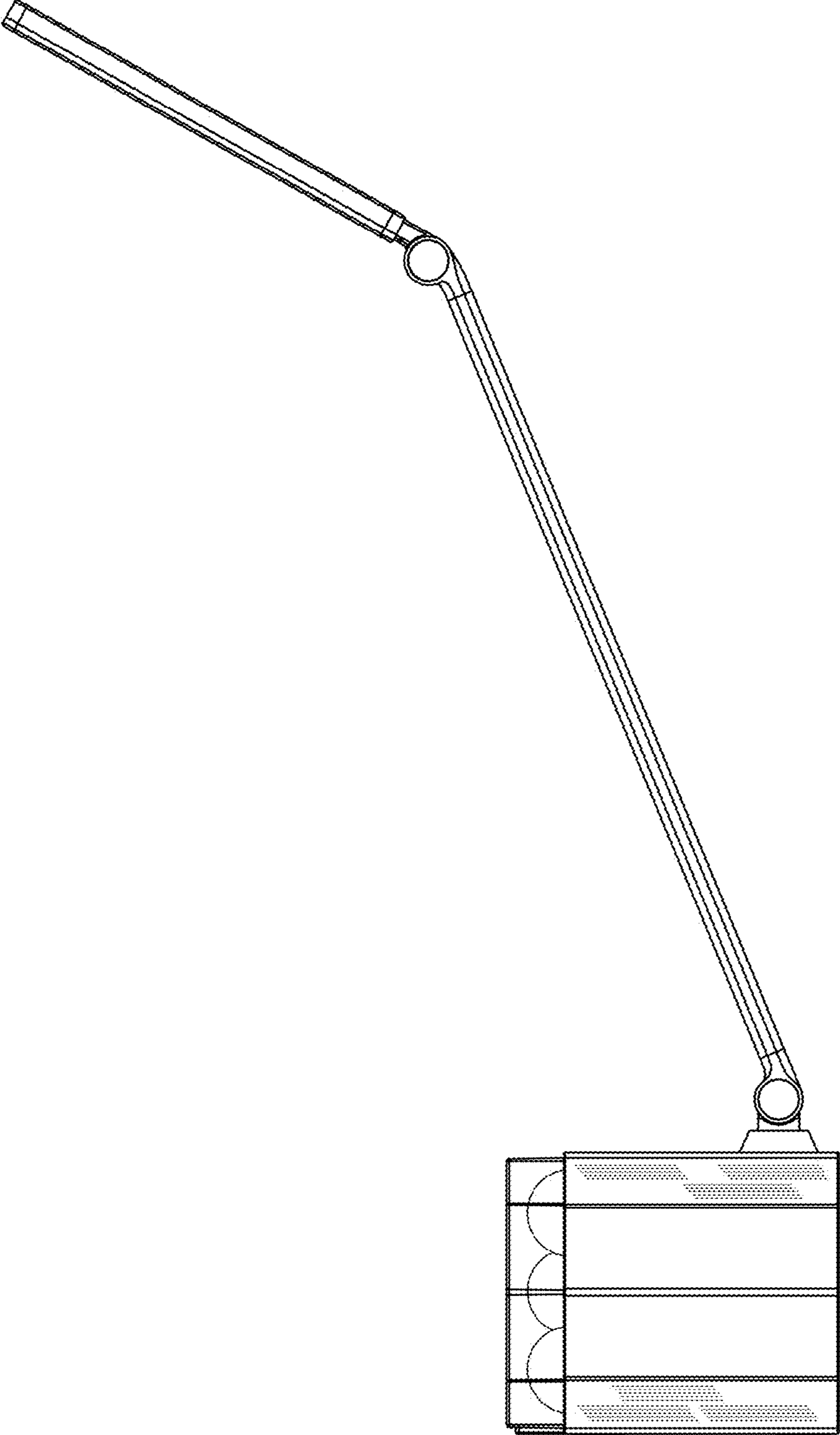


FIG. 4

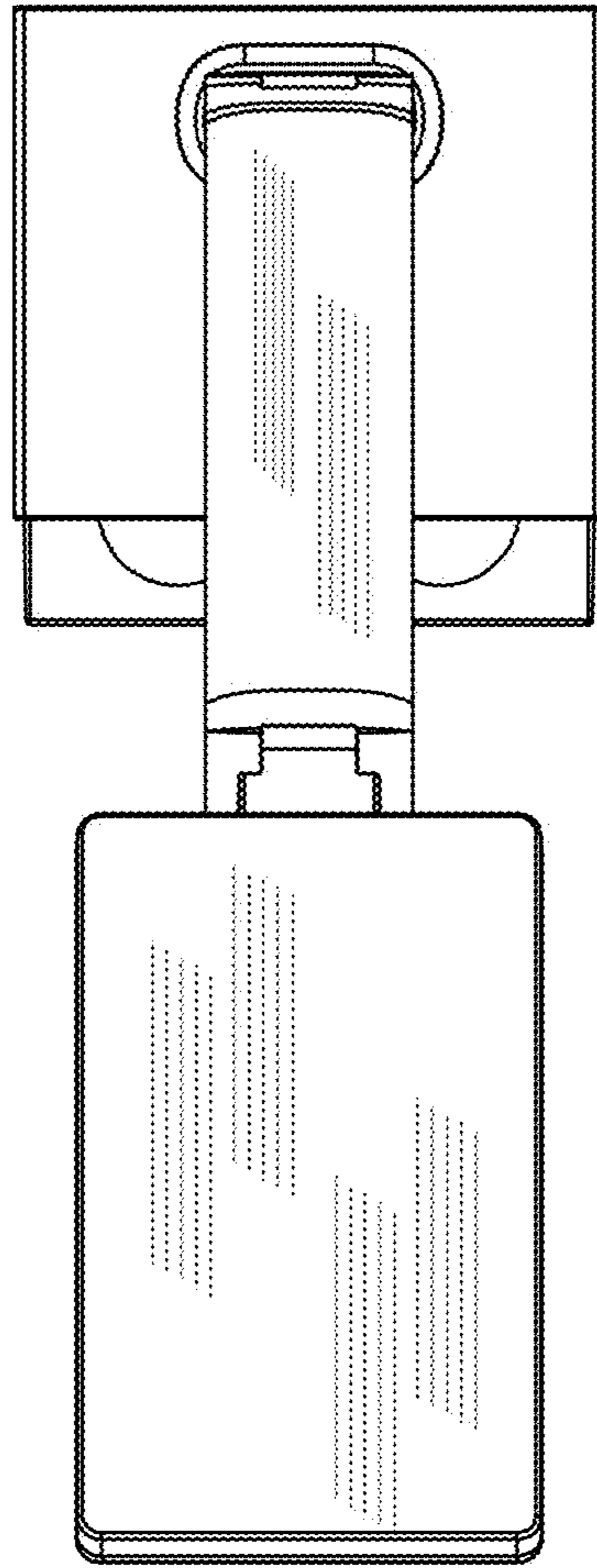


FIG. 5

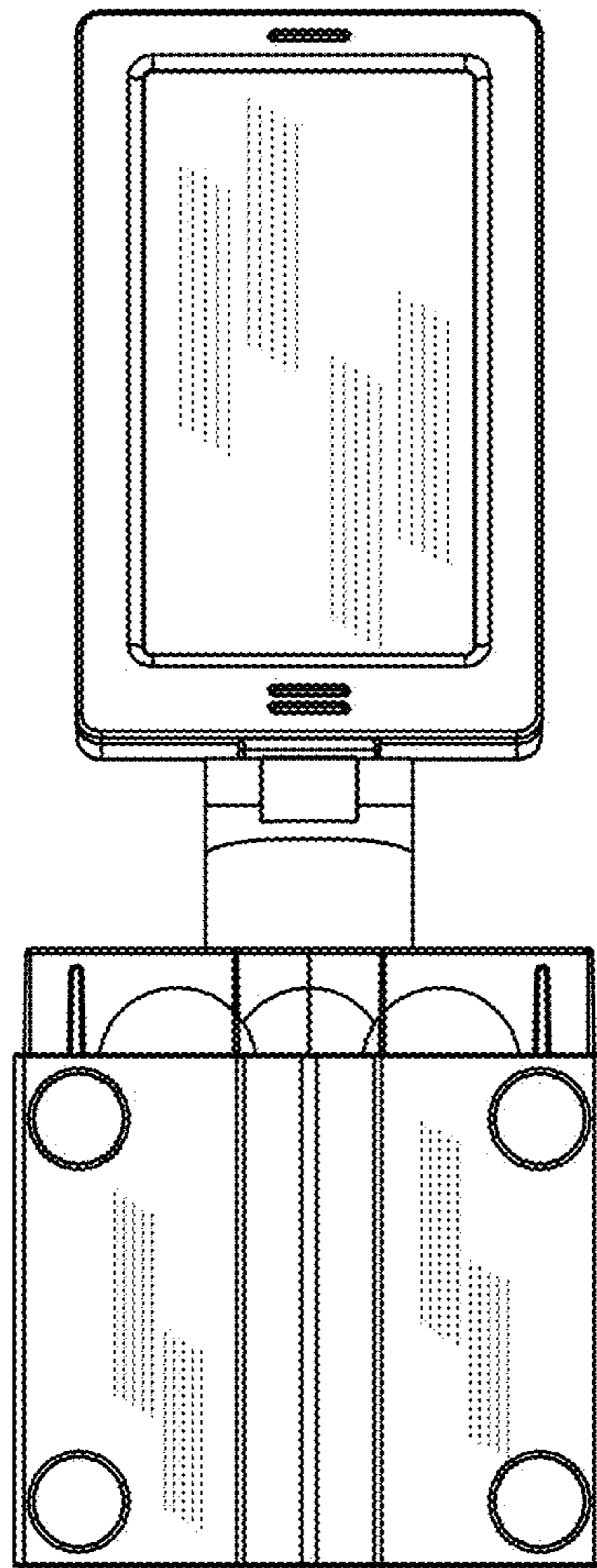


FIG. 6

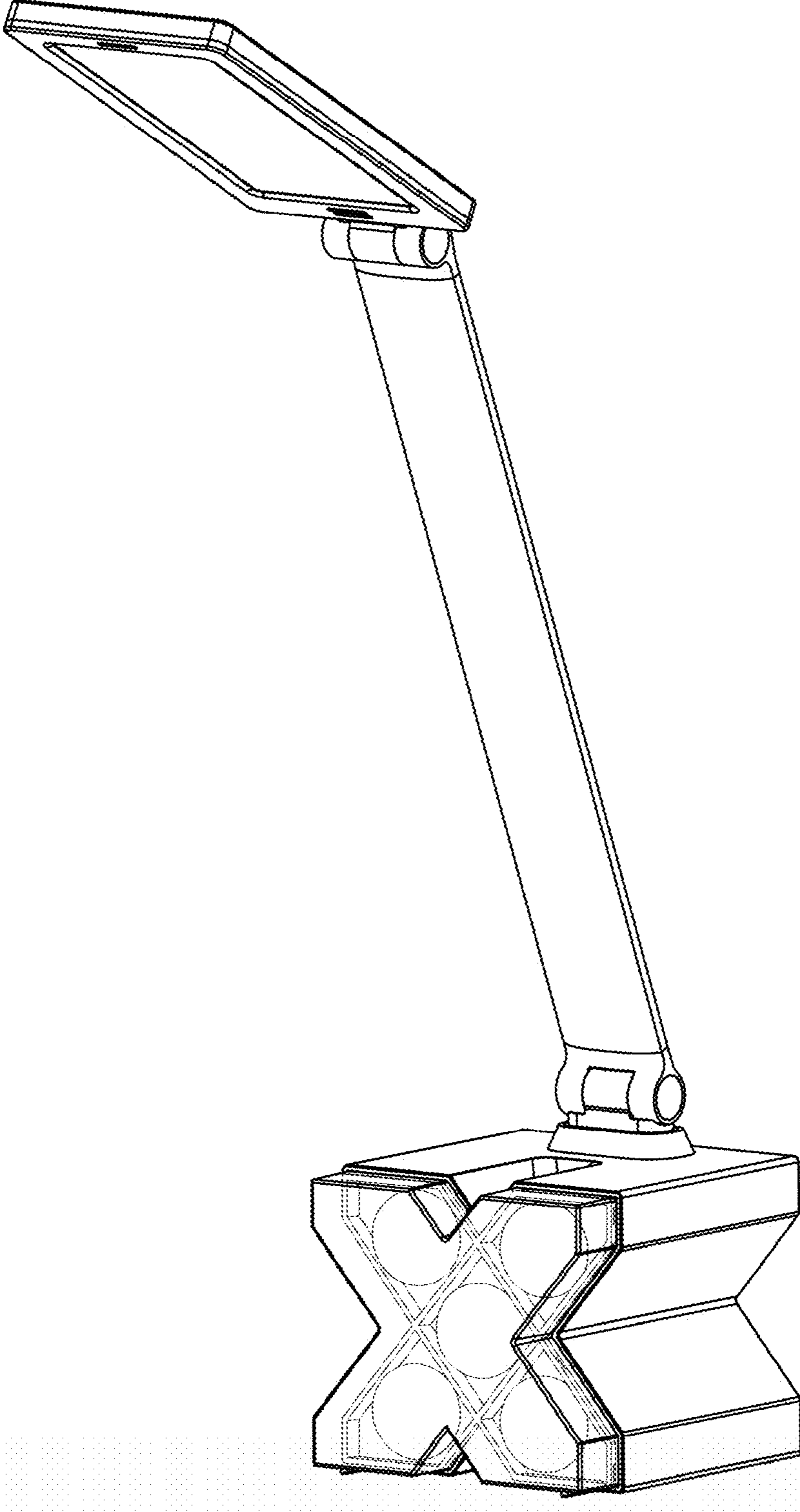


FIG. 7