



US00D872333S

(12) **United States Design Patent** (10) **Patent No.:** **US D872,333 S**
Yu (45) **Date of Patent:** **** Jan. 7, 2020**

(54) **CUPCAKE STAND AMBIENT LIGHT**

(71) Applicant: **Yanhong Yu**, Jiangmen (CN)

(72) Inventor: **Yanhong Yu**, Jiangmen (CN)

(**) Term: **15 Years**

(21) Appl. No.: **29/703,678**

(22) Filed: **Aug. 29, 2019**

(51) **LOC (12) Cl.** **26-05**

(52) **U.S. Cl.**
USPC **D26/51**

(58) **Field of Classification Search**
USPC D26/1, 24, 51, 58, 60, 72, 80, 93;
D7/610

CPC F21S 8/03; F21S 8/031; F21S 8/04; F21W
2121/02; F21W 2131/405

See application file for complete search history.

(56) **References Cited**

U.S. PATENT DOCUMENTS

D208,474 S *	9/1967	Curl	D26/1
D285,159 S *	8/1986	Wexler	D7/610
D560,974 S	2/2008	Goode et al.		
D566,861 S *	4/2008	Takada	D26/1
D581,081 S *	11/2008	Mier-Langner	D26/72
D614,002 S	4/2010	Heap		
D621,081 S *	8/2010	Abernethy	D26/60
D667,968 S *	9/2012	Shin	D26/1
D770,862 S *	11/2016	Subotic	D7/610
D828,606 S *	9/2018	Johnson	D26/80
2006/0250789 A1 *	11/2006	Coushaine	F21S 9/02 362/157
2007/0047224 A1 *	3/2007	Lee	F21S 9/02 362/132
2009/0059576 A1 *	3/2009	Coushaine	F21L 4/02 362/205
2009/0097238 A1 *	4/2009	Cousaine	F21S 9/02 362/191

2009/0279298 A1 *	11/2009	Mier-Langner	F21V 21/096 362/235
2011/0128723 A1 *	6/2011	Coleman	F21V 21/096 362/183
2017/0248291 A1 *	8/2017	Hsu	F21V 19/02

OTHER PUBLICATIONS

Under Vase Led Battery Operated 9pc White LED Light by Kitosun, found at pamperanddelight.co.uk visited Nov. 6, 2019. (Year: 2019).*

(Continued)

Primary Examiner — Clare E Heflin

(74) *Attorney, Agent, or Firm* — Wayne V. Harper

(57) **CLAIM**

I claim the ornamental design for a cupcake stand ambient light, as shown and described.

DESCRIPTION

FIG. 1 is a perspective view of a cupcake stand ambient light showing my new design;

FIG. 2 is a top view of the cupcake stand ambient light of FIG. 1;

FIG. 3 is a bottom view of the cupcake stand ambient light of FIG. 1;

FIG. 4 is a front view of the cupcake stand ambient light of FIG. 1;

FIG. 5 is a back view of the cupcake stand ambient light of FIG. 1;

FIG. 6 is a left side of the cupcake stand ambient light of FIG. 1;

FIG. 7 is right side view of the cupcake stand ambient light of FIG. 1; and,

FIG. 8 is another perspective view of the cupcake stand ambient light of FIG. 1.

The broken lines on the drawings depict environment only and form no part of the claimed design.

1 Claim, 6 Drawing Sheets



(56)

References Cited

OTHER PUBLICATIONS

Kitosun 4inch Uplight Lamp Round LED Base Vase Light sold at amazon.com as early as Dec. 14, 2018. (Year: 2018).*

Tehoi 4 inch Multi Color Light Base for Events Vase Home Decoration. At amazon.com visited Nov. 6, 2019. (Year: 2019).*

LED Vase Base Light sold by Toppershow at amazon.com, visited Nov. 6, 2019. (Year: 2019).*

BonNoces 5 Tier Round Cupcake Stand with LED Light—Clear Acrylic Cake Dessert Stand—Tiered Pastry Tree Tower with Base for Wedding, Birthday Party (Blue Light), <https://www.amazon.com/dp/B07MMQ7GLM>.

BonNoces 5 Tier Square Cupcake Stand with LED Light—Clear Acrylic Cake Dessert Stand—Tiered Pastry Tree Tower with Base for Wedding, Birthday Party (Blue Light), <https://www.amazon.com/dp/B07RPFKL5T>.

BonNoces 5 Tier Round Cupcake Stand with LED Light—Clear Acrylic Cake Dessert Stand—Tiered Pastry Tree Tower with Base for Wedding, Birthday Party (Warm Light), <https://www.amazon.com/dp/B07RTKH71Y>.

BonNoces 5 Tier Square Cupcake Stand with LED Light—Clear Acrylic Cake Dessert Stand—Tiered Pastry Tree Tower with Base for Wedding, Birthday Party (Warm Light), <https://www.amazon.com/dp/B07RRHFKR7>.

BonNoces 5 Tier Round Cupcake Stand with LED Light, 7 Color Variations—Acrylic Dessert Cake Stand—Tiered Pastry Tower with Base for Wedding, Birthday Party, <https://www.amazon.com/dp/B07RSPPBQT>.

BonNoces 5 Tier Square Cupcake Stand with LED Light, 7 Color Variations—Acrylic Dessert Cake Stand—Tiered Pastry Tower with Base for Wedding, Birthday Party, <https://www.amazon.com/dp/B07RQJFT68>.

Vdomus Pastry Stand 4 Tier Acrylic Cupcake Display Stand with LED String Lights Dessert Tree Tower for Birthday/Wedding Party (Round), <https://www.amazon.com/>.

* cited by examiner

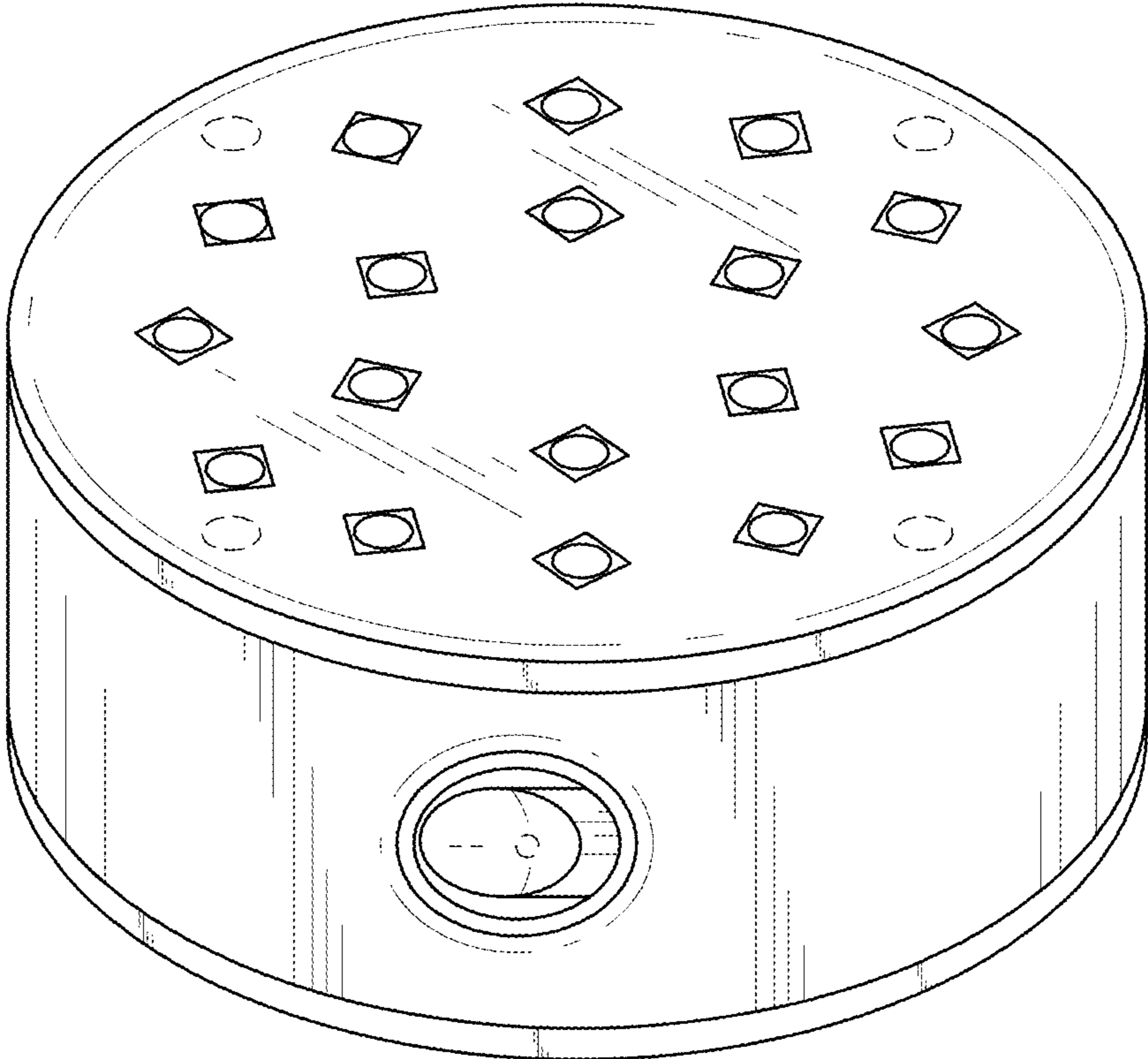


FIG. 1

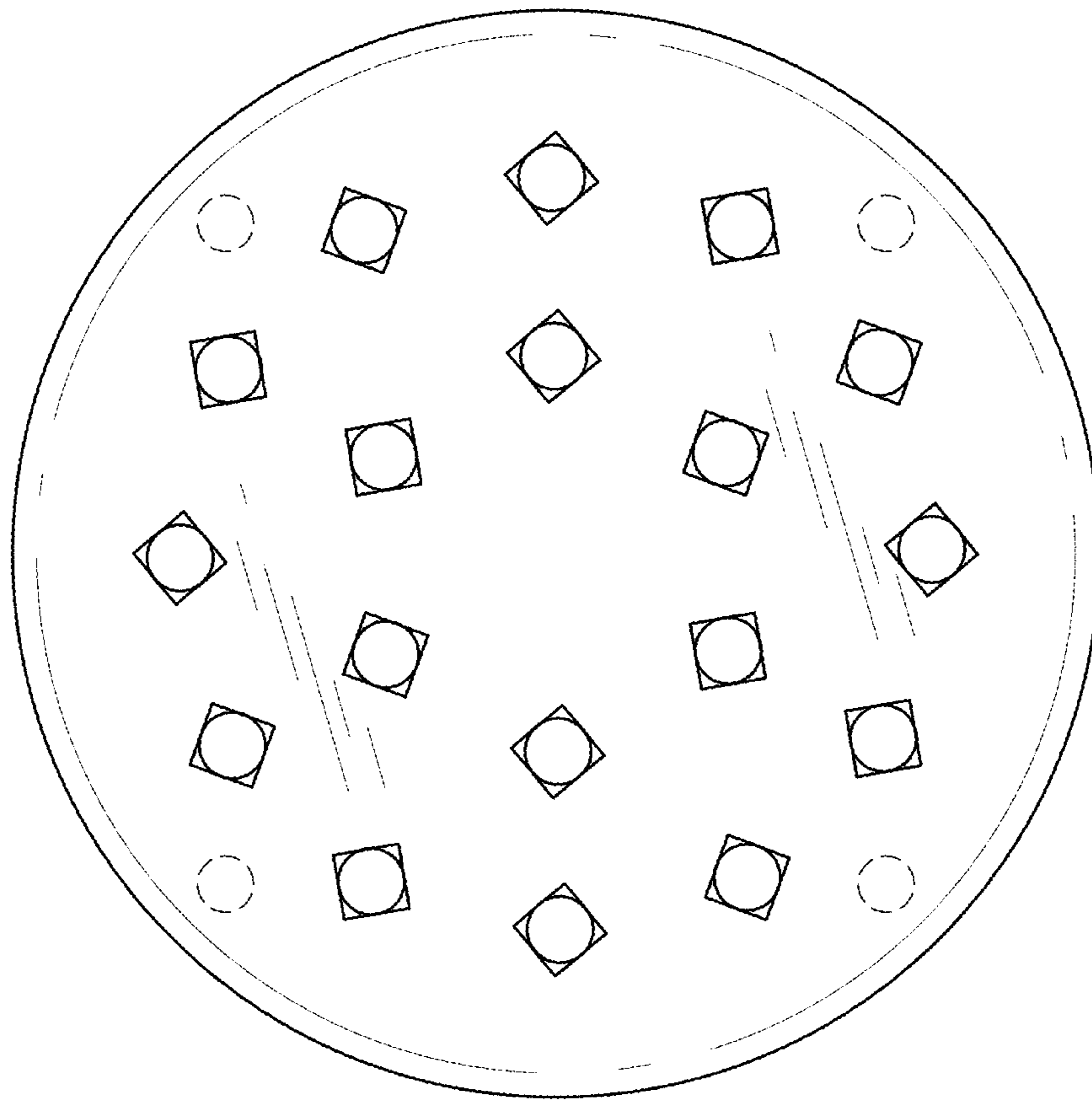


FIG. 2

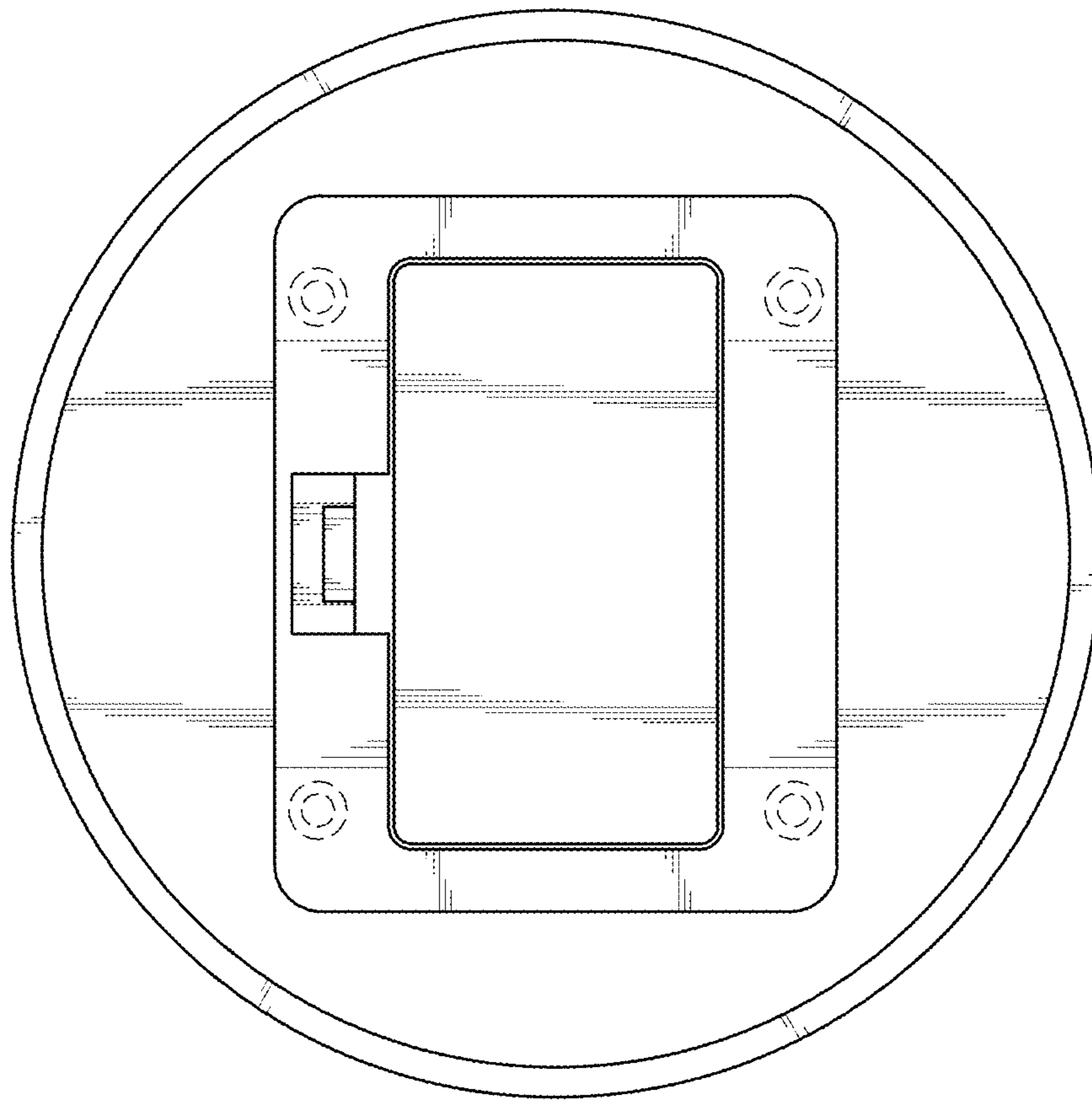


FIG. 3

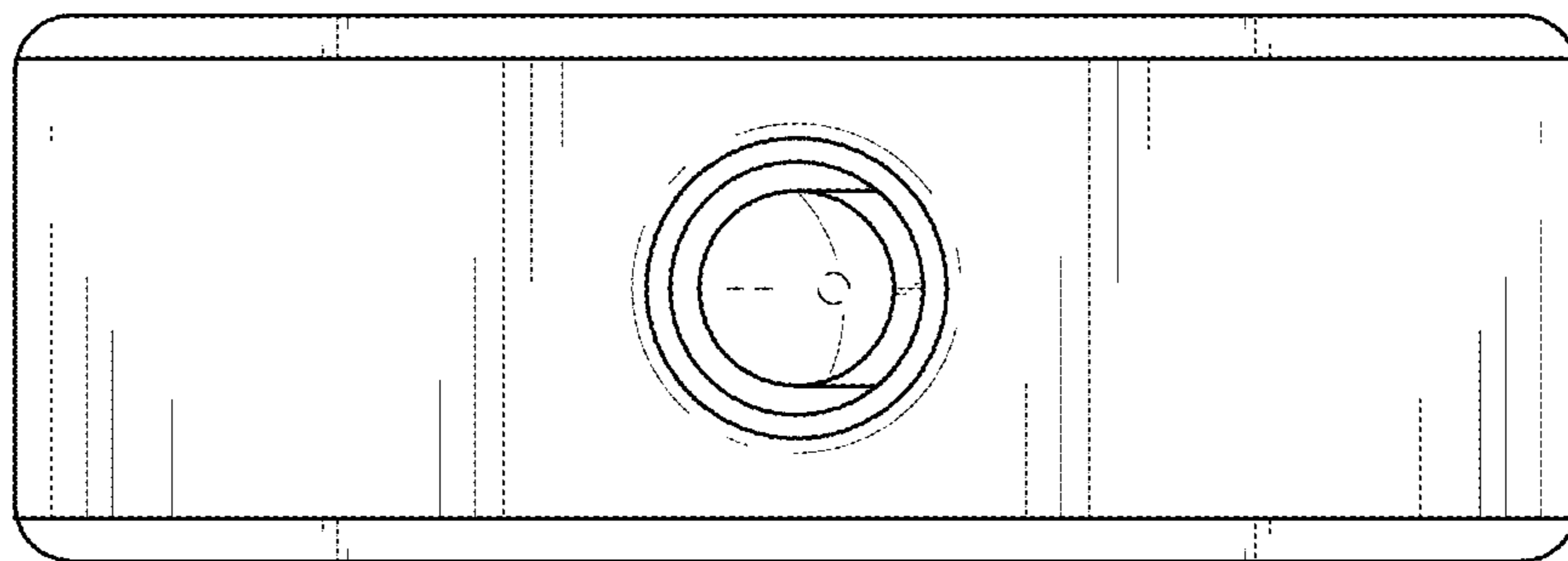


FIG. 4

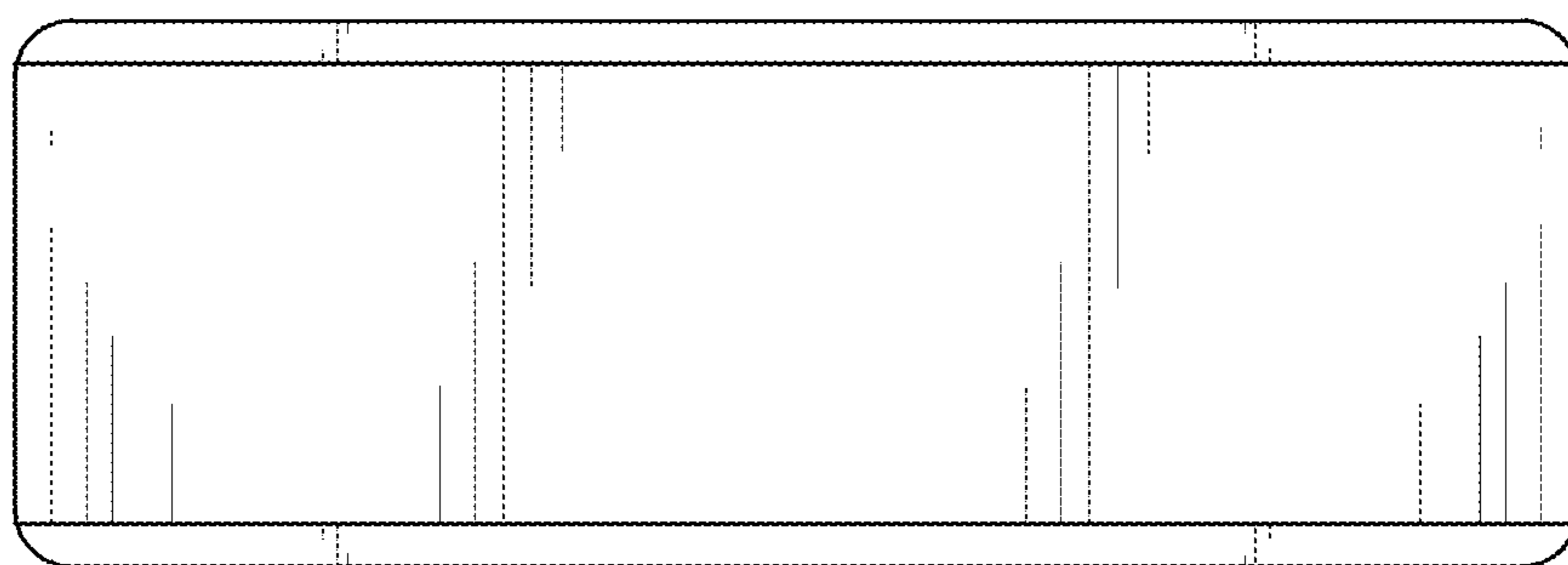


FIG. 5

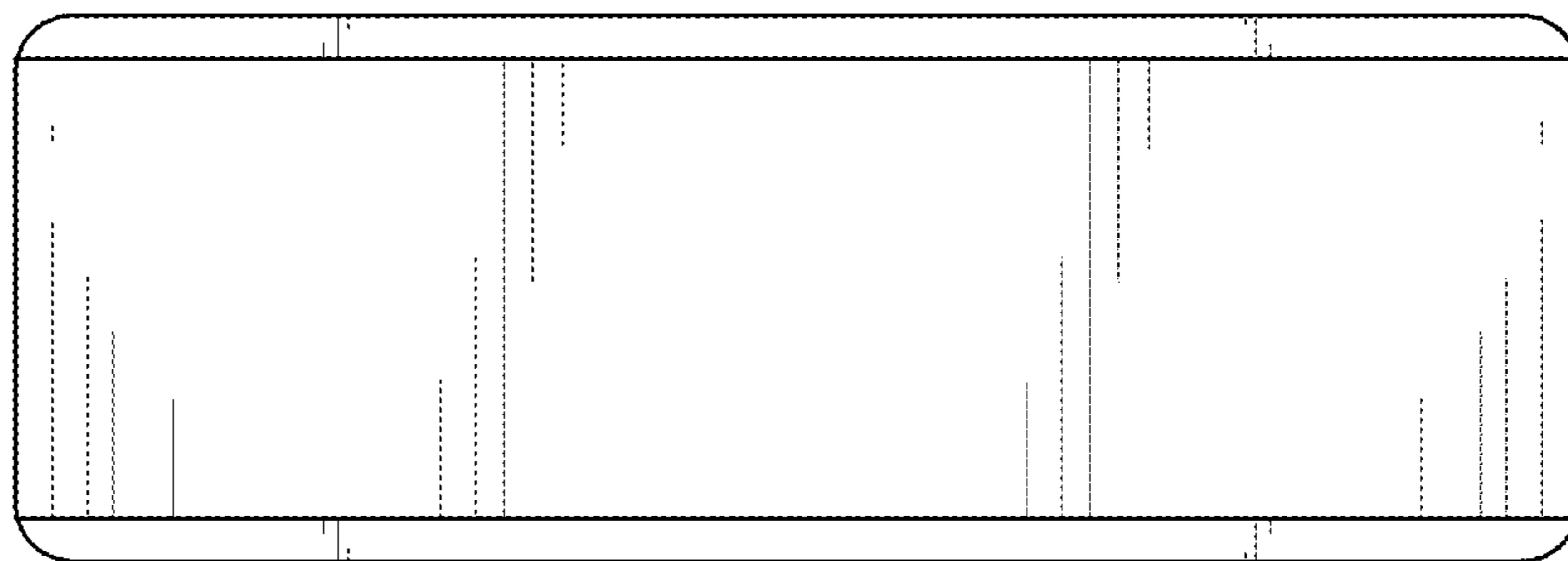


FIG. 6

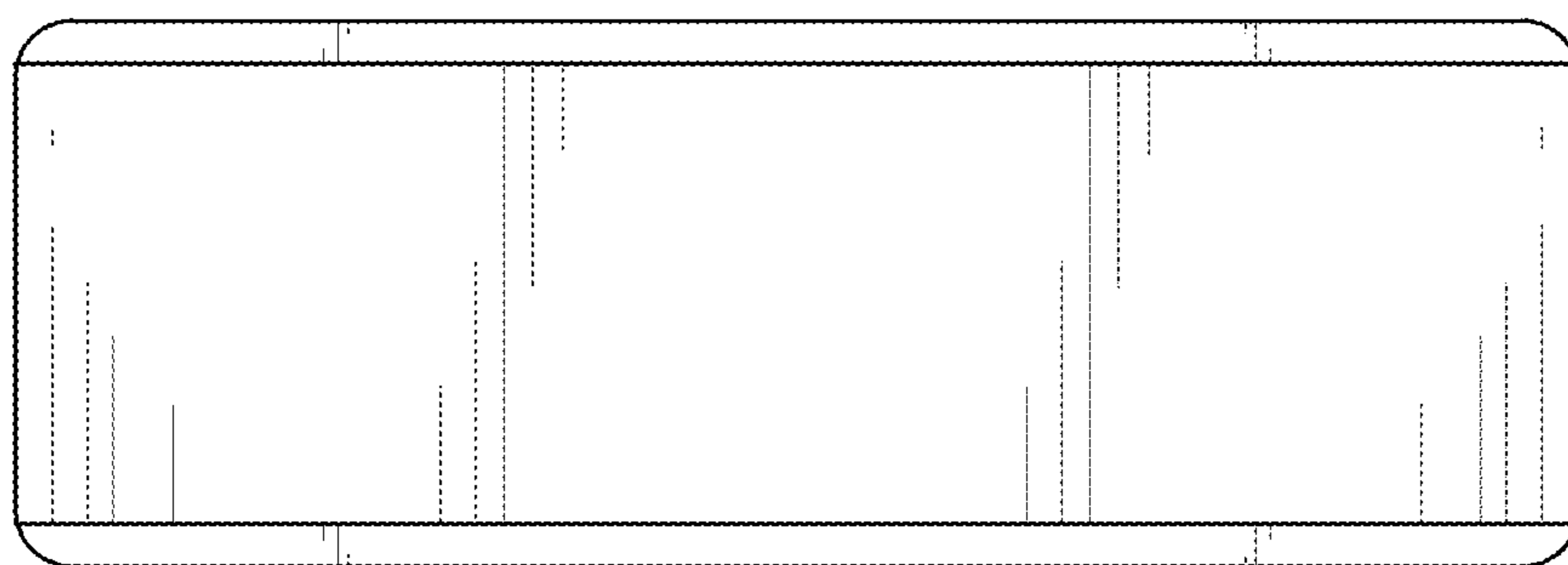


FIG. 7



FIG. 8