



US00D872332S

(12) **United States Design Patent** (10) **Patent No.:** **US D872,332 S**
Hsu (45) **Date of Patent:** **** Jan. 7, 2020**

(54) **LAMP WITH AN ACOUSTIC DEVICE**

(71) Applicant: **Dong Guan Jia Sheng Lighting Technology Co., Ltd. China,**
Dong-Guna, Guang-Dong (CN)

(72) Inventor: **Kevin Hsu, Taichung (TW)**

(73) Assignee: **DONG GUAN JIA SHENG LIGHTING TECHNOLOGY CO., LTD. CHINA,** Guang-Dong (CN)

(**) Term: **15 Years**

(21) Appl. No.: **29/616,561**

(22) Filed: **Sep. 7, 2017**

(51) **LOC (12) Cl.** **26-02**

(52) **U.S. Cl.**
USPC **D26/40**

(58) **Field of Classification Search**
USPC D26/37-51, 52
CPC F21L 2003/00; F21L 4/00; F21L 4/005;
F21L 4/02; F21L 4/025; F21L 4/027;
F21L 4/04; F21L 4/08; F21L 2005/00;
F21L 7/00; F21L 11/00; F21L 13/00;
F21L 13/04; F21L 13/08; F21L 14/02;
F21L 17/00; F21L 19/00; F21L 25/00
See application file for complete search history.

(56) **References Cited**

U.S. PATENT DOCUMENTS

D389,420 S * 1/1998 Campman D10/114.9
D426,667 S * 6/2000 Kaviani D26/110

D467,025 S * 12/2002 Tinsley D26/110
D495,819 S * 9/2004 Krieger D26/104
D509,921 S * 9/2005 Lam D26/40
D524,968 S * 7/2006 Poon D26/40
D527,128 S * 8/2006 Lo D26/40
D605,321 S * 12/2009 Schupp D26/40
D646,837 S * 10/2011 Yu D26/104
D729,971 S * 5/2015 Salojarvi D26/104

* cited by examiner

Primary Examiner — Lakiya G Rogers

Assistant Examiner — Carissa C Fitts

(74) *Attorney, Agent, or Firm* — Alan D. Kamrath; Mayer & Williams PC

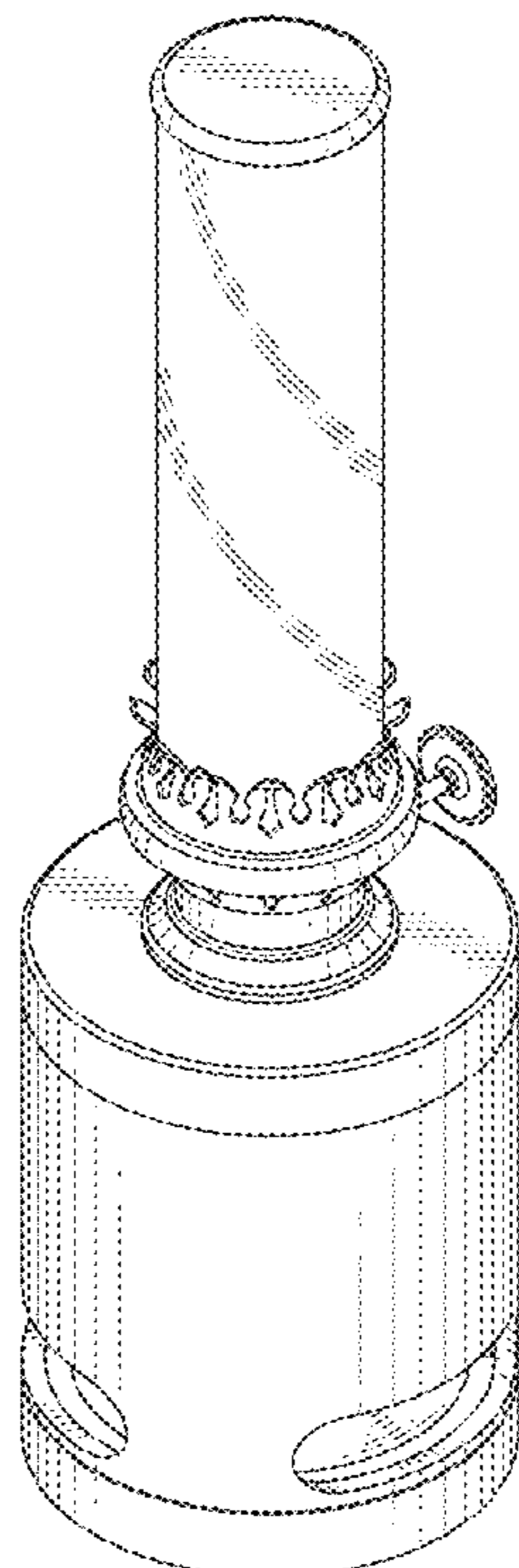
(57) **CLAIM**

The ornamental design for a lamp with an acoustic device, as shown and described.

DESCRIPTION

FIG. 1 is a perspective view of a lamp with an acoustic device showing my design;
FIG. 2 is a front elevational view thereof;
FIG. 3 is a rear elevational view thereof;
FIG. 4 is a left side elevational view thereof;
FIG. 5 is a right side elevational view thereof;
FIG. 6 is a top plan view thereof; and,
FIG. 7 is a bottom plan view thereof.
The broken lines show portions of the article which form no part of the claimed design.

1 Claim, 6 Drawing Sheets



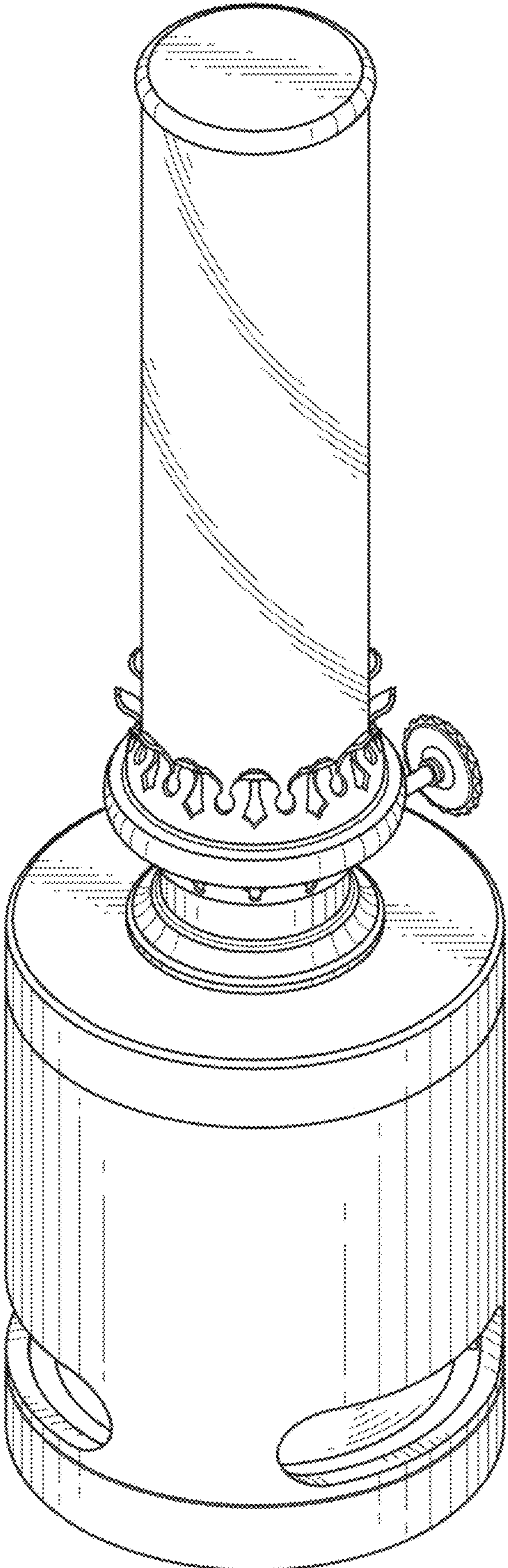


FIG. 1

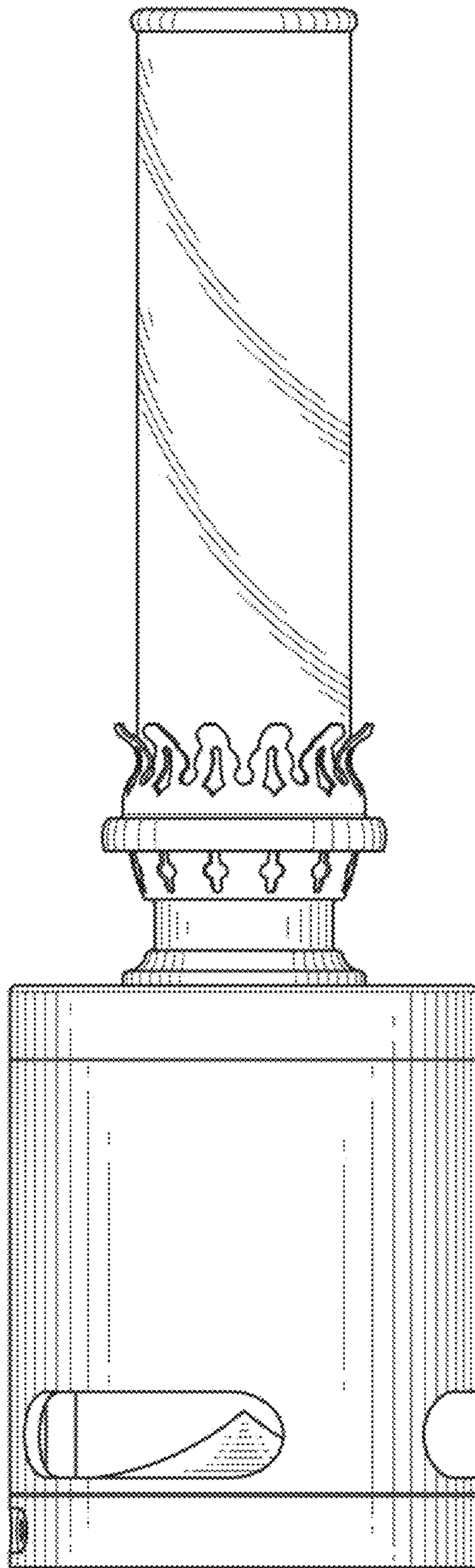


FIG. 2

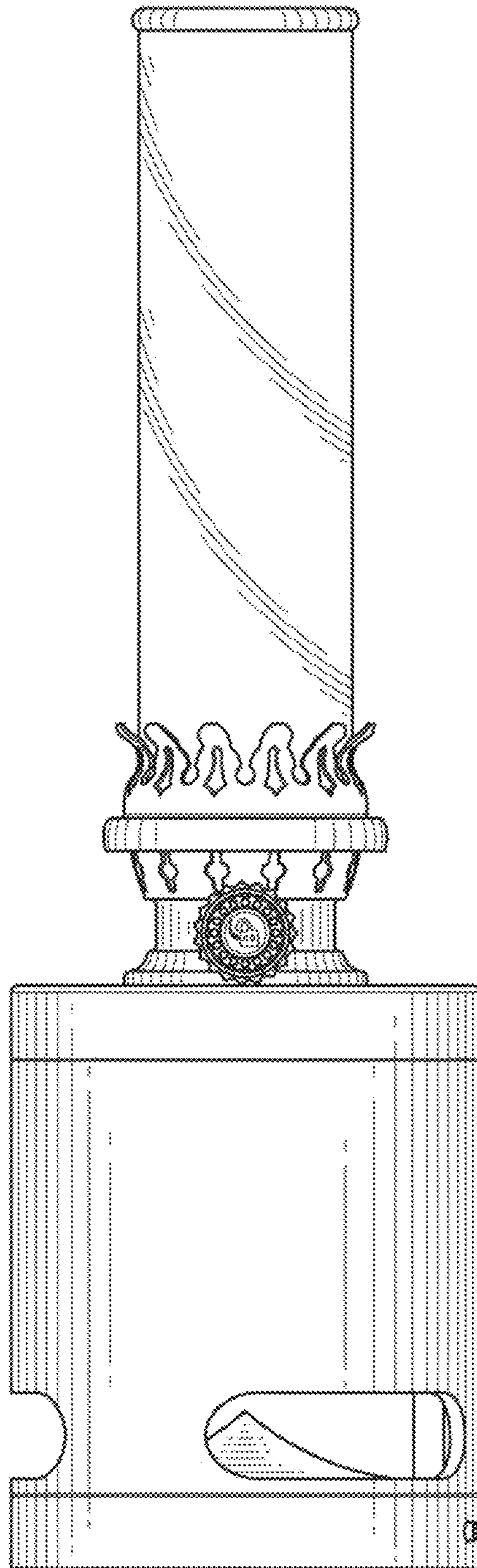


FIG. 3

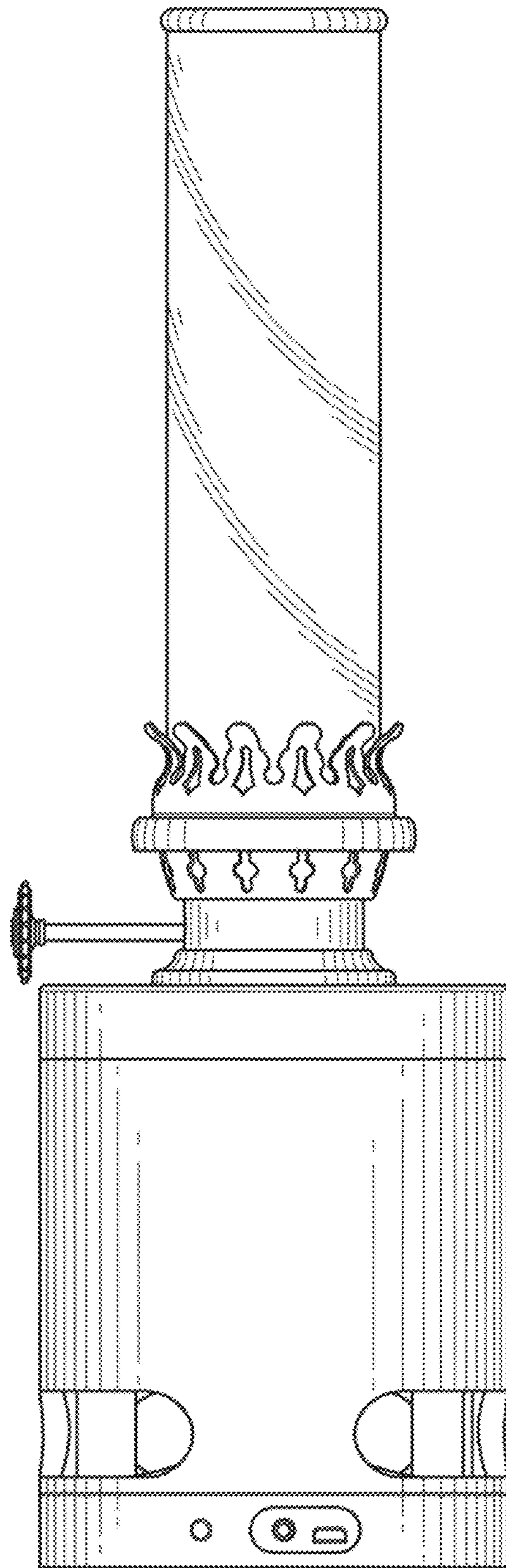


FIG. 4

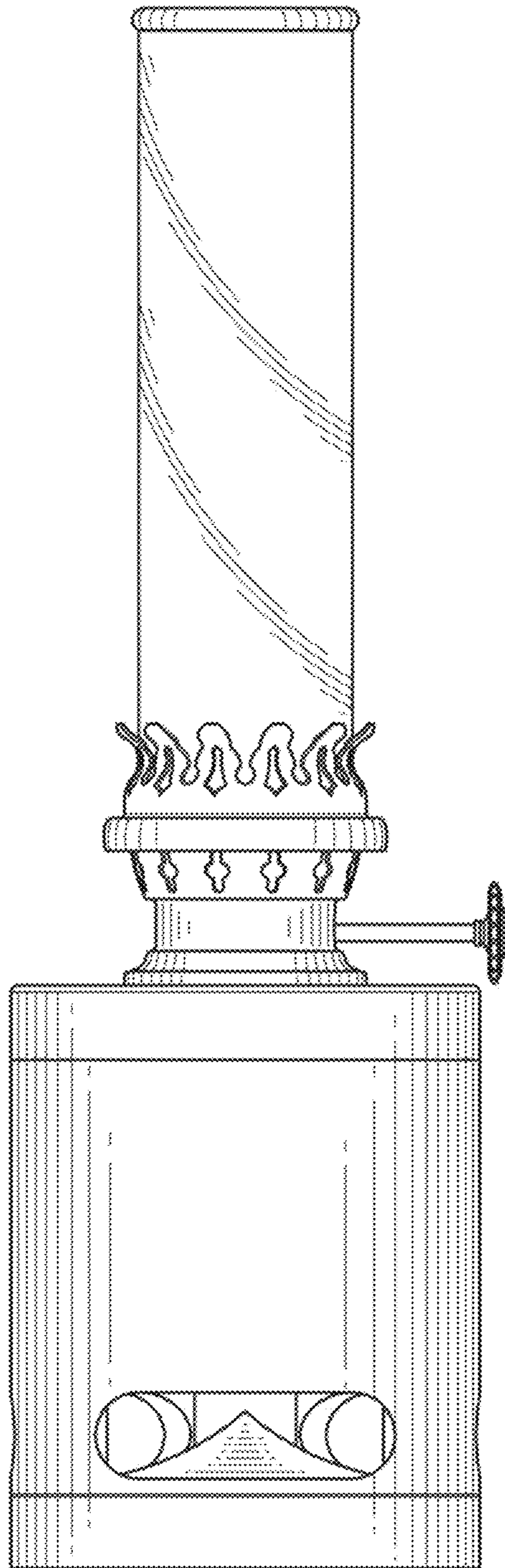


FIG. 5

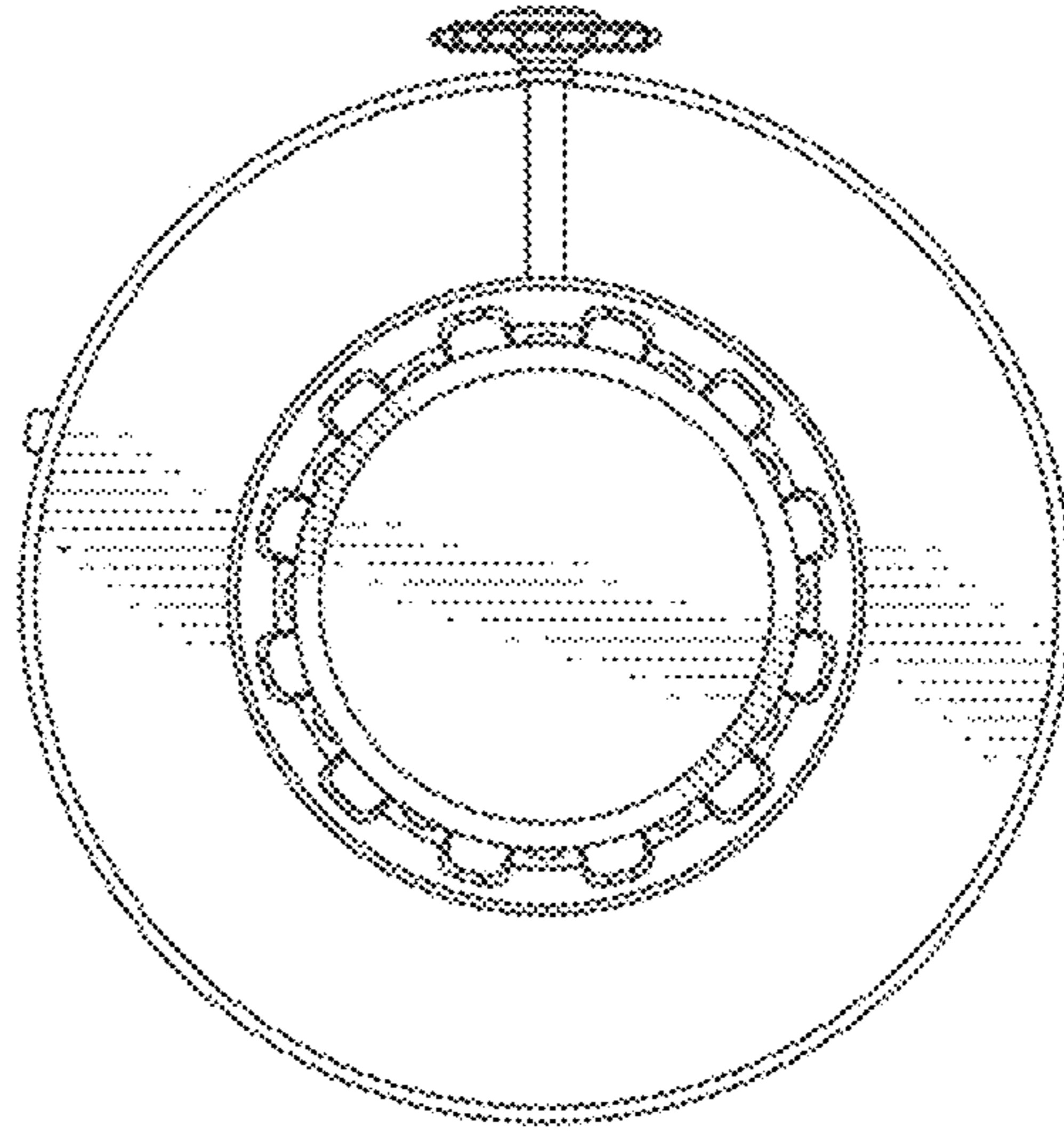


FIG. 6

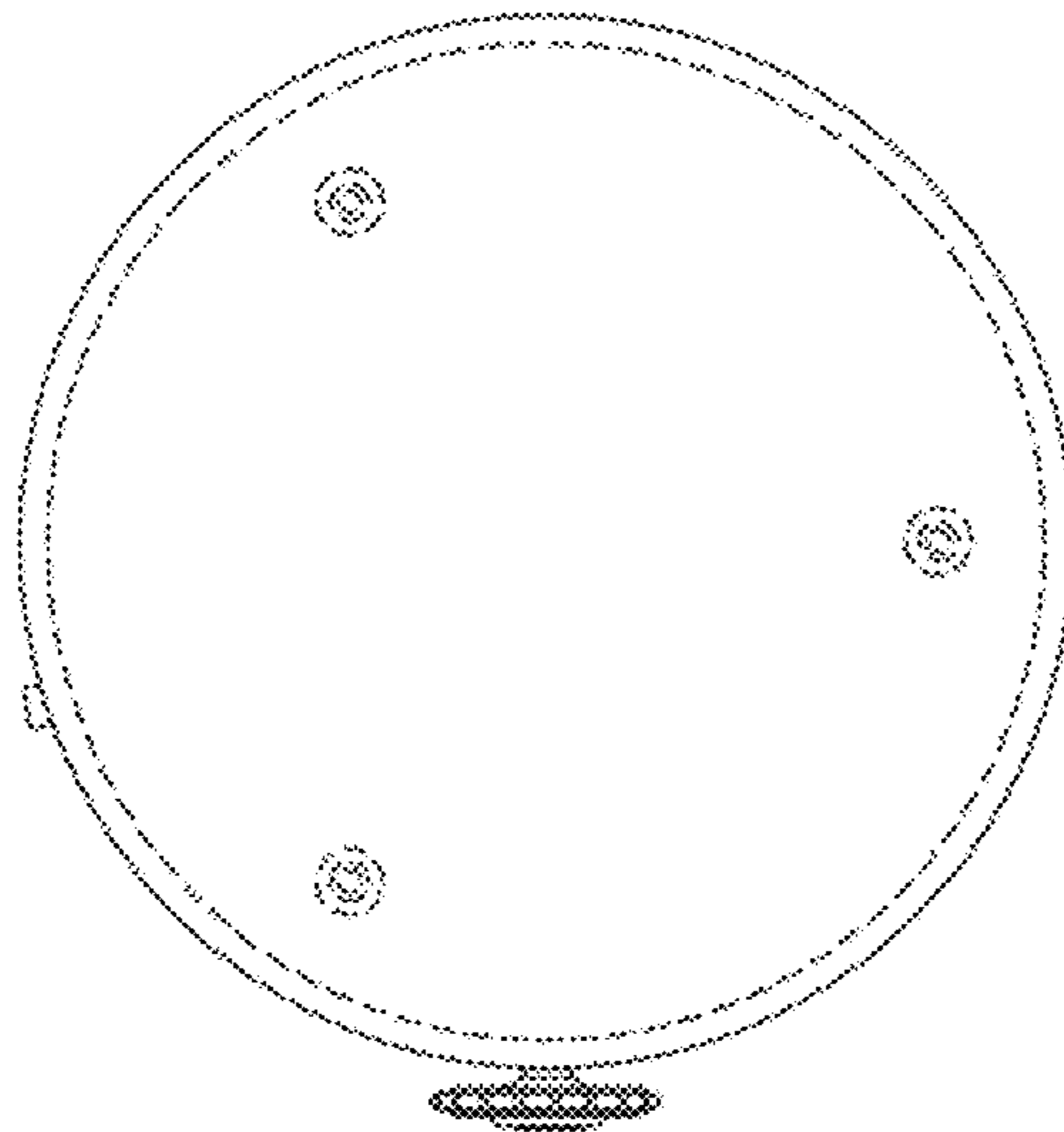


FIG. 7