



US00D872331S

(12) **United States Design Patent**  
**Smith**

(10) **Patent No.:** **US D872,331 S**  
(45) **Date of Patent:** **\*\* Jan. 7, 2020**

- (54) **LIGHTING DEVICE**
- (71) Applicant: **Energizer Brands, LLC**, St. Louis, MO (US)
- (72) Inventor: **Jeffrey James Smith**, Honeoye Falls, NY (US)
- (73) Assignee: **Energizer Brands, LLC**, St. Louis, MO (US)
- (\*\*) Term: **15 Years**
- (21) Appl. No.: **29/659,402**
- (22) Filed: **Aug. 8, 2018**
- (51) **LOC (12) Cl.** ..... **26-02**
- (52) **U.S. Cl.**  
USPC ..... **D26/39**
- (58) **Field of Classification Search**  
USPC ..... D26/1, 24, 25, 43, 60, 110, 113, 28, 37, D26/61, 85, 102, 138-140; 362/249.14, 362/311.02, 311.13  
CPC ..... F21S 4/00; F21S 4/10; F21S 4/15; F21S 4/26; F21S 2/00; F21V 11/02; F21V 11/06; F21V 17/10; F21V 17/16; F21V 21/0296; F21V 21/0054; F21V 21/008; F21V 21/00; F21V 21/08; F21V 23/00; F21V 23/04; F21V 33/00; F21W 2121/00; F21W 2121/04; F21Y 2115/10; F21L 4/00; F21L 4/02; F21L 4/04; F21L 4/08  
See application file for complete search history.

- D506,846 S 6/2005 Kang et al.
- D547,475 S 7/2007 Xu
- D552,278 S 10/2007 Spartano et al.
- D560,009 S 1/2008 Spartano et al.
- D560,298 S 1/2008 Spartano et al.
- D566,310 S 4/2008 Alessio
- D568,510 S 5/2008 Shiu
- D573,736 S 7/2008 Poon
- D575,888 S 8/2008 Shiu
- D581,567 S 11/2008 Crawford et al.
- D583,971 S 12/2008 Castellucci et al.
- D590,531 S 4/2009 Ma
- D590,975 S 4/2009 Ma
- D592,782 S 5/2009 Hine et al.
- D596,770 S 7/2009 Hine et al.
- D615,227 S 5/2010 Hine et al.
- D620,160 S 7/2010 Kang et al.

(Continued)

*Primary Examiner* — Abraham Bahta  
(74) *Attorney, Agent, or Firm* — Alston & Bird LLP

(57) **CLAIM**

The ornamental design for a lighting device, as shown and described.

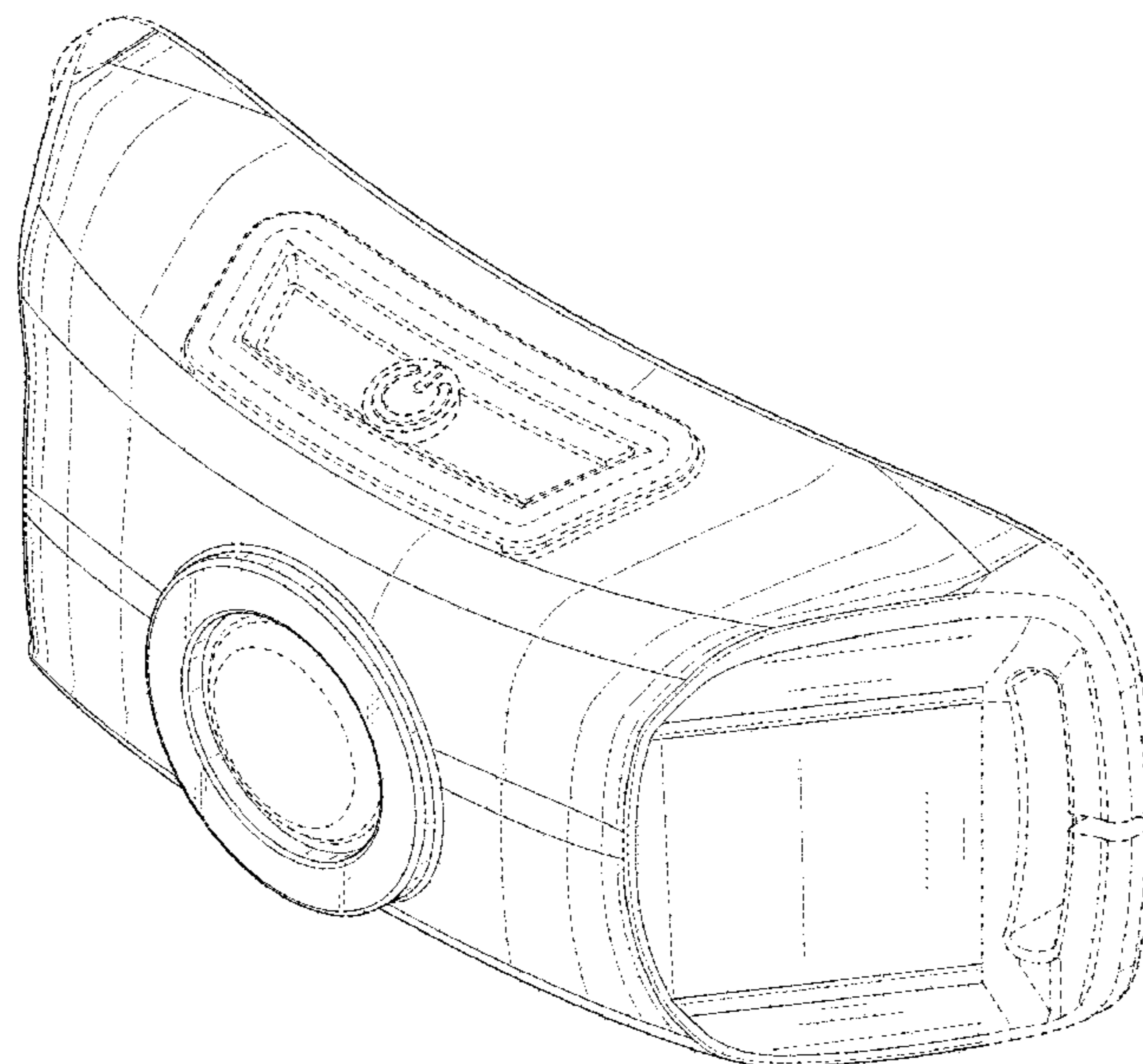
**DESCRIPTION**

FIG. 1 is a top front perspective view of the lighting device showing my new design.  
FIG. 2 is a front view the lighting device of FIG. 1.  
FIG. 3 is a back view of the lighting device of FIG. 1.  
FIG. 4 is a left side view of the lighting device of FIG. 1.  
FIG. 5 is a right side view of the lighting device of FIG. 1.  
FIG. 6 is a top view of the lighting device of FIG. 1.  
FIG. 7 is a bottom view of the lighting device of FIG. 1; and, FIG. 8 is a bottom rear perspective view of the lighting device of FIG. 1.

The broken lines shown are provided for the purpose of illustrating environmental structure and form no part of the claimed design.

**1 Claim, 8 Drawing Sheets**

- (56) **References Cited**  
U.S. PATENT DOCUMENTS  
D426,330 S 6/2000 Cramer  
D470,615 S 2/2003 Janice et al.  
D472,998 S 4/2003 Paris et al.  
D488,140 S 4/2004 Hanselman et al.  
D492,052 S 6/2004 Schnell



(56)

**References Cited**

U.S. PATENT DOCUMENTS

D625,862 S	10/2010	Fitch et al.	D743,597 S	11/2015	Abernethy et al.
D625,863 S	10/2010	Kingston et al.	D744,134 S	11/2015	Hine et al.
D631,587 S	1/2011	Hine et al.	D752,257 S	3/2016	Hine et al.
7,922,349 B2	4/2011	Hunnewell et al.	D752,258 S	3/2016	Hine et al.
D648,468 S	11/2011	Gibson	D752,259 S	3/2016	Hine et al.
D651,732 S	1/2012	Hopkins	D752,260 S	3/2016	Hine et al.
D658,323 S	4/2012	Freschl	D752,261 S	3/2016	Ma
D683,489 S	5/2013	Lee	D752,790 S	3/2016	Hine et al.
8,517,559 B1	8/2013	Freschl	D806,294 S	12/2017	Nguyen et al.
D696,803 S	12/2013	Kingston et al.	D813,432 S	3/2018	Koshiha
D702,863 S	4/2014	Kotsis	D814,083 S *	3/2018	Green ..... D26/39
D703,355 S	4/2014	Kotsis	D824,059 S	7/2018	Inskeep
D707,867 S	6/2014	Kotsis et al.	D830,601 S *	10/2018	Petzl ..... D26/39
D711,028 S	8/2014	Pritchett	D830,602 S *	10/2018	Melchior ..... D26/39
D736,977 S	8/2015	Petzl	D836,810 S	12/2018	DeBrunner
D736,978 S	8/2015	Petzl	D844,869 S *	4/2019	Green ..... D26/39
D736,979 S	8/2015	Petzl	D845,526 S *	4/2019	Windom ..... D26/39
D736,980 S	8/2015	Petzl	D851,307 S *	6/2019	Sharrah ..... D26/39
D742,051 S	10/2015	Abernethy et al.	D861,212 S	9/2019	Windom et al.
			D861,940 S	10/2019	Kunzendorf
			2008/0025036 A1	1/2008	Takada et al.

\* cited by examiner

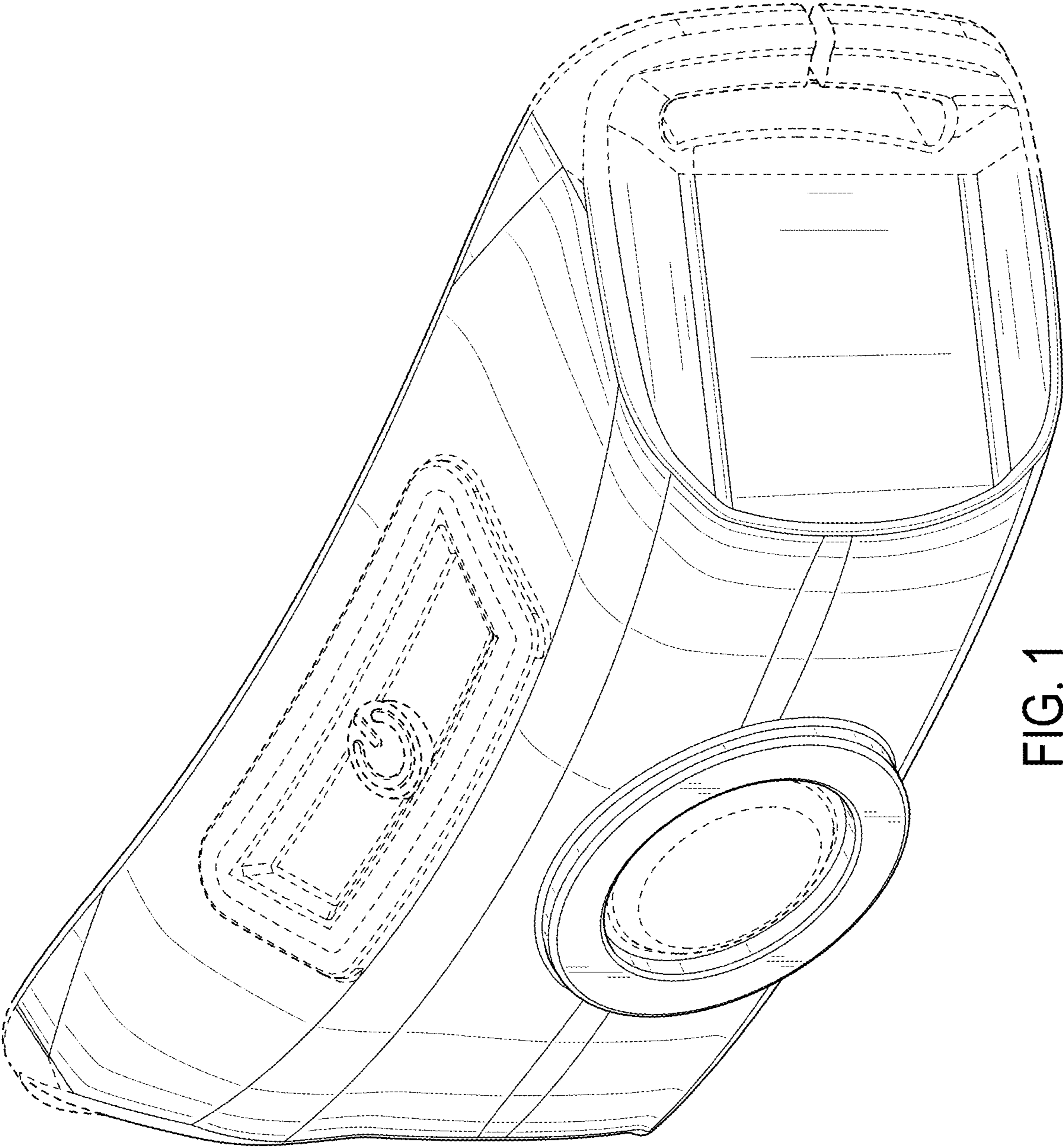


FIG. 1

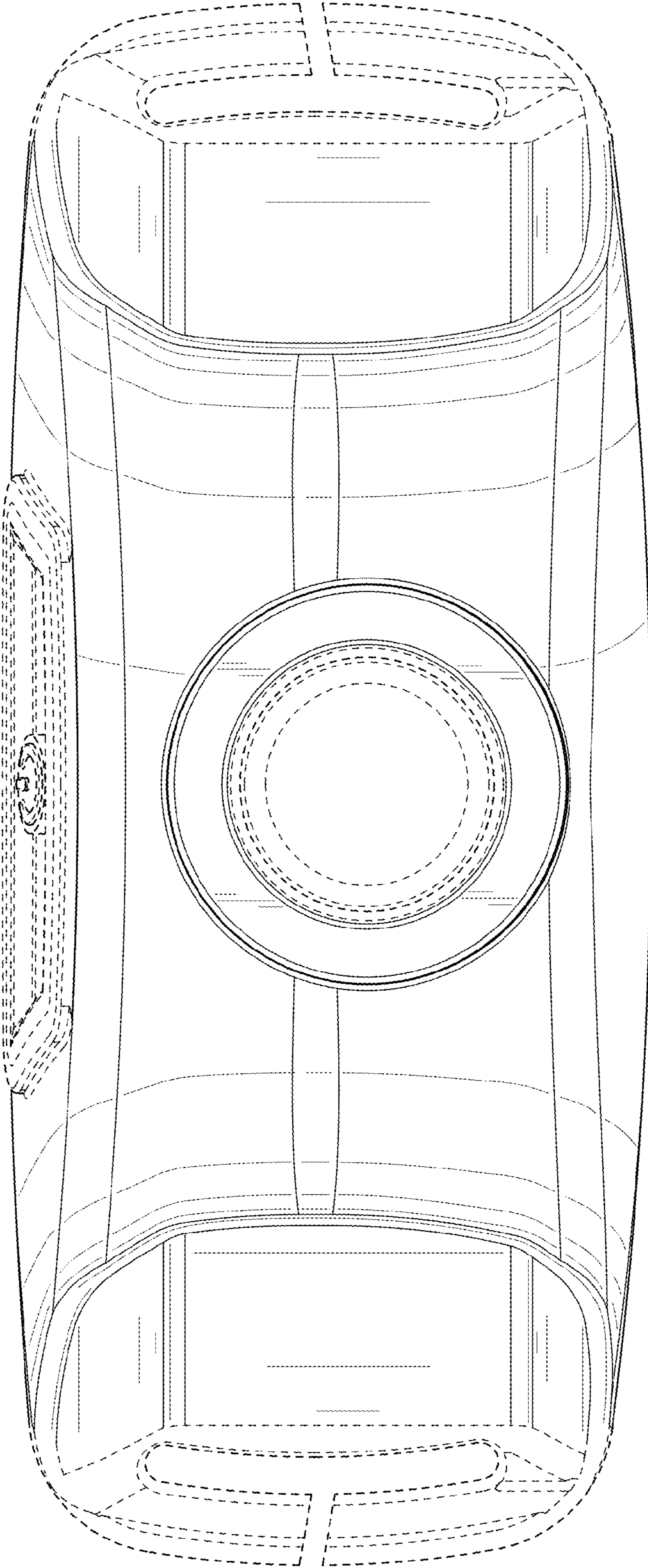


FIG. 2

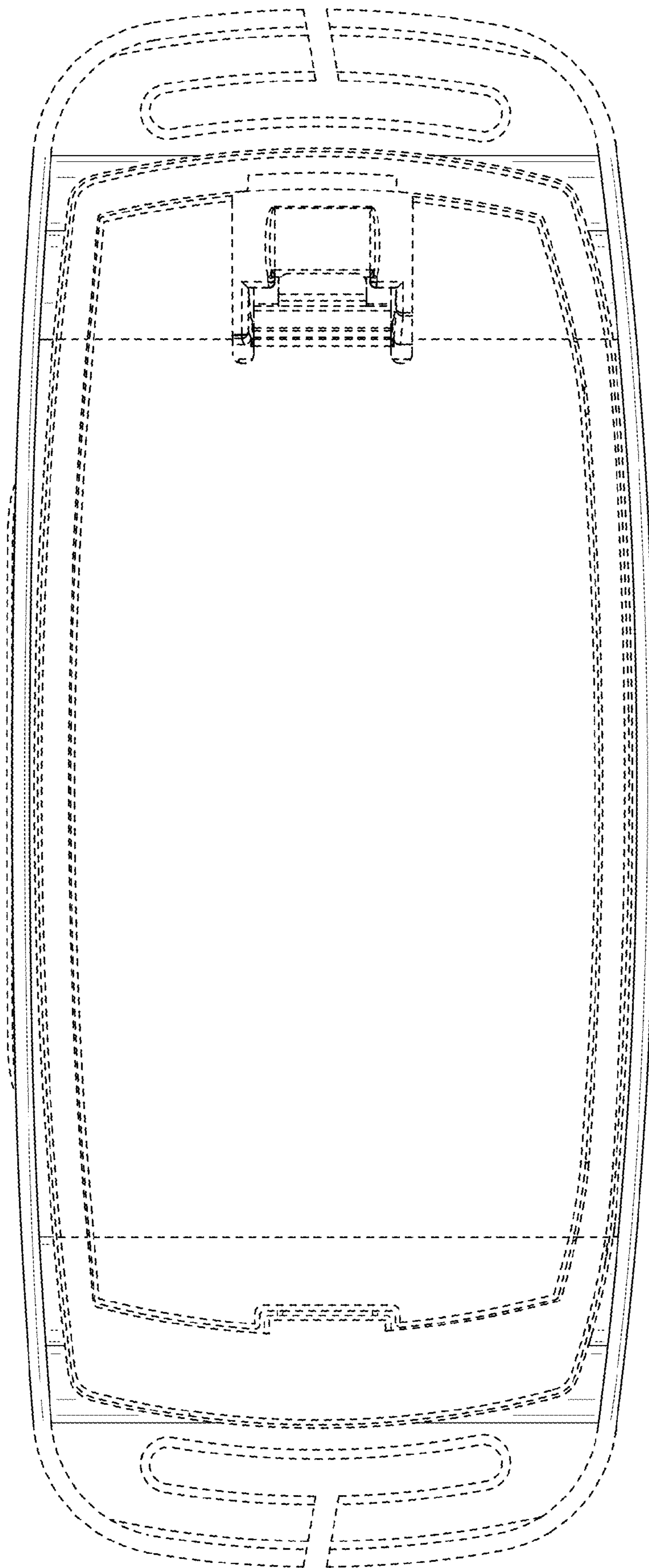


FIG. 3

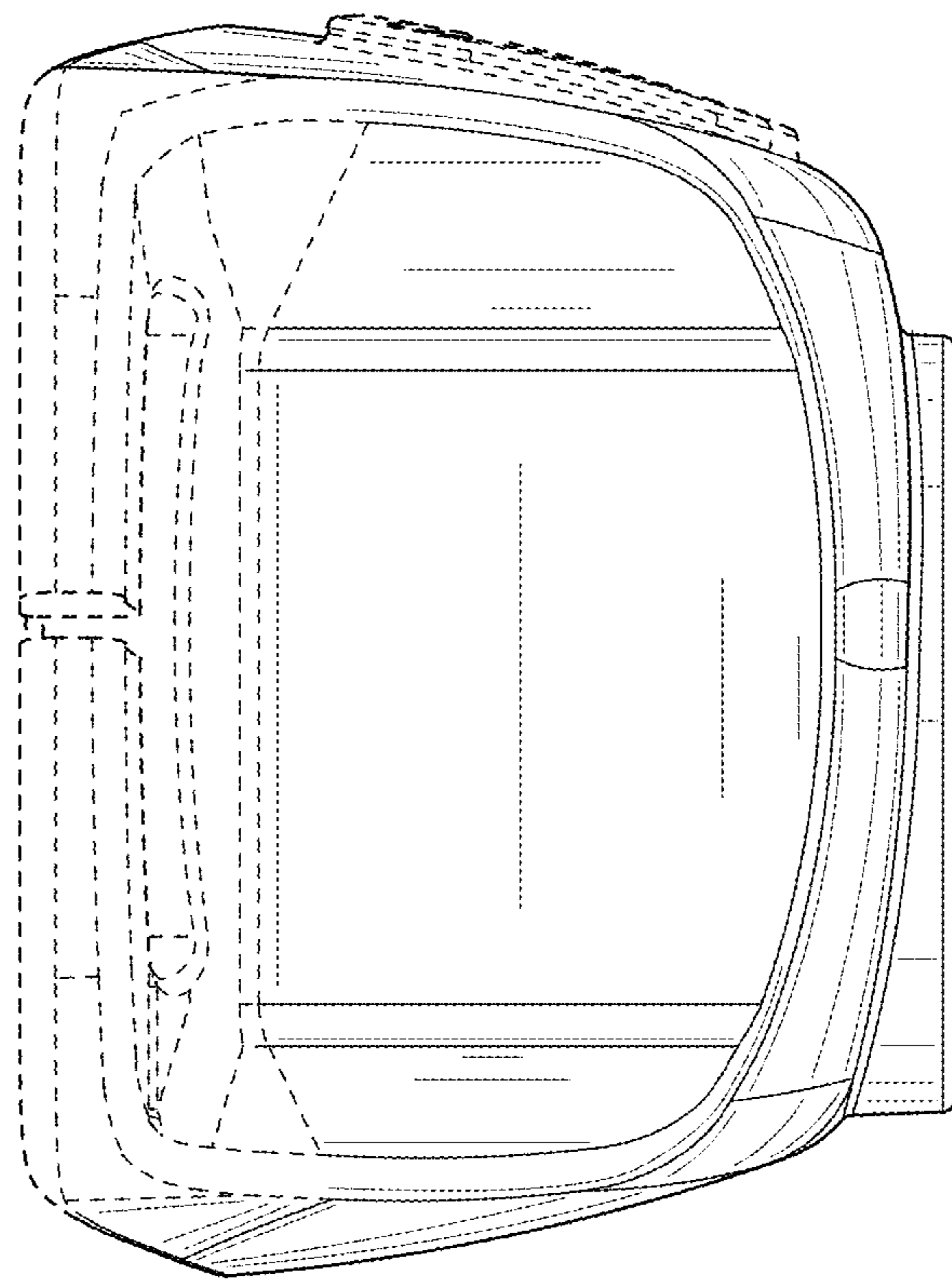


FIG. 4

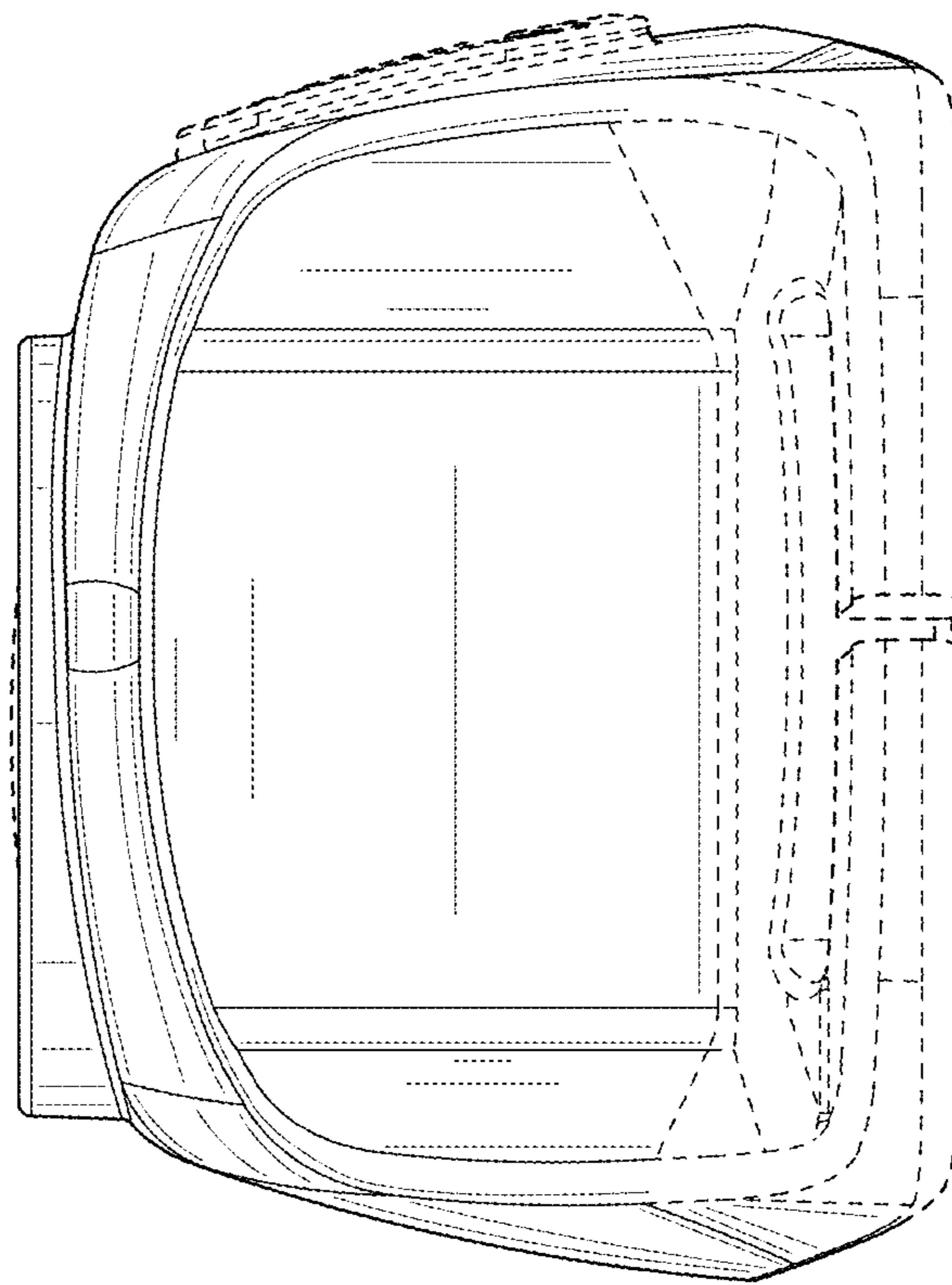


FIG. 5

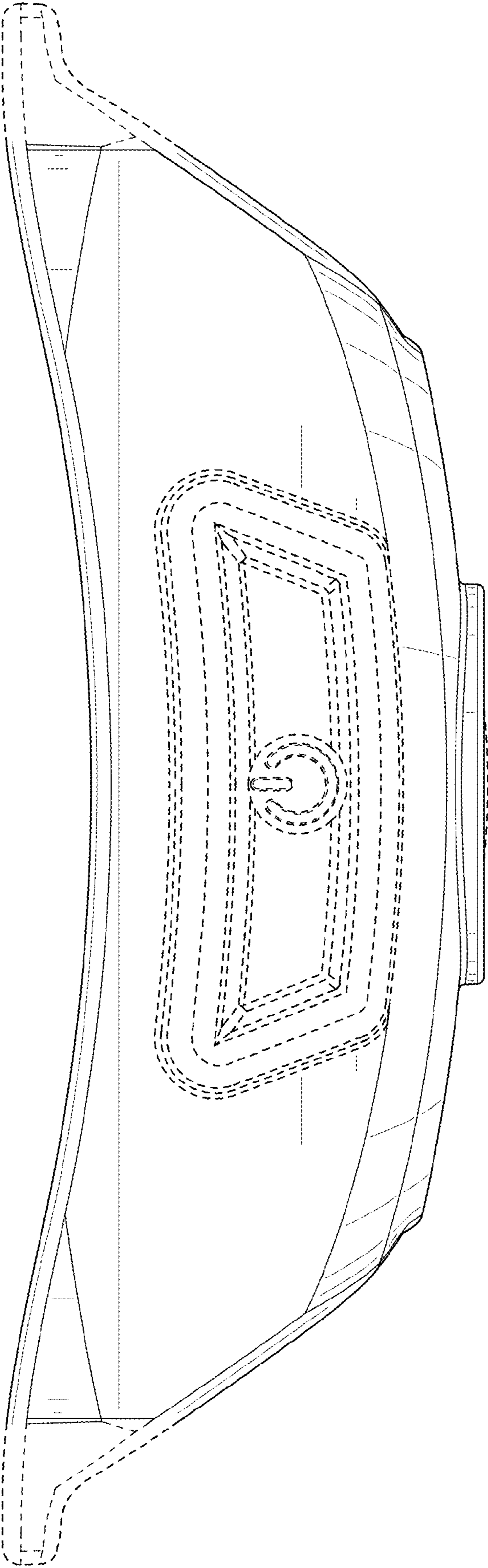


FIG. 6



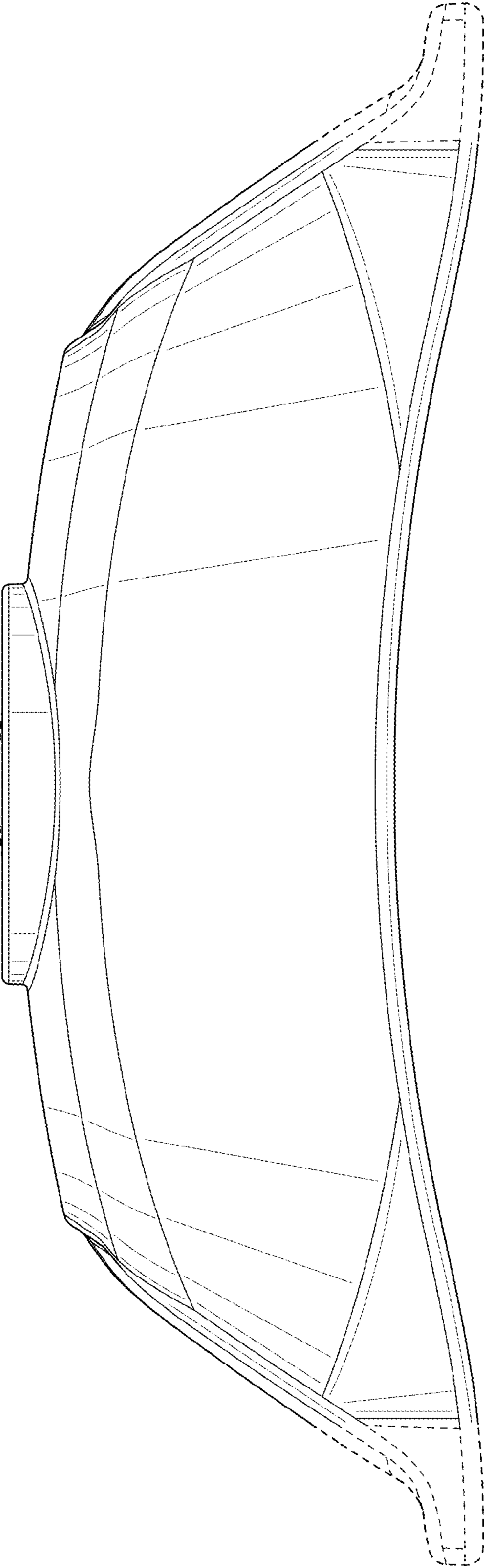


FIG. 7

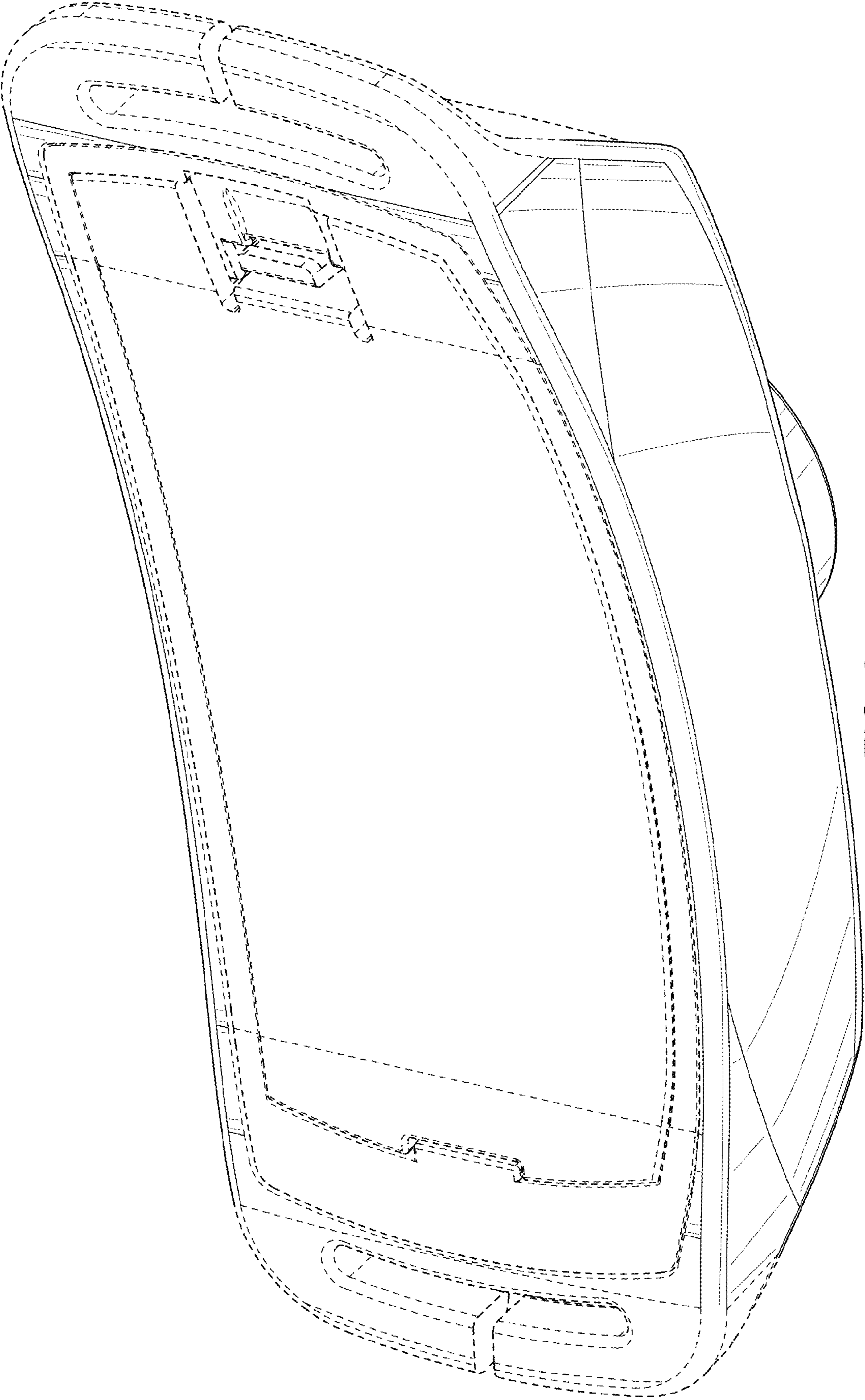


FIG. 8