



US00D872329S

(12) **United States Design Patent** (10) **Patent No.:** **US D872,329 S**
Koltz et al. (45) **Date of Patent:** **** Jan. 7, 2020**

(54) **HEADLAMP HOUSING FOR A SNOW THROWER**

(71) Applicant: **The Toro Company**, Bloomington, MN (US)

(72) Inventors: **Paul Frederick Koltz**, Chanhassen, MN (US); **Brian Algot Hanson**, Otsego, MN (US); **Philip Charles Dretzka**, Woodbury, MN (US); **David J. Martin**, Eden Prairie, MN (US)

(73) Assignee: **The Toro Company**, Bloomington, MN (US)

(**) Term: **15 Years**

(21) Appl. No.: **29/639,631**

(22) Filed: **Mar. 7, 2018**

(51) **LOC (12) Cl.** **26-06**

(52) **U.S. Cl.**
USPC **D26/31**

(58) **Field of Classification Search**
USPC D26/28-36, 139
CPC F21S 48/00; F21S 48/10; F21S 48/115; F21S 48/225; F21S 48/1233; F21S 48/1266; F21S 48/1388; F21S 48/2268; F21V 21/04; B60Q 9/13; B60Q 9/135; B60Q 9/1375; B60Q 1/0483
See application file for complete search history.

(56) **References Cited**

U.S. PATENT DOCUMENTS

D411,330 S	6/1999	Goebert et al.	
D470,256 S	2/2003	Crookes et al.	
D482,148 S	11/2003	Arthur et al.	
D509,923 S	9/2005	Arthur et al.	
D656,258 S *	3/2012	Georgitsis	B60Q 1/0483 D26/31
D672,069 S *	12/2012	Cohen	D26/28

(Continued)

Primary Examiner — Marcus A Jackson

(74) *Attorney, Agent, or Firm* — Pauly, DeVries Smith & Deffner LLC

(57) **CLAIM**

The ornamental design for a headlamp housing for a snow thrower, as shown and described.

DESCRIPTION

FIG. 1 is a perspective view of the headlamp housing in the environment of a snow thrower.

FIG. 2 is a front view of the headlamp housing.

FIG. 3 is a left side view of the the headlamp housing.

FIG. 4 is a right side view of the the headlamp housing.

FIG. 5 is a top view of the the headlamp housing.

FIG. 6 is a bottom front perspective view of the headlamp housing.

FIG. 7 is a bottom right perspective view of the headlamp housing; and,

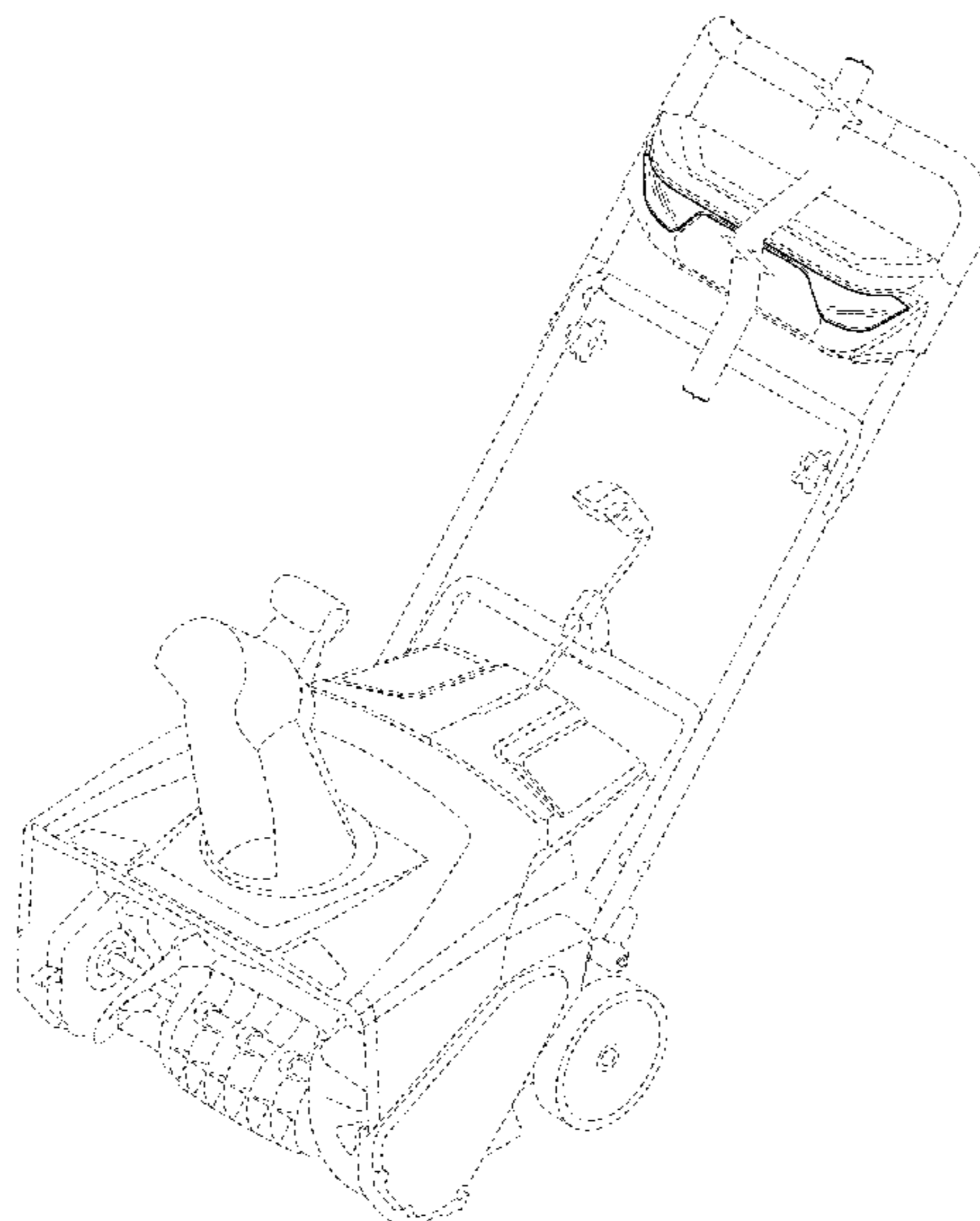
FIG. 8 is a bottom left perspective view of the headlamp housing.

The broken lines in the drawings illustrate the environment and do not form a part of the claimed design. The back portion of the headlamp housing is not visible during normal use and forms no part of the claimed design.

The headlamp housing is shown with a symbolic break in its length. The appearance of any portion of the article between the break lines forms no part of the claimed design.

The labels used herein to describe orientation (e.g. front, rear, left, right) are merely for reference and are not intended to limit the interpretation of the design. Applicant reserves the right to convert a portion or portions of any of the broken lines to solid lines such that the features described by those lines then form part of the claimed design, and/or a portion or portions of any of the solid lines to broken lines such that the features described by those lines no longer form part of the claimed design.

1 Claim, 7 Drawing Sheets



(56)

References Cited

U.S. PATENT DOCUMENTS

D672,070 S * 12/2012 Cohen D26/28
D672,071 S * 12/2012 Cohen D26/28

* cited by examiner

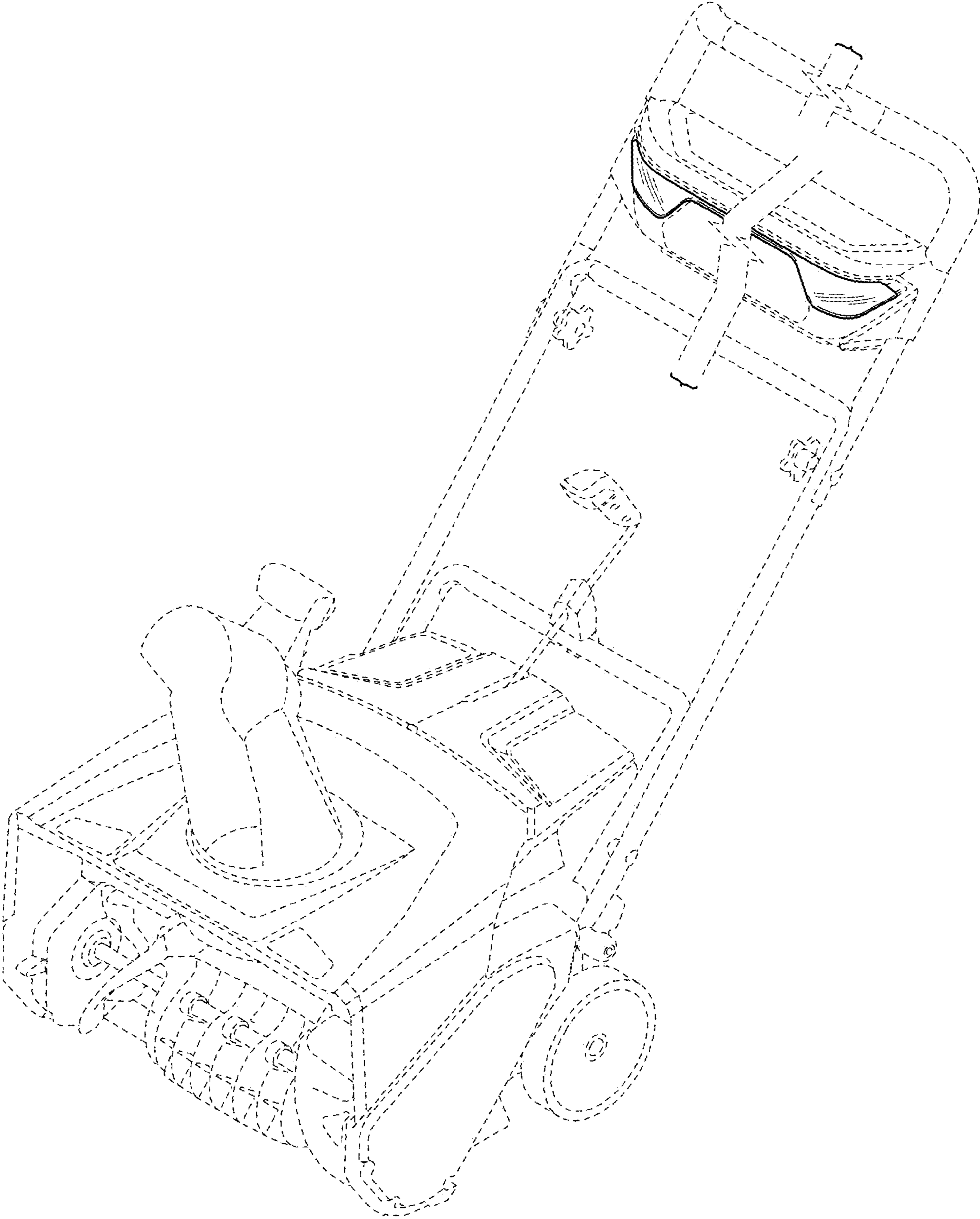


FIG. 1

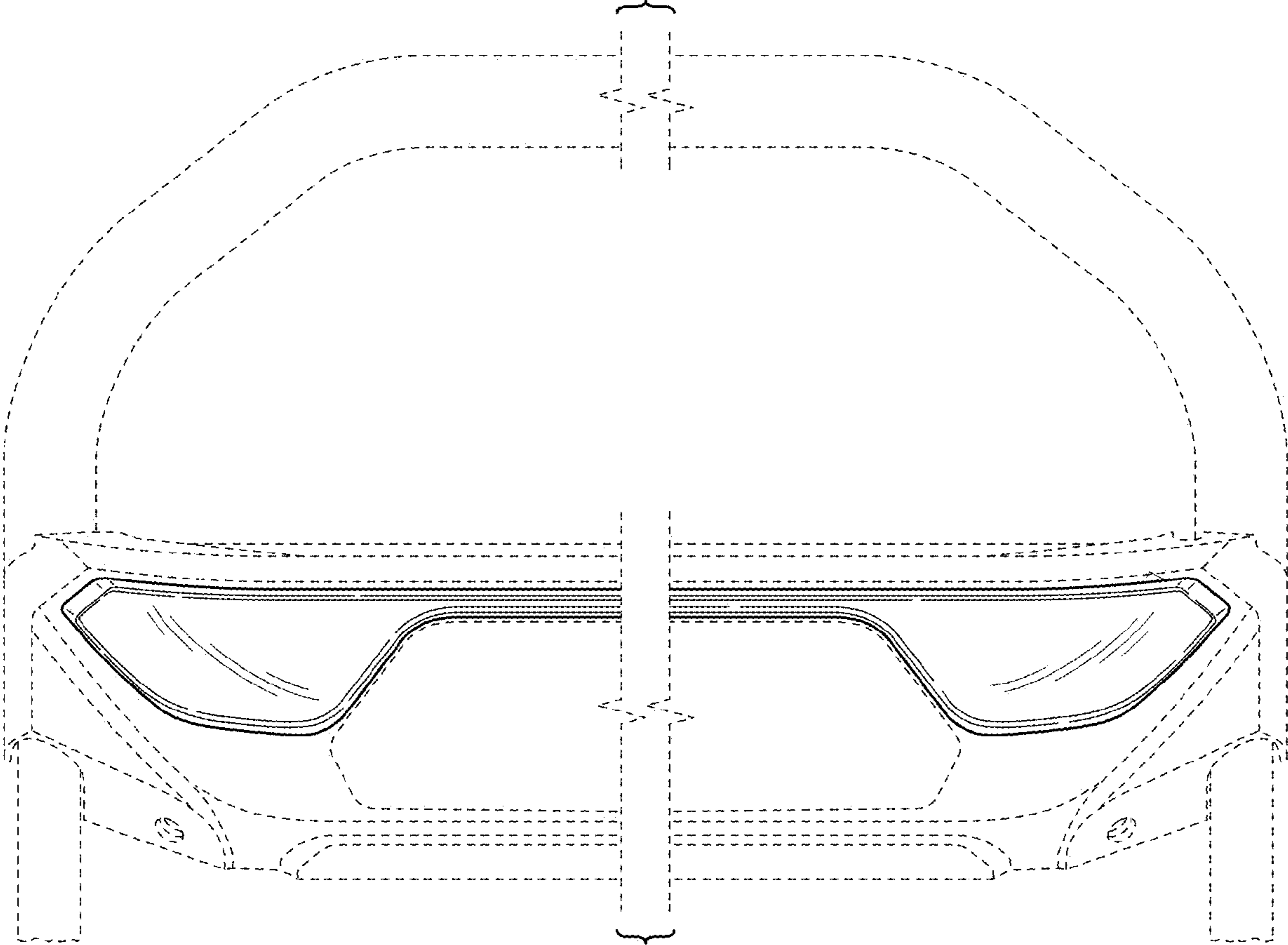


FIG. 2

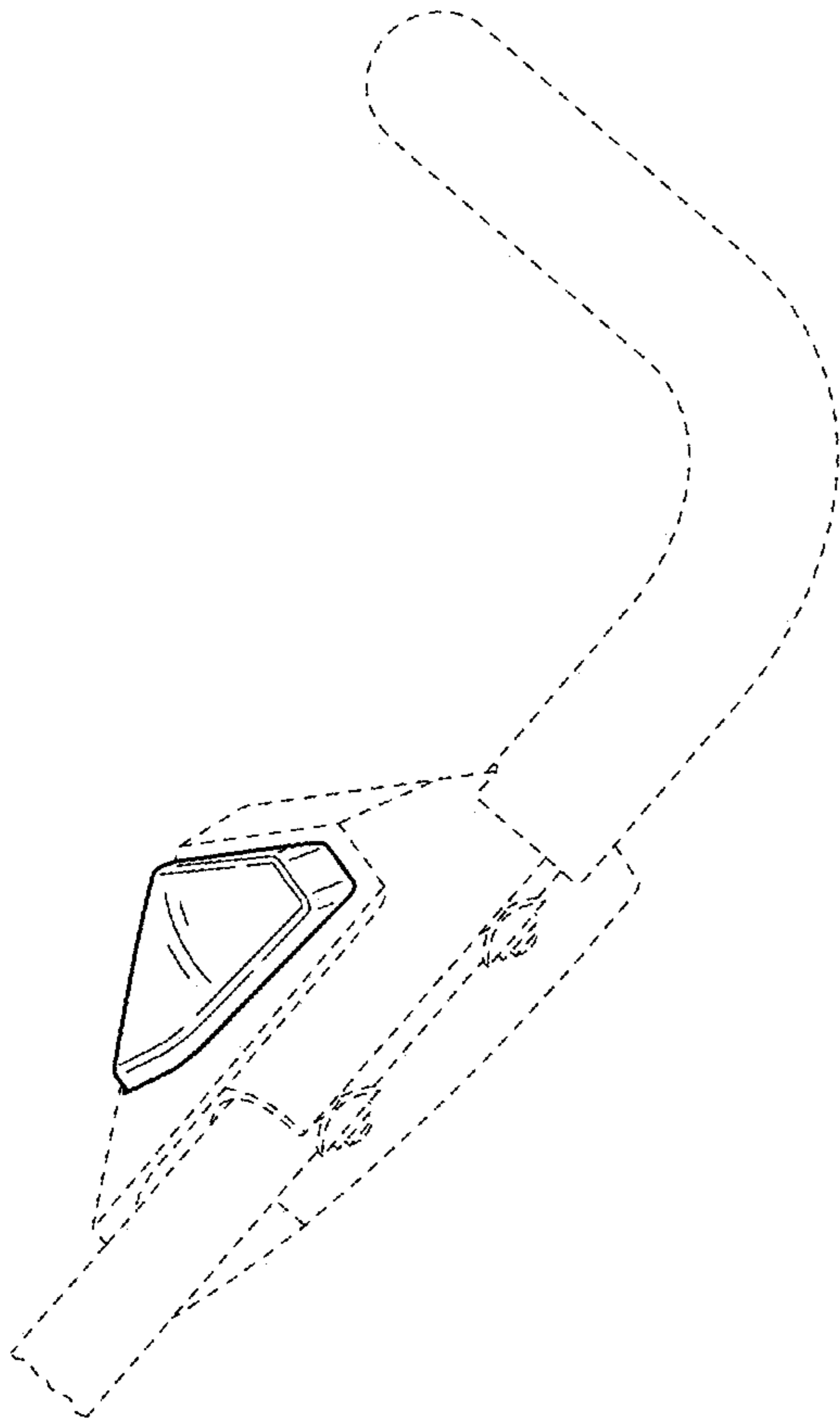


FIG. 3

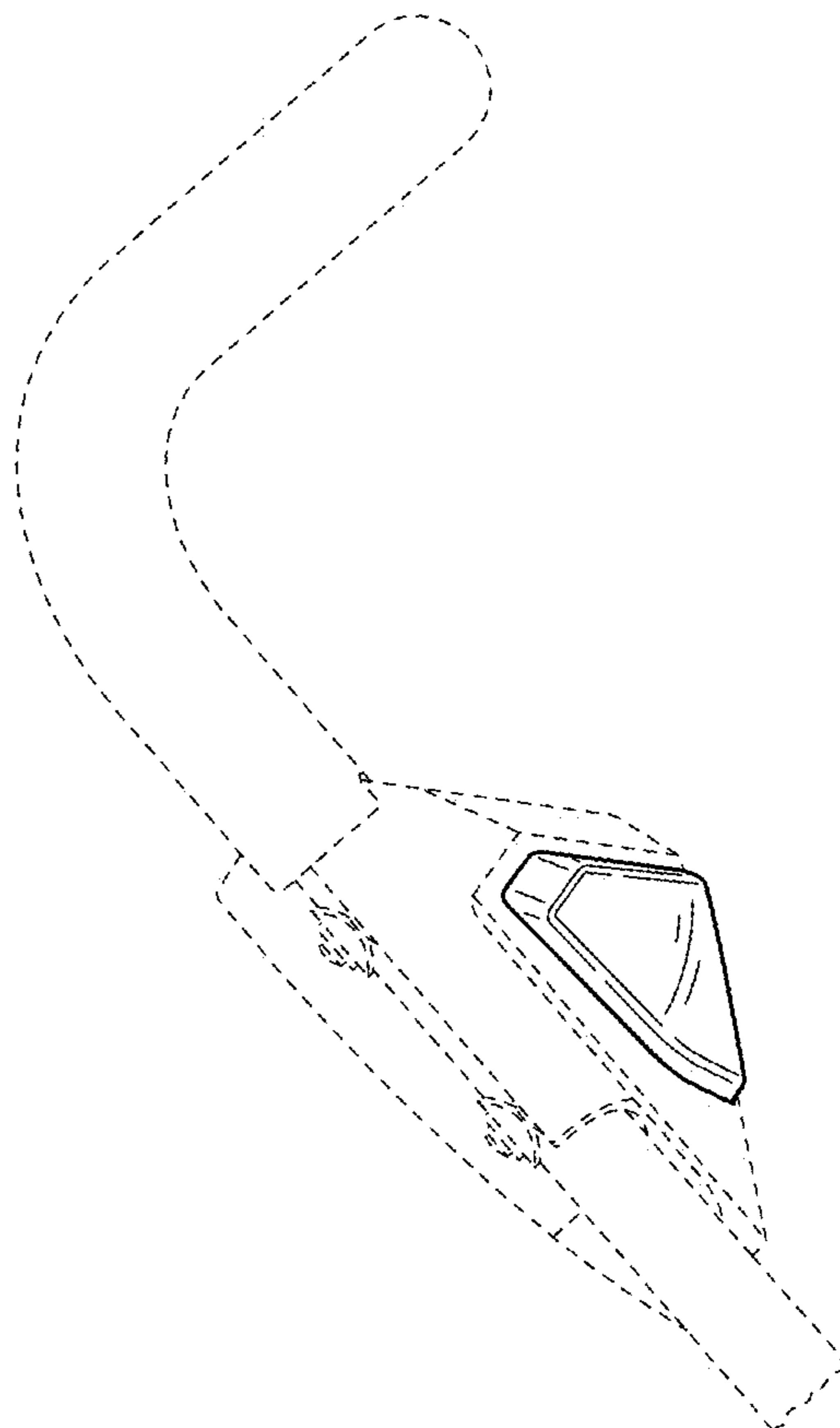


FIG. 4

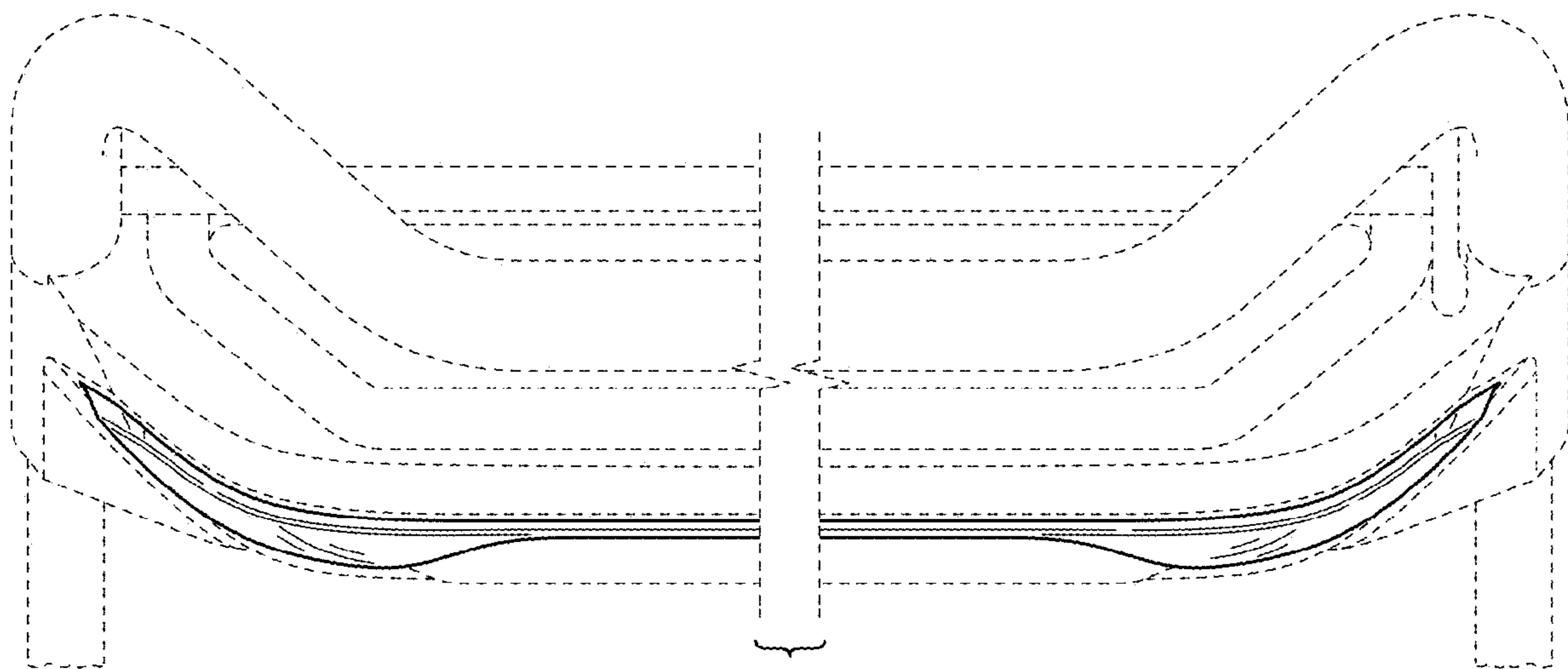


FIG. 5

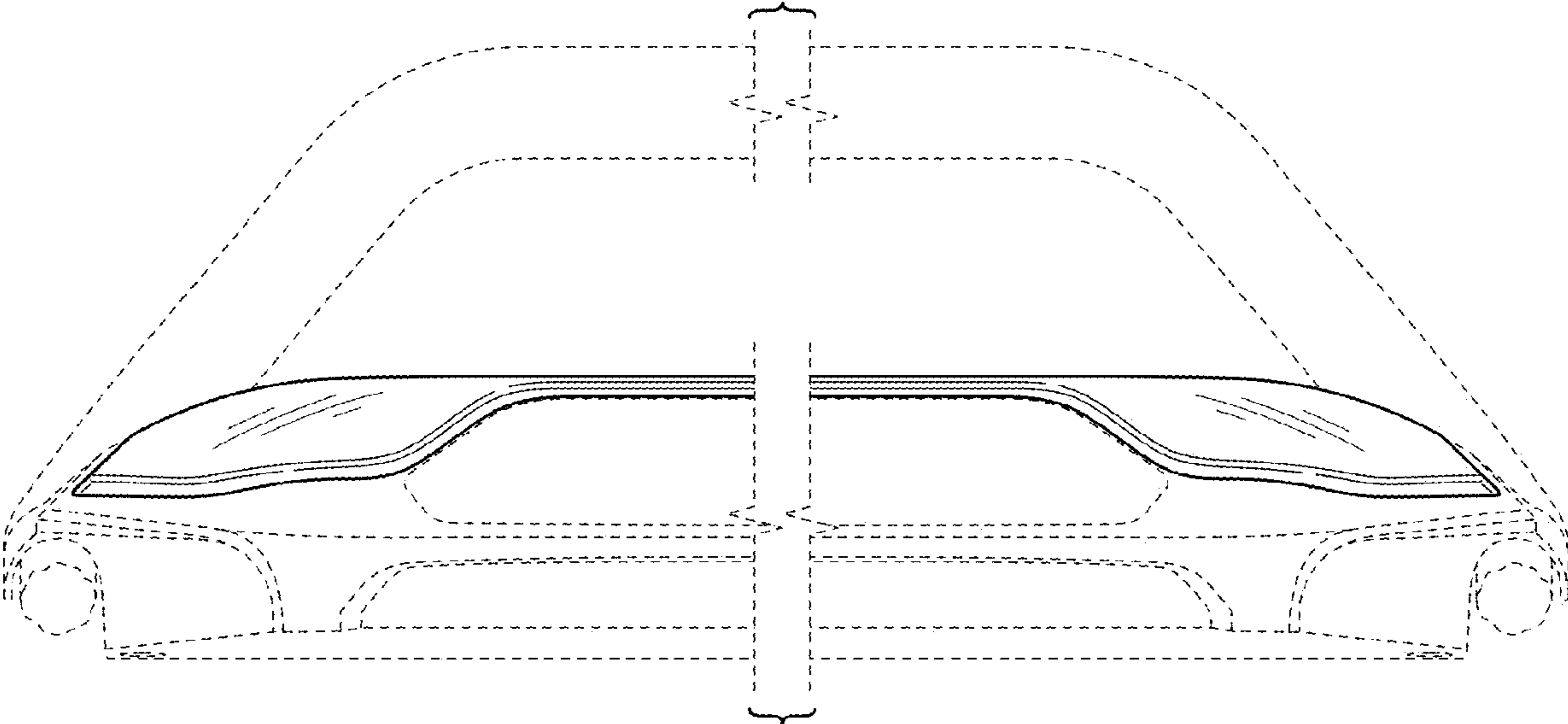


FIG. 6

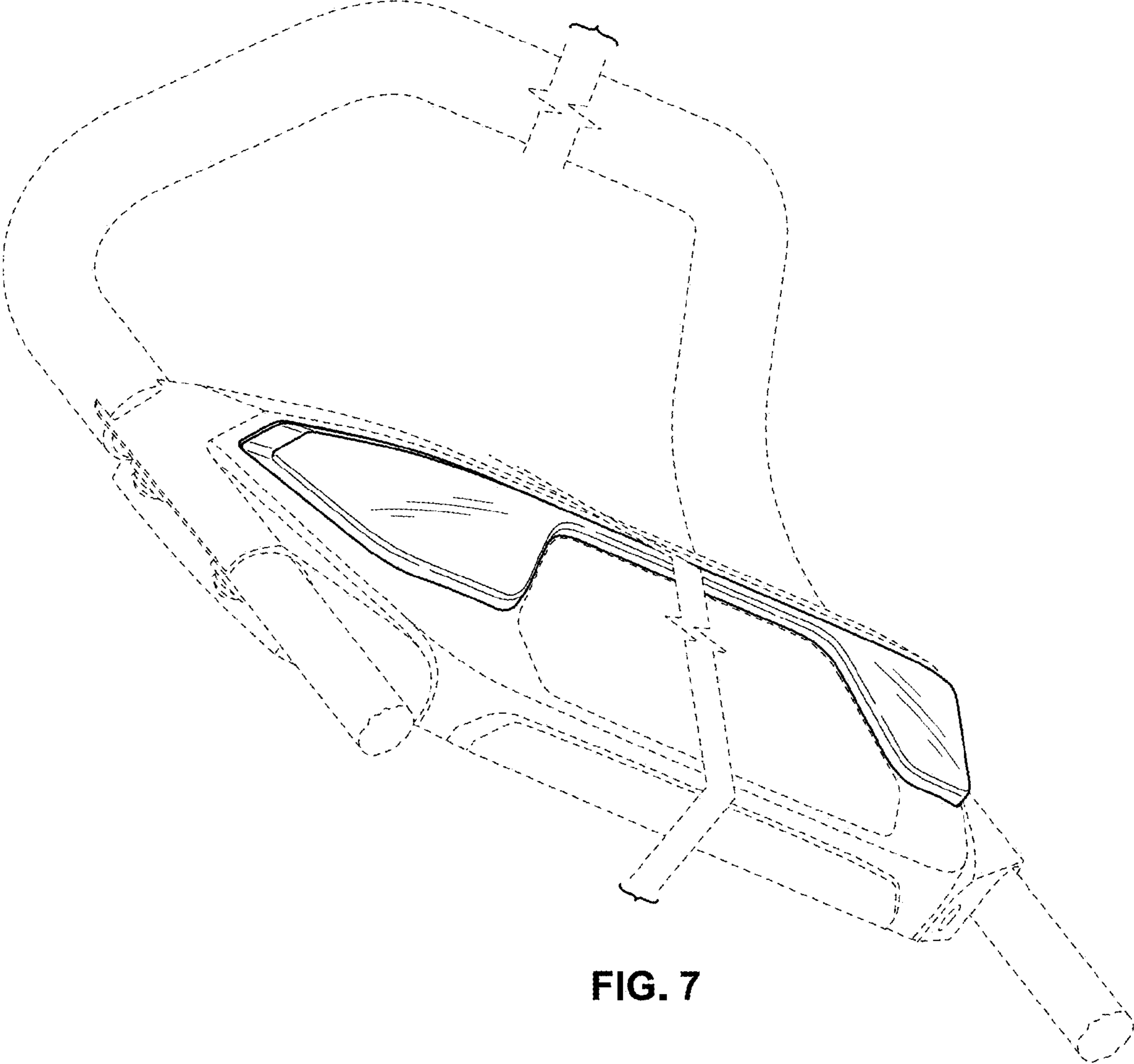


FIG. 7

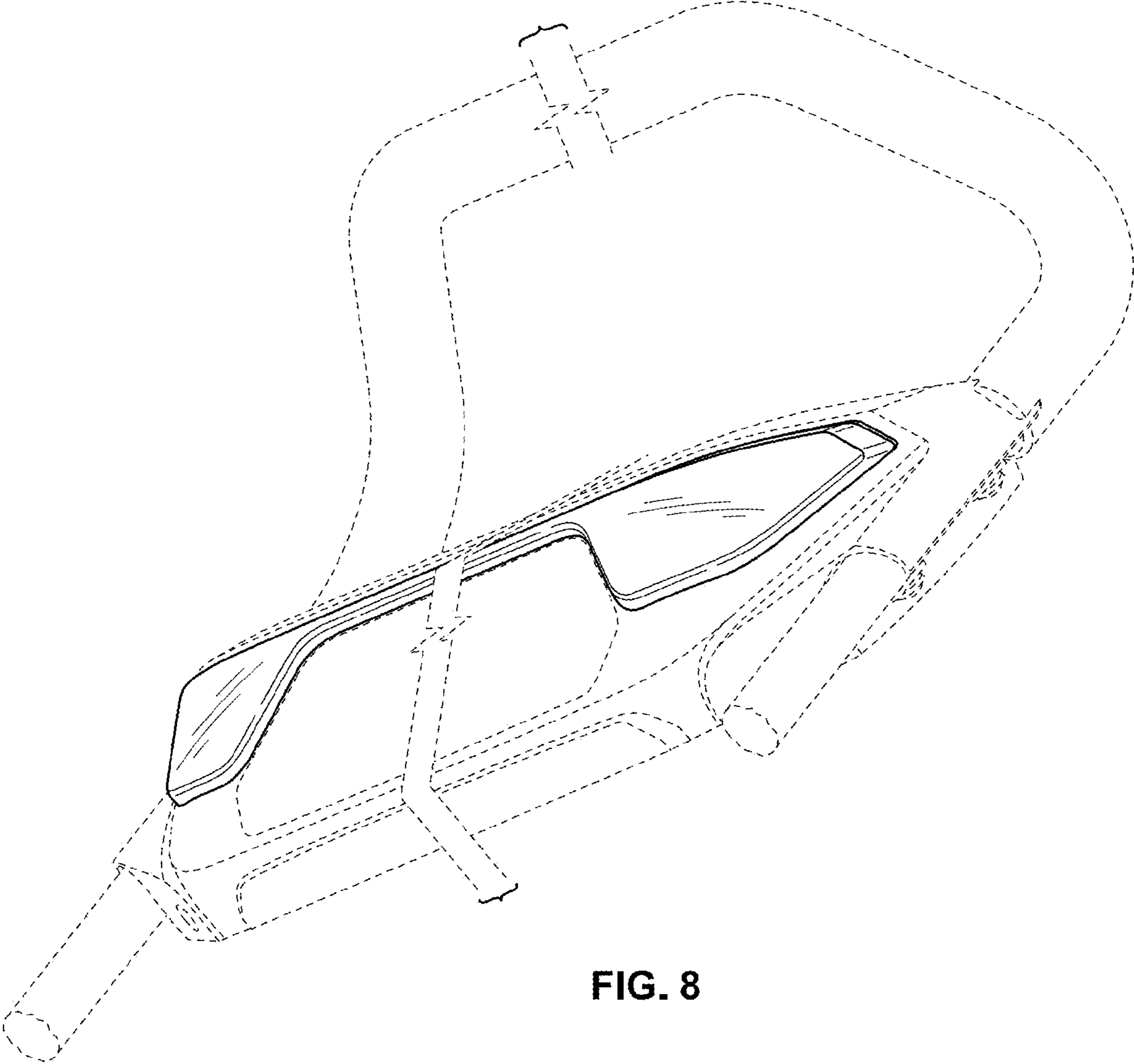


FIG. 8