

US00D872323S

(12) **United States Design Patent**
Schmidt

(10) **Patent No.:** **US D872,323 S**

(45) **Date of Patent:** **** Jan. 7, 2020**

(54) **CANDLE**

(71) Applicant: **Meredith Emory Schmidt**, Raleigh,
NC (US)

(72) Inventor: **Meredith Emory Schmidt**, Raleigh,
NC (US)

(**) Term: **15 Years**

(21) Appl. No.: **29/614,373**

(22) Filed: **Aug. 18, 2017**

(51) **LOC (12) Cl.** **26-01**

(52) **U.S. Cl.**
USPC **D26/14**

(58) **Field of Classification Search**
USPC D26/6, 7, 14, 32, 47, 57, 73, 94, 125,
D26/146, 147, 156; D34/1, 3, 8
CPC C11C 5/008; C11C 5/023; B65F 1/122
See application file for complete search history.

(56) **References Cited**

U.S. PATENT DOCUMENTS

D178,200 S *	7/1956	McKenzie	D26/6
D417,297 S *	11/1999	Dearth	D26/6
5,997,052 A *	12/1999	Reeb	B65F 1/1615
				292/148
D420,456 S *	2/2000	Dearth	D26/6
7,568,913 B2 *	8/2009	Decker	A61L 9/037
				431/298
D622,877 S *	8/2010	Seum	D26/6
D740,461 S *	10/2015	Decker	D26/6

9,718,616 B1 *	8/2017	Deming	B65F 1/1646
2006/0045680 A1 *	3/2006	d'Arc Lorenz	B65F 1/02
				414/408
2008/0197645 A1 *	8/2008	Hatamian	B65F 1/02
				294/68.1
2009/0179444 A1 *	7/2009	Apps	B65F 1/122
				294/68.2
2011/0036854 A1 *	2/2011	Baltz	B65F 1/02
				220/810
2016/0325931 A1 *	11/2016	Christenson	B65F 1/1415

* cited by examiner

Primary Examiner — Ian Simmons

Assistant Examiner — Keith Frank

(74) *Attorney, Agent, or Firm* — Ashley D. Johnson

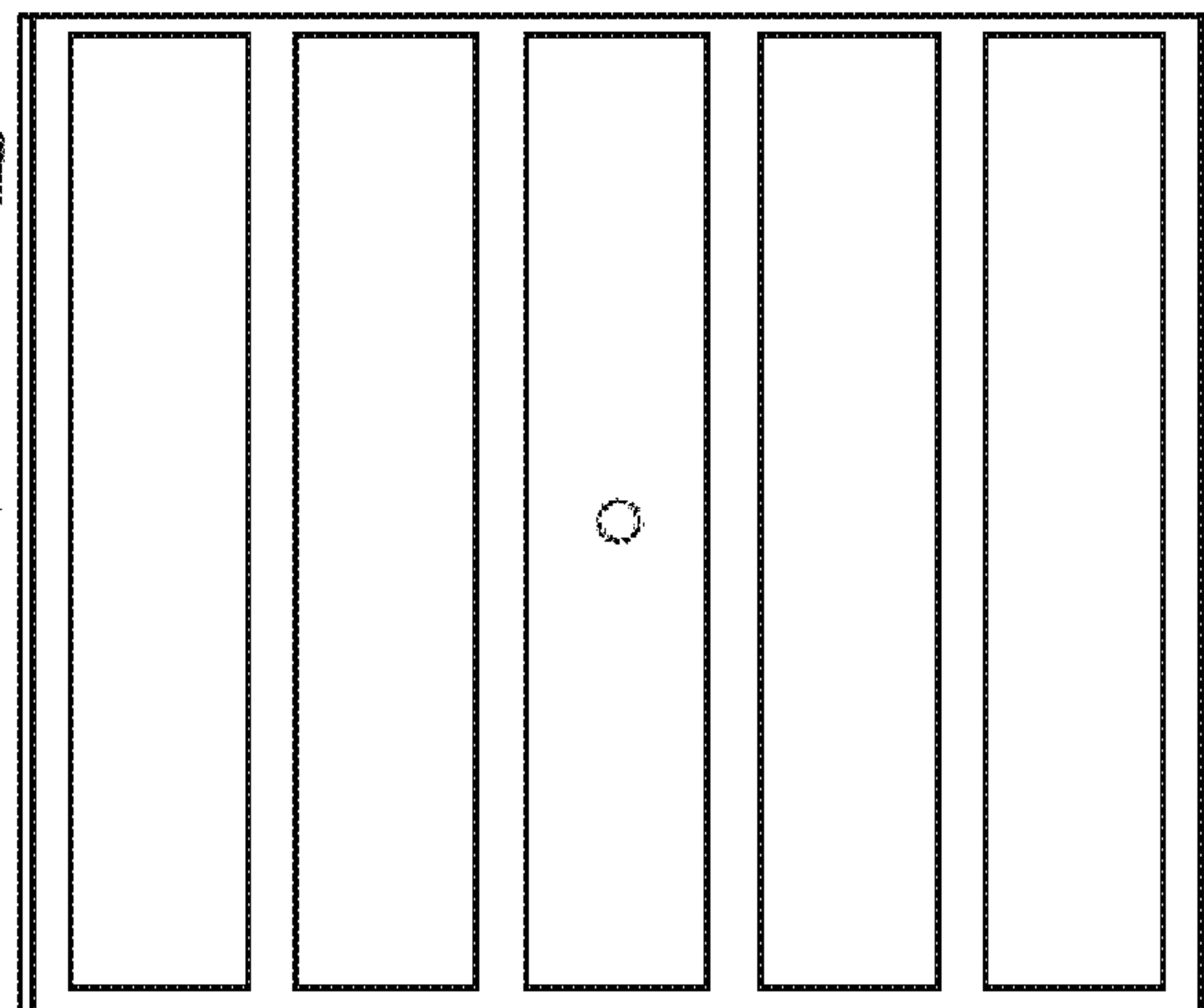
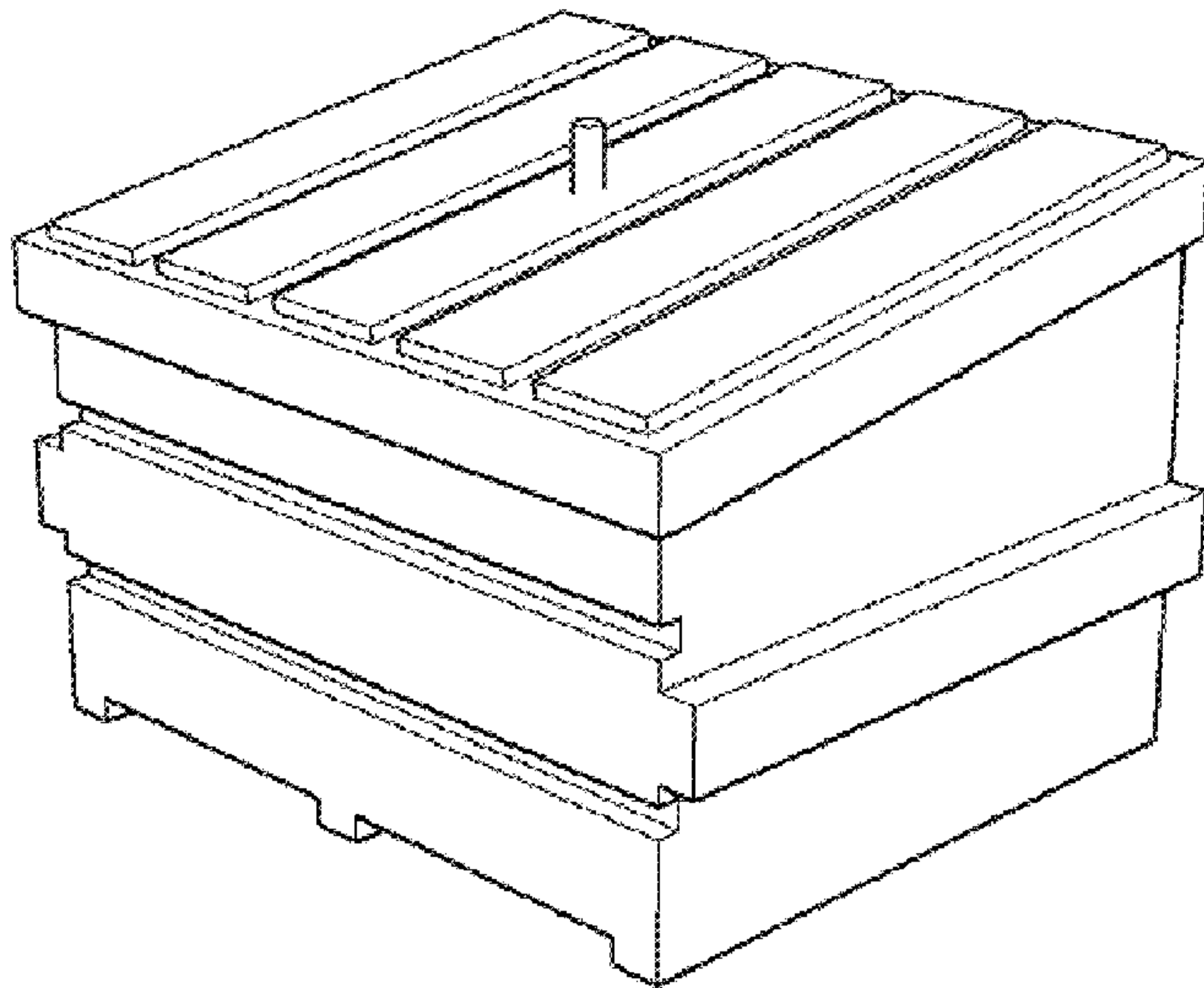
(57) **CLAIM**

The ornamental design for a candle, as shown and described.

DESCRIPTION

FIG. 1 is a top, front perspective view of a candle showing my new design;
FIG. 2 is a front perspective view thereof;
FIG. 3 is a rear perspective view thereof;
FIG. 4 is a top plan view thereof;
FIG. 5 is a bottom plan view thereof;
FIG. 6 is a side perspective view thereof; and,
FIG. 7 is an opposing side perspective view thereof.

1 Claim, 7 Drawing Sheets



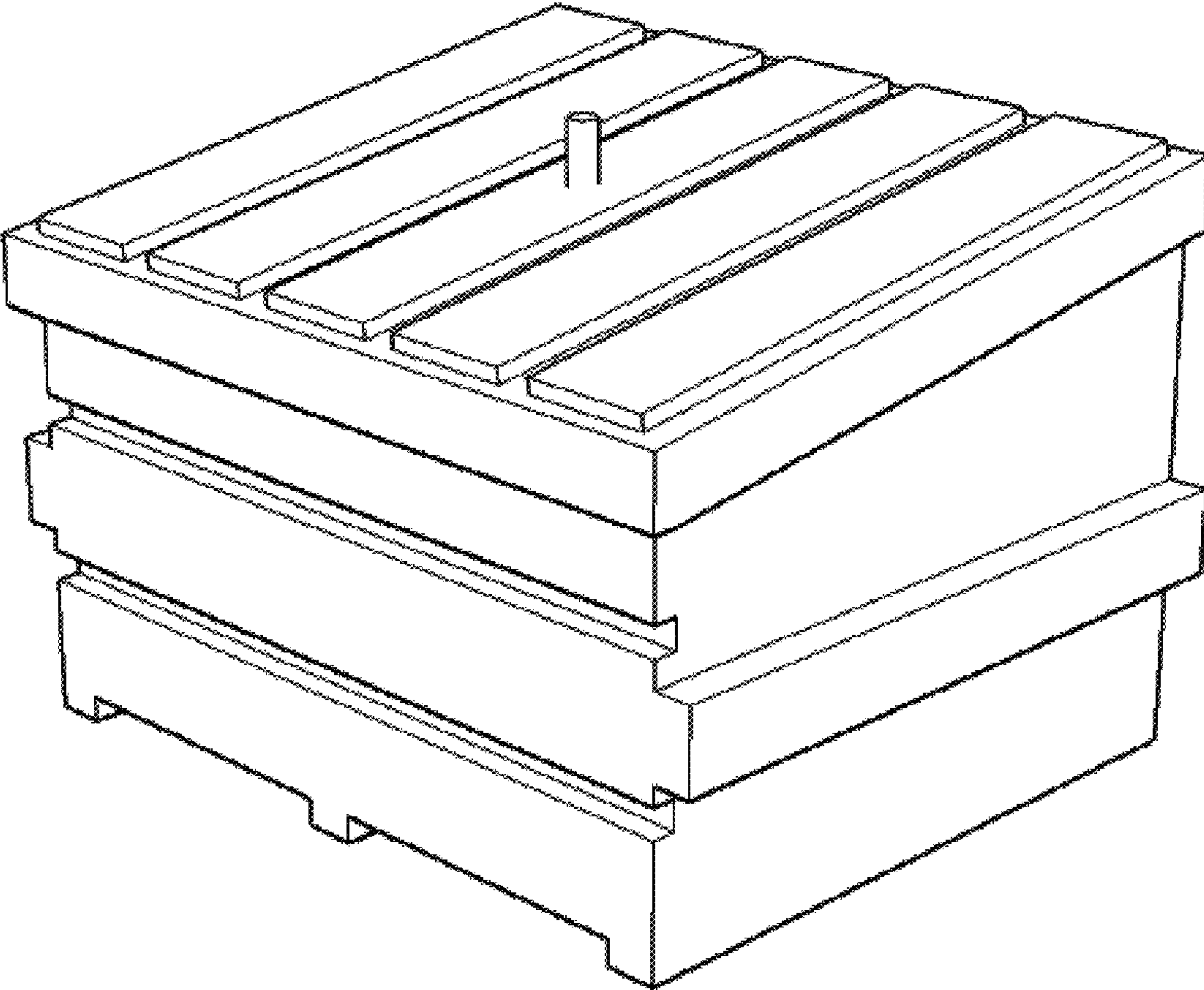


Fig. 1

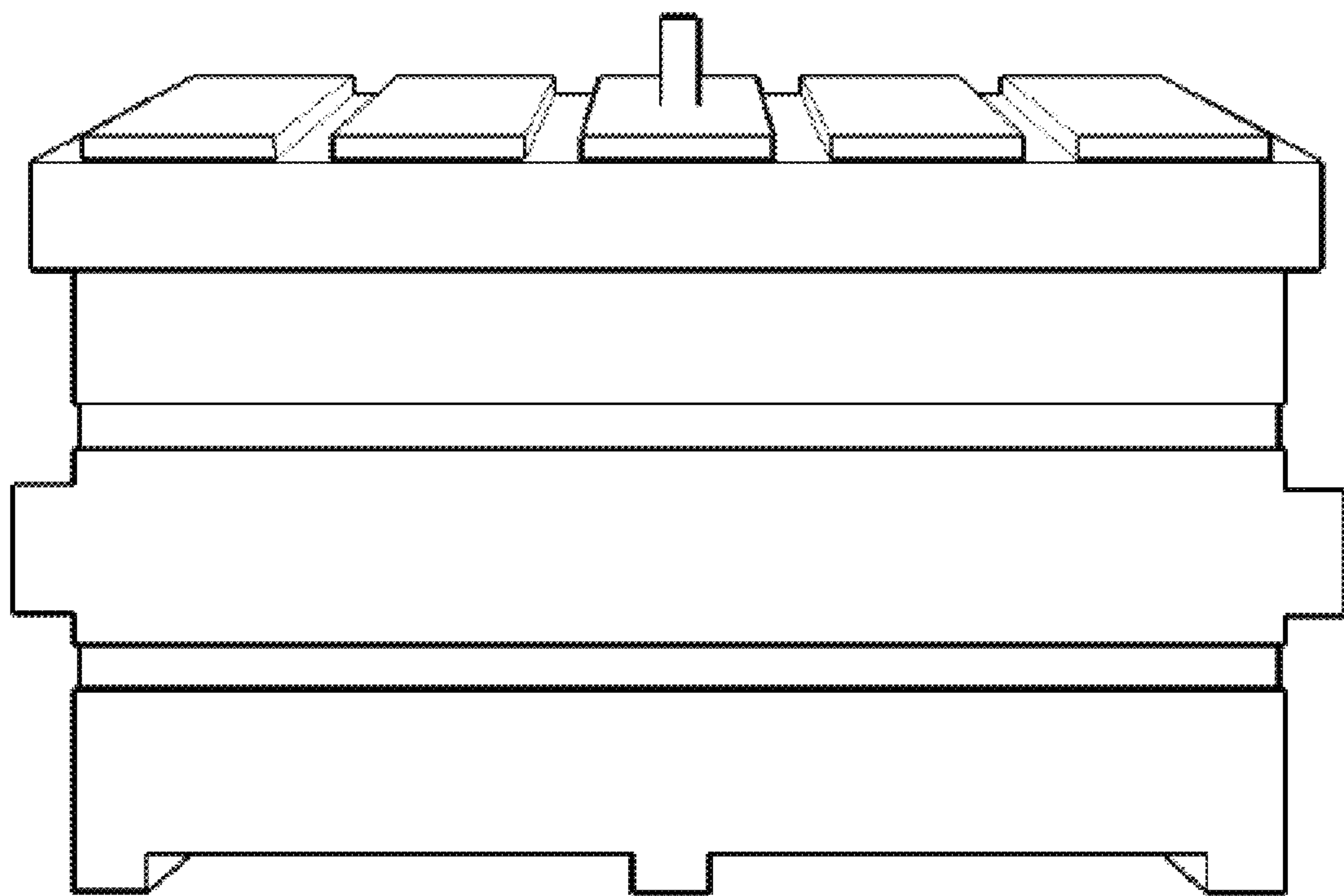


Fig. 2

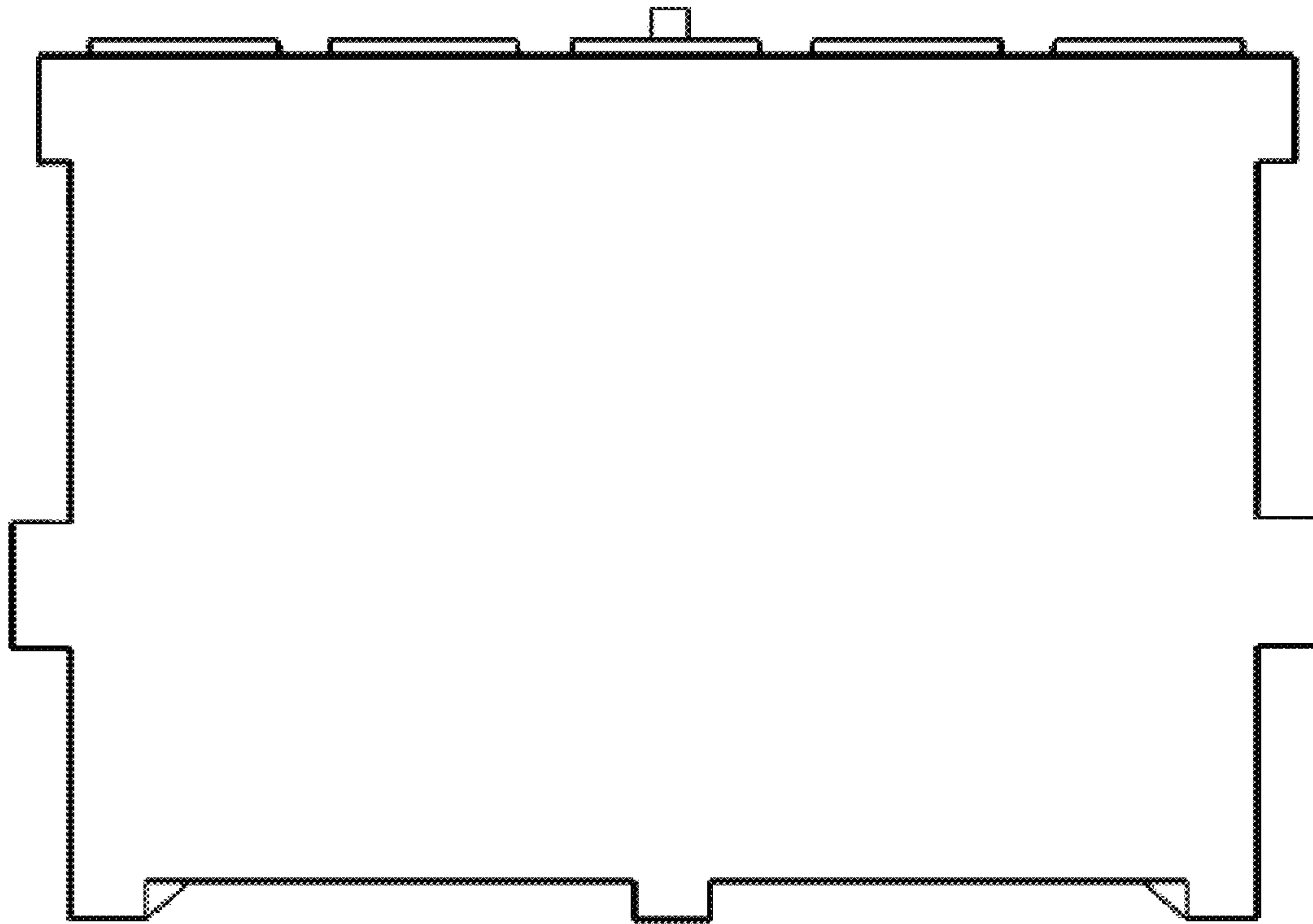


Fig. 3

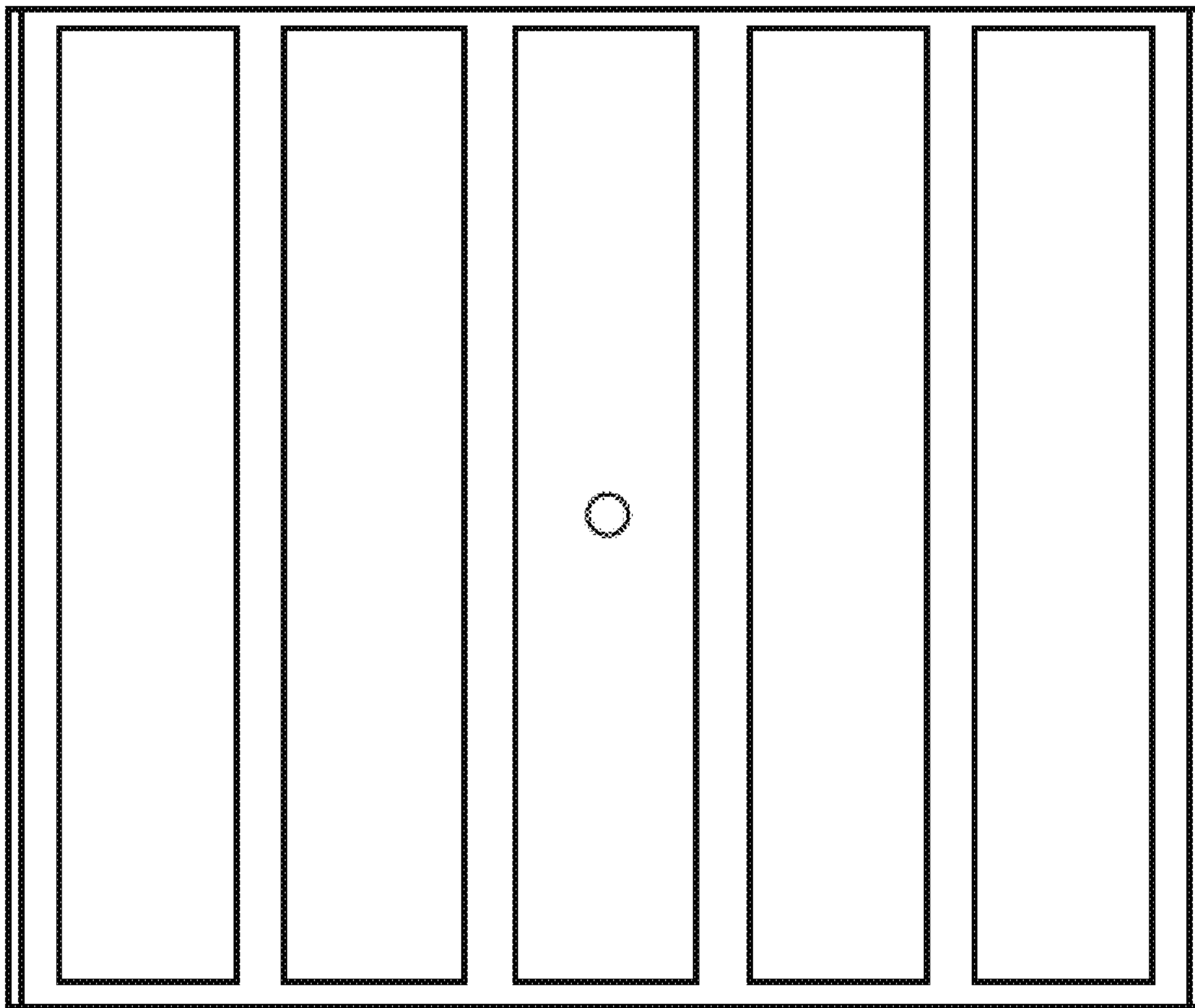


Fig. 4

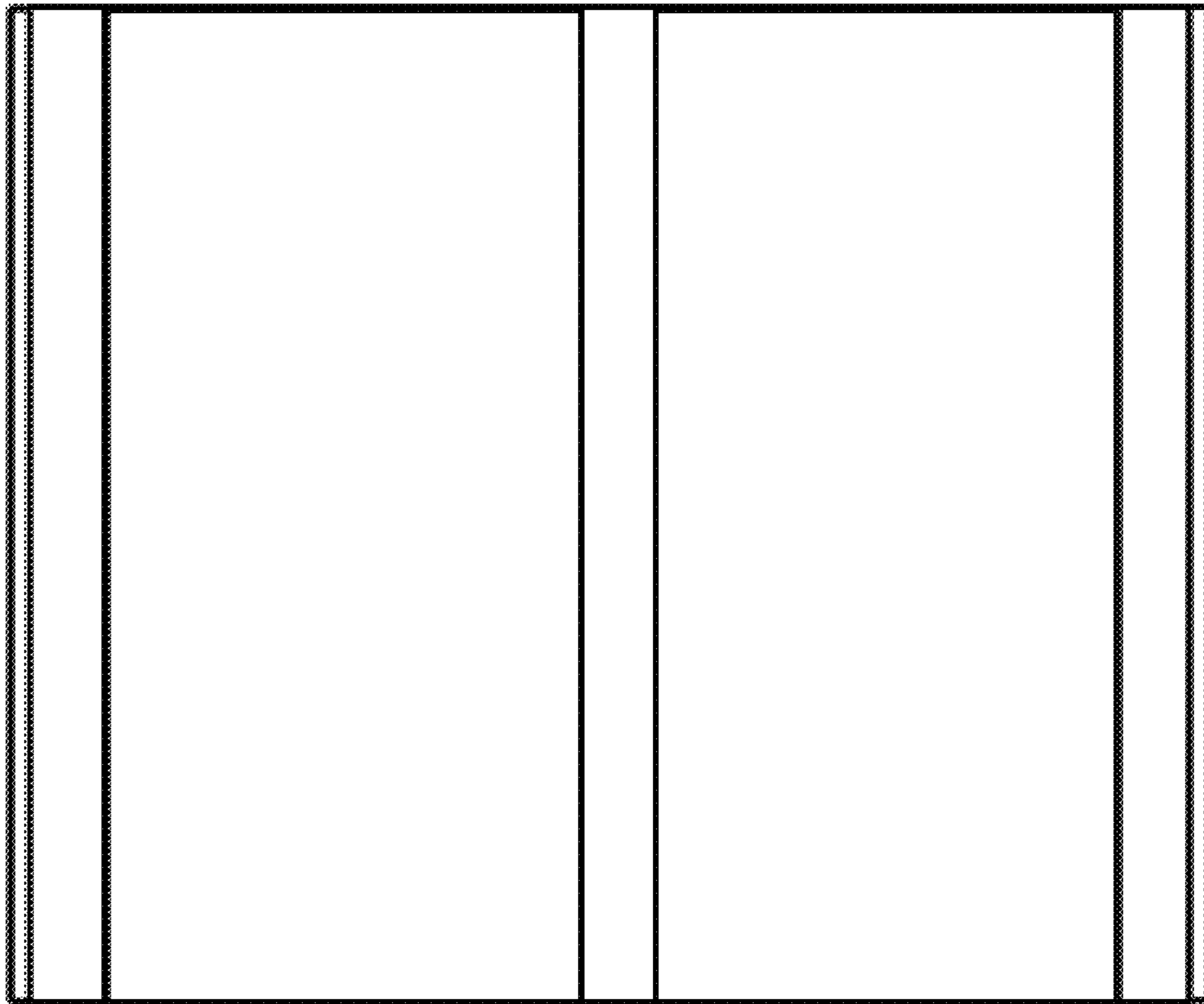


Fig. 5

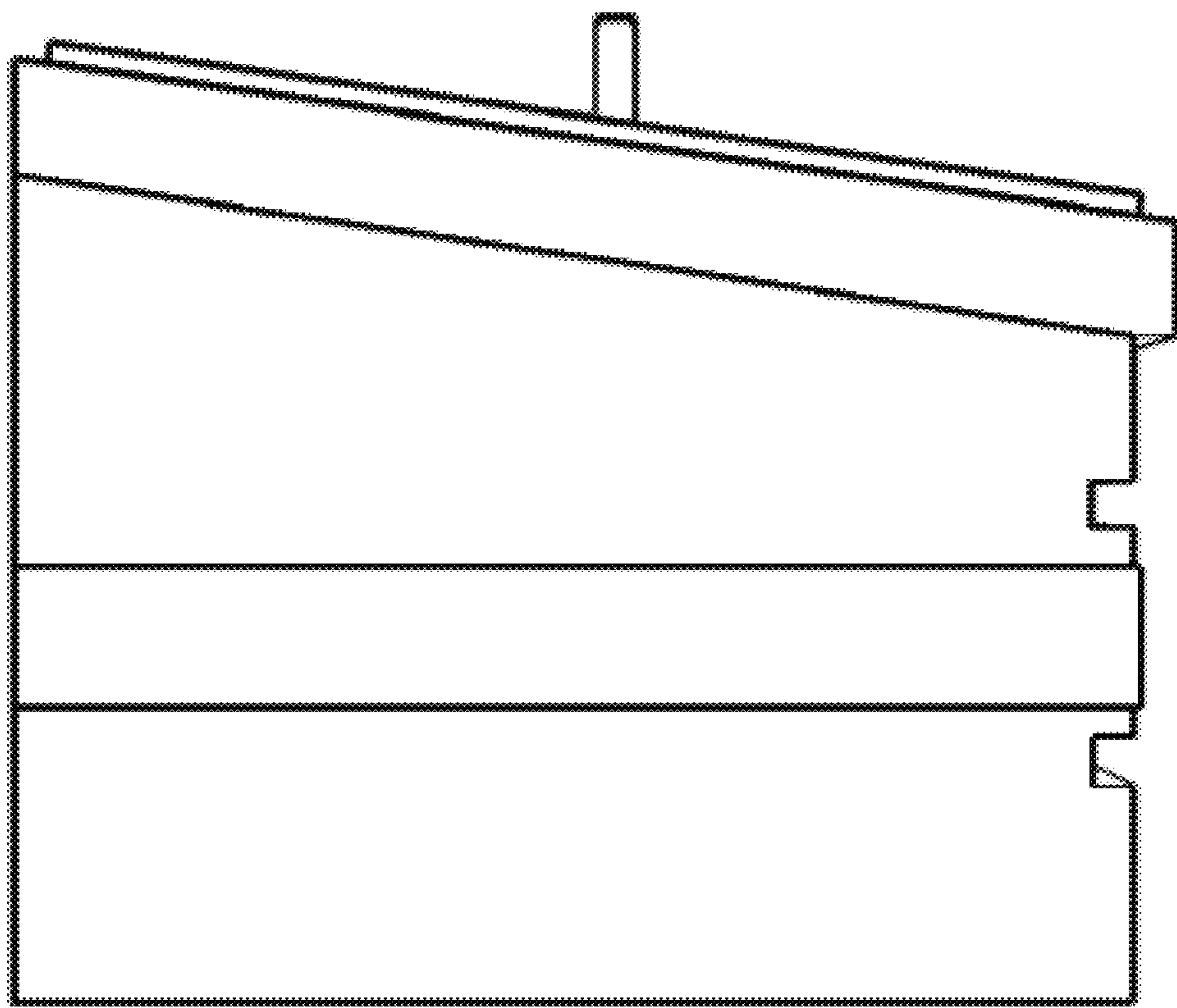


Fig. 6

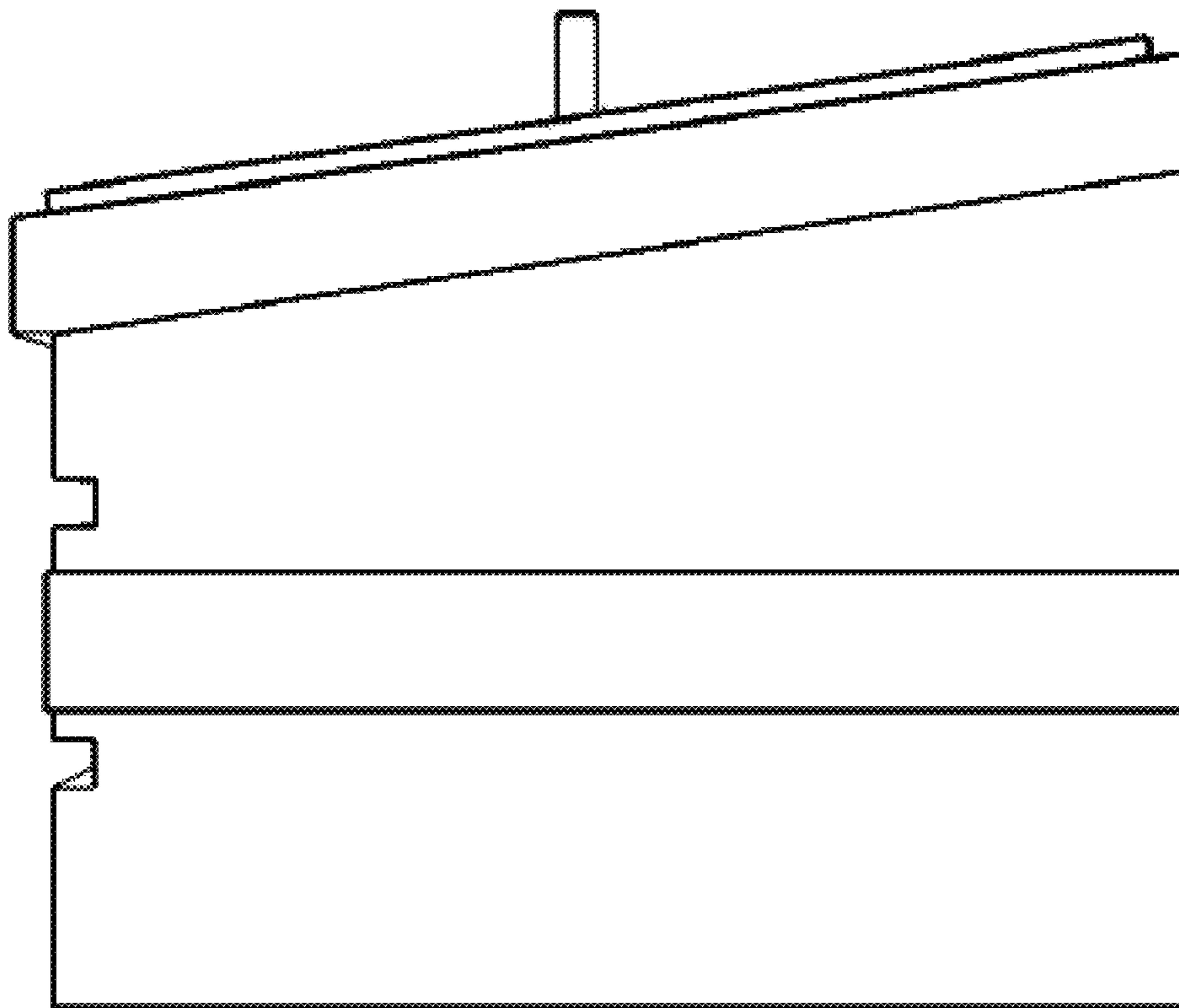


Fig. 7