



US00D872322S

(12) **United States Design Patent** (10) **Patent No.:** **US D872,322 S**  
**Xu** (45) **Date of Patent:** **\*\* Jan. 7, 2020**

(54) **LED LAMP**

*Primary Examiner* — Marcus A Jackson

(71) Applicant: **SHENZHEN SNC OPTO ELECTRONIC CO., LTD.**, Shenzhen (CN)

(57) **CLAIM**  
The ornamental design for an LED lamp, as shown and described.

(72) Inventor: **Jianjun Xu**, Shenzhen (CN)

**DESCRIPTION**

(73) Assignee: **SHENZHEN SNC OPTO ELECTRONIC CO., LTD.**, Shenzhen (CN)

(\*\*) Term: **15 Years**

(21) Appl. No.: **29/668,810**

(22) Filed: **Nov. 2, 2018**

(51) **LOC (12) Cl.** ..... **26-04**

(52) **U.S. Cl.**  
USPC ..... **D26/2**

(58) **Field of Classification Search**  
USPC ..... D26/1-4  
CPC ..... H01R 5/00; H01R 13/46; H01R 13/514;  
H01R 31/048; H01R 31/02; H01J 5/00;  
H01J 5/16; H01J 1/02; H01J 15/00; H01J  
5/48; H01J 5/50; H01J 19/54; F21V 5/00;  
F21V 29/004; F21K 9/00; F21K 13/00  
See application file for complete search history.

FIG. 1 is a perspective view of the LED lamp in accordance with a first embodiment showing my new design;  
FIG. 2 is similar to FIG. 1, viewed from another aspect;  
FIG. 3 is a front elevational view thereof;  
FIG. 4 is a rear elevational view thereof;  
FIG. 5 is a left side elevational view thereof;  
FIG. 6 is a right side elevational view thereof;  
FIG. 7 is a top plan view thereof;  
FIG. 8 is a bottom plan view thereof;  
FIG. 9 is an enlarged view of a circle portion 9 of FIG. 1;  
FIG. 10 is a perspective view of the LED lamp in accordance with a second embodiment;  
FIG. 11 is similar to FIG. 10, viewed from another aspect;  
FIG. 12 is a front elevational view thereof;  
FIG. 13 is a rear elevational view thereof;  
FIG. 14 is a left side elevational view thereof;  
FIG. 15 is a right side elevational view thereof;  
FIG. 16 is a top plan view thereof;  
FIG. 17 is a bottom plan view thereof;  
FIG. 18 is an enlarged view of a circle portion 18 of FIG. 10;  
FIG. 19 is a perspective view of the LED lamp in accordance with a third embodiment;  
FIG. 20 is similar to FIG. 19, viewed from another aspect;  
FIG. 21 is a front elevational view thereof;  
FIG. 22 is a rear elevational view thereof;  
FIG. 23 is a left side elevational view thereof;  
FIG. 24 is a right side elevational view thereof;  
FIG. 25 is a top plan view thereof;  
FIG. 26 is a bottom plan view thereof; and,  
FIG. 27 is an enlarged view of a circle portion 27 of FIG. 21.  
The broken lines are for the purposes of illustrating portions of the LED lamp and form no part of the claimed design.

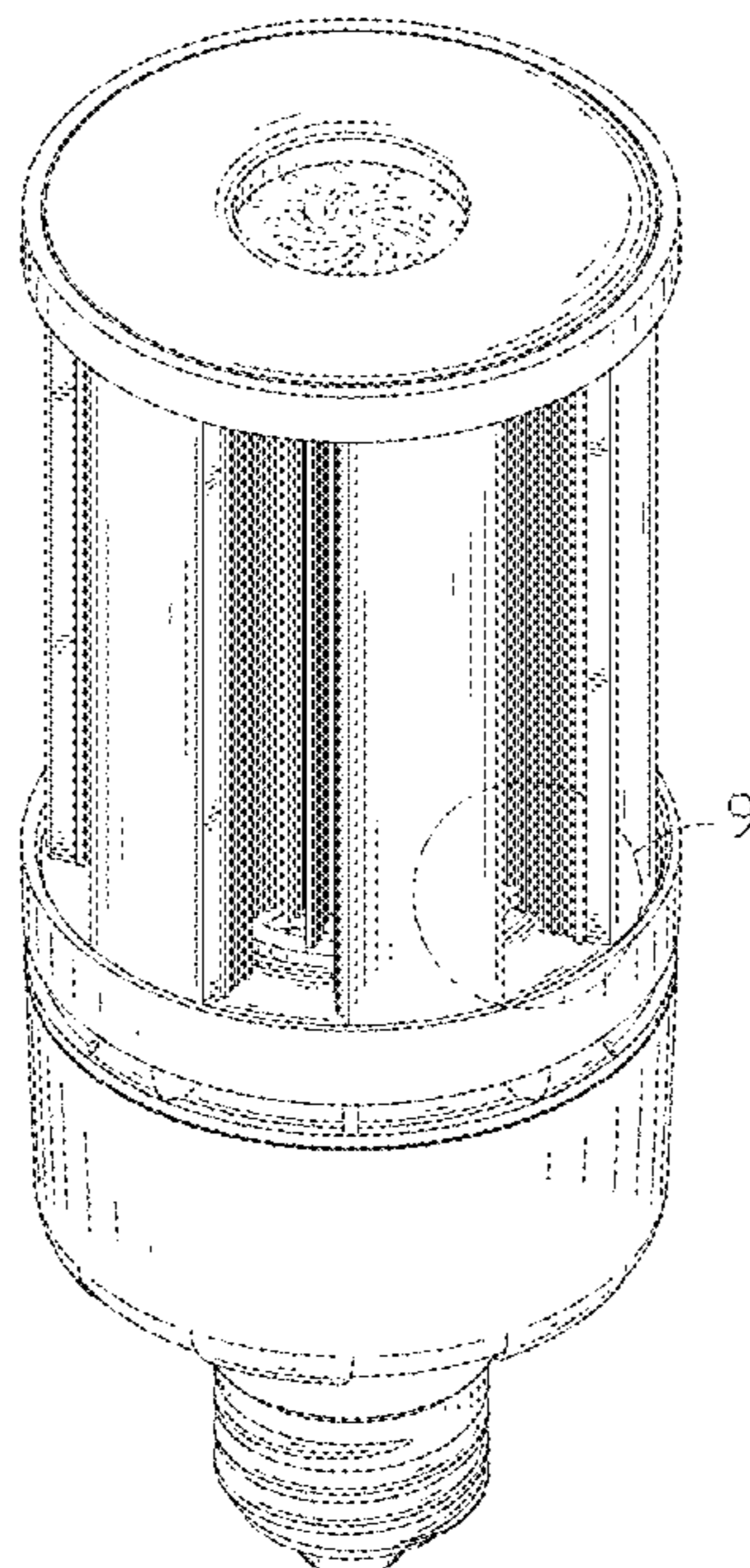
(56) **References Cited**

U.S. PATENT DOCUMENTS

D553,266 S \* 10/2007 Maxik ..... D26/2  
D566,300 S \* 4/2008 Lo ..... D26/2  
D574,091 S \* 7/2008 Sun ..... D26/2

(Continued)

**1 Claim, 27 Drawing Sheets**



(56)

**References Cited**

U.S. PATENT DOCUMENTS

D584,838 S \* 1/2009 To ..... D26/2  
D646,802 S \* 10/2011 Guohui ..... D26/2  
D695,426 S \* 12/2013 Tu ..... D26/2

\* cited by examiner

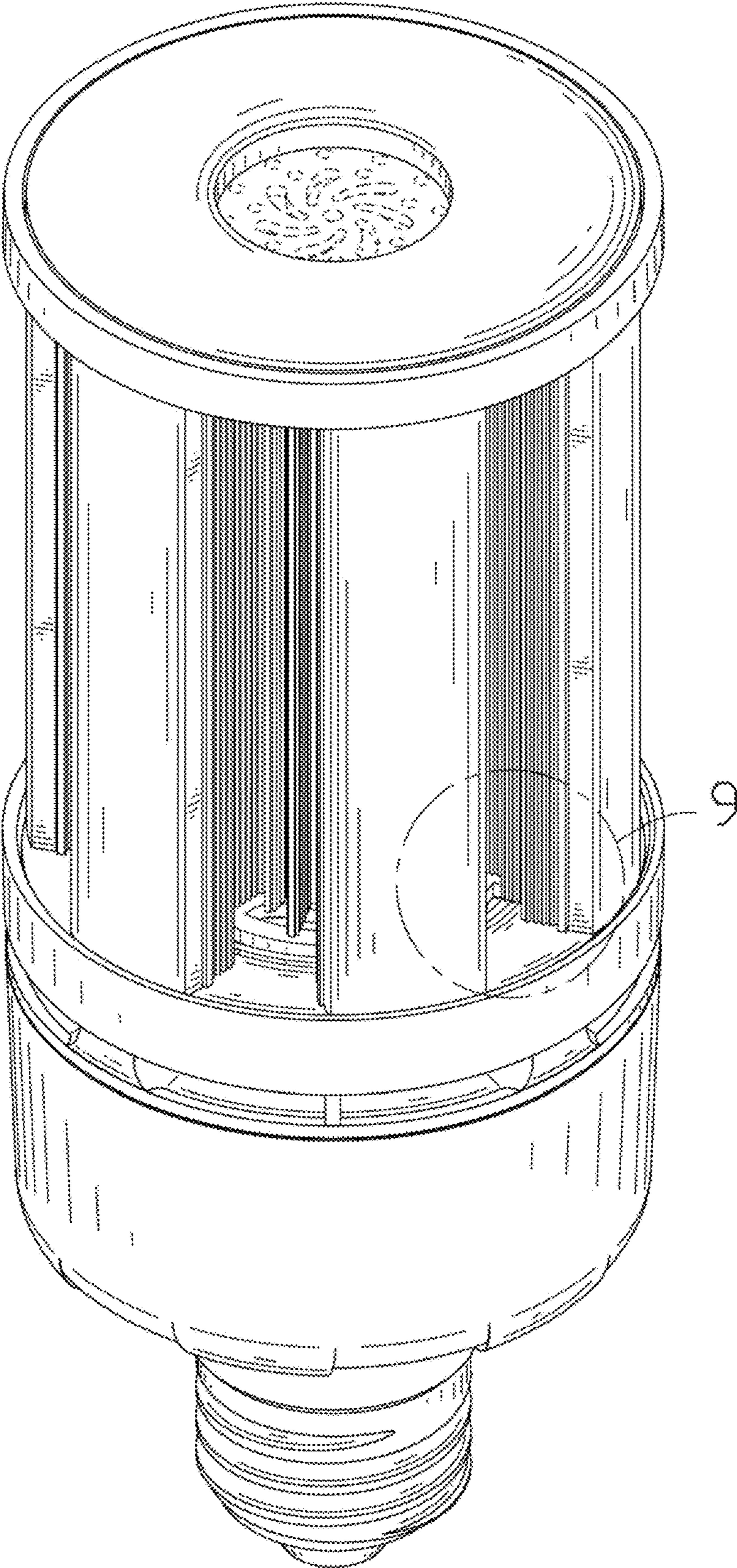


FIG. 1

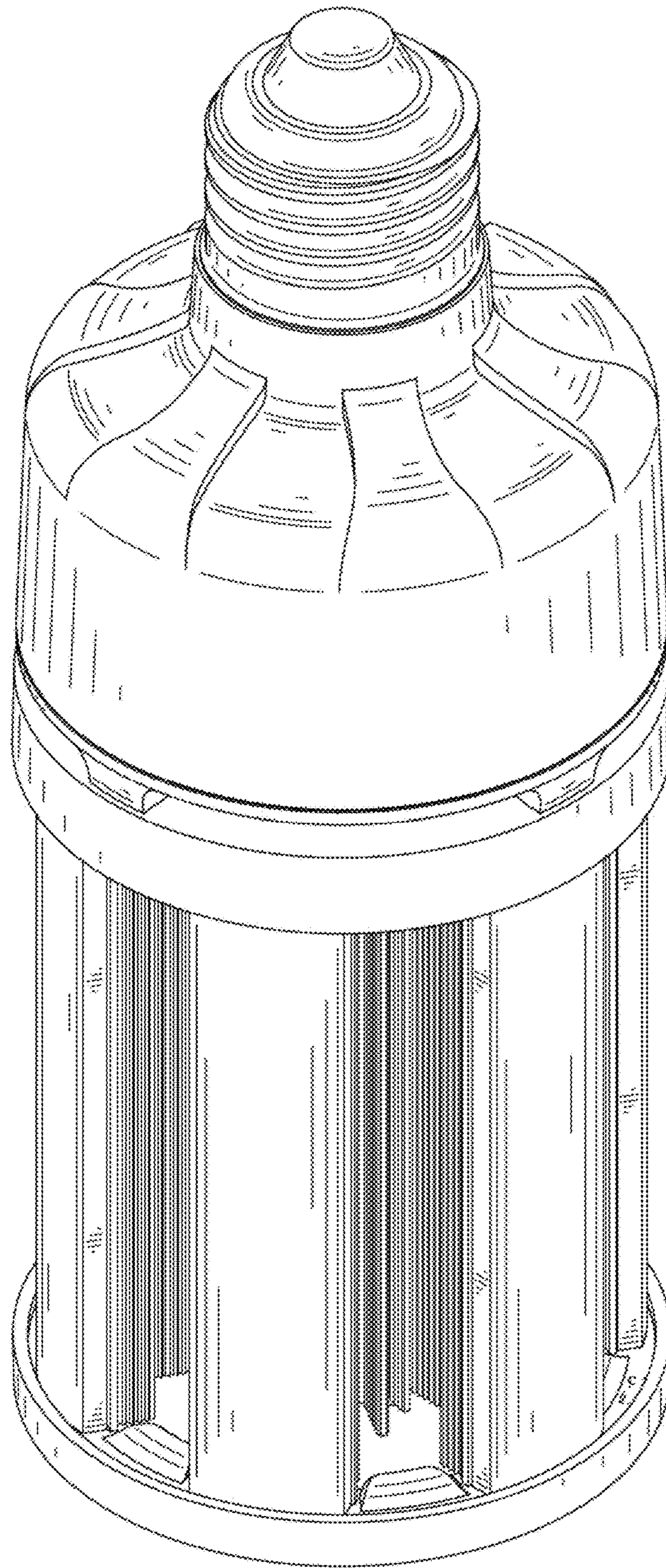


FIG. 2

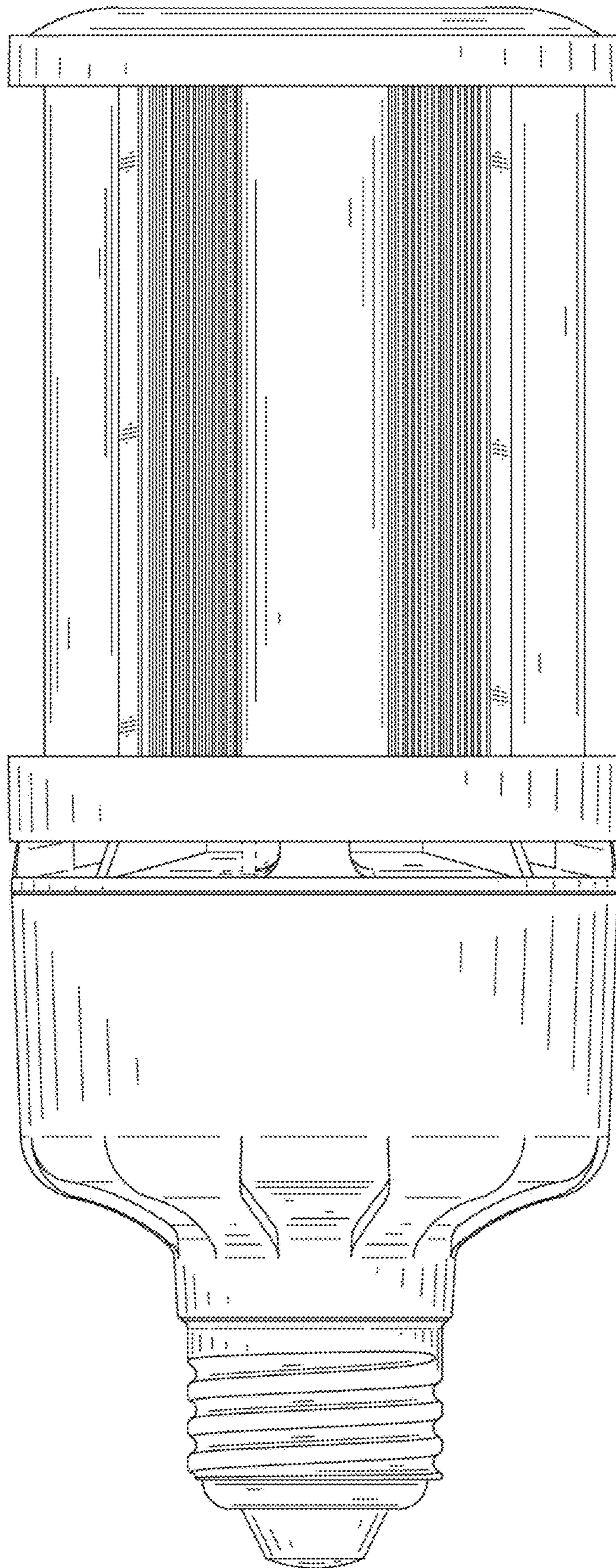


FIG. 3

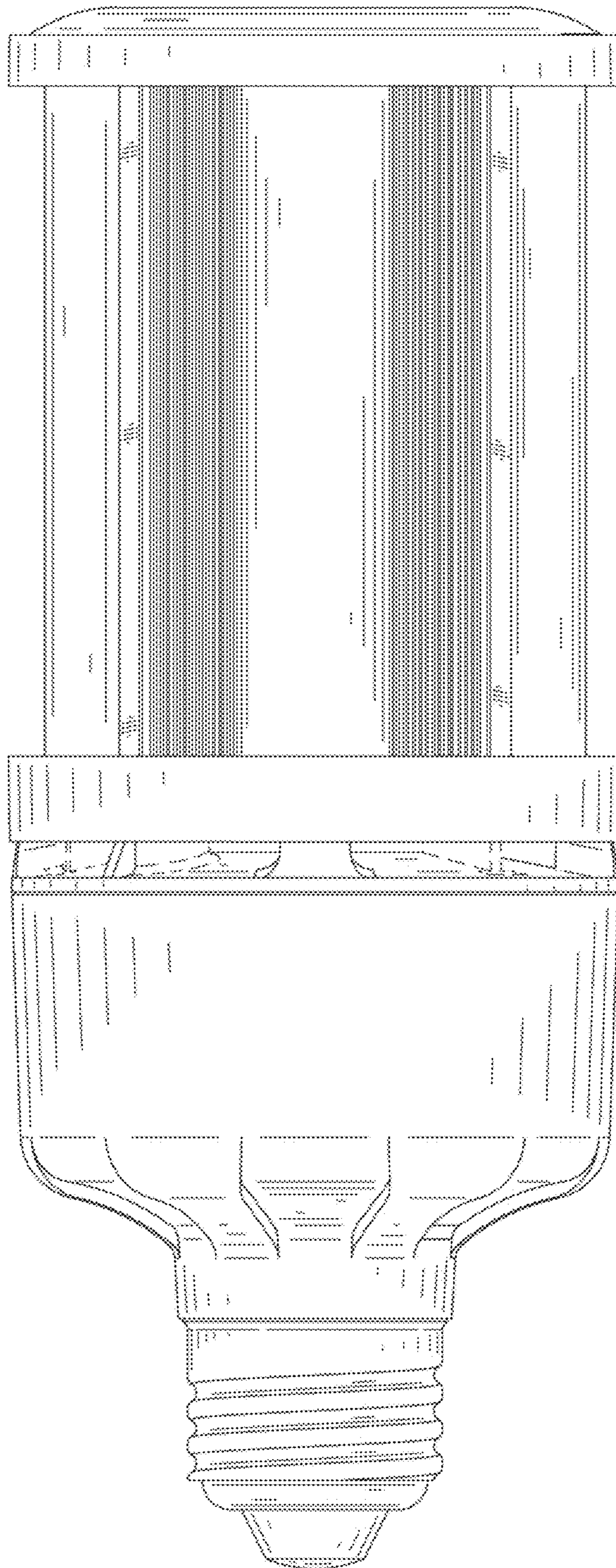


FIG. 4

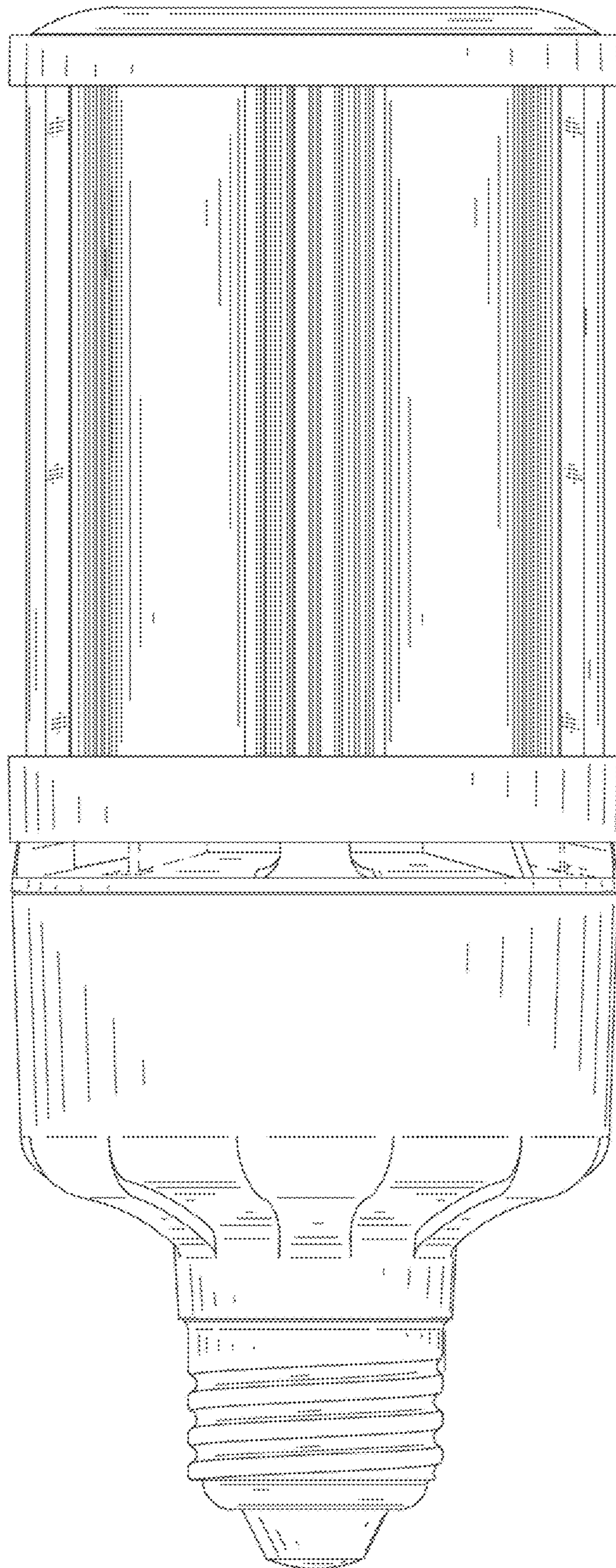


FIG. 5

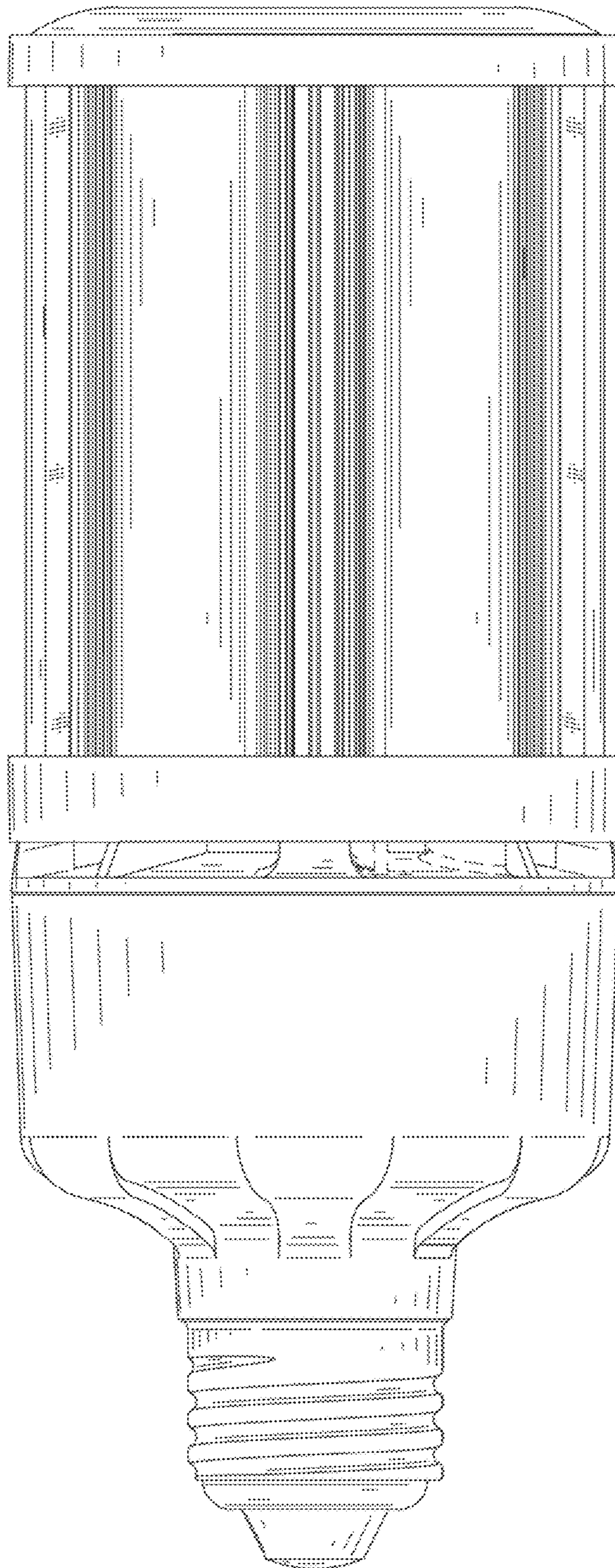


FIG. 6



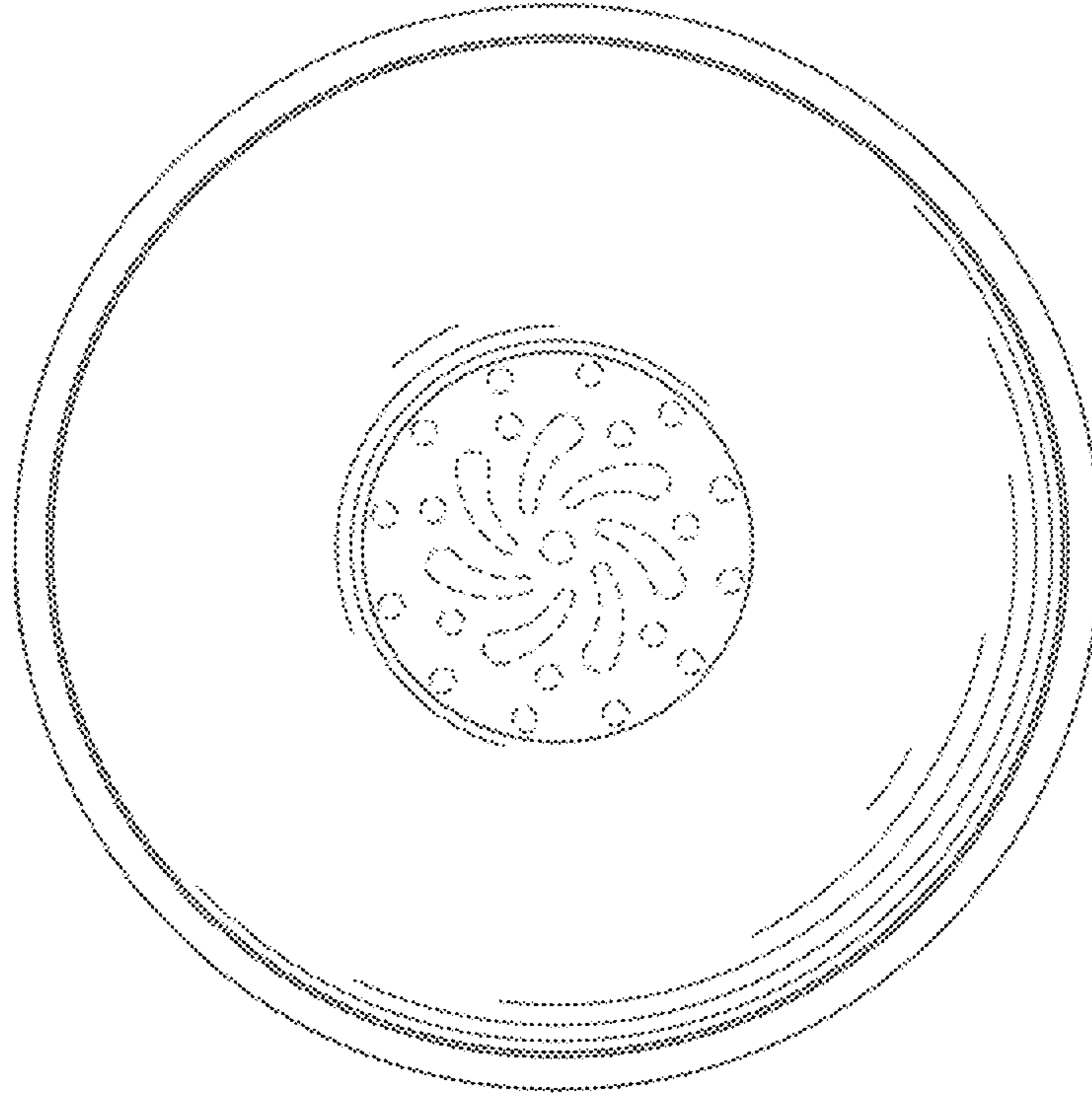


FIG. 7

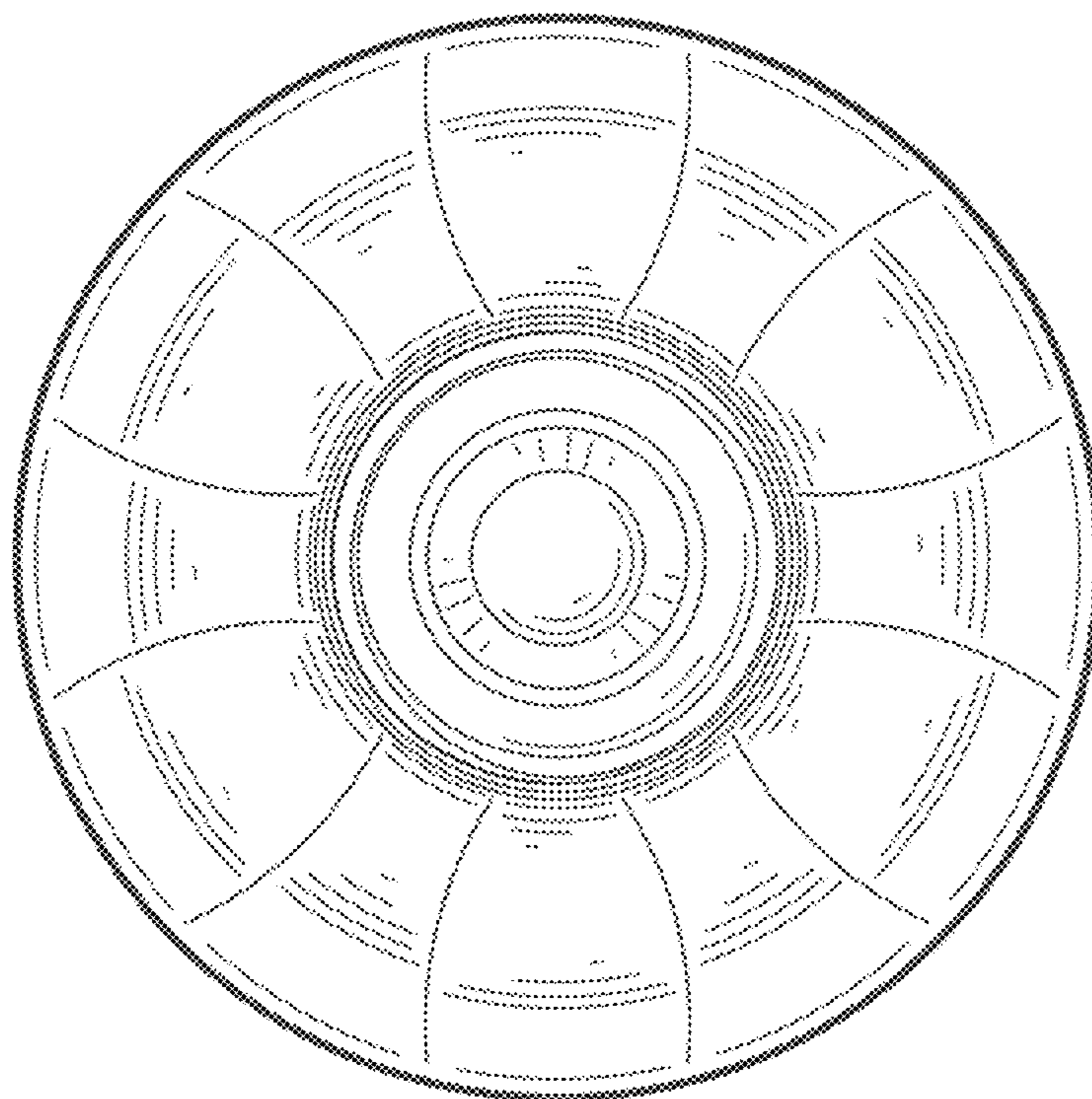


FIG. 8

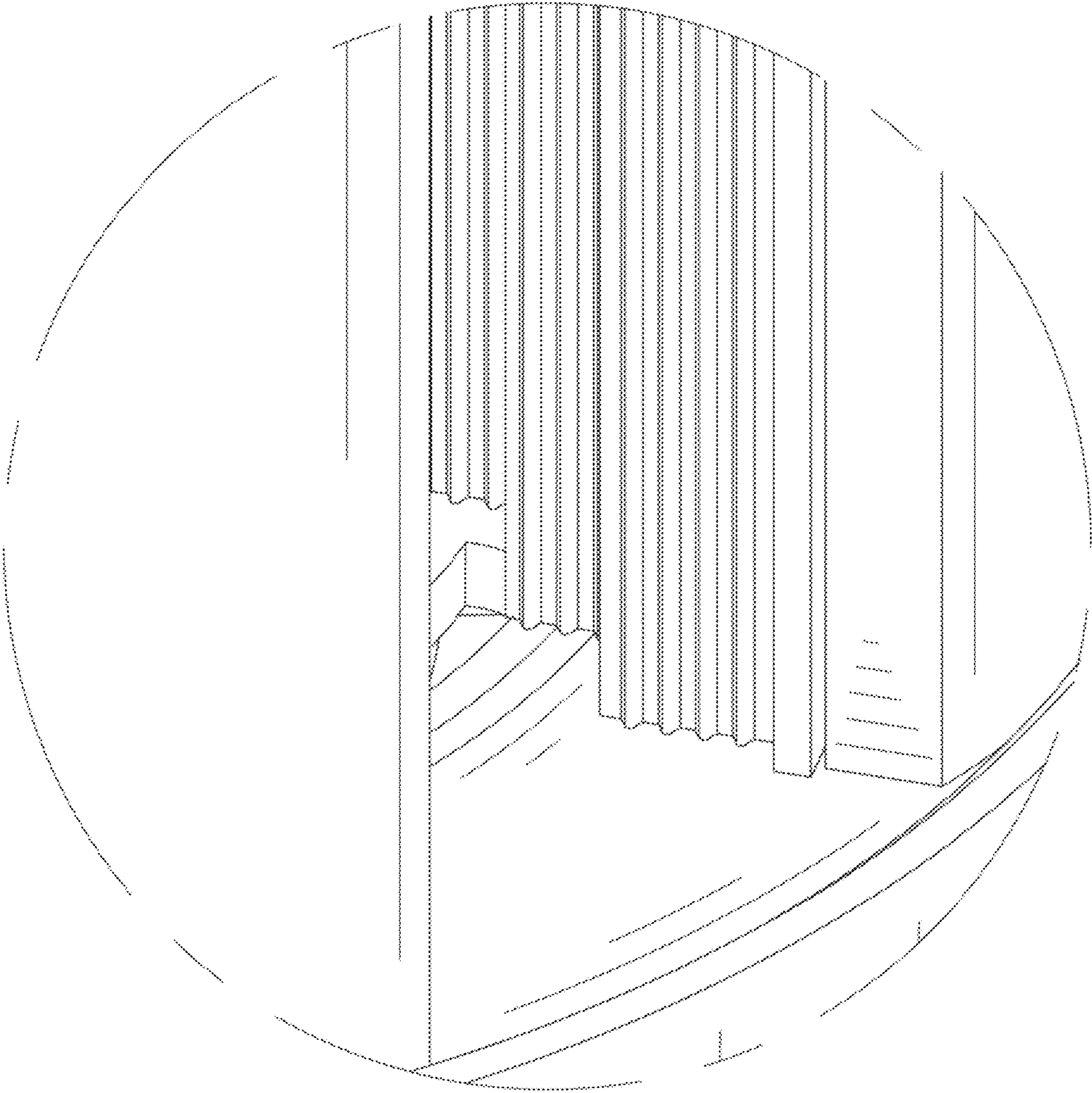


FIG. 9

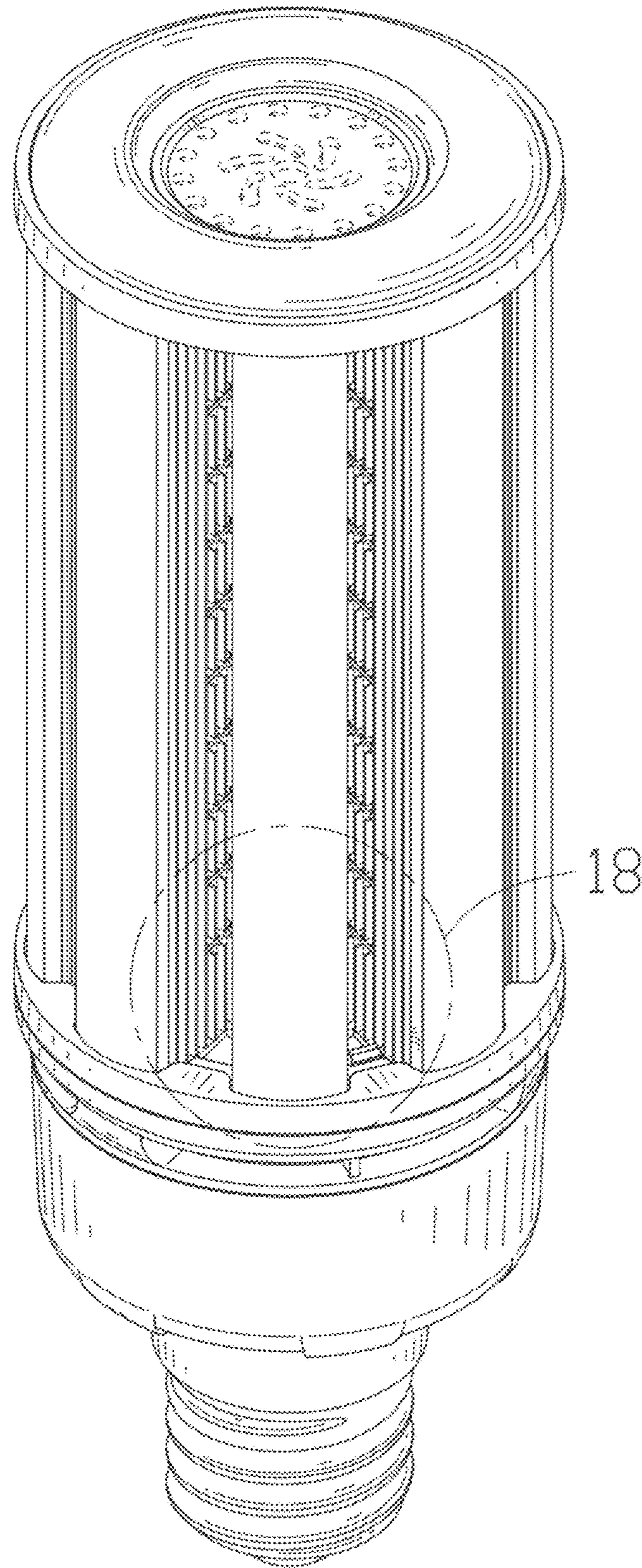


FIG. 10

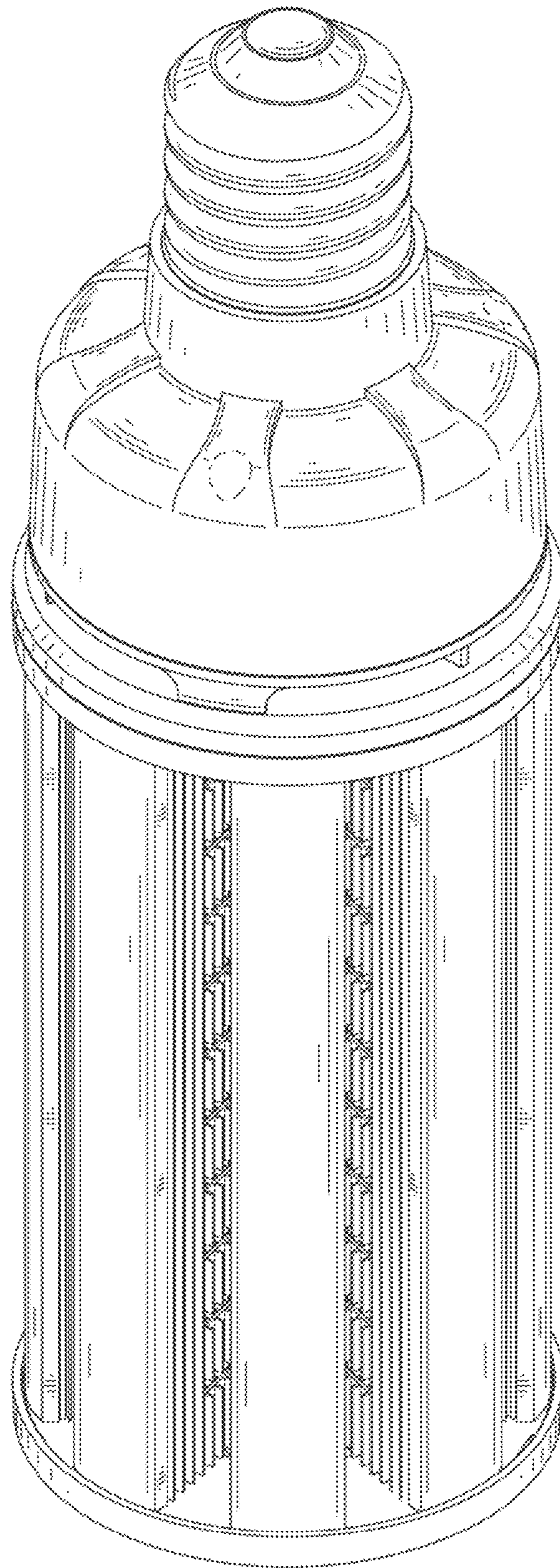


FIG. 11

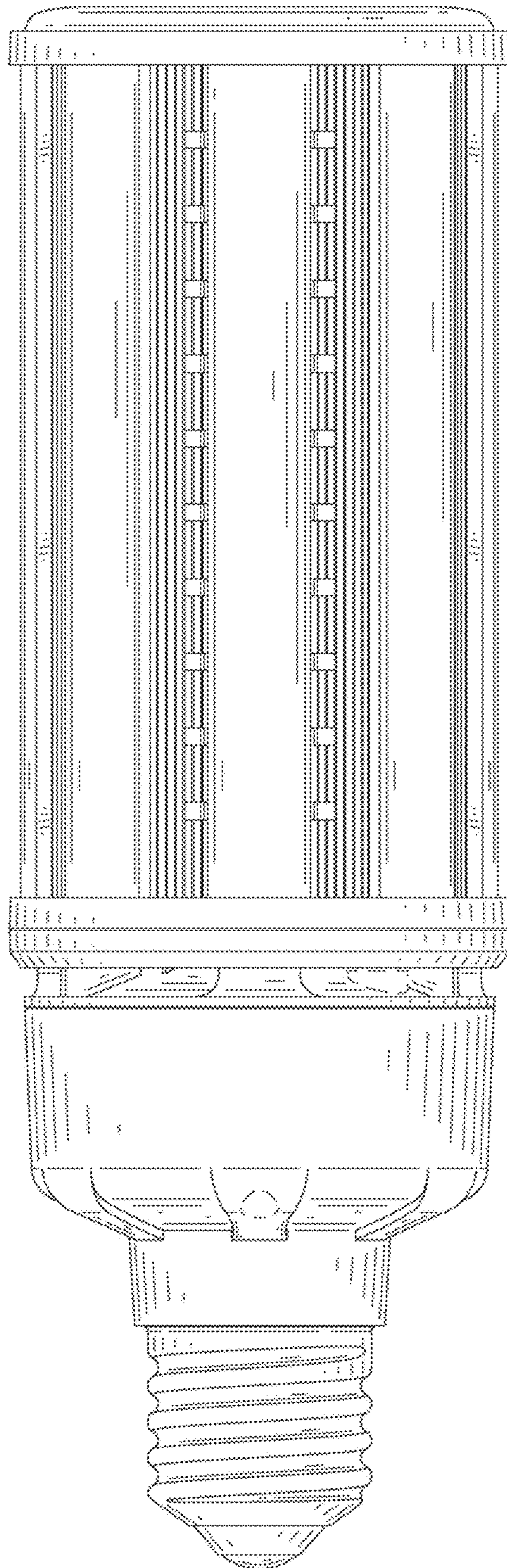


FIG. 12

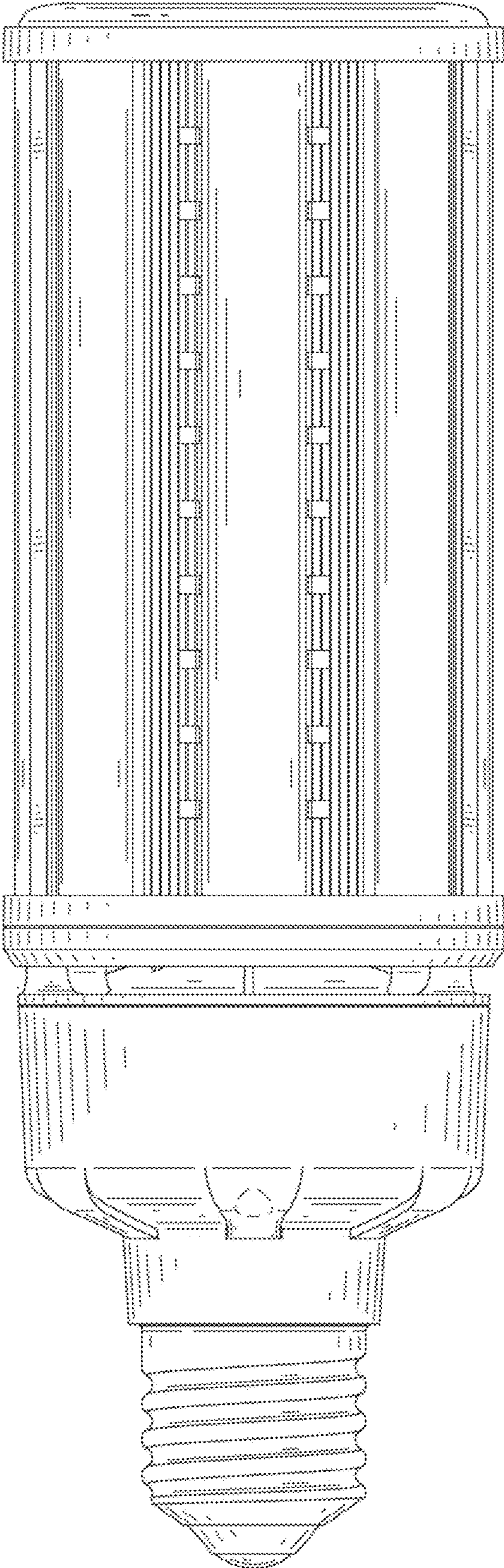


FIG. 13

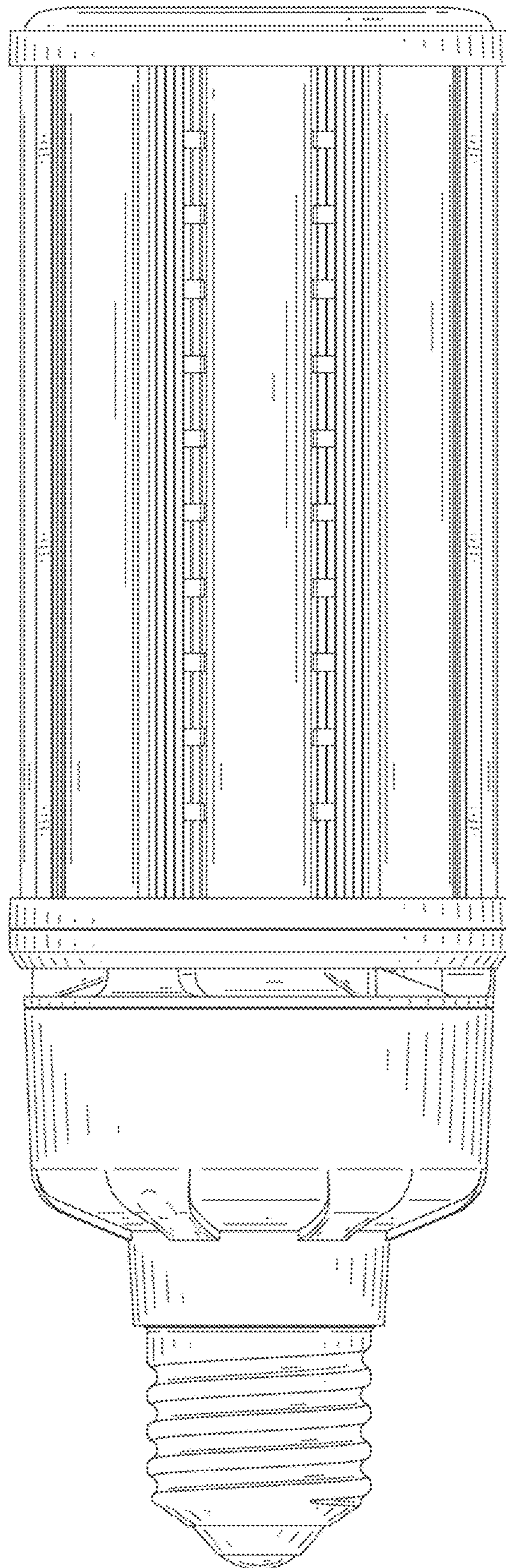


FIG. 14



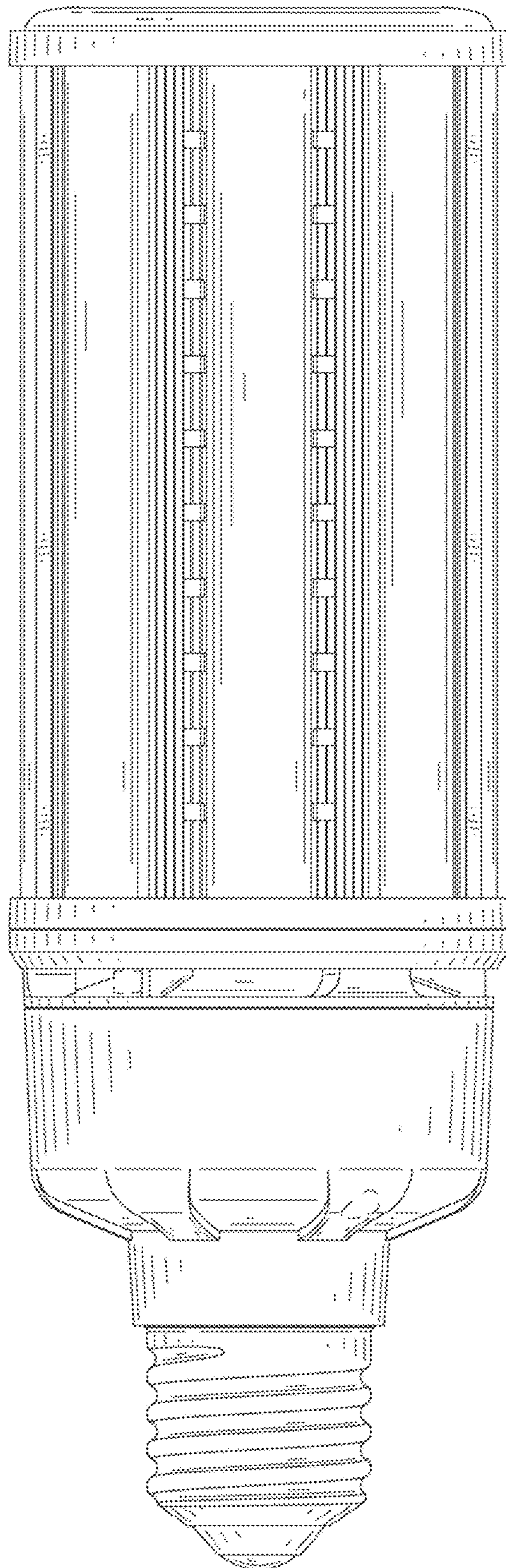


FIG. 15

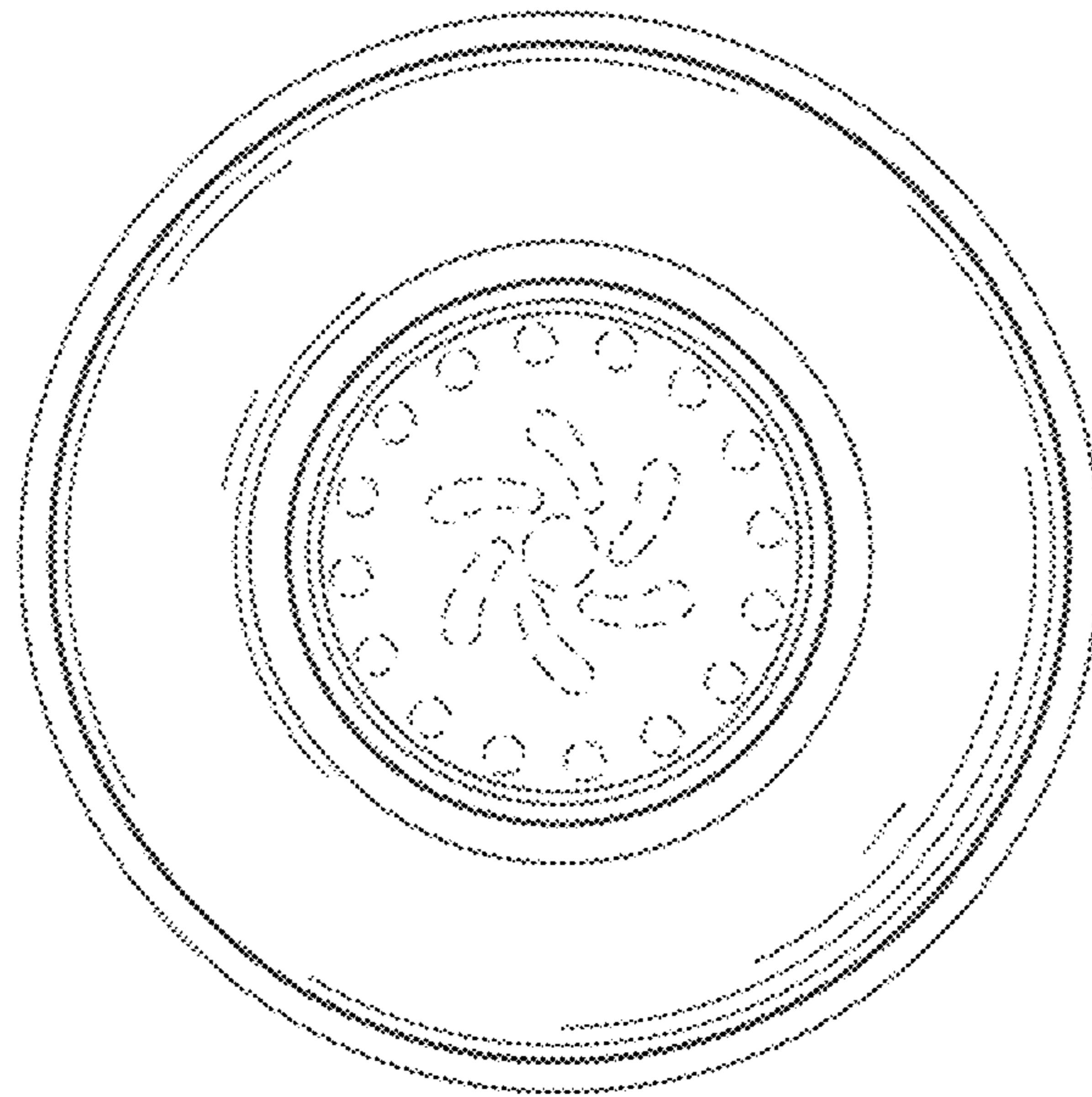


FIG. 16

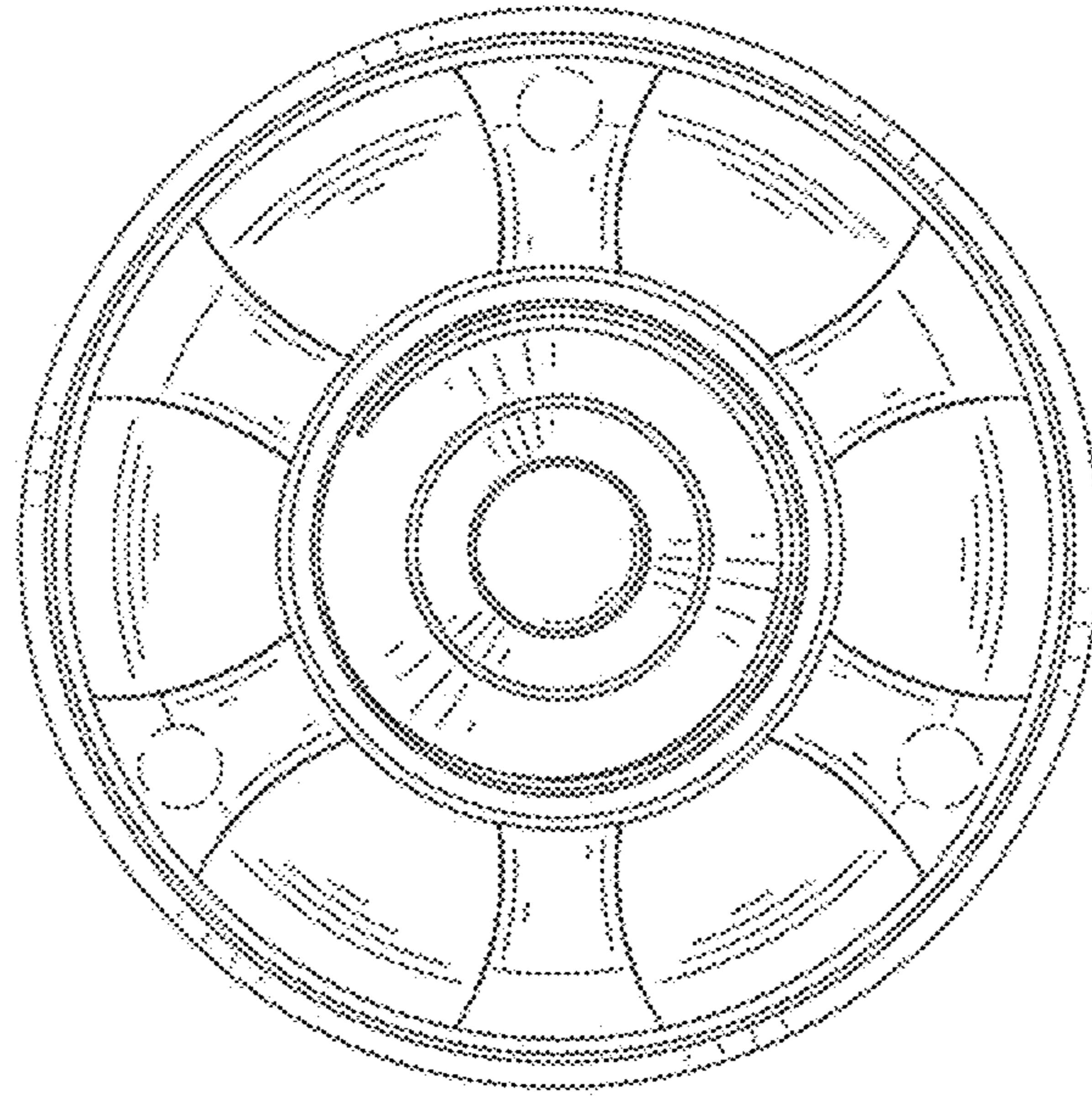


FIG. 17

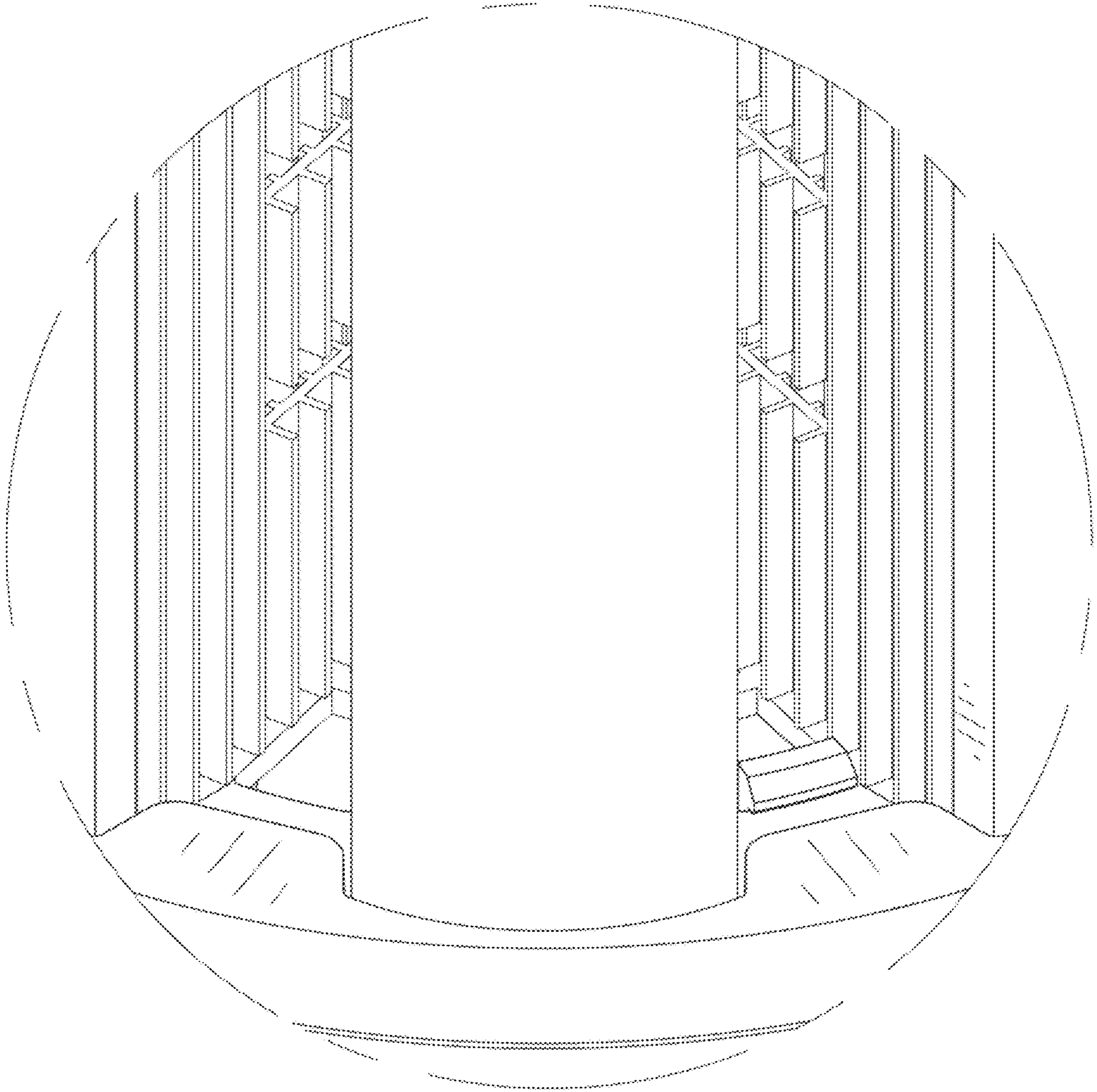


FIG. 18

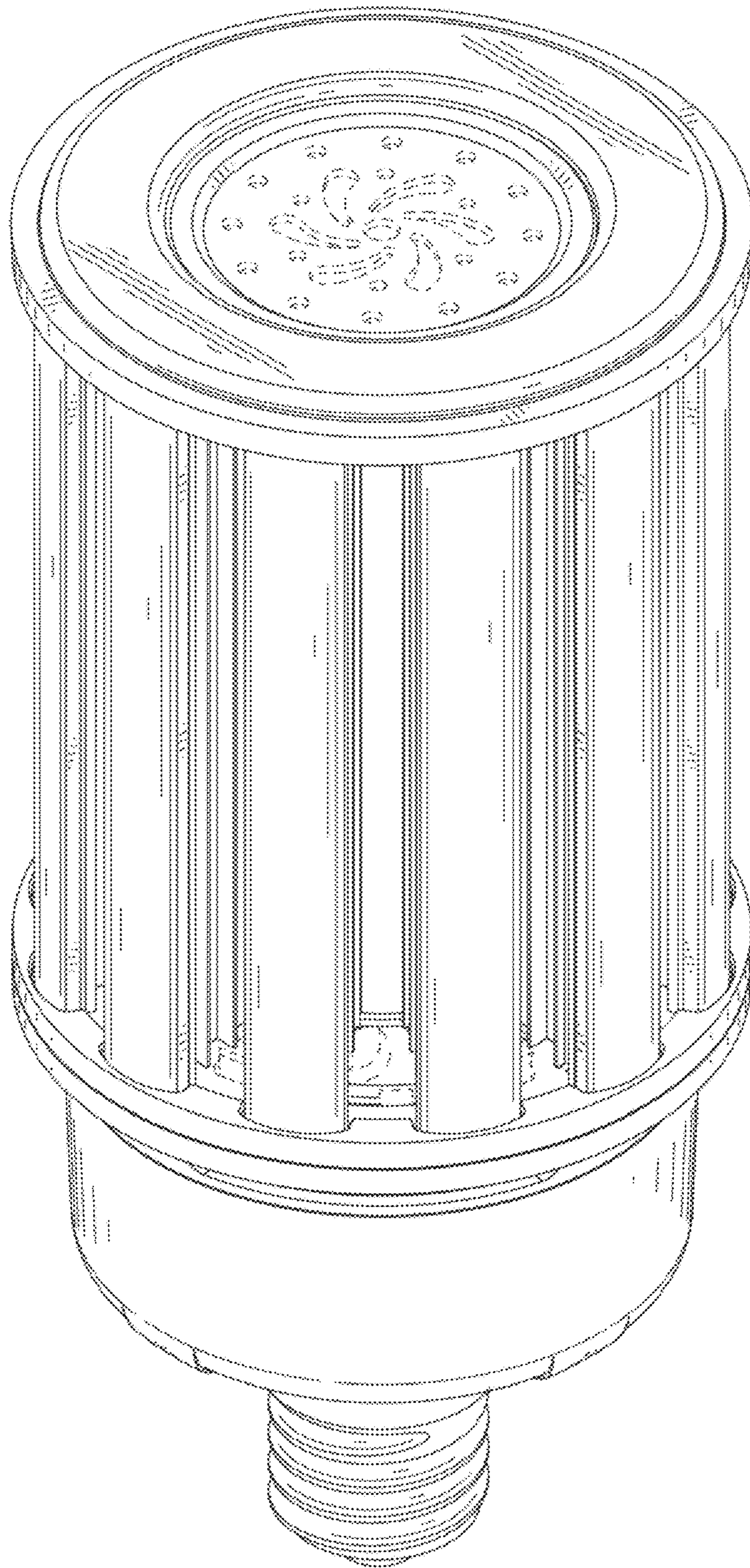


FIG. 19

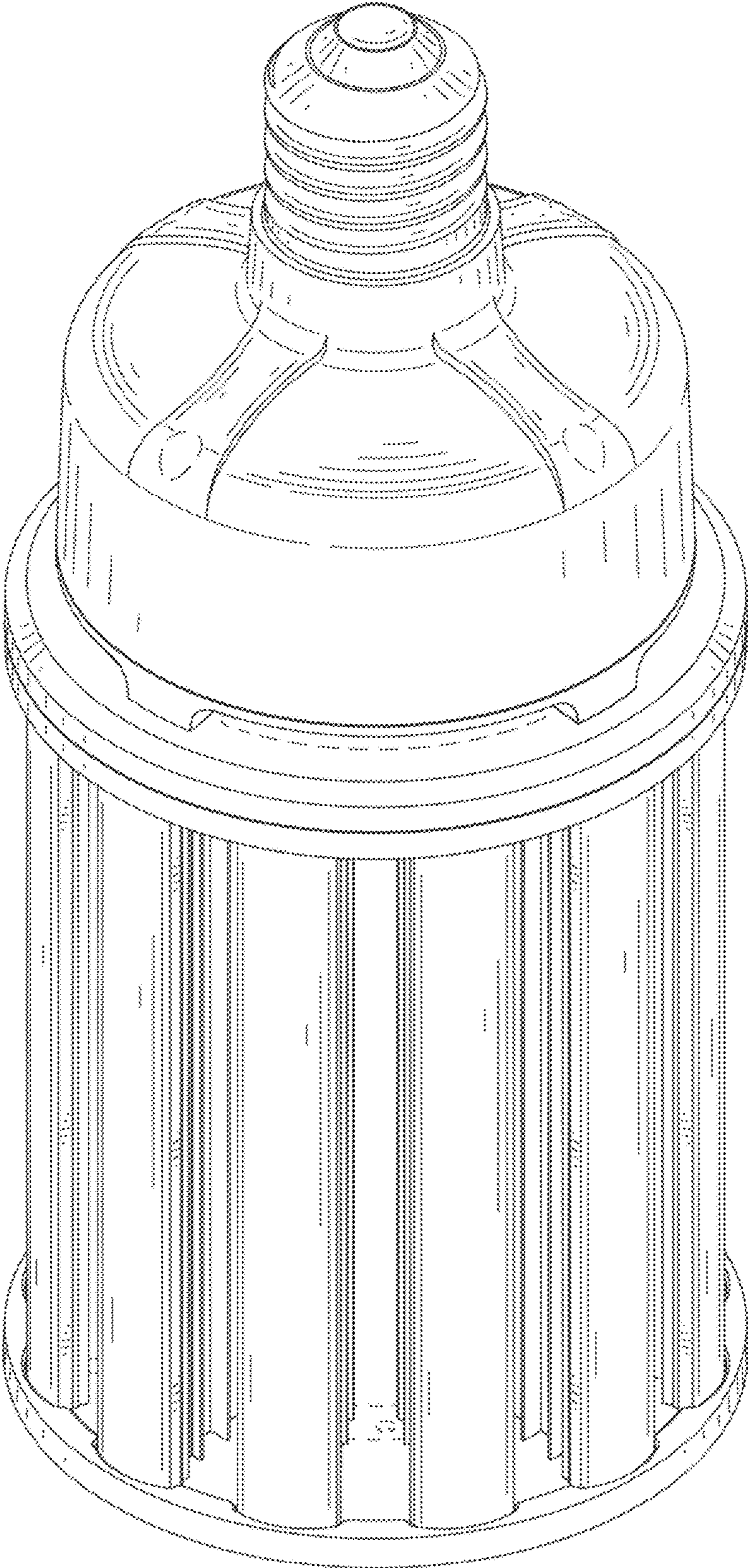


FIG. 20

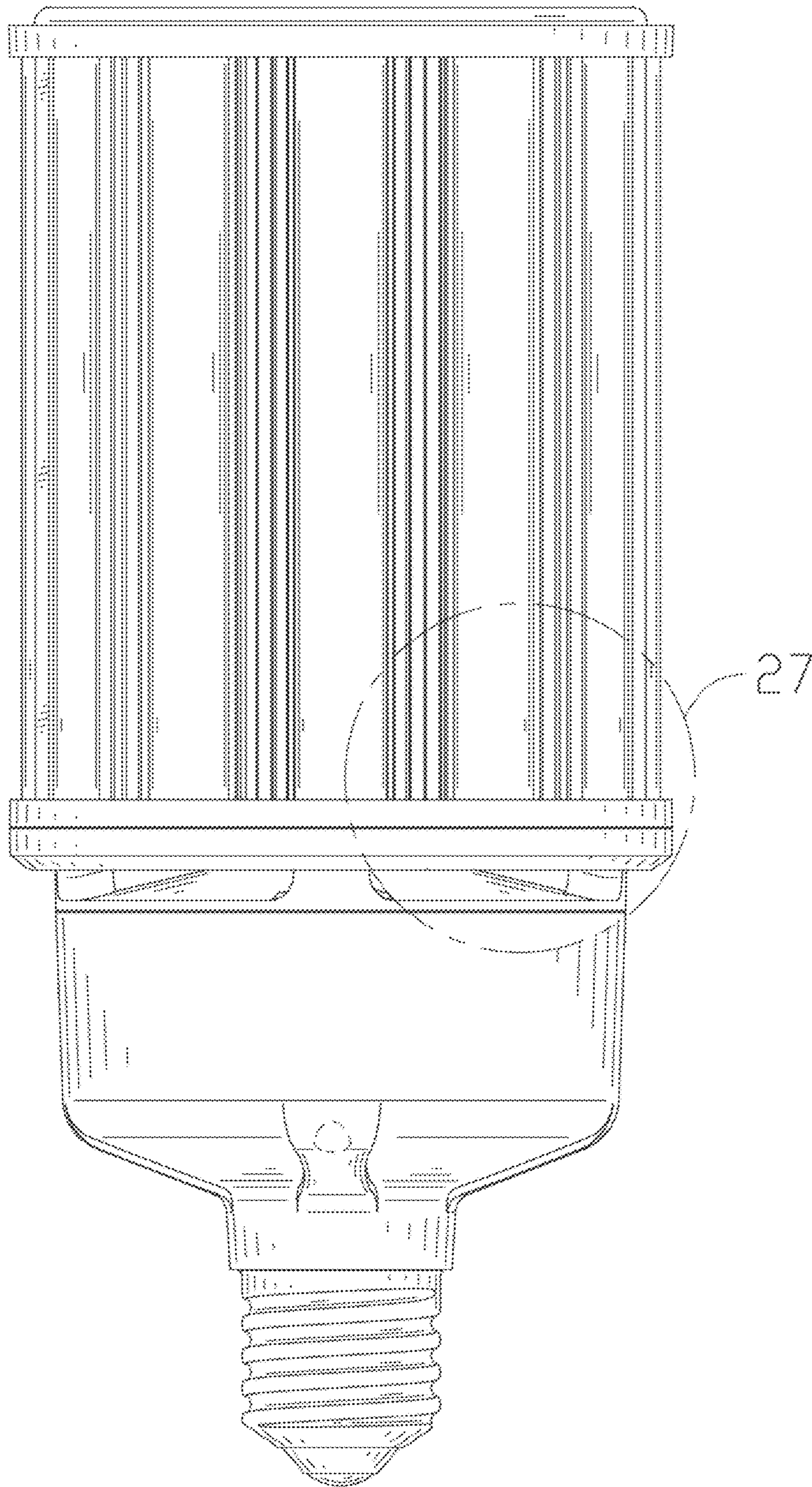


FIG. 21

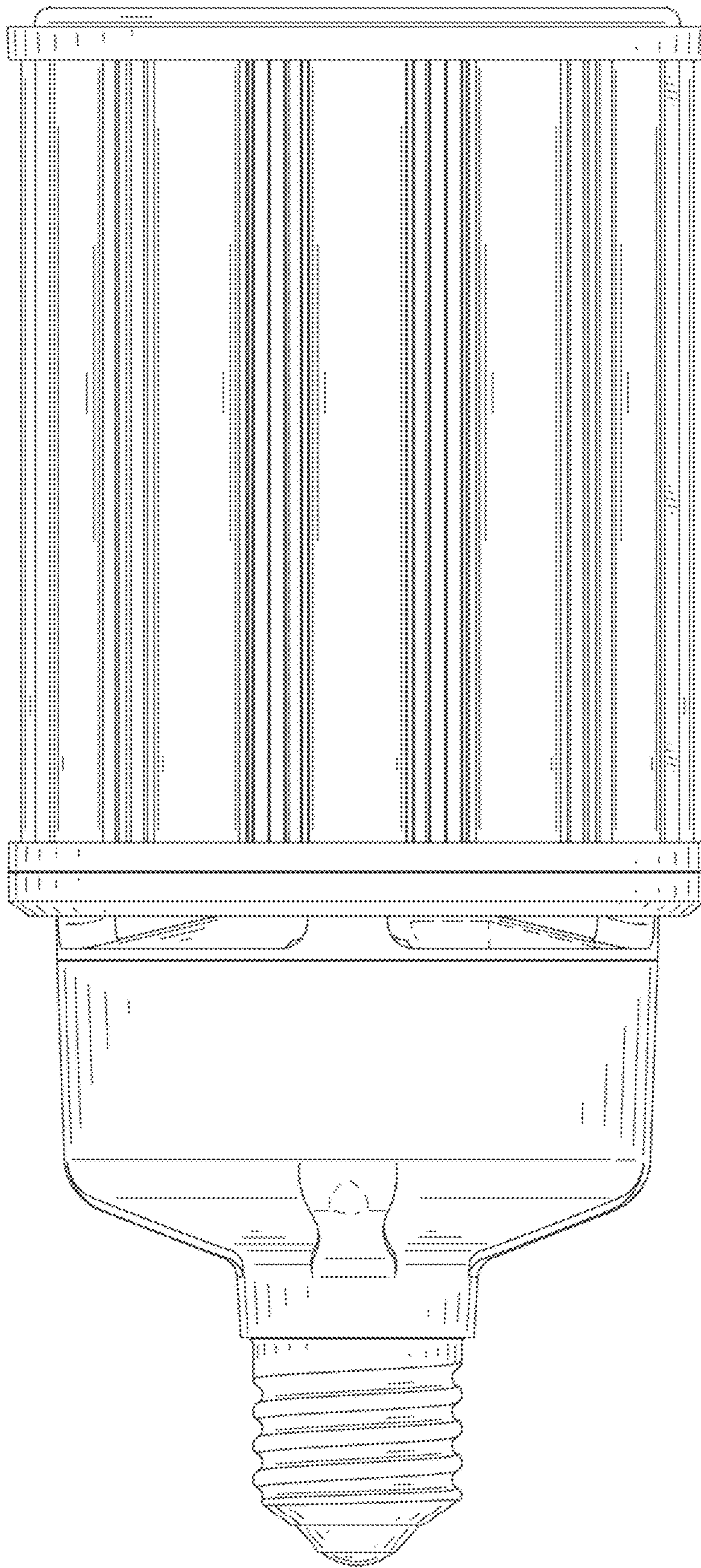


FIG. 22



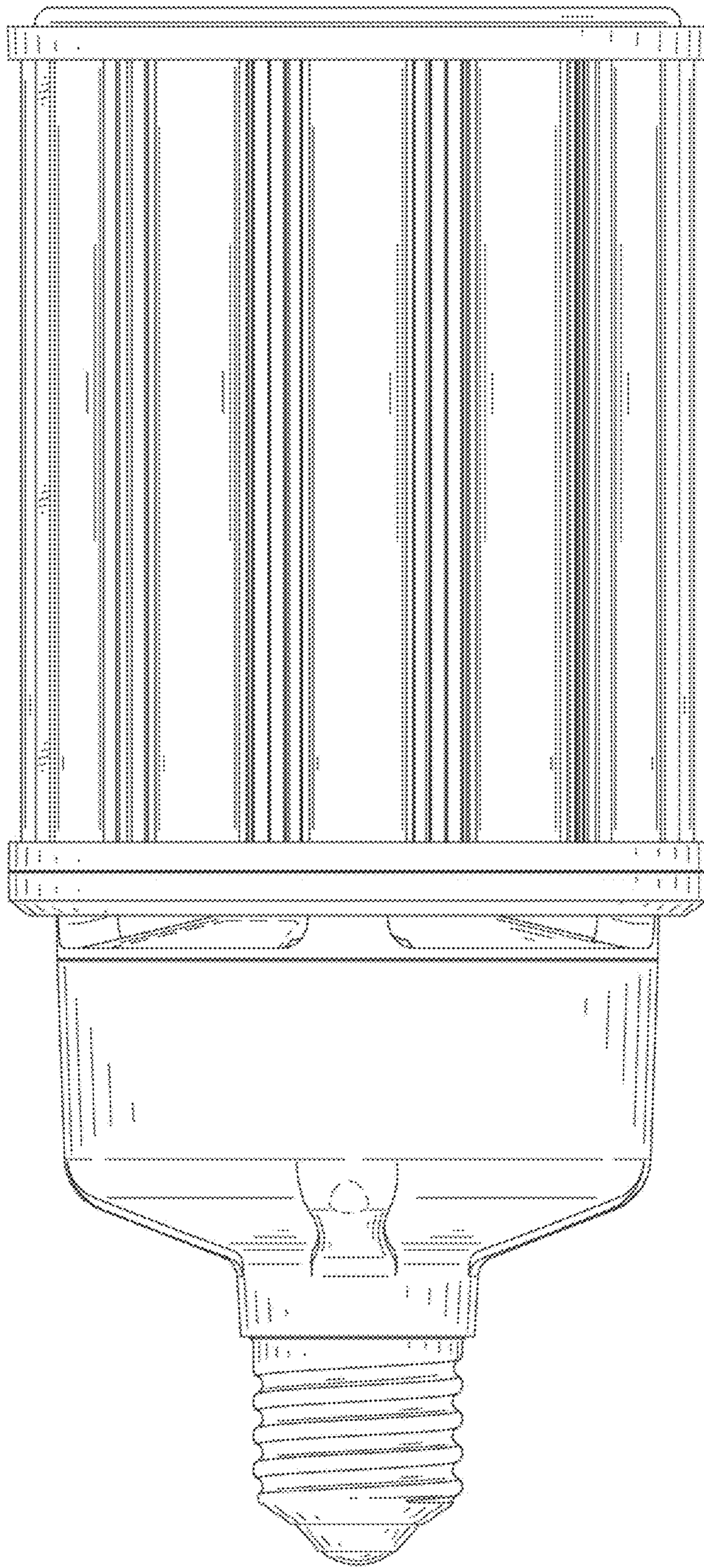


FIG. 23

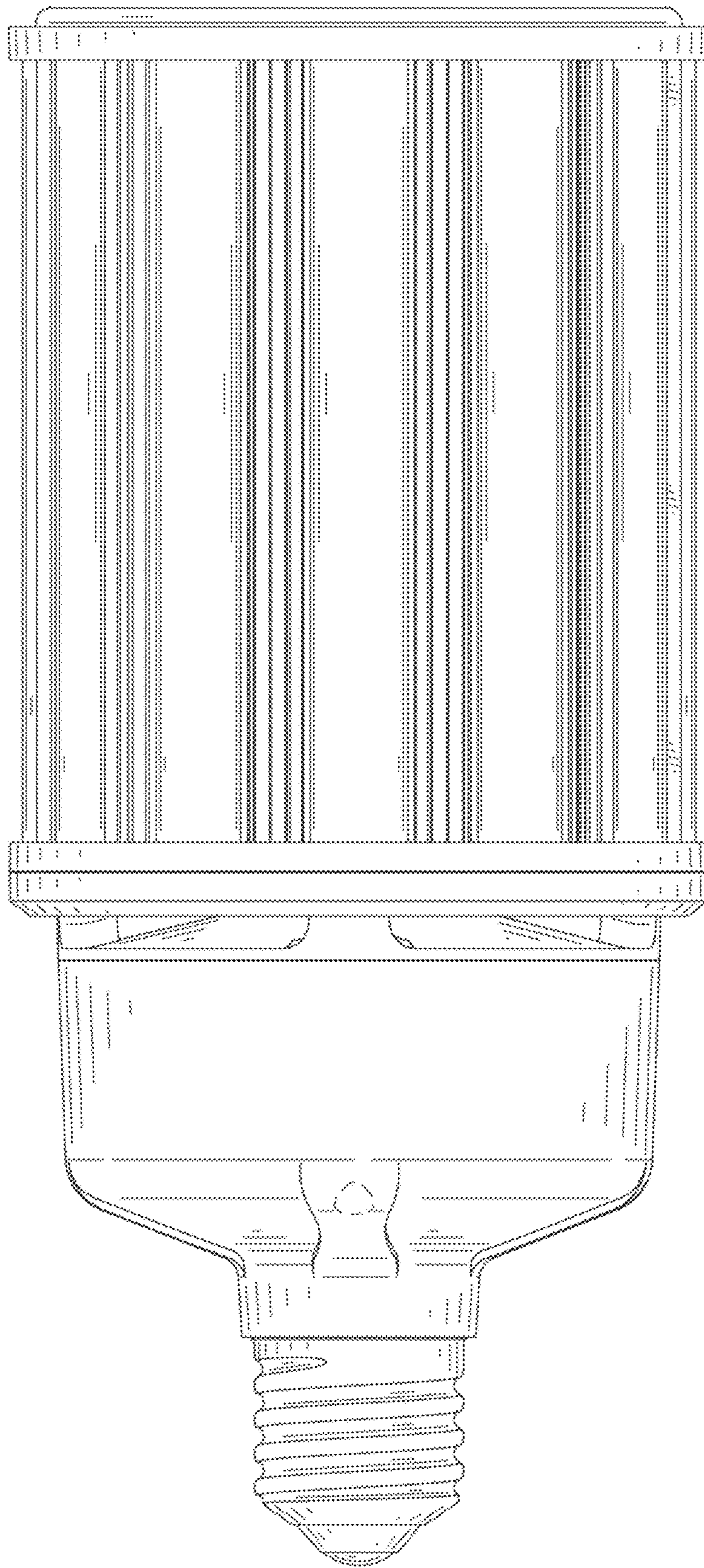


FIG. 24

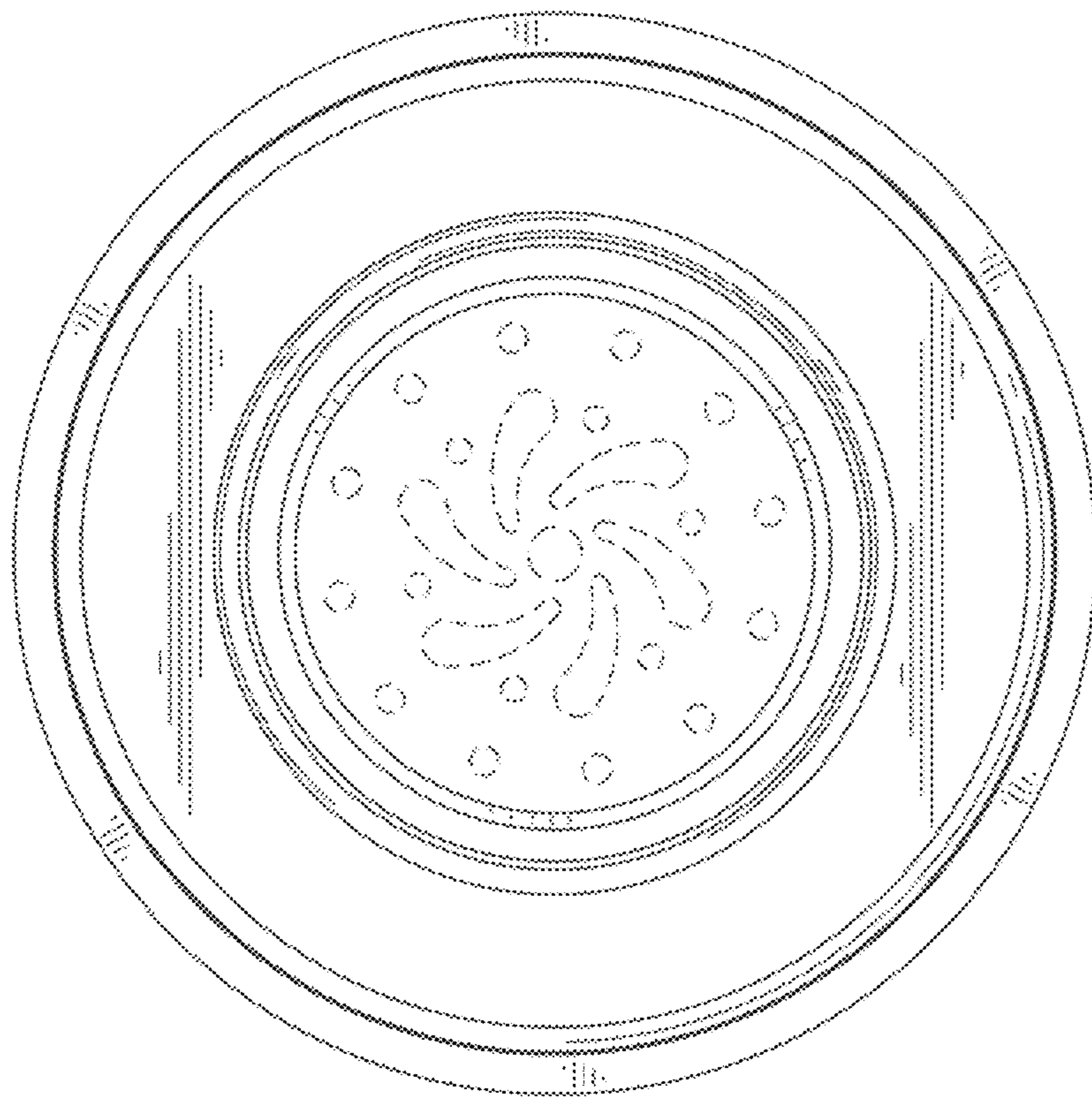


FIG. 25

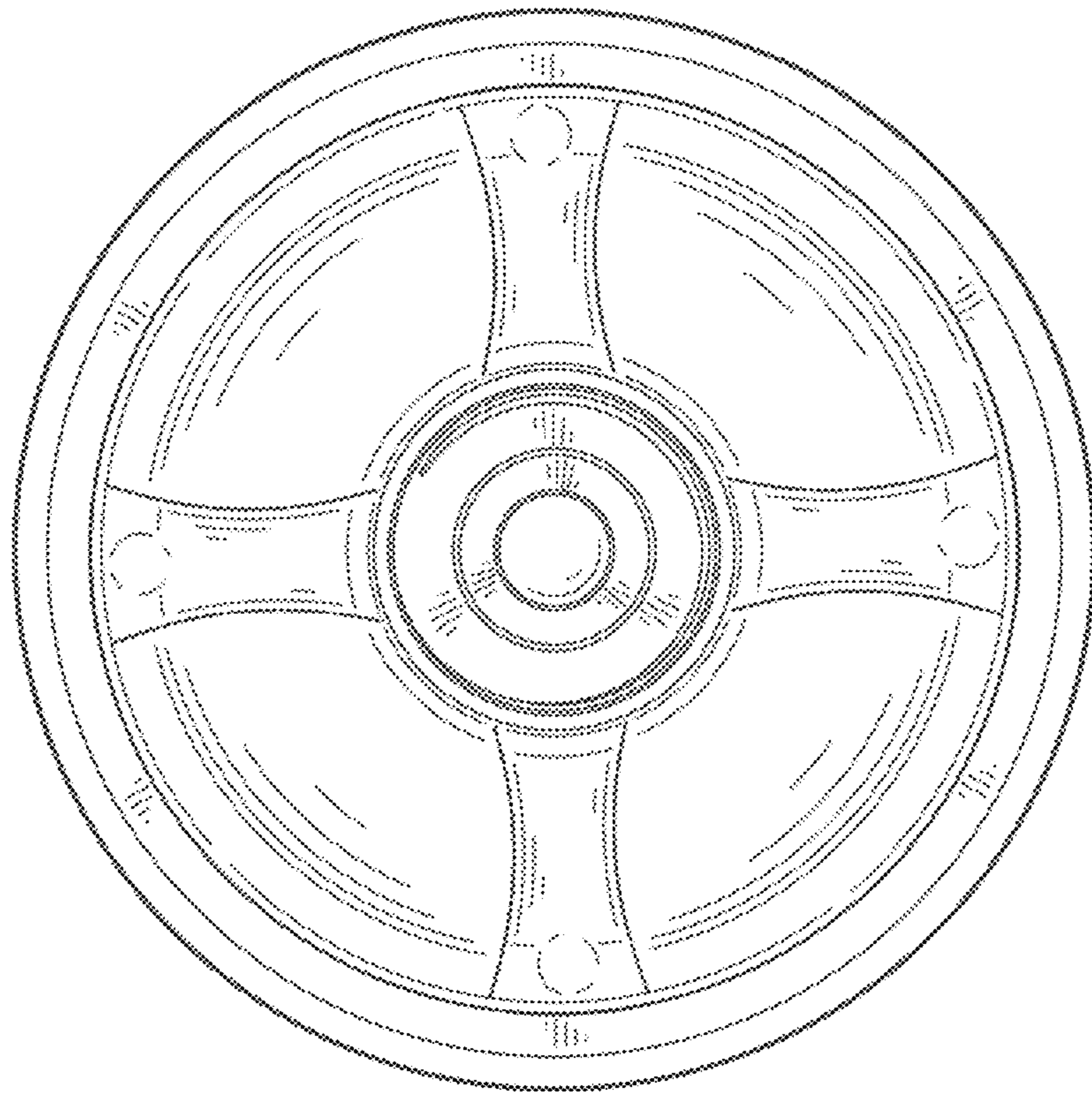


FIG. 26

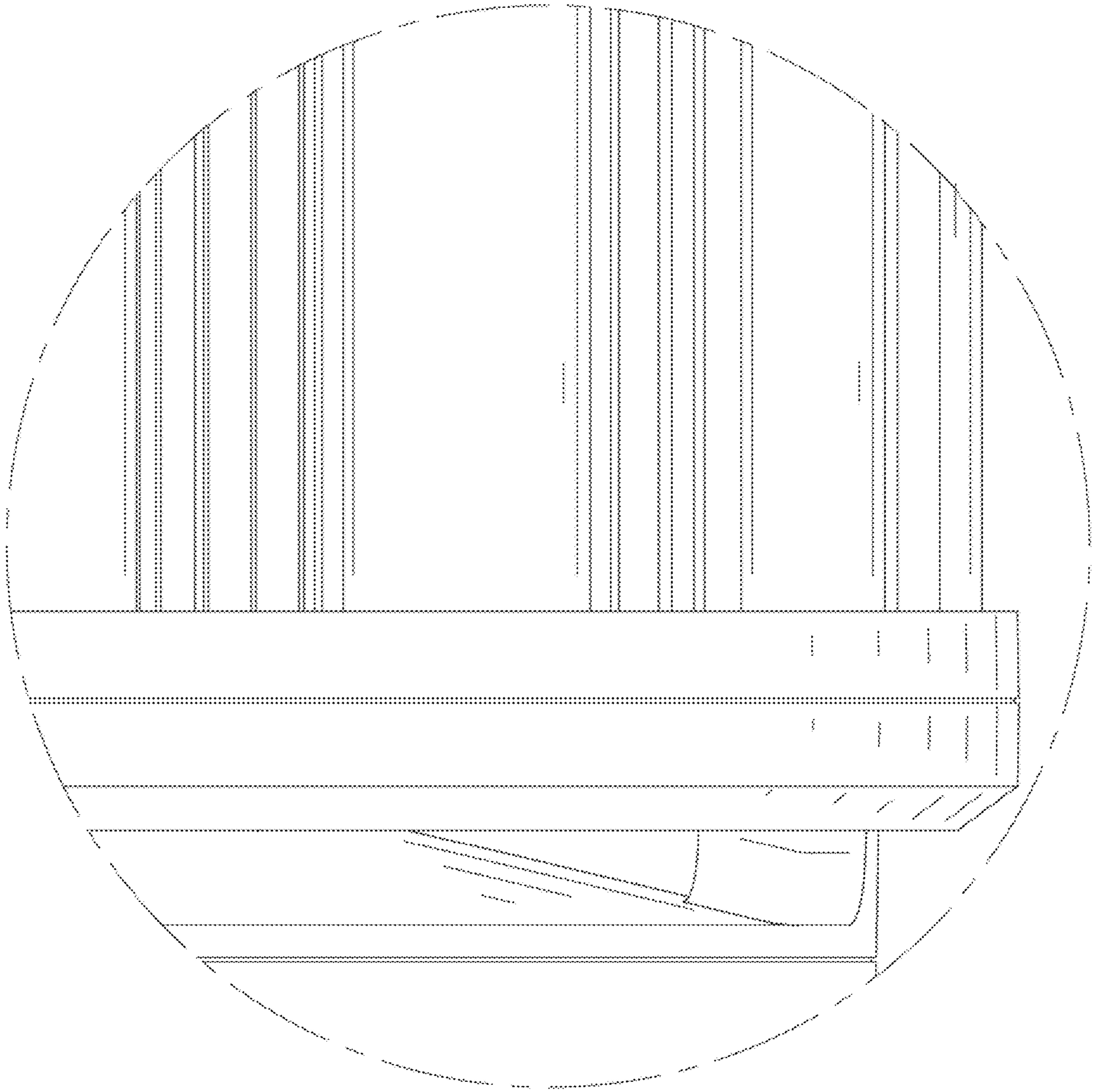


FIG. 27