



US00D872321S

(12) **United States Design Patent**
Pan et al.

(10) **Patent No.:** **US D872,321 S**

(45) **Date of Patent:** **** Jan. 7, 2020**

(54) **LED LIGHT**

(71) Applicants: **Haining Xincheng Electronics Co., LTD.**, Haining (CN); **Pingli Wang**, Haining (CN)

(72) Inventors: **Jianxin Pan**, Haining (CN); **Lian Wu**, Haining (CN); **Hongbo Li**, Haining (CN)

(**) Term: **15 Years**

(21) Appl. No.: **29/665,781**

(22) Filed: **Oct. 6, 2018**

(51) **LOC (12) Cl.** **26-04**

(52) **U.S. Cl.**
USPC **D26/2**

(58) **Field of Classification Search**
USPC D26/1-4
CPC H01R 5/00; H01R 13/46; H01R 13/514;
H01R 31/048; H01R 31/02; H01J 5/00;
H01J 5/16; H01J 1/02; H01J 15/00; H01J
5/48; H01J 5/50; H01J 19/54; F21V 5/00;
F21K 9/00; F21K 29/004
See application file for complete search history.

(56) **References Cited**

U.S. PATENT DOCUMENTS

D543,288 S * 5/2007 Bembridge D26/2
D544,109 S * 6/2007 Tsuruha D26/2

D558,904 S * 1/2008 Tsuruha D26/2
D579,130 S * 10/2008 Hernandez, Jr. D26/2
D600,368 S * 9/2009 Bertram D26/2
D610,272 S * 2/2010 Guo D26/2

* cited by examiner

Primary Examiner — Marcus A Jackson

(74) *Attorney, Agent, or Firm* — Gokalp Bayramoglu

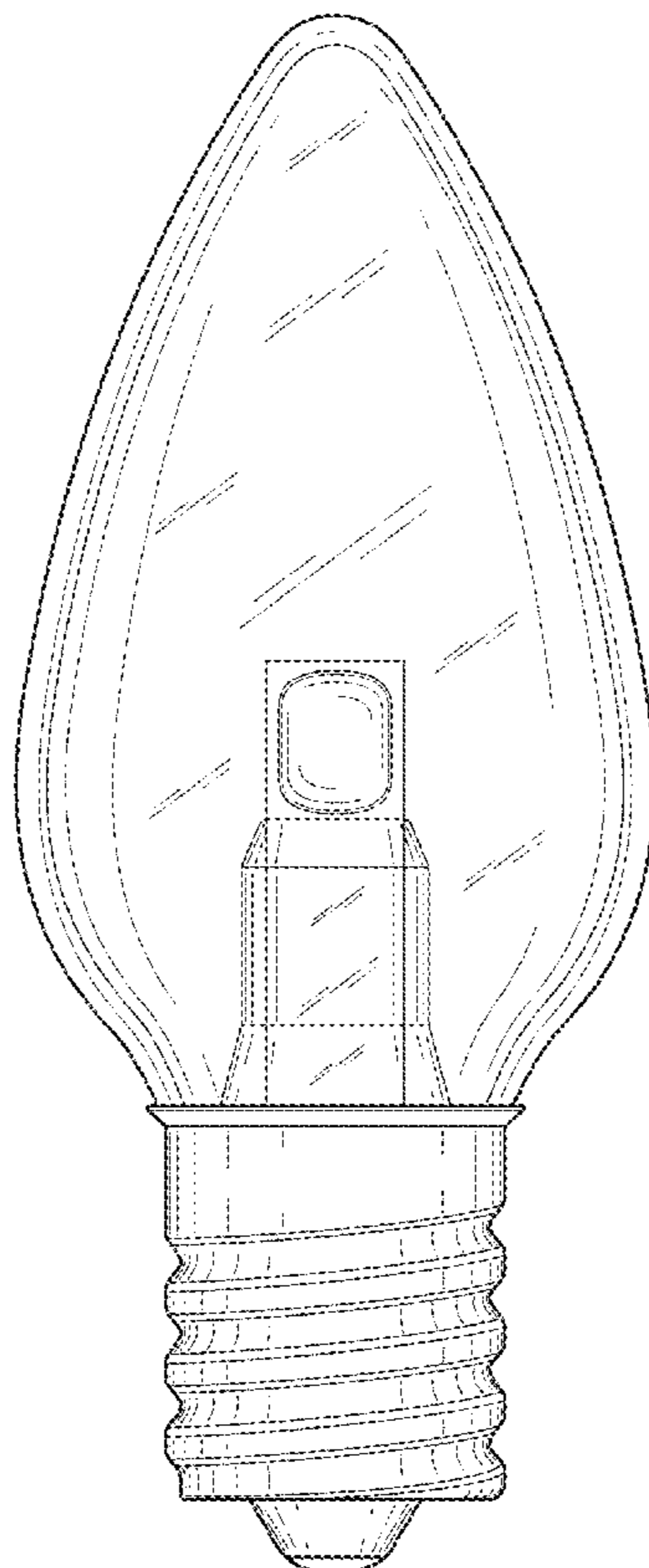
(57) **CLAIM**

The ornamental design for an LED light, as shown and described.

DESCRIPTION

FIG. 1 is a perspective view of an LED light showing my new design;
FIG. 2 is a front elevation view thereof;
FIG. 3 is a rear elevation view thereof;
FIG. 4 is a right elevation view thereof;
FIG. 5 is a left elevation view thereof;
FIG. 6 is a top plan view thereof;
FIG. 7 is a bottom plan view thereof; and,
FIG. 8 is a partial perspective view thereof.

1 Claim, 8 Drawing Sheets



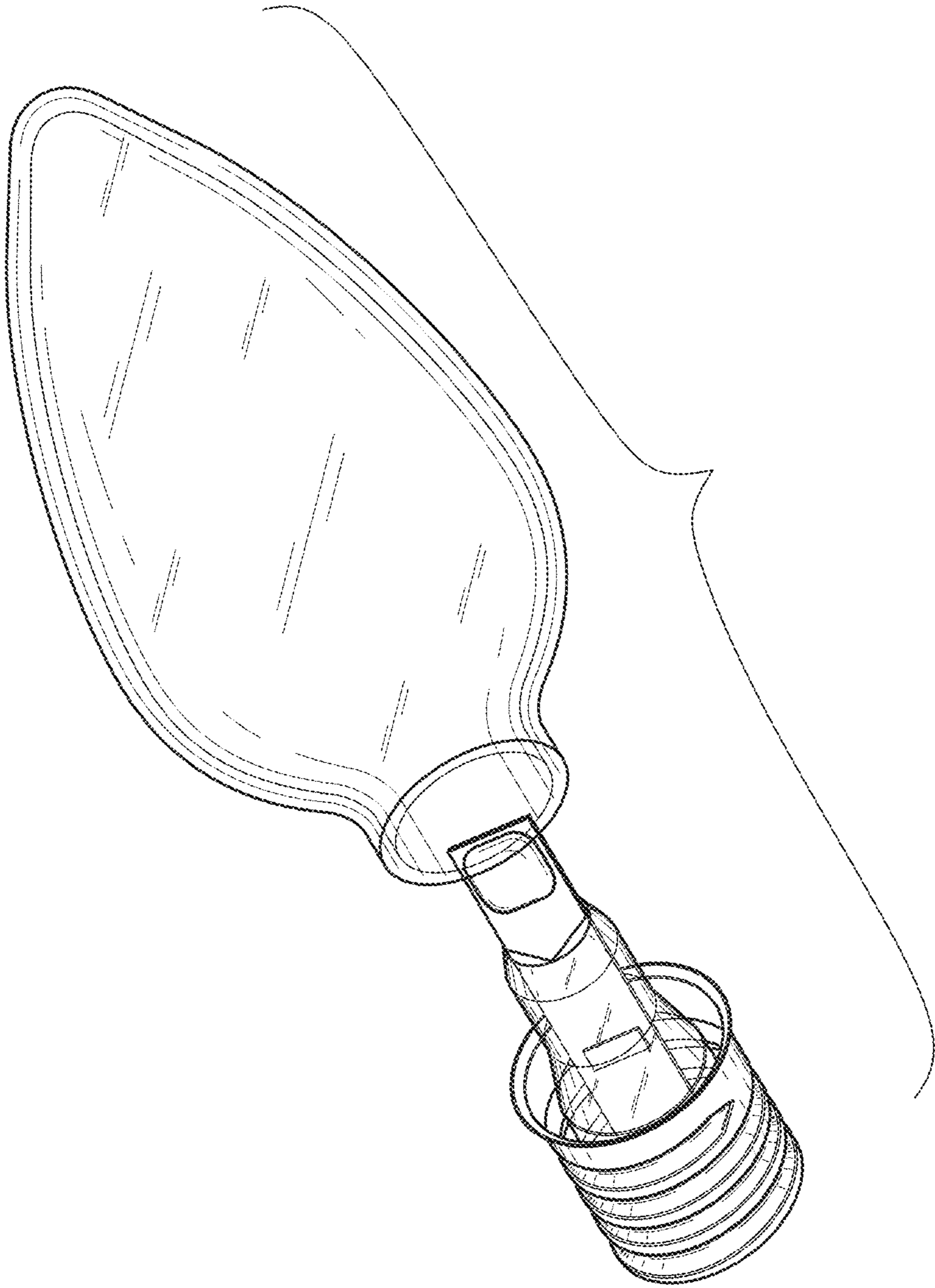


Fig. 1

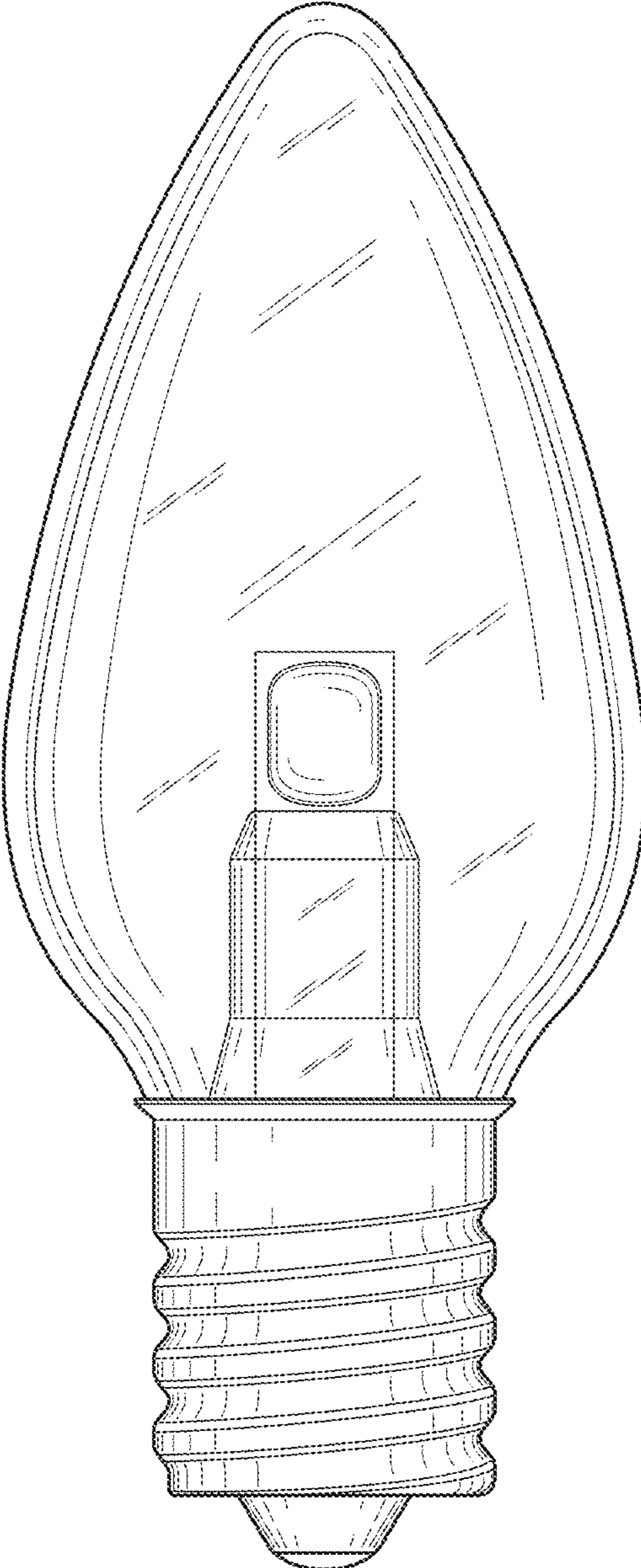


Fig. 2

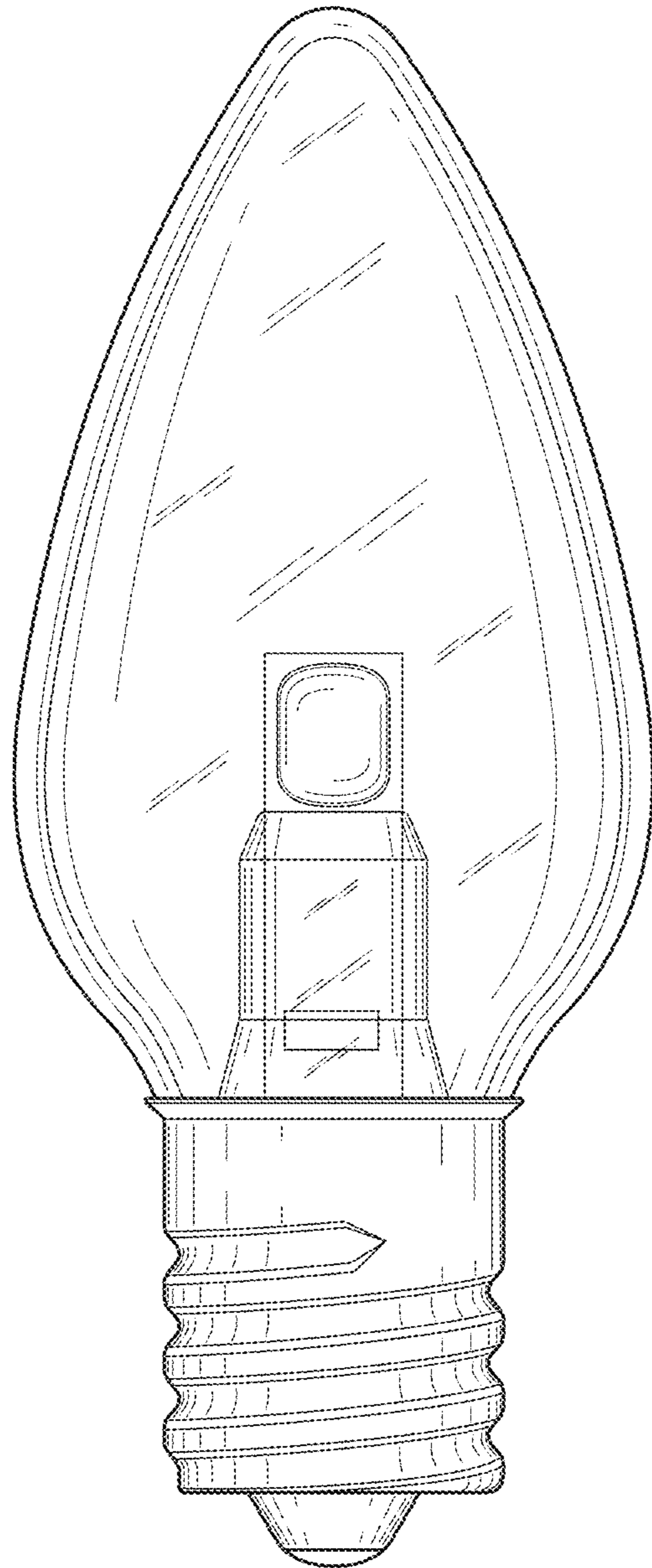


Fig. 3

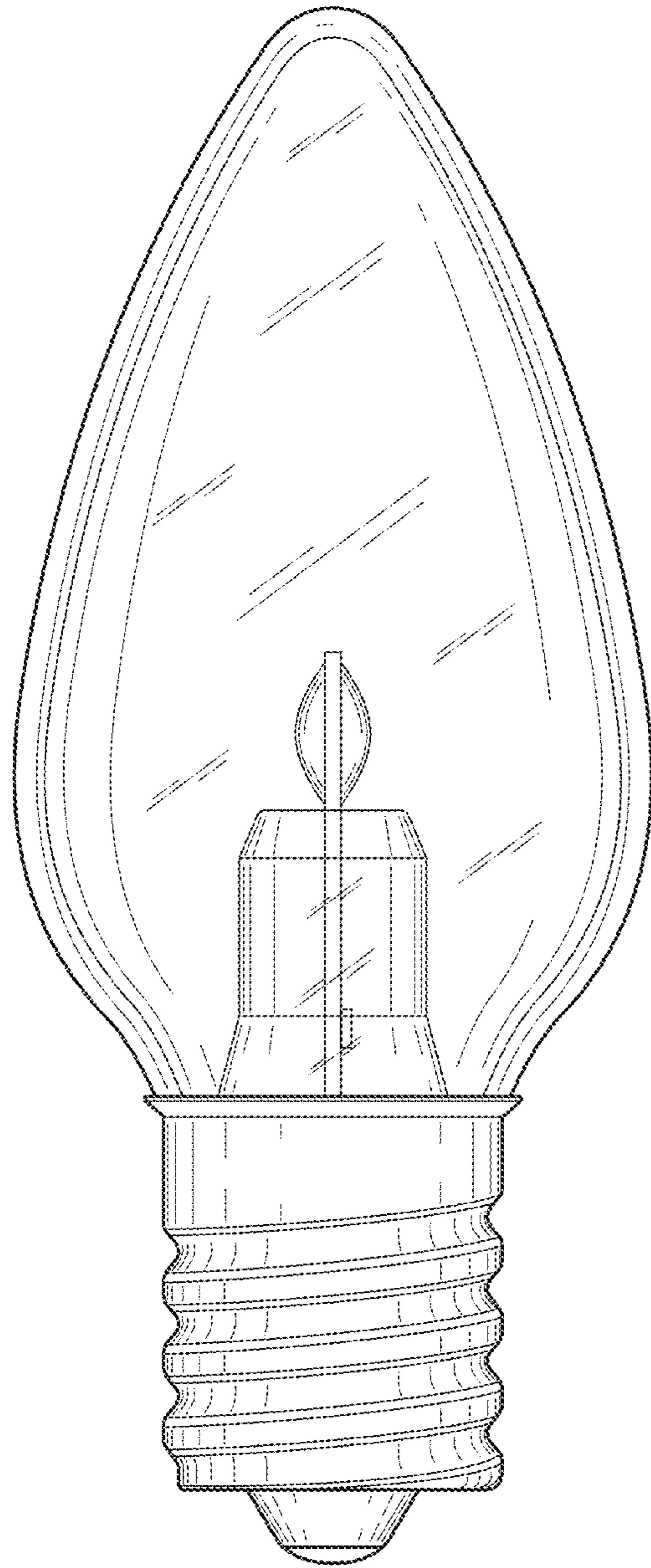


Fig. 4

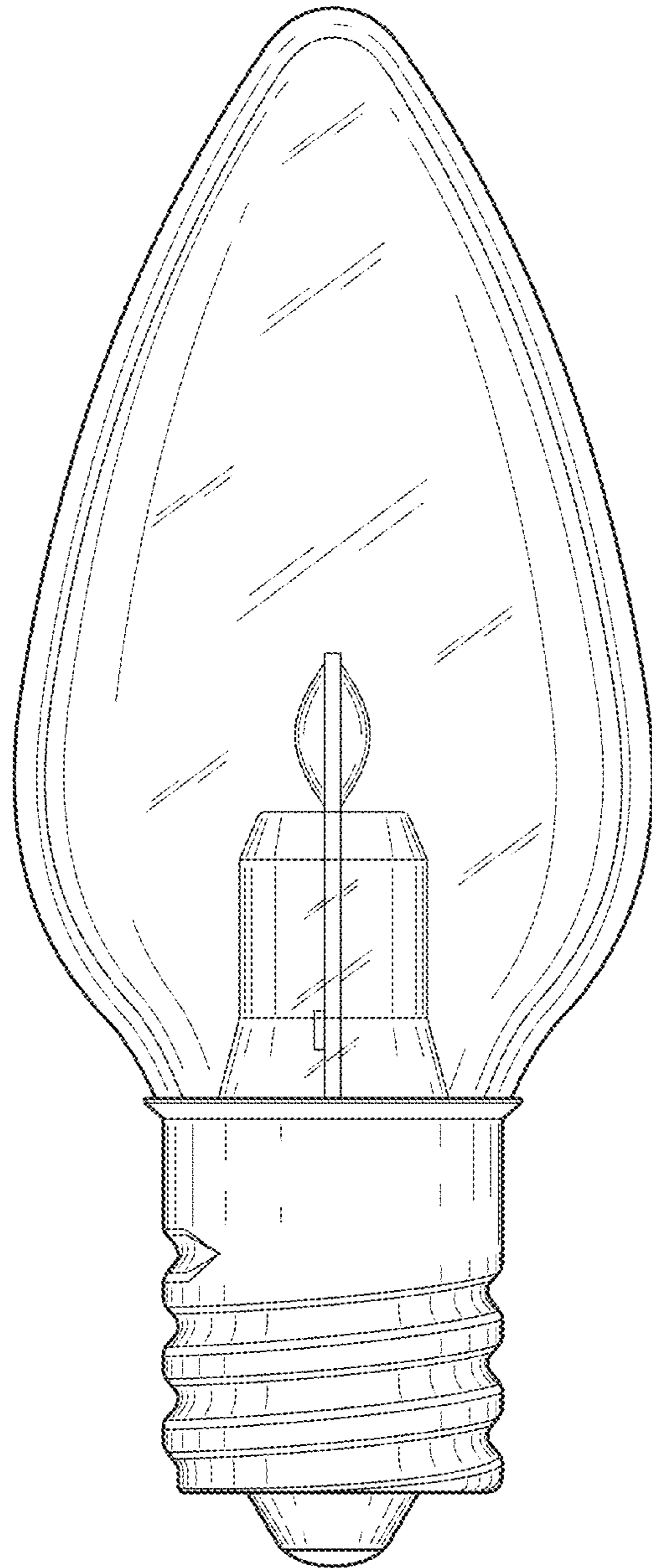


Fig. 5

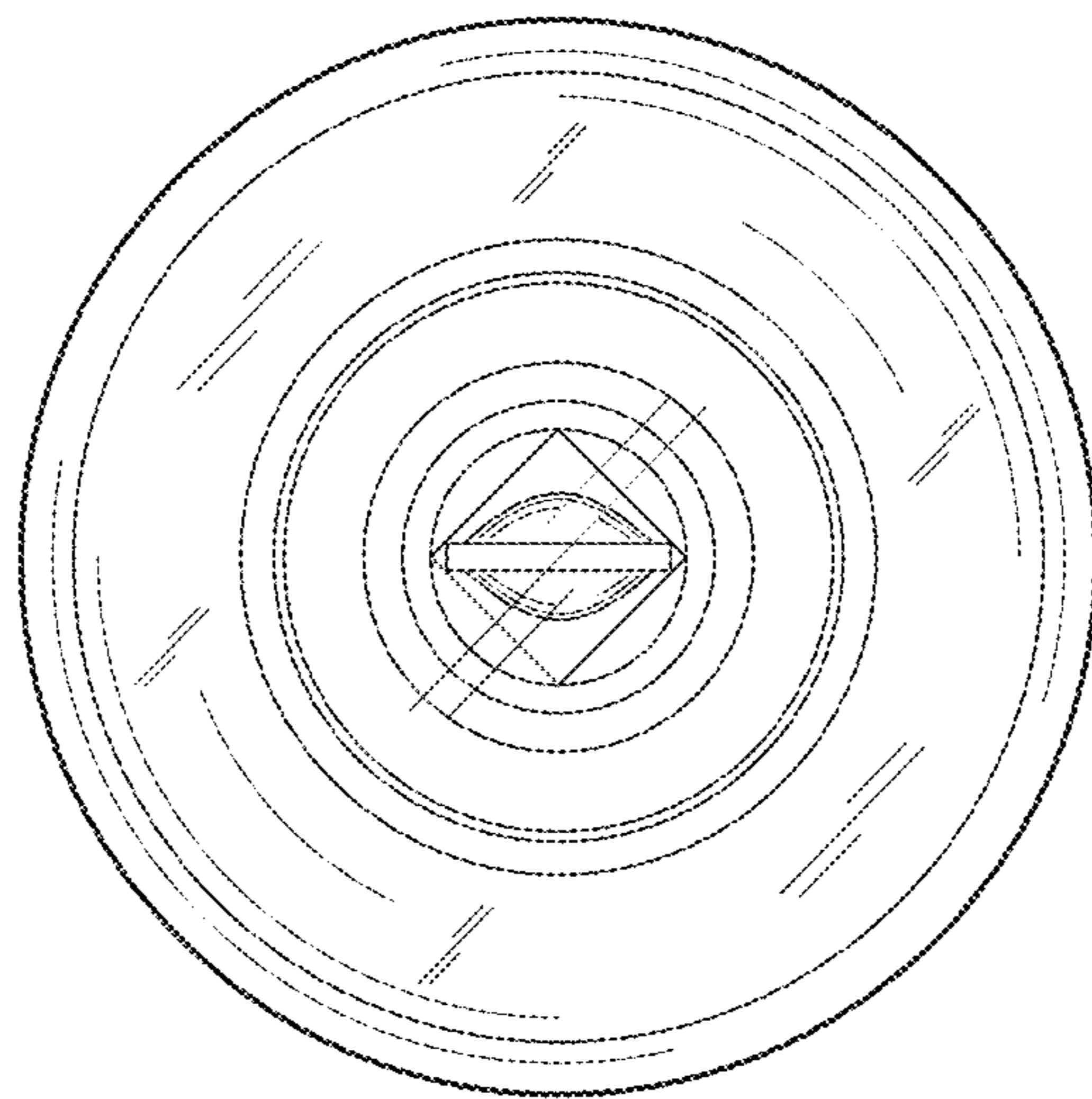


Fig. 6

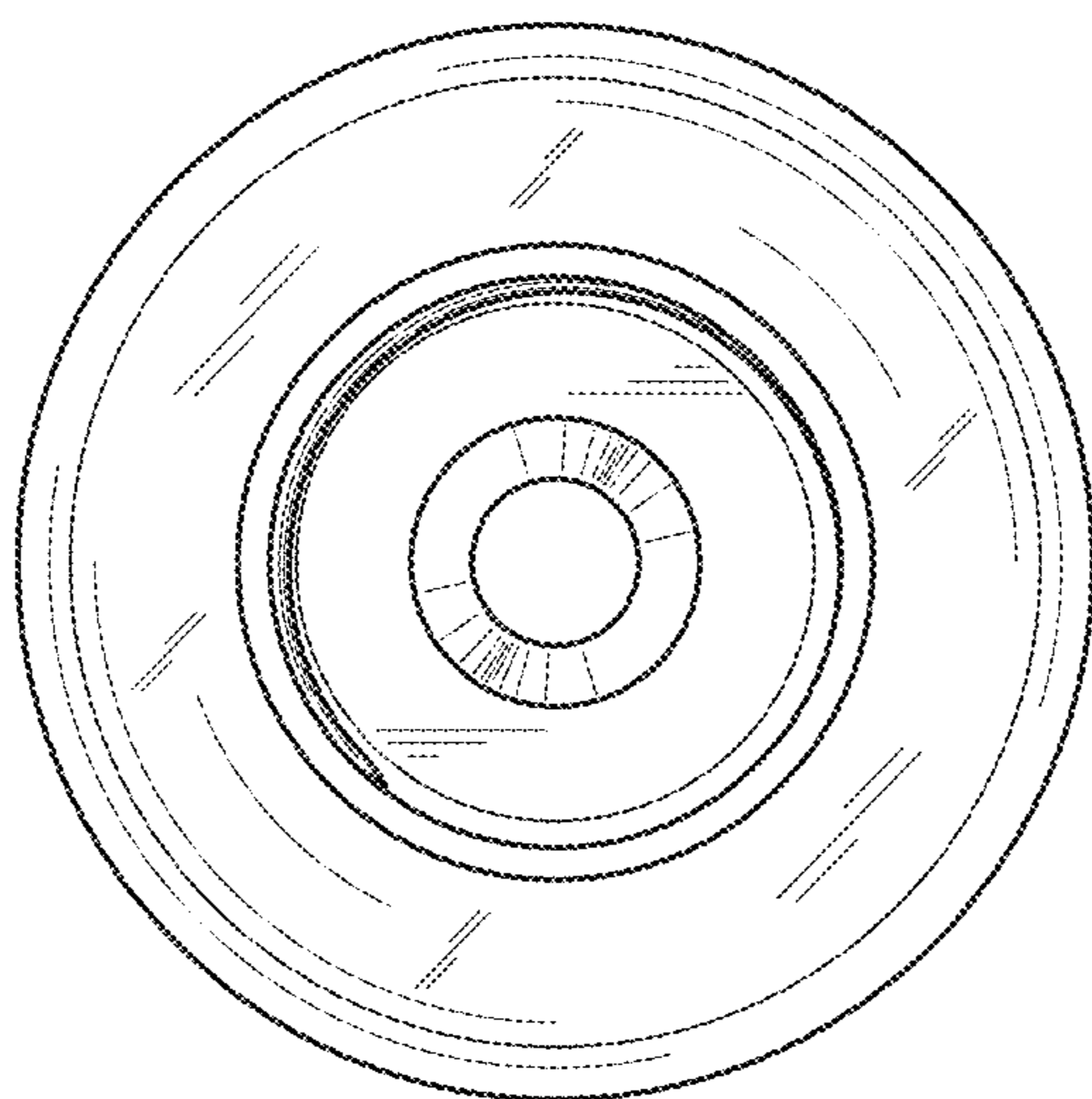


Fig. 7

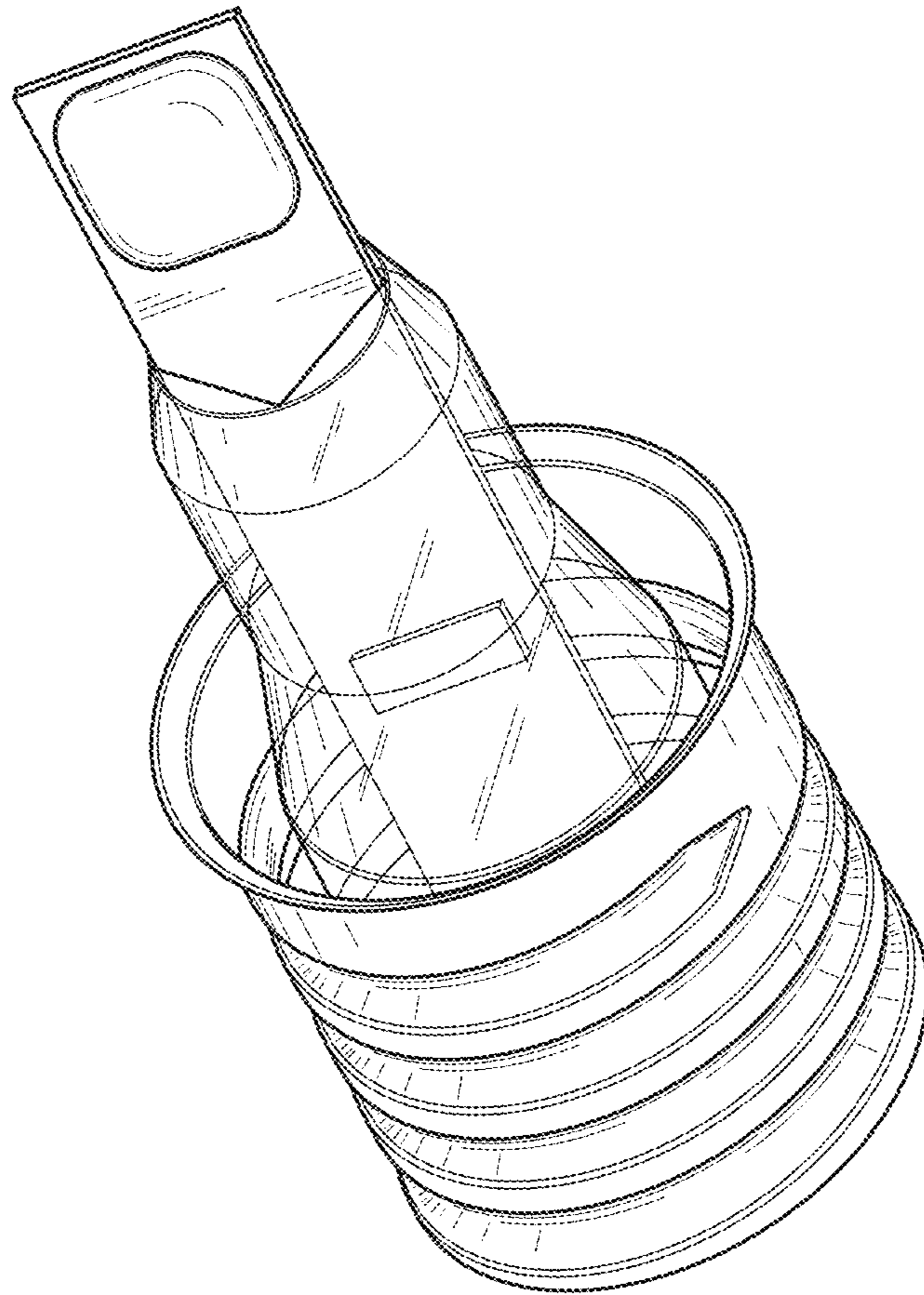


Fig. 8