



US00D872320S

(12) **United States Design Patent**
Pan et al.

(10) **Patent No.:** **US D872,320 S**
(45) **Date of Patent:** **** Jan. 7, 2020**

(54) **LED LIGHT**

(71) Applicants: **Haining Xincheng Electronics Co., LTD.**, Haining (CN); **Pingli Wang**, Haining (CN)

(72) Inventors: **Jianxin Pan**, Haining (CN); **Lian Wu**, Haining (CN); **Hongbo Li**, Haining (CN)

(**) Term: **15 Years**

(21) Appl. No.: **29/664,642**

(22) Filed: **Sep. 27, 2018**

(51) **LOC (12) Cl.** **26-04**

(52) **U.S. Cl.**
USPC **D26/2**

(58) **Field of Classification Search**
USPC D26/1-4
CPC H01R 5/00; H01R 13/46; H01R 13/514;
H01R 31/048; H01R 31/02; H01J 5/00;
H01J 5/16; H01J 1/02; H01J 15/00; H01J
5/48; H01J 5/50; H01J 19/54; F21V 5/00;
F21K 9/00; F21K 29/004
See application file for complete search history.

(56) **References Cited**

U.S. PATENT DOCUMENTS

D627,085 S * 11/2010 Duan D26/2
D629,929 S * 12/2010 Chen D26/2

D633,226 S * 2/2011 Katsaros D26/2
D634,451 S * 3/2011 de Visser D26/2
D642,704 S * 8/2011 Hagens D26/2
D692,596 S * 10/2013 Webb D26/2

* cited by examiner

Primary Examiner — Marcus A Jackson

(74) *Attorney, Agent, or Firm* — Gokalp Bayramoglu

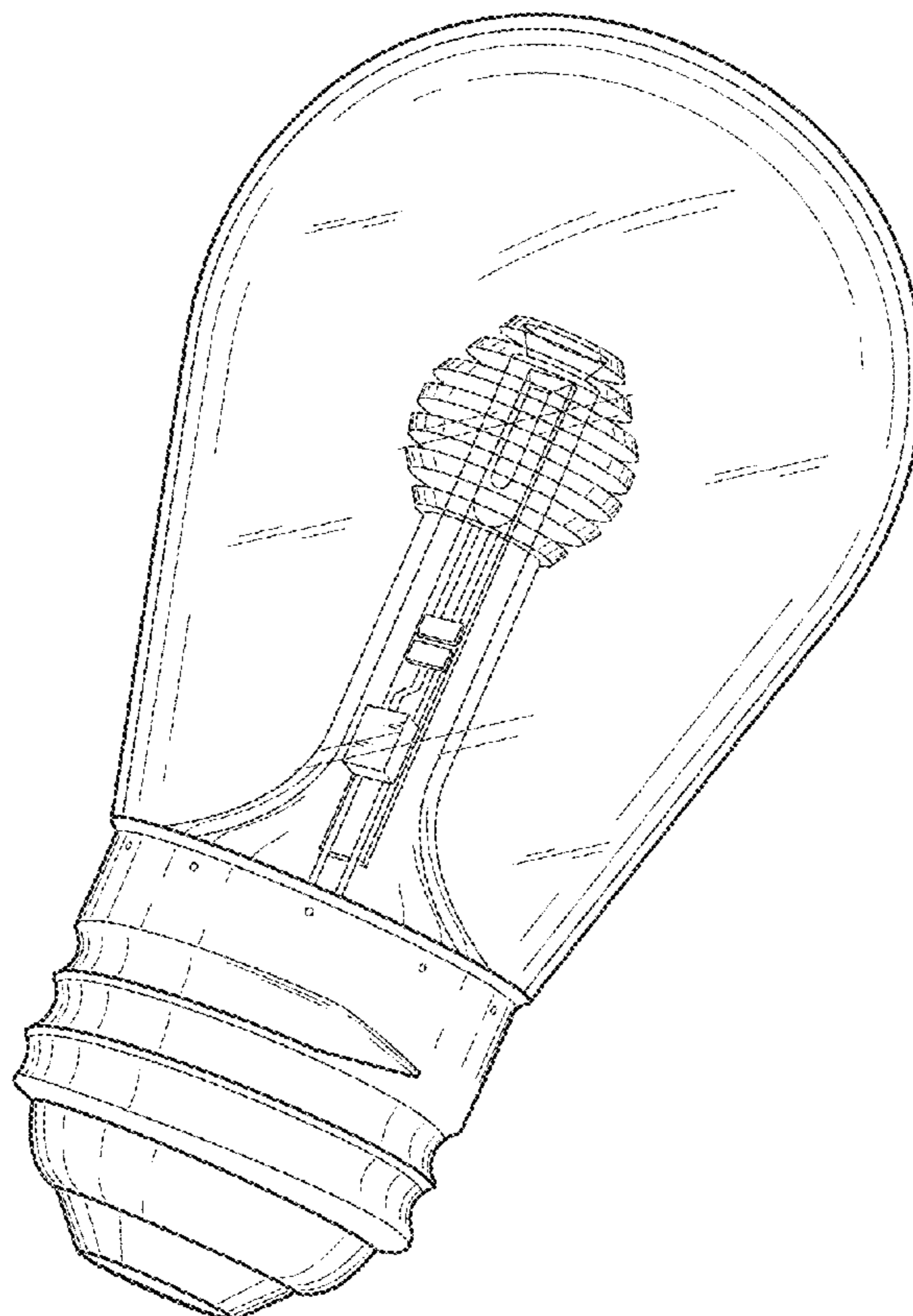
(57) **CLAIM**

The ornamental design for an LED light, as shown and described.

DESCRIPTION

FIG. 1 is a perspective view of an LED light showing my new design;
FIG. 2 is an exploded view thereof;
FIG. 3 is a front elevation view thereof;
FIG. 4 is a rear elevation view thereof;
FIG. 5 is a left elevation view thereof;
FIG. 6 is a right elevation view thereof;
FIG. 7 is a top plan view thereof; and,
FIG. 8 is a bottom plan view thereof.

1 Claim, 8 Drawing Sheets



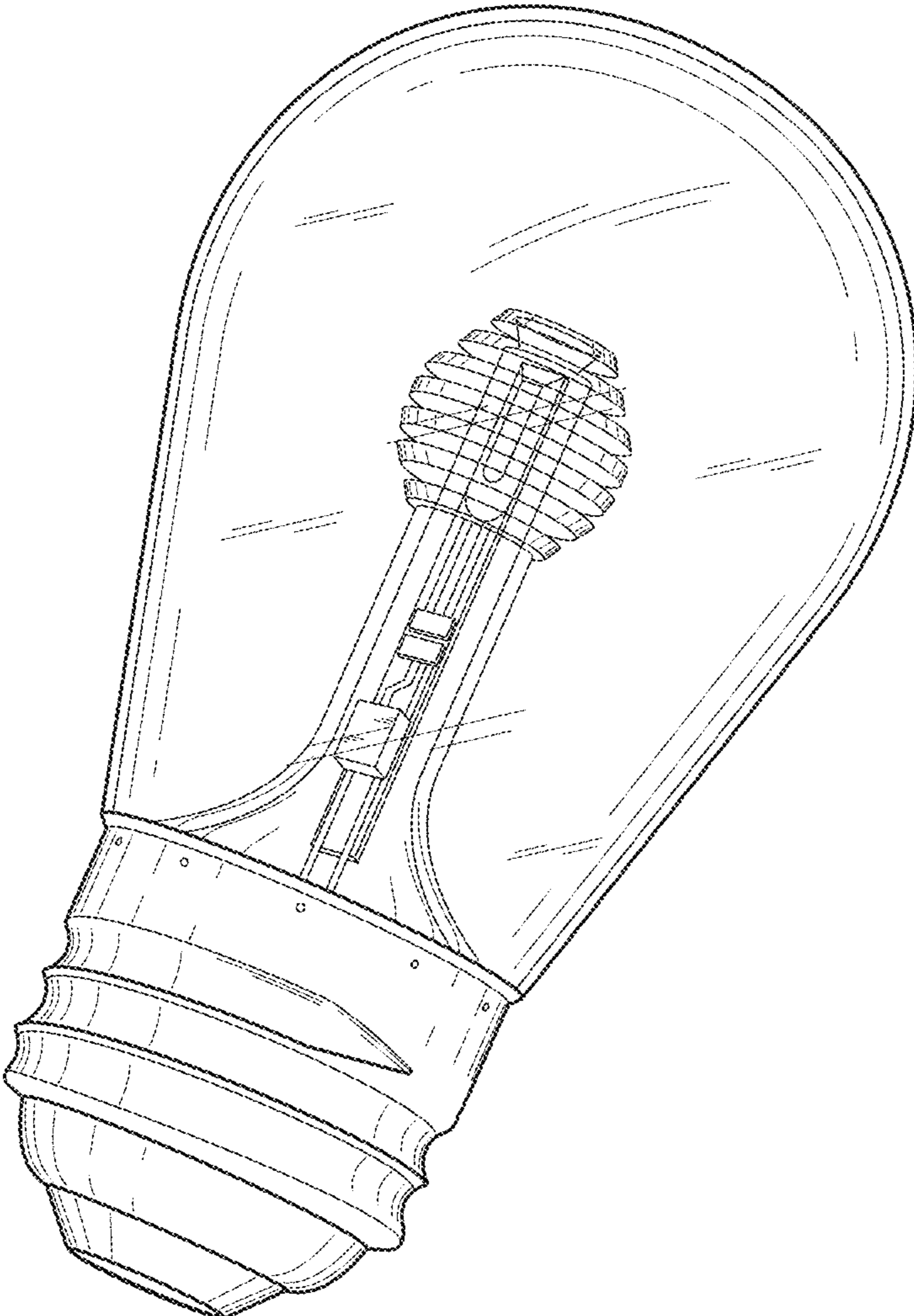


Fig. 1

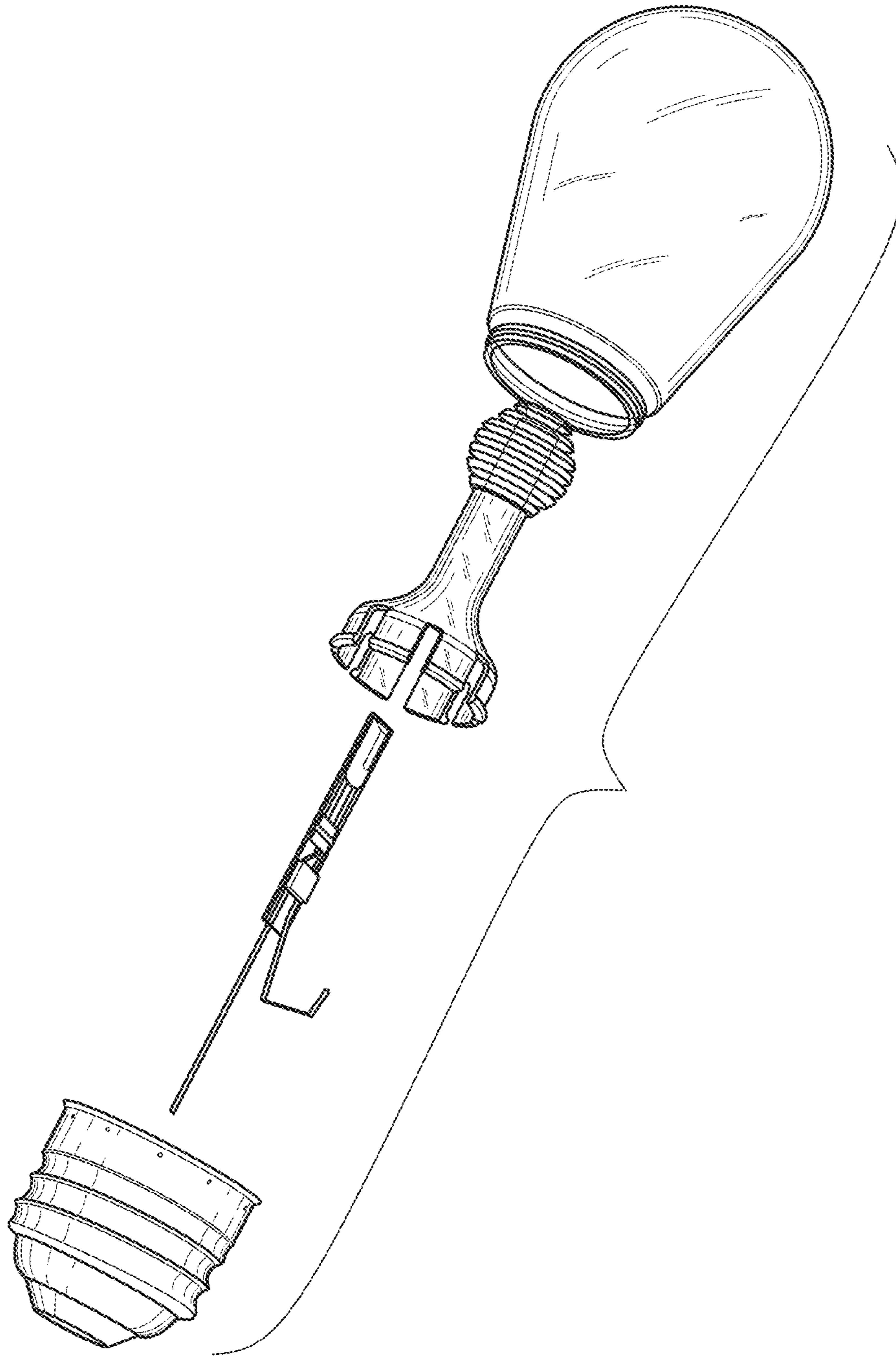


Fig. 2

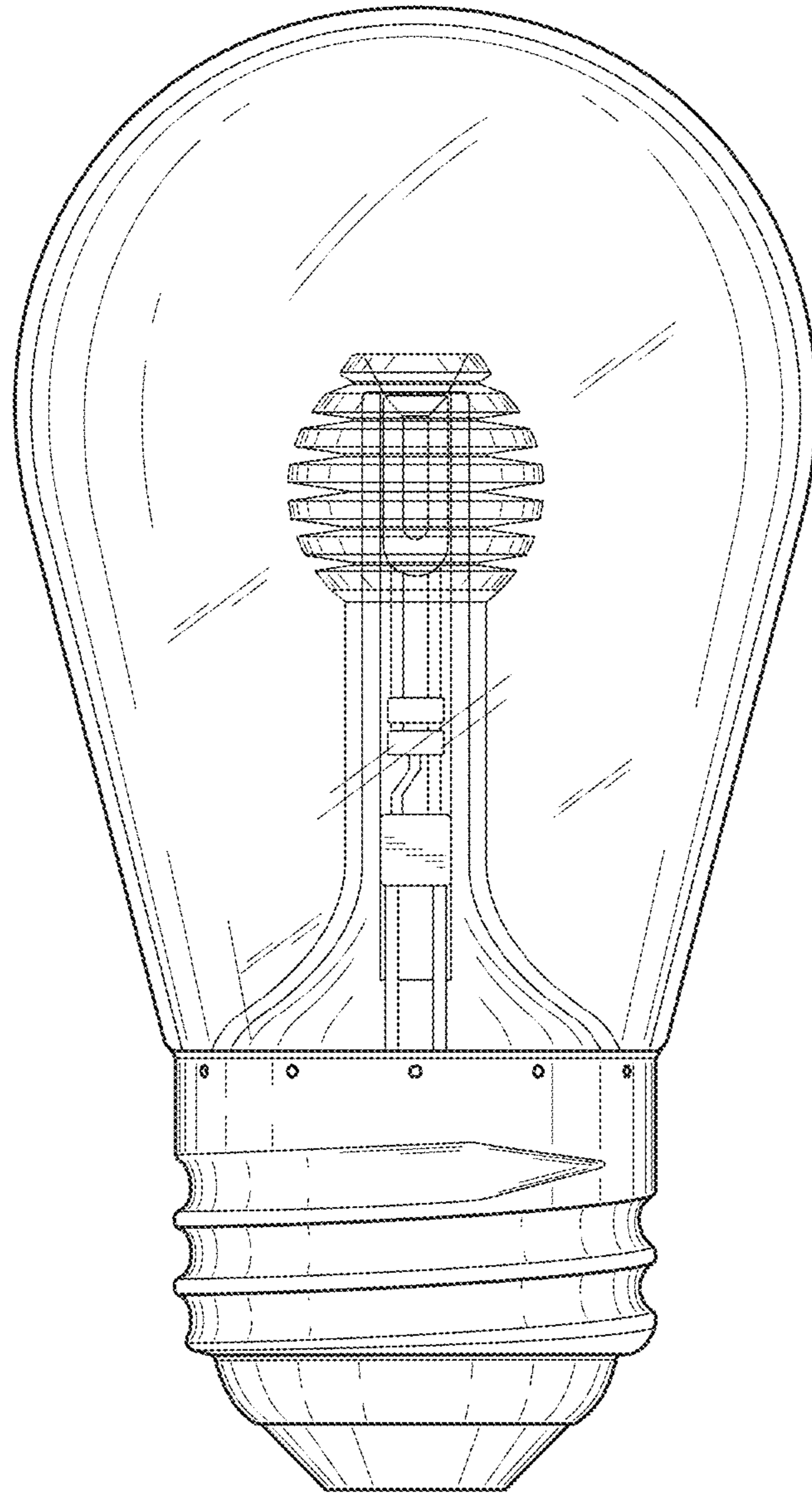


Fig. 3

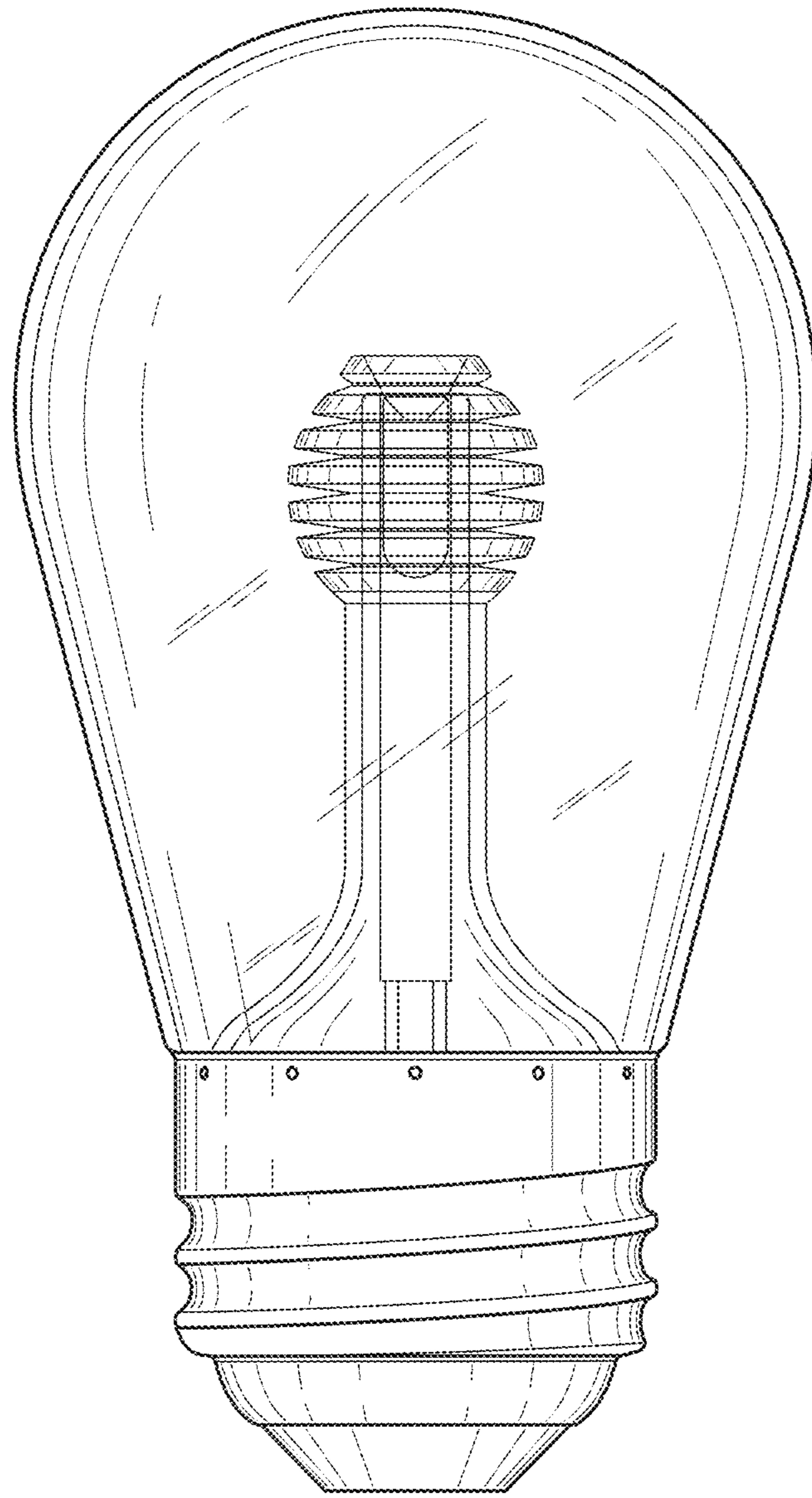


Fig. 4

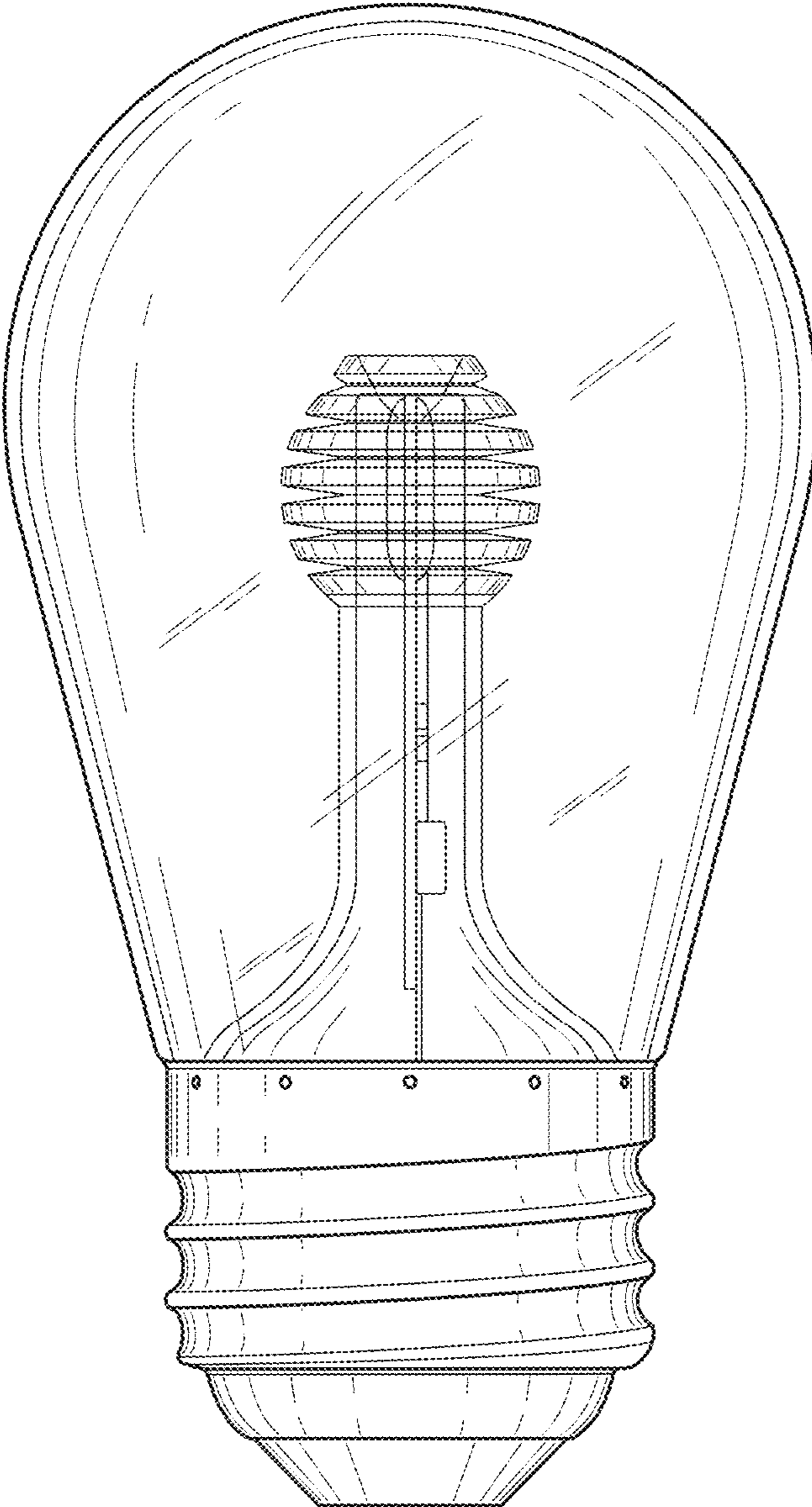


Fig. 5

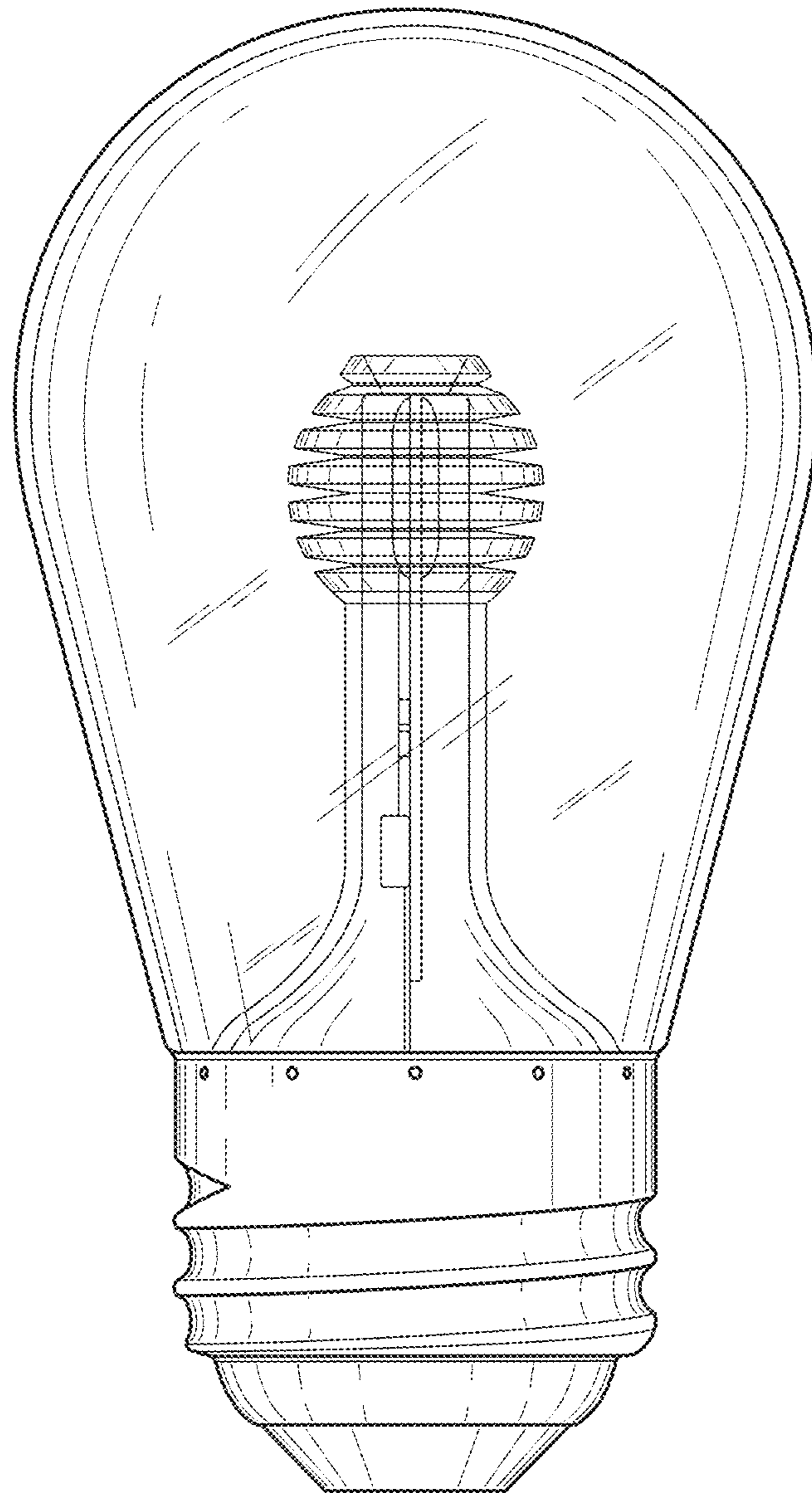


Fig. 6

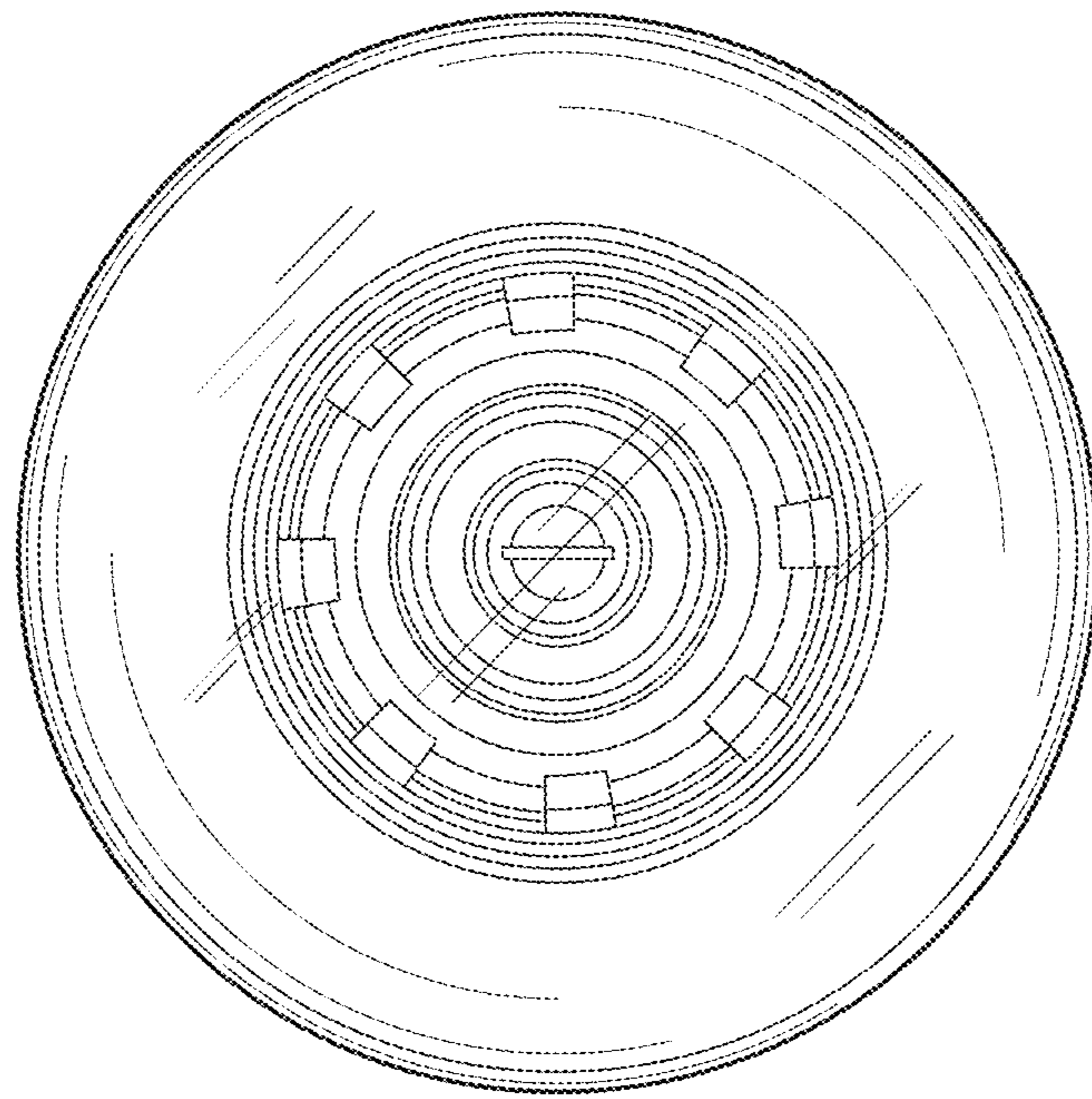


Fig. 7

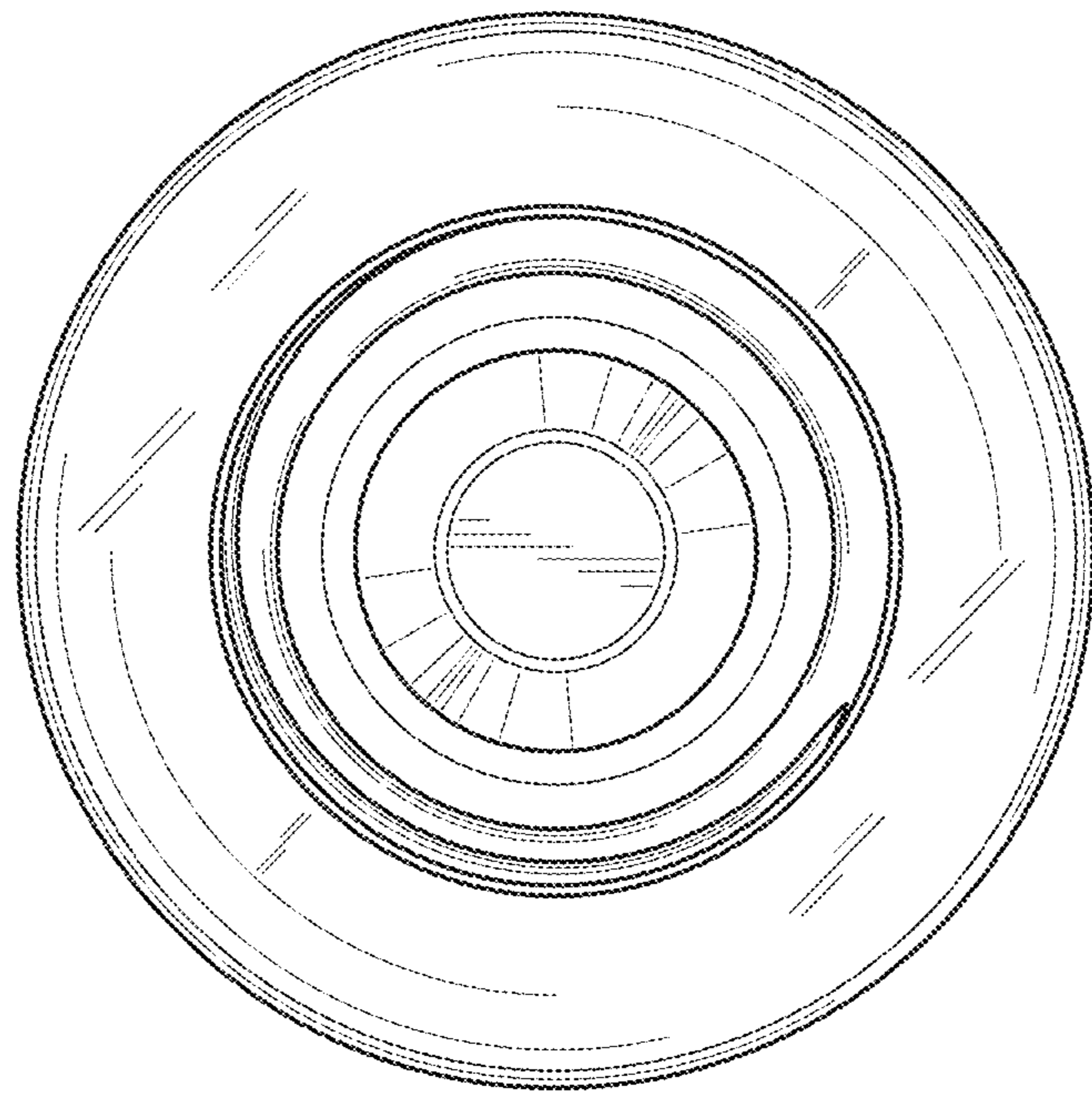


Fig. 8