



US00D872313S

(12) **United States Design Patent**
Deng

(10) **Patent No.:** **US D872,313 S**
(45) **Date of Patent:** **** Jan. 7, 2020**

- (54) **FRAMING EXTRUSION**
- (71) Applicant: **Xiuying Deng**, Foshan (CN)
- (72) Inventor: **Xiuying Deng**, Foshan (CN)
- (73) Assignee: **FOSHAN WEI HUI PLASTIC PROFILE CO., LTD**, Foshan, Guangdong (CN)

D351,044 S *	9/1994	Cole	D25/124
D360,266 S *	7/1995	DiGiorgio	D25/124
D384,424 S *	9/1997	Schrader	D25/124
D450,139 S *	11/2001	Roberts	D25/124
D476,090 S *	6/2003	Franson	D25/124
D500,562 S *	1/2005	Kim	D25/124
D546,976 S *	7/2007	Ye	D25/124
D546,978 S *	7/2007	Ye	D25/124

* cited by examiner

(**) Term: **15 Years**

Primary Examiner — L. Martinez

(21) Appl. No.: **29/653,921**

(22) Filed: **Jun. 19, 2018**

(57) **CLAIM**

(51) **LOC (12) Cl.** **25-01**

The ornamental design for framing extrusion, as shown and described.

(52) **U.S. Cl.**

USPC **D25/124**

(58) **Field of Classification Search**

USPC D25/61, 119–125, 164, 199
 CPC ... E06B 1/00; E06B 1/006; E06B 1/02; E06B 1/04; E06B 1/12; E06B 1/14; E06B 1/16; E06B 1/26; E06B 1/28; E06B 1/36; E06B 1/366; E06B 1/40; E06B 1/52; E06B 1/524; E06B 5/00; E06B 5/003; E06B 5/20; E06B 5/205

DESCRIPTION

FIG. 1 is a perspective view of a framing extrusion showing my new design; and, FIG. 2 is a front elevation view thereof. The framing extrusion is shown with a symbolic break in its length. The appearance of any portion of the framing extrusion between the break lines forms no part of the claimed design.

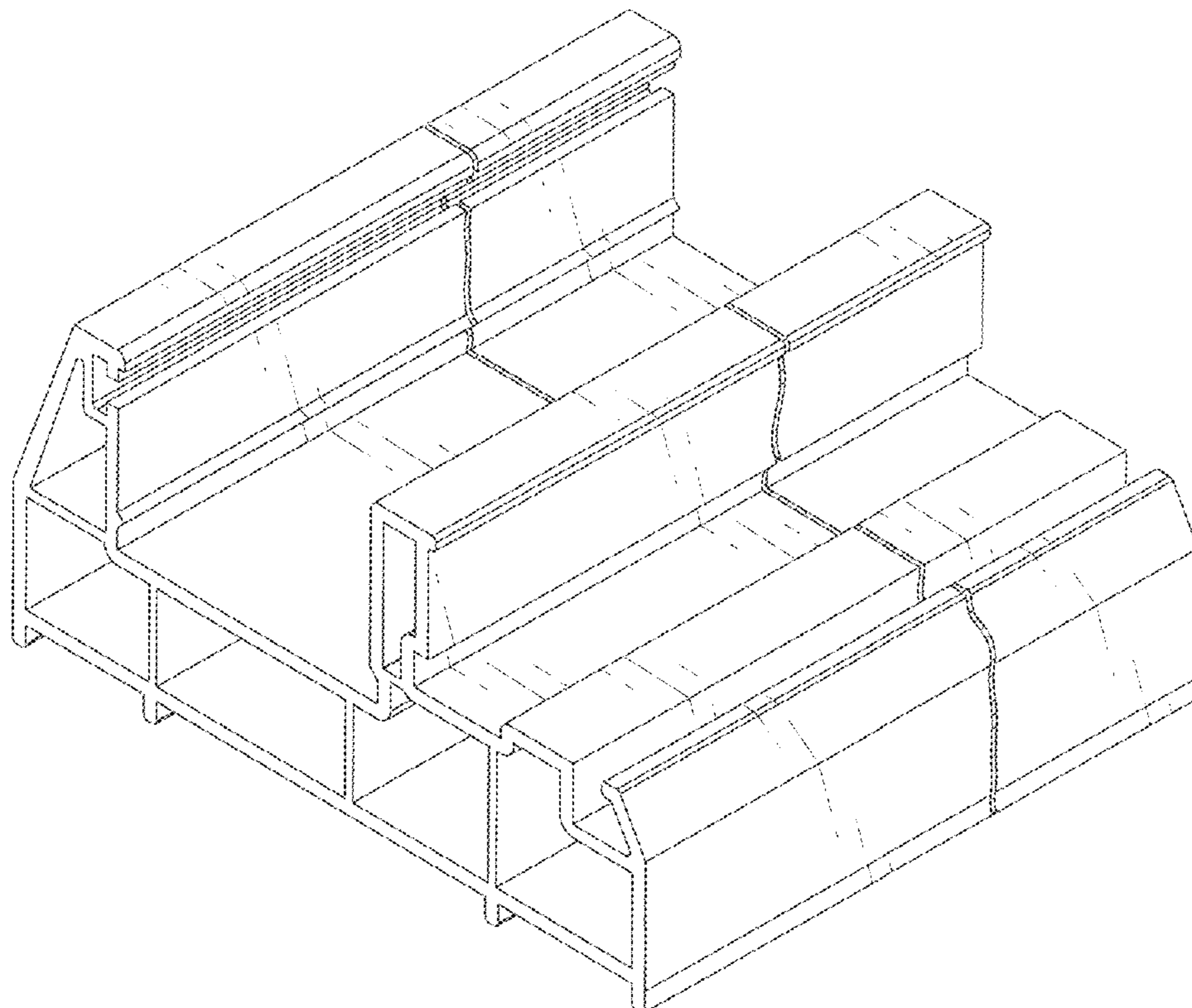
See application file for complete search history.

(56) **References Cited**

U.S. PATENT DOCUMENTS

D336,143 S *	6/1993	Cole	D25/124
D336,962 S *	6/1993	Cole	D25/124

1 Claim, 2 Drawing Sheets



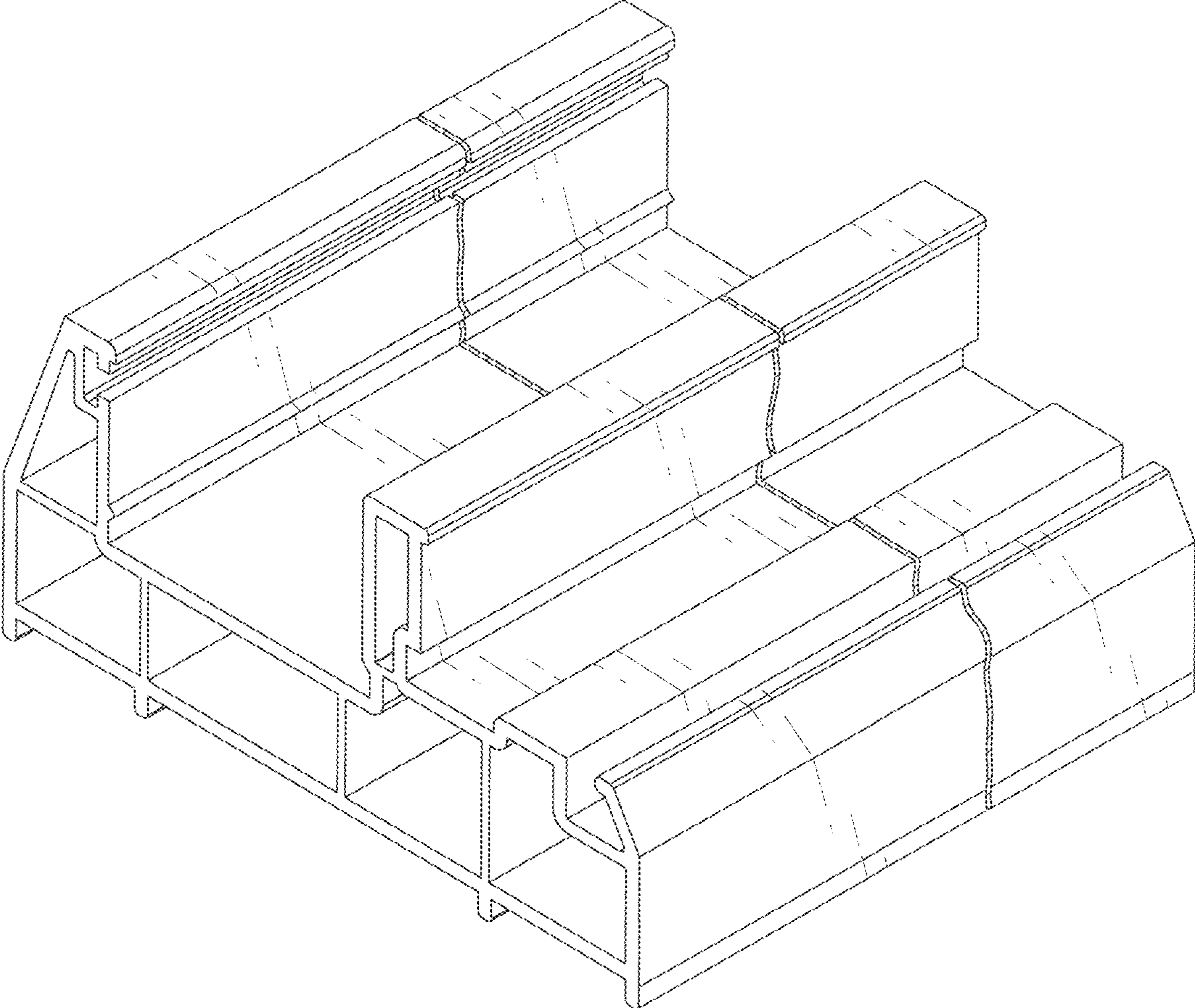


Fig. 1

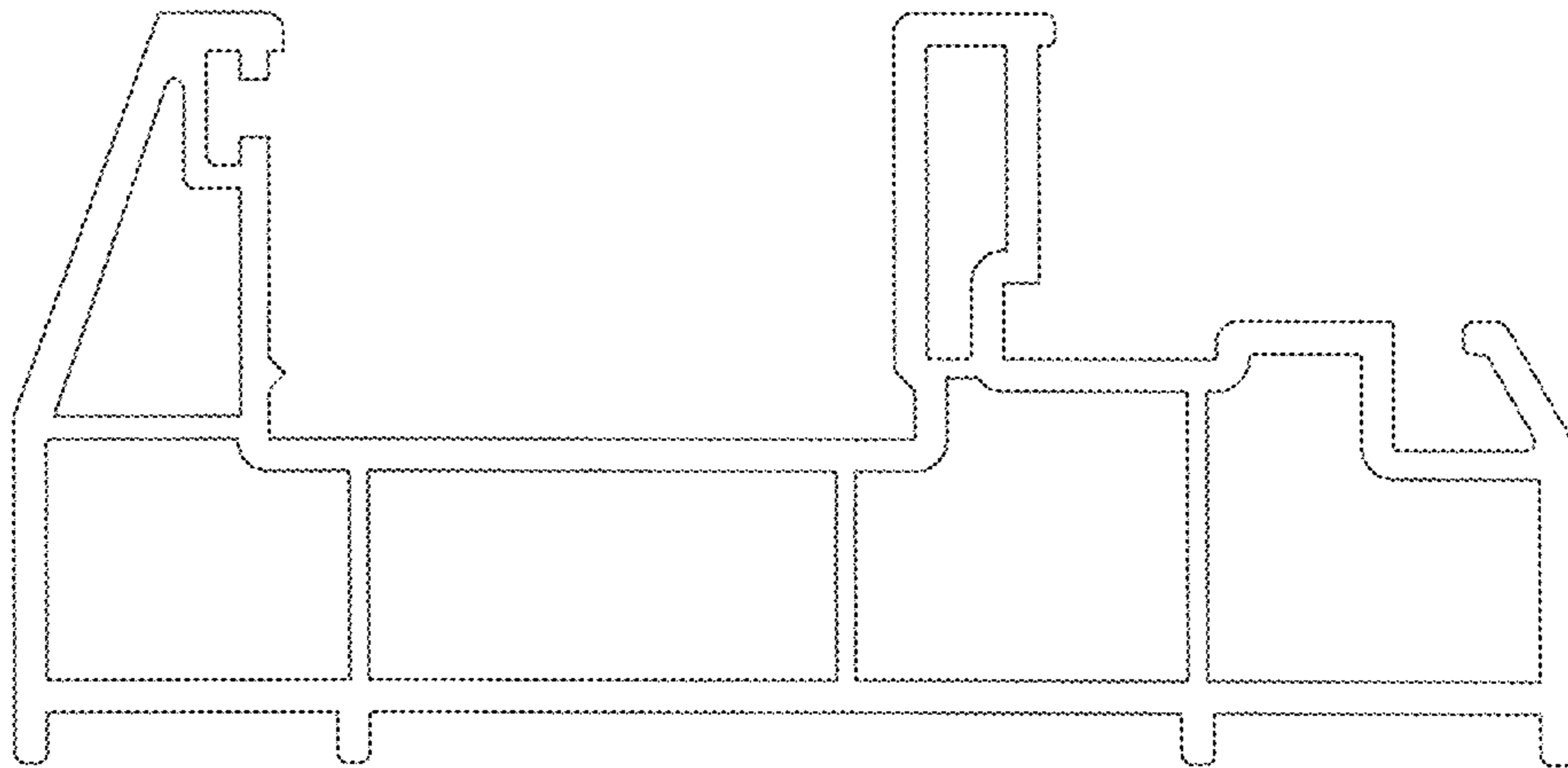


Fig.2