



US00D872312S

(12) **United States Design Patent**  
**Desrosiers**

(10) **Patent No.:** **US D872,312 S**  
(45) **Date of Patent:** **\*\* Jan. 7, 2020**

- (54) **DOOR JAMB EXTRUSION**
- (71) Applicant: **P.H. Tech Inc.**, Levis (CA)
- (72) Inventor: **Anne-Marie Desrosiers**, St-Apollinaire (CA)
- (73) Assignee: **P.H. Tech Inc.**, Levis (CA)
- (\*\*) Term: **15 Years**
- (21) Appl. No.: **29/630,077**
- (22) Filed: **Dec. 19, 2017**
- (51) **LOC (12) Cl.** ..... **25-01**
- (52) **U.S. Cl.**  
USPC ..... **D25/124**
- (58) **Field of Classification Search**  
USPC ..... D25/48.1, 48.2, 48.3, 60, 61, 119-126,  
D25/164, 199  
CPC ..... E06B 1/00; E06B 1/02; E06B 1/04; E06B  
1/12; E06B 1/14; E06B 1/16; E06B 1/18;  
E06B 1/20; E06B 1/26; E06B 1/28; E06B  
1/34; E06B 1/342; E06B 1/52; E06B  
1/524; E06B 7/00; E06B 7/02; E06B  
7/14; E06B 7/16; E06B 7/18; E06B 7/22;  
E06B 7/26; E04F 19/02; E04F 19/022;  
E04F 19/026; E04F 19/028; E04F 19/06;  
E04F 19/061  
See application file for complete search history.

- (56) **References Cited**  
U.S. PATENT DOCUMENTS  
D353,212 S \* 12/1994 Schrader ..... D25/124  
D366,328 S \* 1/1996 Oliver ..... D25/124  
D380,562 S \* 7/1997 Colitto ..... D25/124  
D394,510 S \* 5/1998 Dallaire ..... D25/124  
D400,269 S \* 10/1998 Franson ..... D25/124

- D405,894 S \* 2/1999 Oliver ..... D25/124
- 6,357,186 B1 \* 3/2002 Gould ..... E06B 7/14  
52/209
- D463,580 S \* 9/2002 Lockbeam ..... D25/124
- D468,029 S \* 12/2002 Salas ..... D25/124
- D513,330 S \* 12/2005 Wickland ..... D25/124
- D546,976 S \* 7/2007 Ye ..... D25/124
- D590,073 S \* 4/2009 Schrader ..... D25/124
- D591,429 S \* 4/2009 Franson ..... D25/124
- D640,395 S \* 6/2011 Wickland ..... D25/124
- D664,681 S \* 7/2012 Kim ..... D25/124
- D713,555 S \* 9/2014 Stankay ..... D25/124
- 2013/0008089 A1 \* 1/2013 Mancebo ..... E06B 7/26  
49/413
- 2018/0106095 A1 \* 4/2018 Seiling ..... E06B 7/14

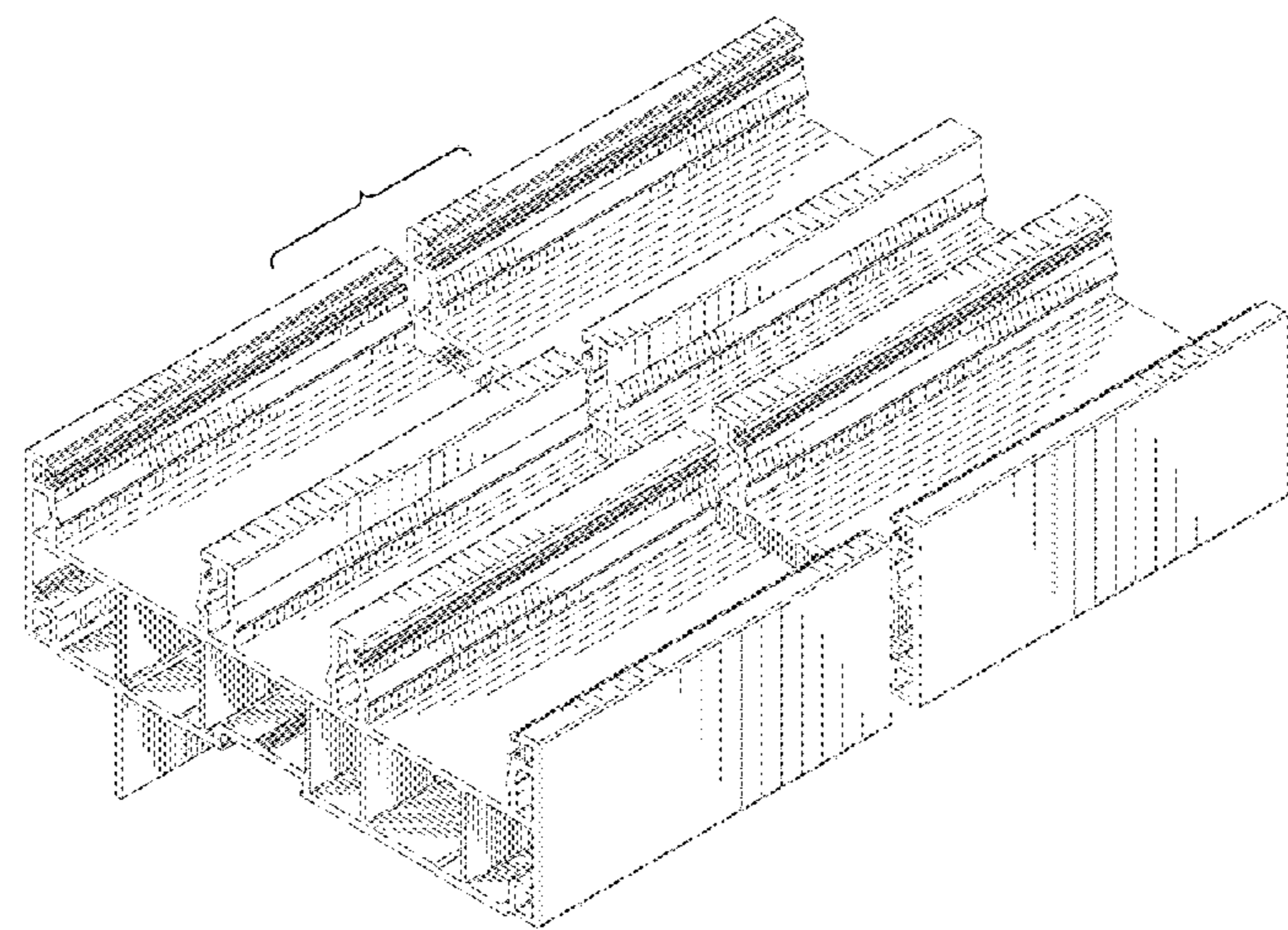
\* cited by examiner

*Primary Examiner* — L. Martinez  
(74) *Attorney, Agent, or Firm* — Borden Ladner Gervais  
LLP; Curtis B. Behmann

(57) **CLAIM**  
The ornamental design for a door jamb extrusion, as shown  
and described.

**DESCRIPTION**  
FIG. 1 is a perspective view of a door jamb extrusion  
showing my new design;  
FIG. 2 is a front view thereof;  
FIG. 3 is a rear view thereof;  
FIG. 4 is a right side view thereof;  
FIG. 5 is a left side view thereof;  
FIG. 6 is a top plan view thereof; and,  
FIG. 7 is a bottom view thereof.  
The door jamb extrusion is shown with a symbolic break in  
its length. The appearance of any portion of the door jamb  
extrusion between the jagged break lines forms no part of the  
claimed design.

**1 Claim, 7 Drawing Sheets**



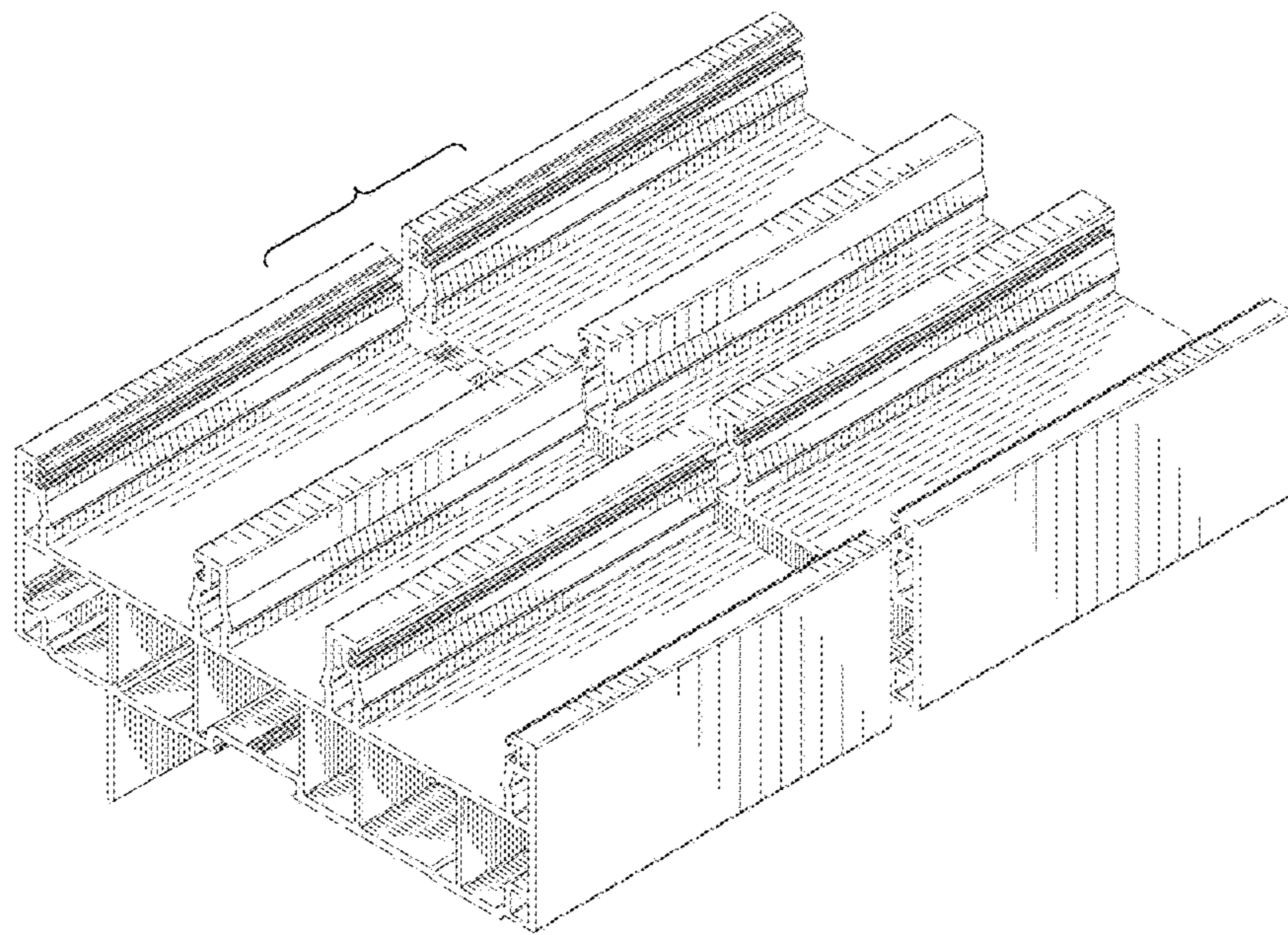


FIG.1

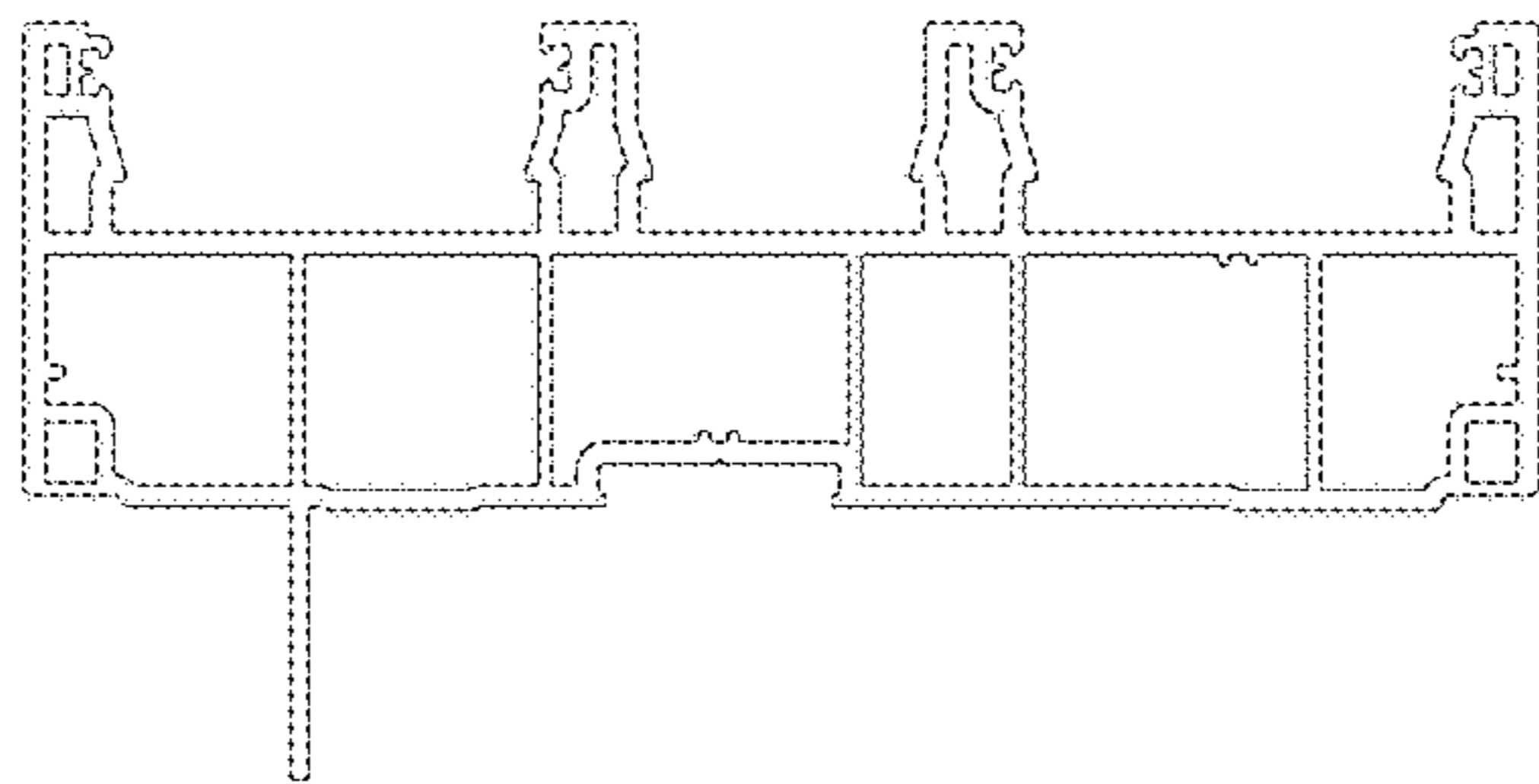


FIG.2

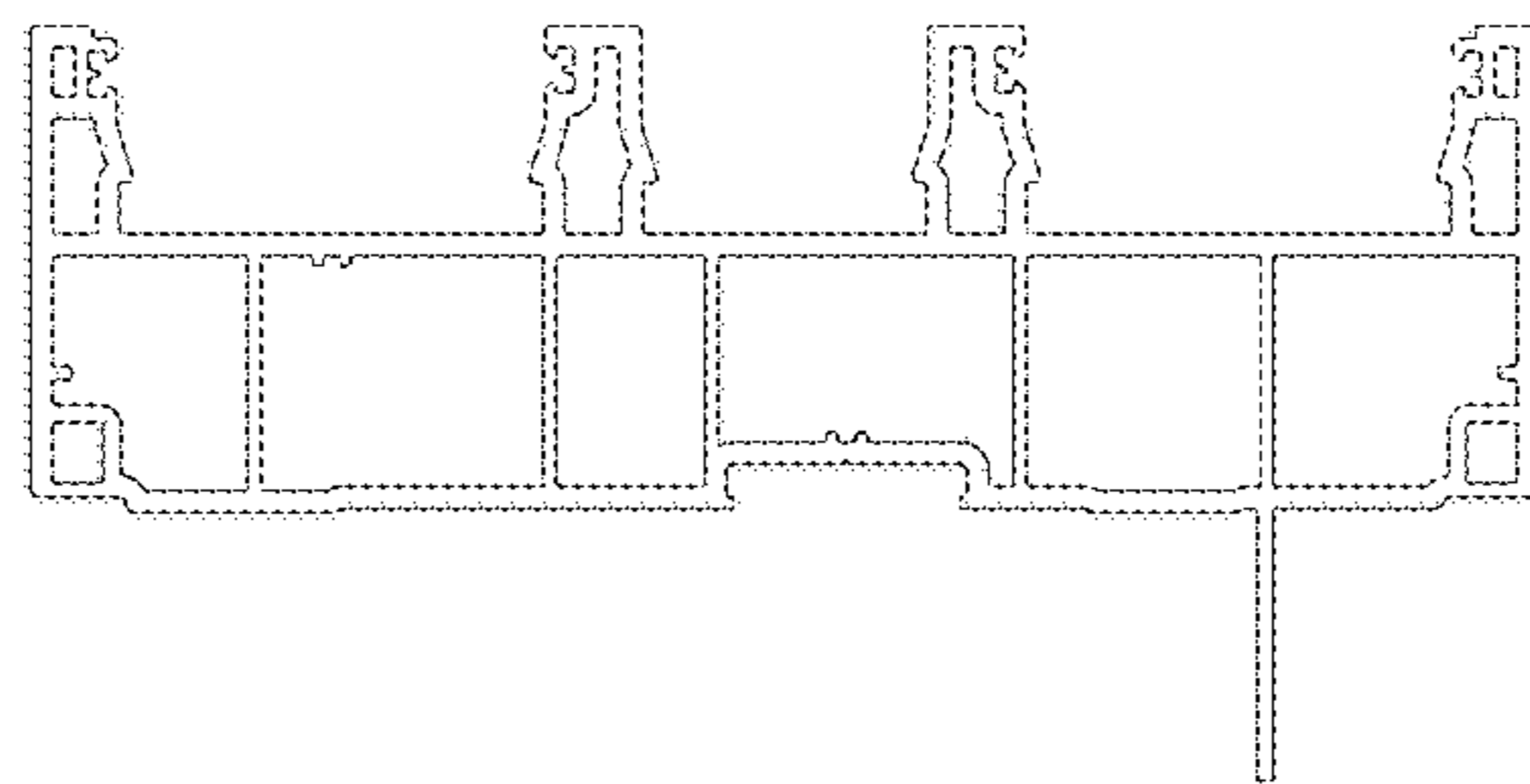


FIG.3

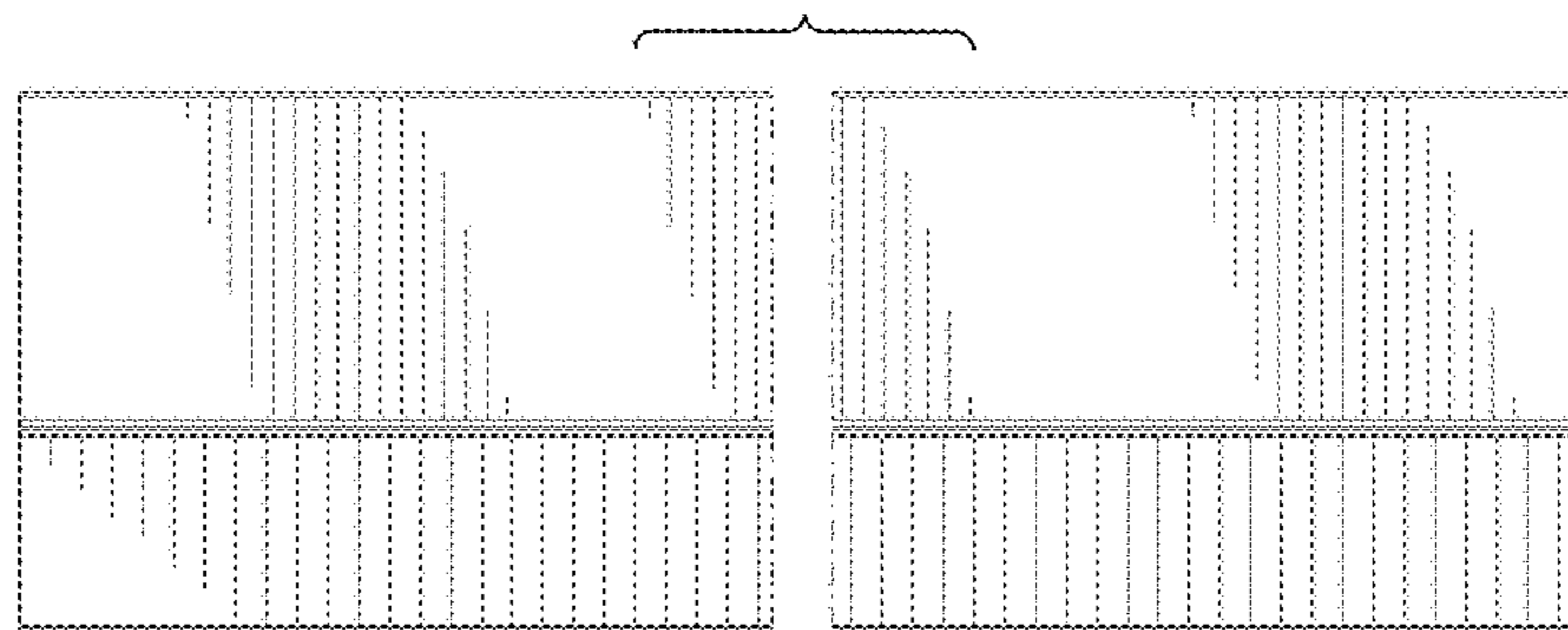


FIG.4



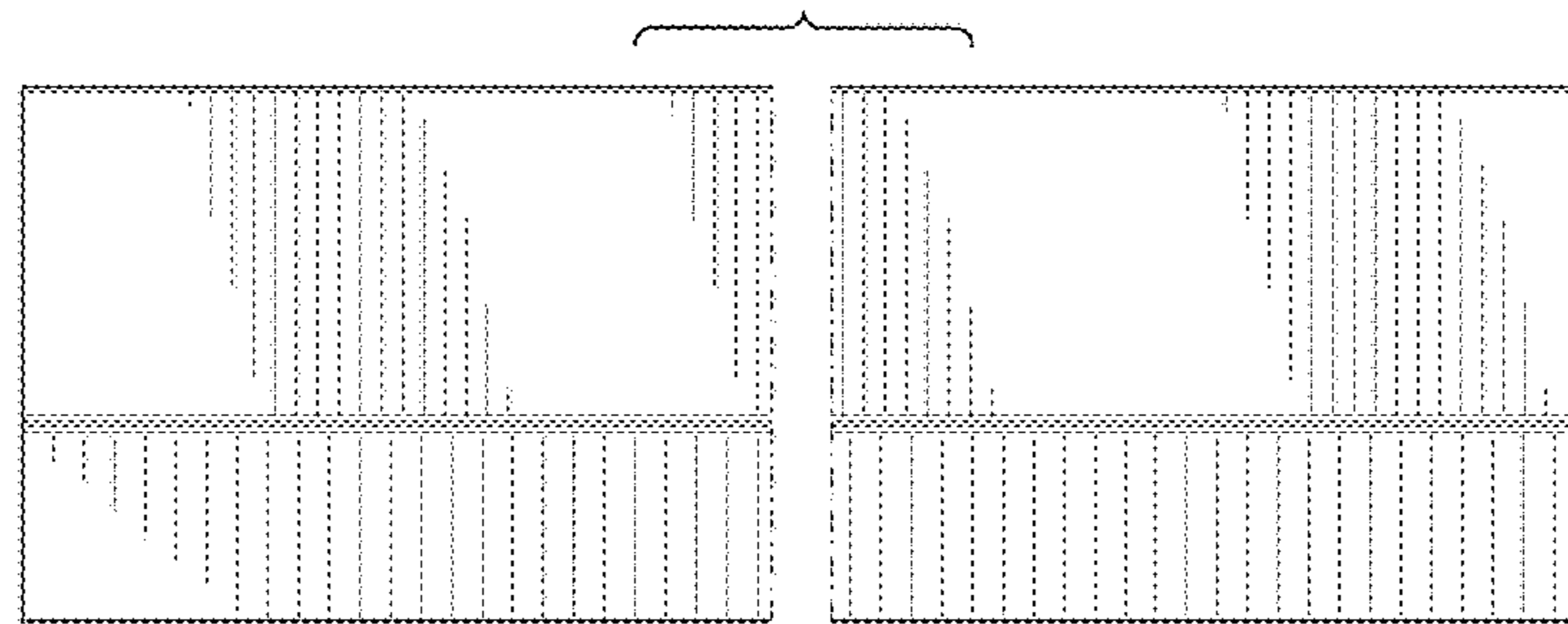


FIG.5

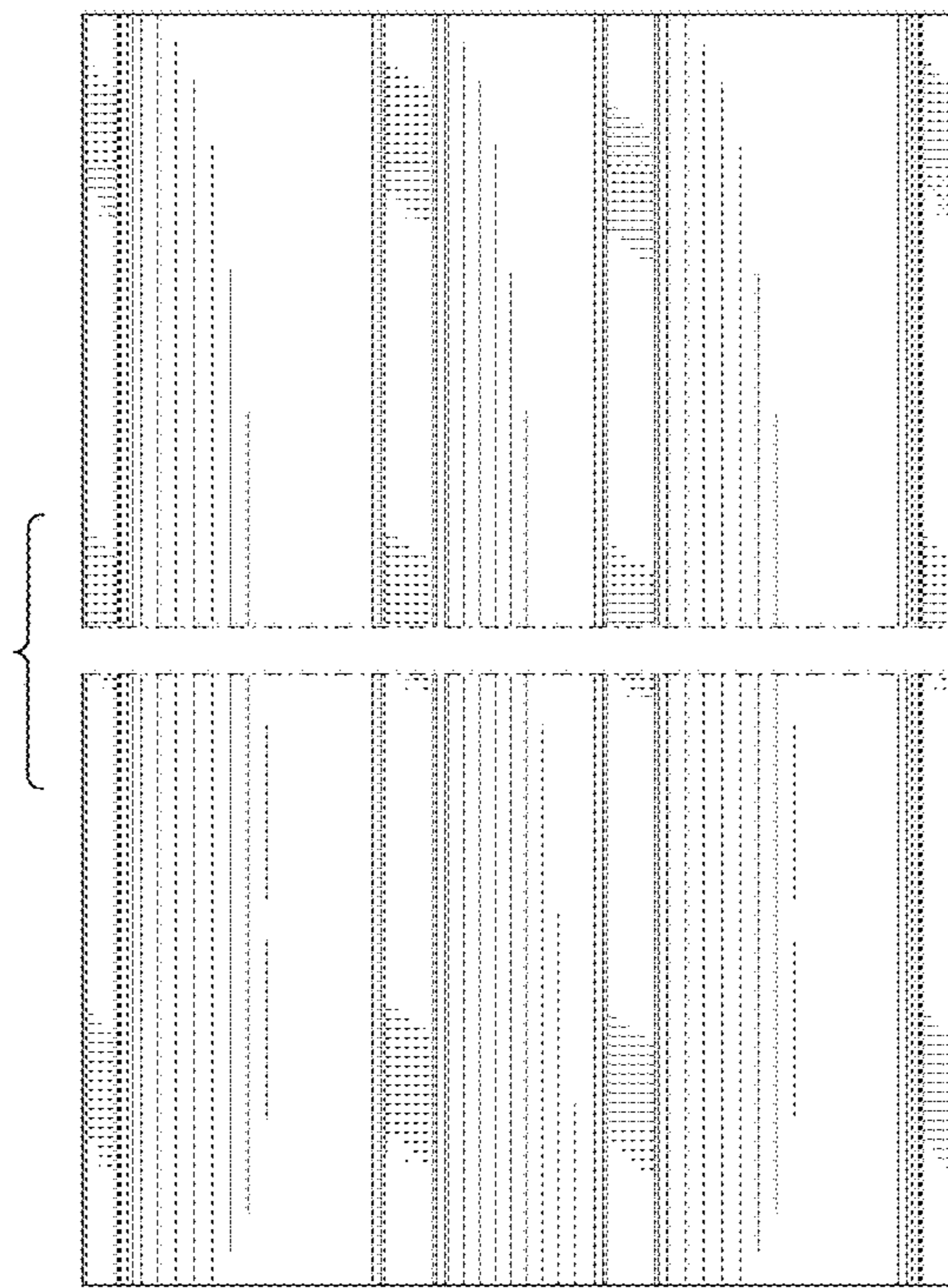


FIG.6

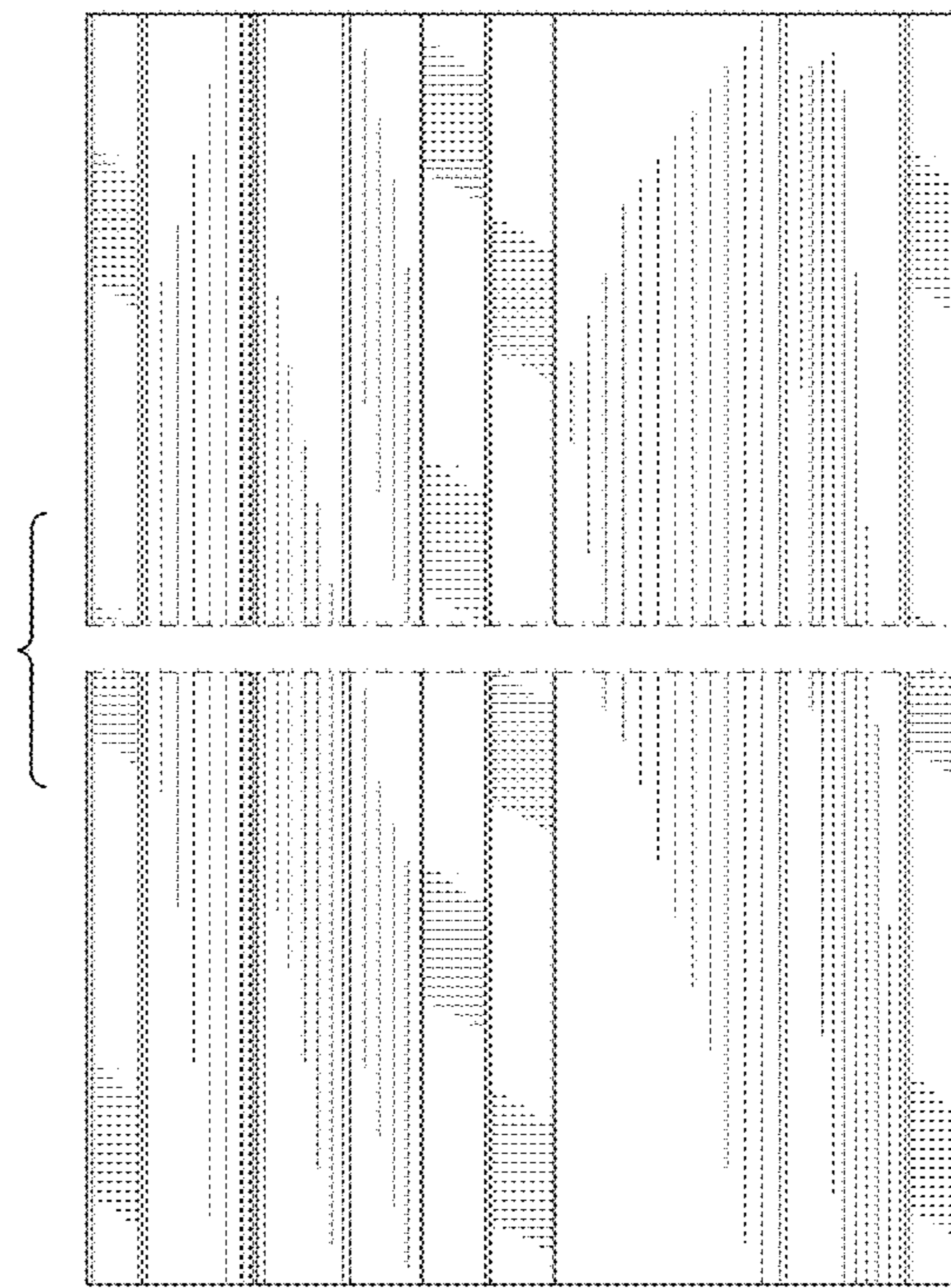


FIG. 7