



US00D872310S

(12) **United States Design Patent** (10) **Patent No.:** **US D872,310 S**
Honeycutt (45) **Date of Patent:** **** *Jan. 7, 2020**

(54) **PLATFORM MODULE**

- (71) Applicant: **Safe Rack LLC**, Andrews, SC (US)
 (72) Inventor: **Robert W. Honeycutt**, Pawleys Island, SC (US)
 (73) Assignee: **Safe Rack LLC**, Andrews, SC (US)
 (*) Notice: This patent is subject to a terminal disclaimer.
 (**) Term: **15 Years**
 (21) Appl. No.: **29/668,357**
 (22) Filed: **Oct. 30, 2018**

Related U.S. Application Data

- (63) Continuation of application No. 14/732,207, filed on Jun. 5, 2015, now Pat. No. 10,358,871, which is a continuation of application No. 13/184,499, filed on Jul. 16, 2011, now abandoned.
 (51) **LOC (12) Cl.** **25-04**
 (52) **U.S. Cl.**
 USPC **D25/68**
 (58) **Field of Classification Search**
 USPC D25/35, 38.1, 62, 63, 66, 68, 152, 156, D25/157, 158, 119, 32, 138, 155, 142, D25/127, 133, 41.1; 52/7, 143, 582.2, 52/87, 634, 650.3, 630; 182/128, 115, 182/112, 116, 102, 123, 130, 150, 84, 88; 211/153, 134, 150, 90.01, 119.03, 195; D30/119
 CPC E04H 3/28; E04H 3/24; E04H 3/26; B63B 25/18; E04B 1/003; E04B 1/34321; E04B 1/34384; E04B 5/02
 See application file for complete search history.

(56) **References Cited**

U.S. PATENT DOCUMENTS

D350,613 S *	9/1994	Fahy, Jr.	D25/138
D406,363 S *	3/1999	Molnar	D25/156
7,500,335 B1 *	3/2009	Kjose	E04H 3/28 52/182
D596,317 S *	7/2009	Favell	D25/62
D602,603 S *	10/2009	Masser	D25/156
D664,270 S *	7/2012	Curtin	D25/152
D685,926 S *	7/2013	Kim	D25/152
D737,464 S *	8/2015	Edlington	D25/62
D785,206 S *	4/2017	Ramphos	D25/38.1

* cited by examiner

Primary Examiner — Gino Colan

(74) *Attorney, Agent, or Firm* — Nelson Mullins Riley & Scarborough, LLP

(57) **CLAIM**

The ornamental design for a platform module, as shown and described.

DESCRIPTION

FIG. 1 is a perspective view of a platform module showing my new design;
 FIG. 2 is a top plan view of the platform module of FIG. 1;
 FIG. 3 is a bottom plan view of the platform module of FIG. 1;
 FIG. 4 is a front elevation view of the platform module of FIG. 1;
 FIG. 5 is a rear elevation view of the platform module of FIG. 1;
 FIG. 6 is a right side elevation view of the platform module of FIG. 1; and,
 FIG. 7 is a left side elevation view of the platform module of FIG. 1.
 The broken lines showing the tread pattern in FIGS. 1 through 3 and holes in FIG. 3 are included for the purpose of illustrating portions of the platform module which form no part of the claimed design.

1 Claim, 5 Drawing Sheets

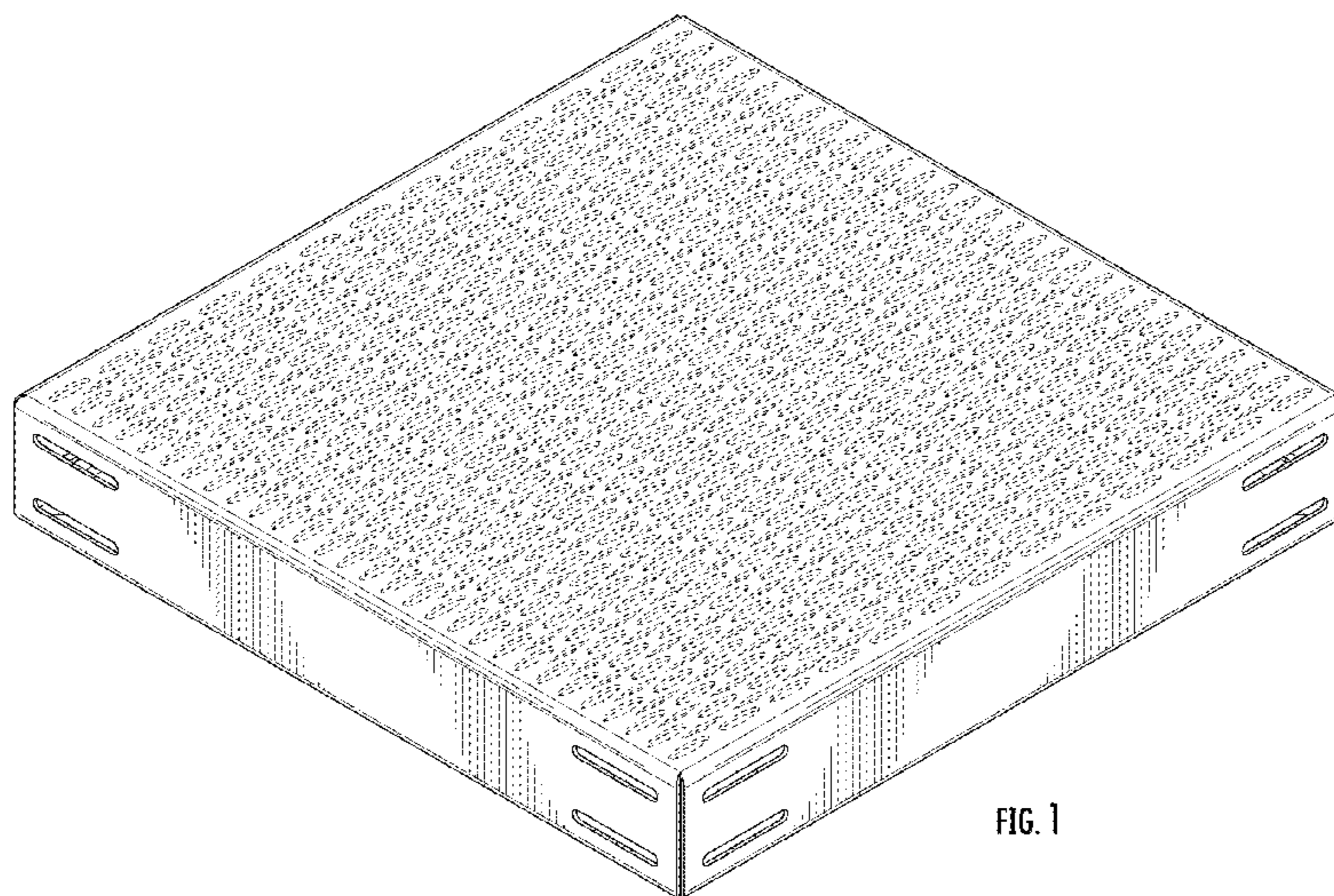


FIG. 1

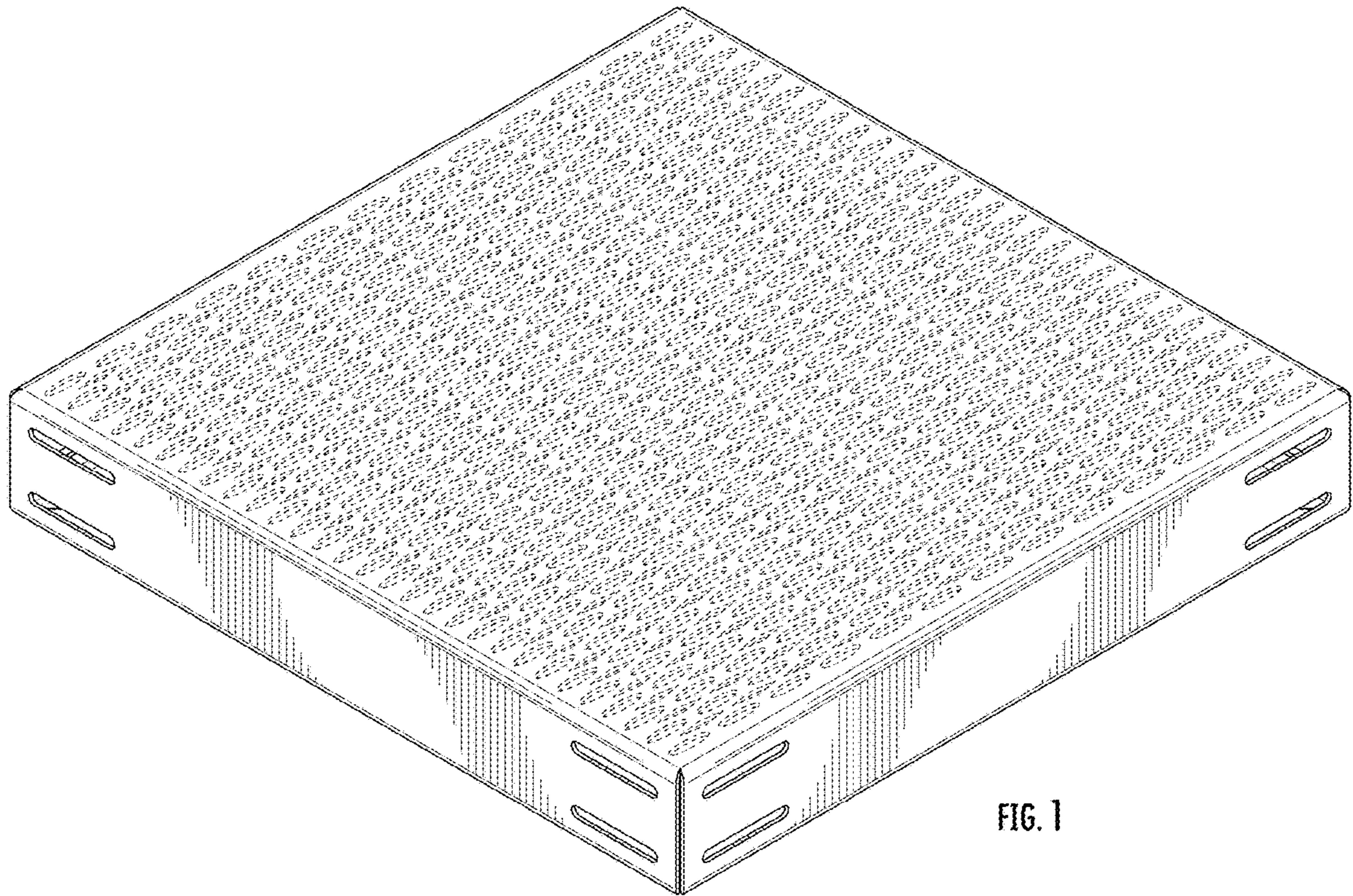


FIG. 1

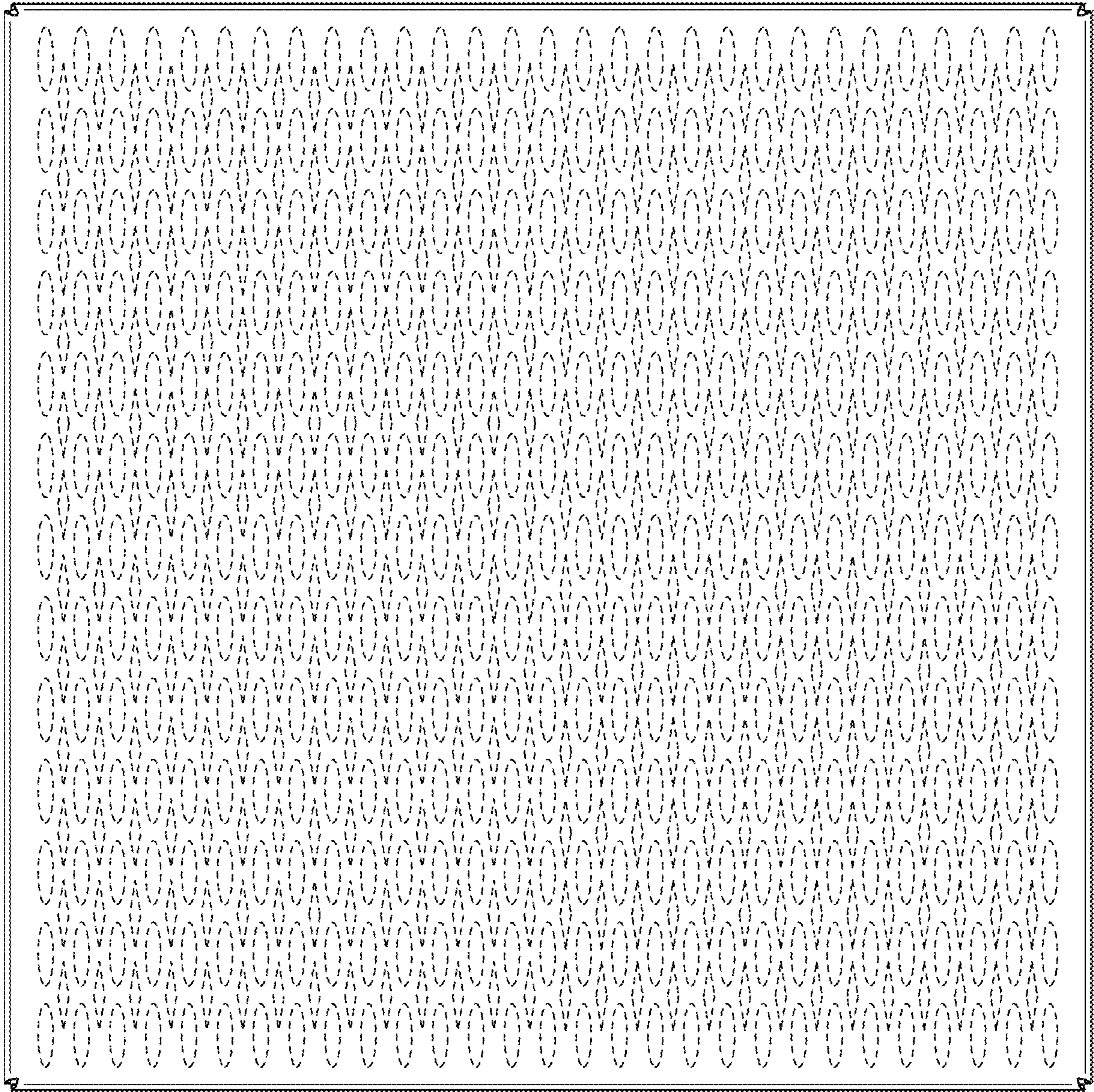


FIG. 2

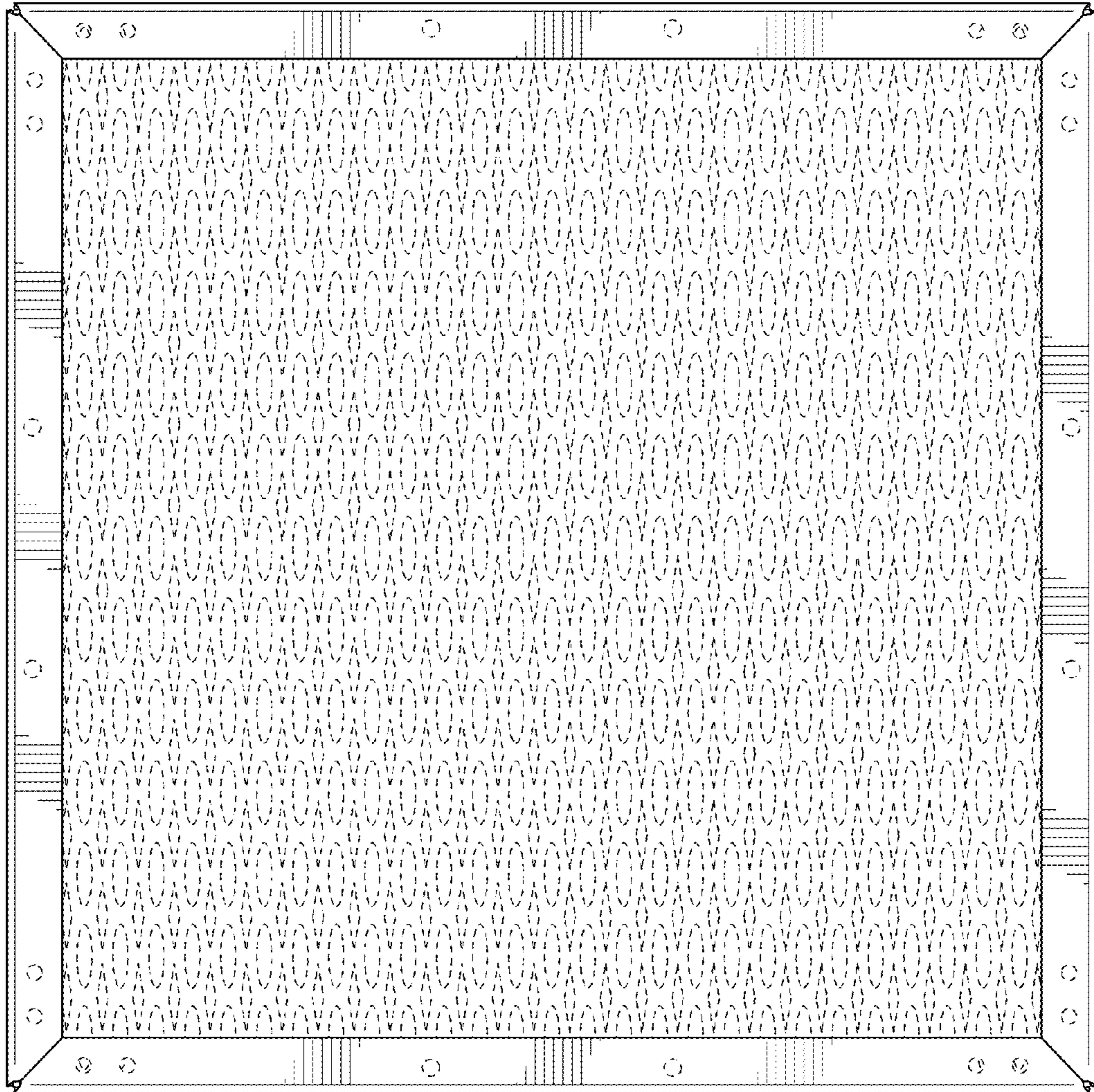


FIG. 3

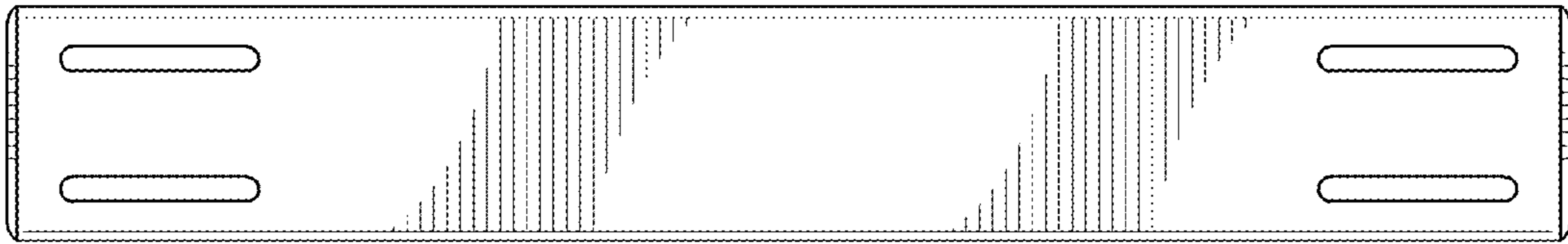


FIG. 4

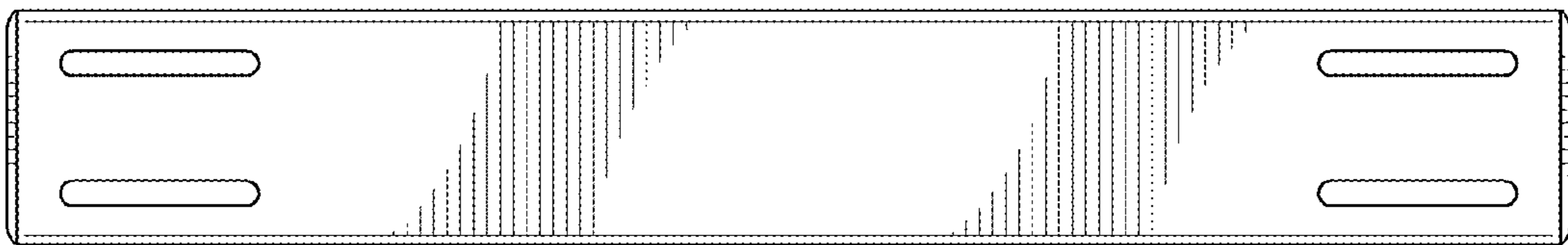


FIG. 5

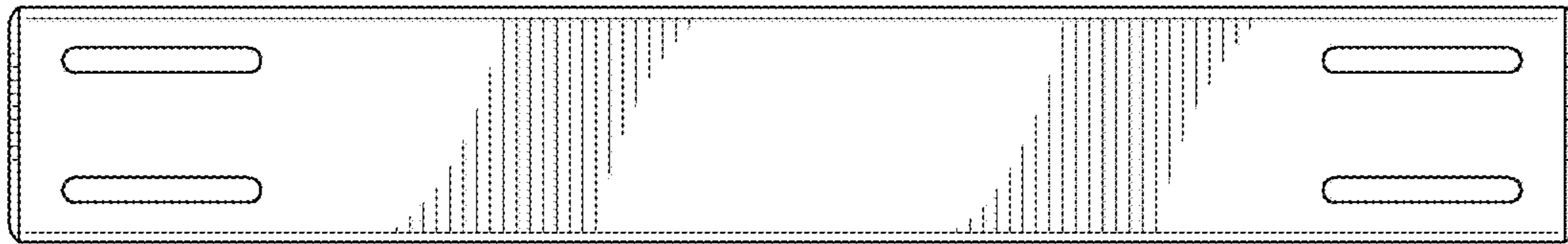


FIG. 6

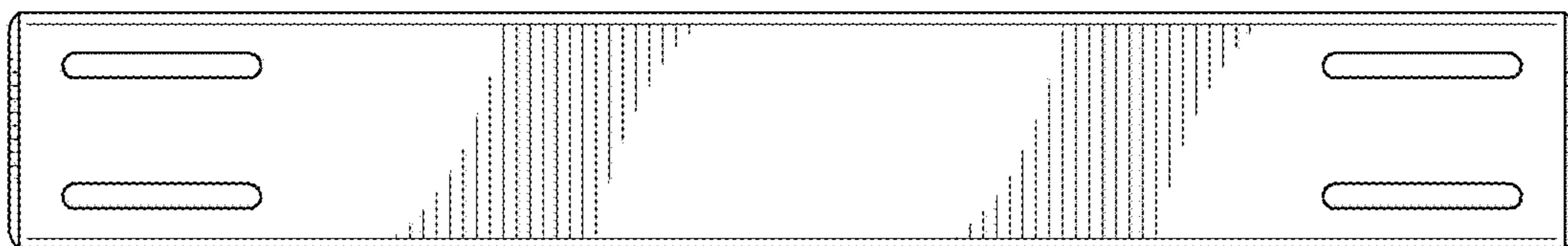


FIG. 7