



US00D872309S

(12) **United States Design Patent**
Moreno Moncada

(10) **Patent No.:** **US D872,309 S**
(45) **Date of Patent:** **** Jan. 7, 2020**

(54) **COMPONENT OF A TRIPOD STEPLADDER**
(71) Applicant: **Louisville Ladder Inc.**, Louisville, KY
(US)
(72) Inventor: **Francisco Javier Moreno Moncada**,
Monterrey (MX)
(73) Assignee: **Louisville Ladder Inc.**, Louisville, KY
(US)

5,117,941 A * 6/1992 Gruber E06C 7/484
182/107
D371,207 S * 6/1996 Redd D25/68
D378,544 S * 3/1997 Aldredge D25/68
D408,086 S * 4/1999 DuRapau D25/68
6,564,903 B2 * 5/2003 Krajec B25H 1/06
182/153

(**) Term: **15 Years**

* cited by examiner

Primary Examiner — Gino Colan
(74) *Attorney, Agent, or Firm* — Egbert Law Offices,
PLLC

(21) Appl. No.: **29/657,142**

(57) **CLAIM**

(22) Filed: **Jul. 19, 2018**

The ornamental design for a component of a tripod stepladder, as shown and described.

(51) **LOC (12) Cl.** **25-04**

(52) **U.S. Cl.**
USPC **D25/68**

DESCRIPTION

(58) **Field of Classification Search**
USPC D25/62, 68; 182/186.3, 224, 107, 214,
182/129, 185.1, 153; 248/121, 200, 210;
D8/349, 356
CPC E06C 1/22; E06C 1/39; E06C 7/08; E06C
7/423; E06C 7/48
See application file for complete search history.

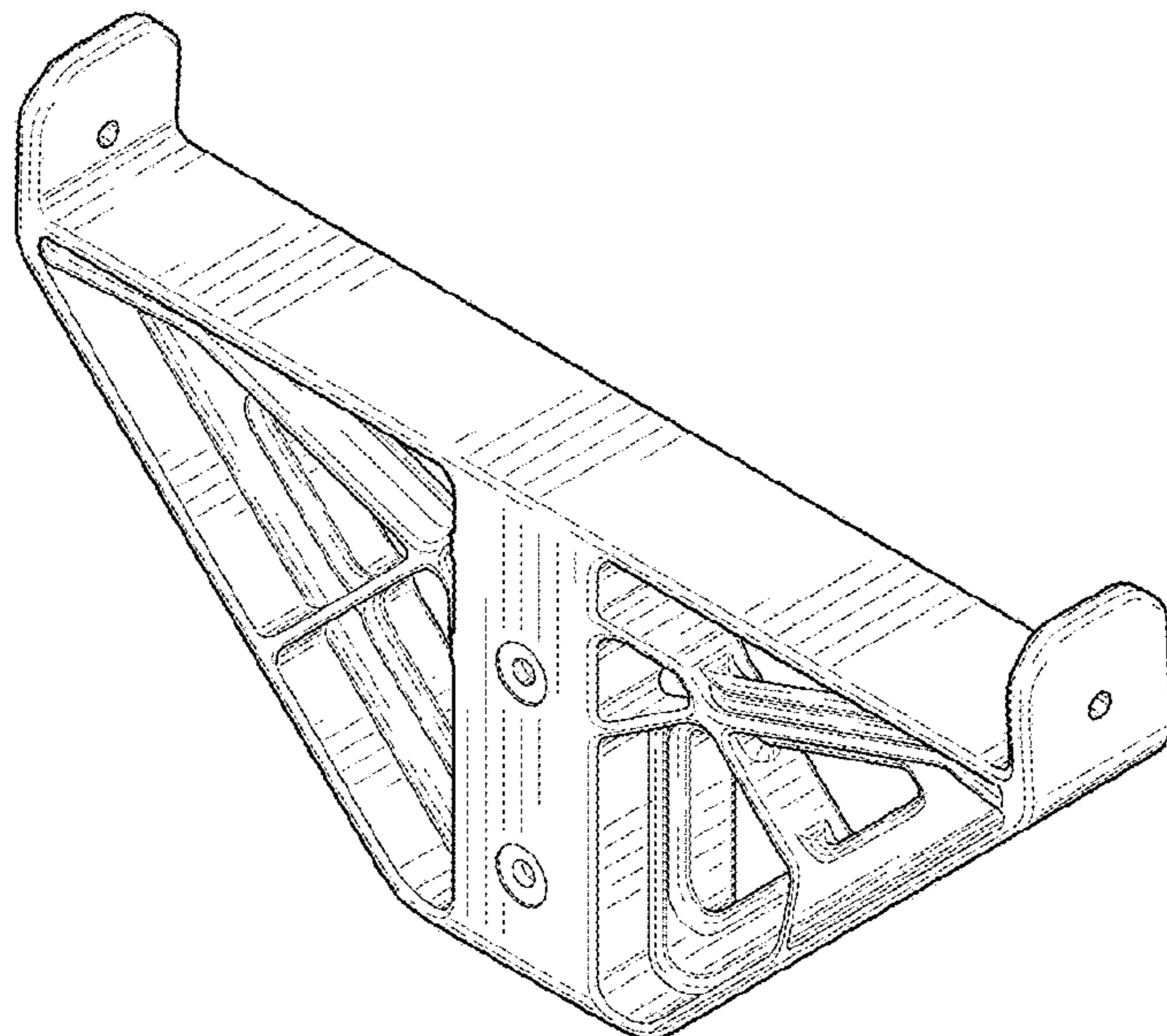
FIG. 1 is an upper perspective view of a component of a tripod stepladder showing my new design.
FIG. 2 is a front view thereof;
FIG. 3 is a rear view thereof;
FIG. 4 is a top view thereof;
FIG. 5 is a bottom view thereof;
FIG. 6 is a side view thereof;
FIG. 7 is an opposite side view thereof; and,
FIG. 8 is a lower perspective view showing the component of a tripod stepladder in use on a tripod ladder.
The broken lines showing a tripod ladder in FIG. 8 are included for the purpose of illustrating environment and form no part of the claimed design.

(56) **References Cited**

U.S. PATENT DOCUMENTS

1,996,761 A * 4/1935 Gould E04G 1/32
182/224
D183,982 S * 11/1958 Thompson D25/68
D310,322 S * 9/1990 Powell D8/356

1 Claim, 3 Drawing Sheets



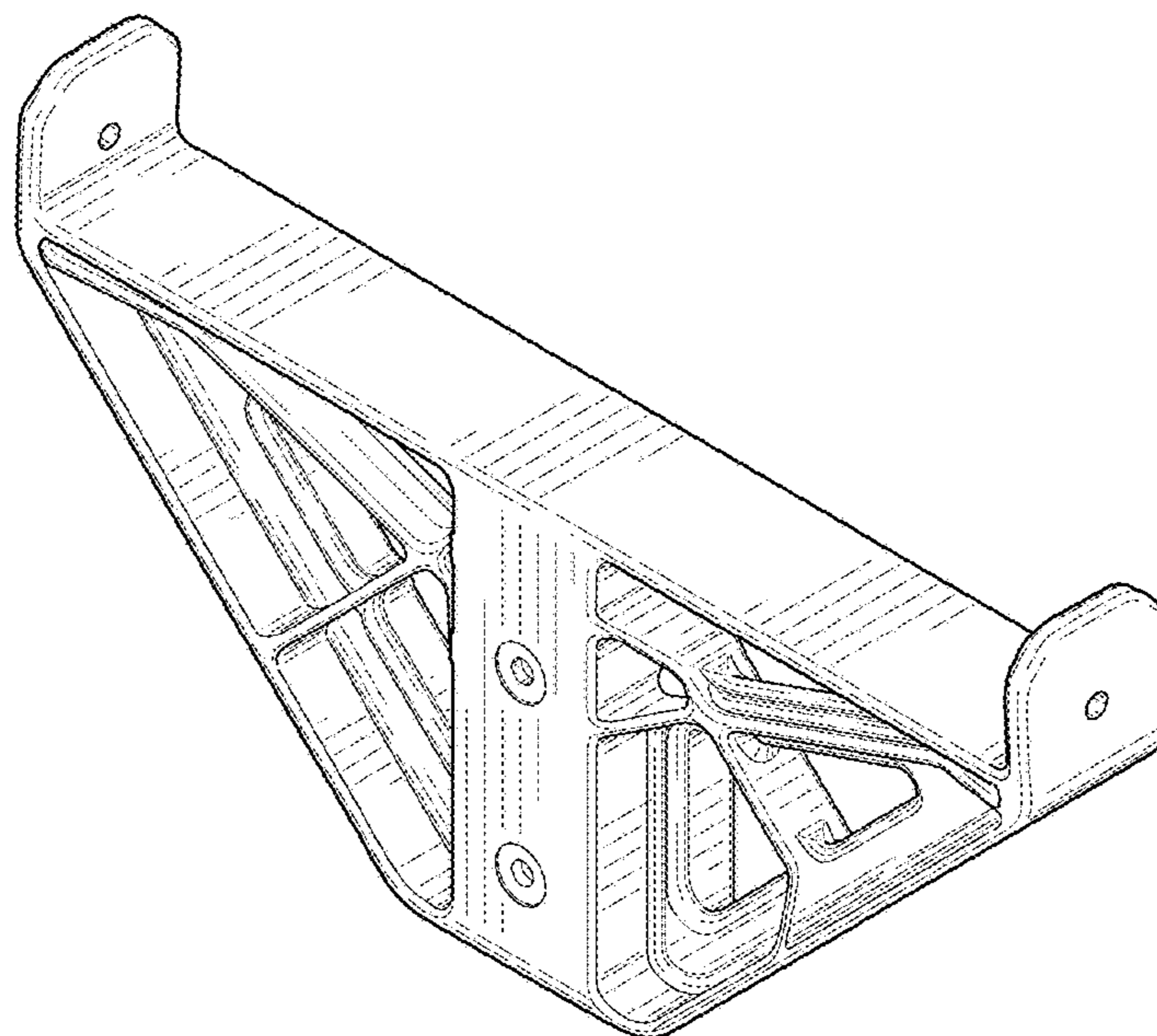


FIG. 1

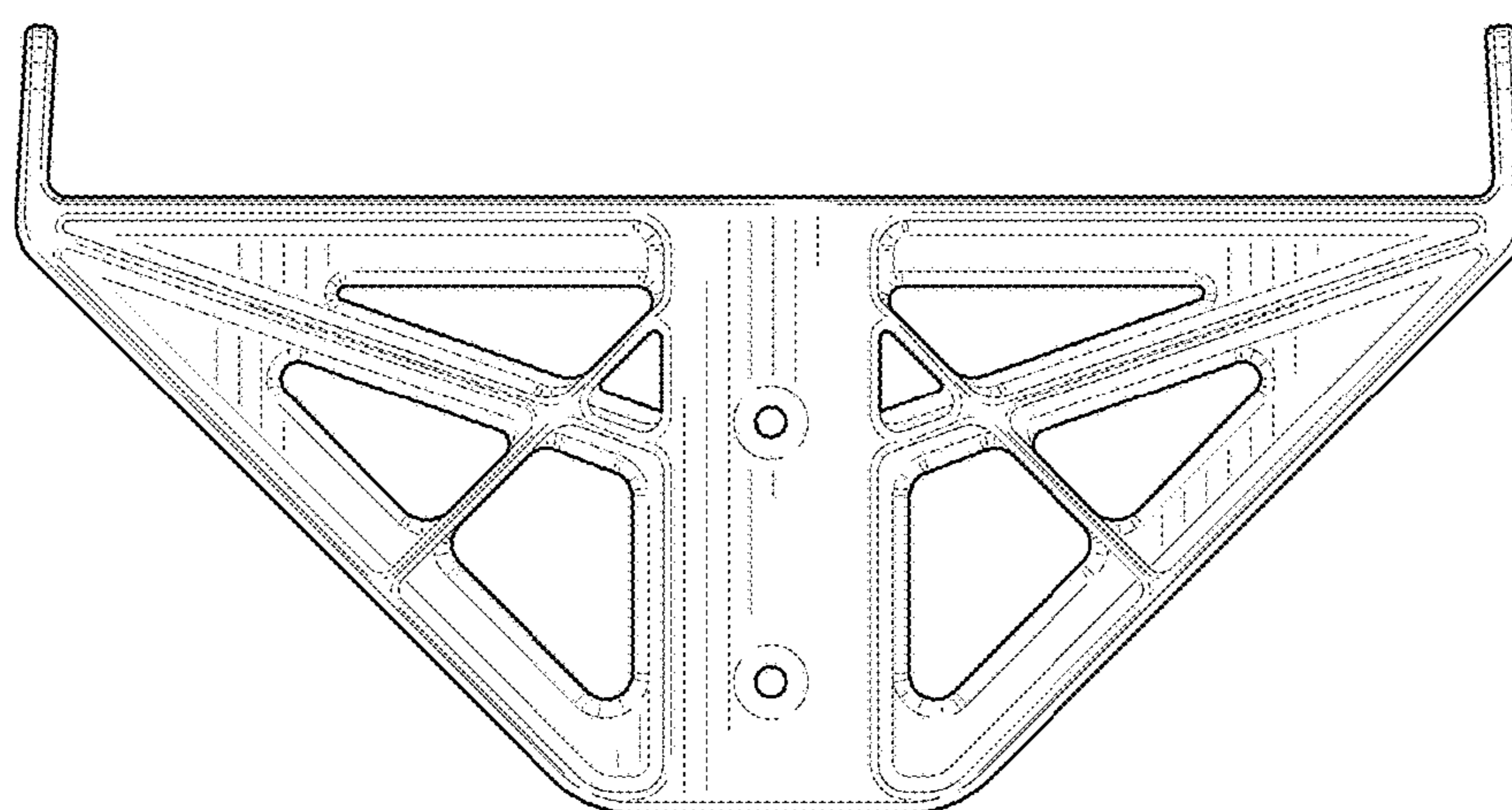


FIG. 2

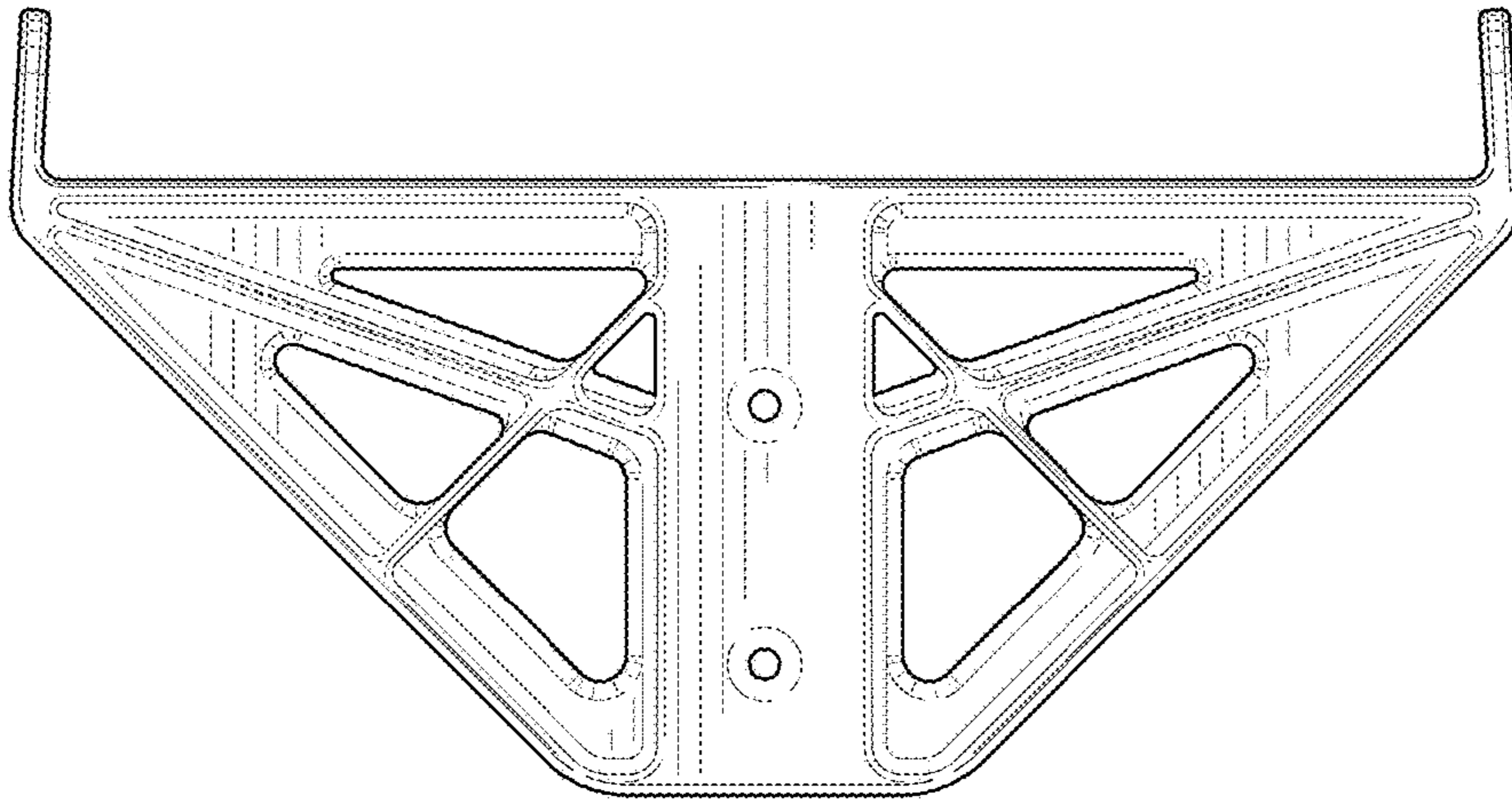


FIG. 3

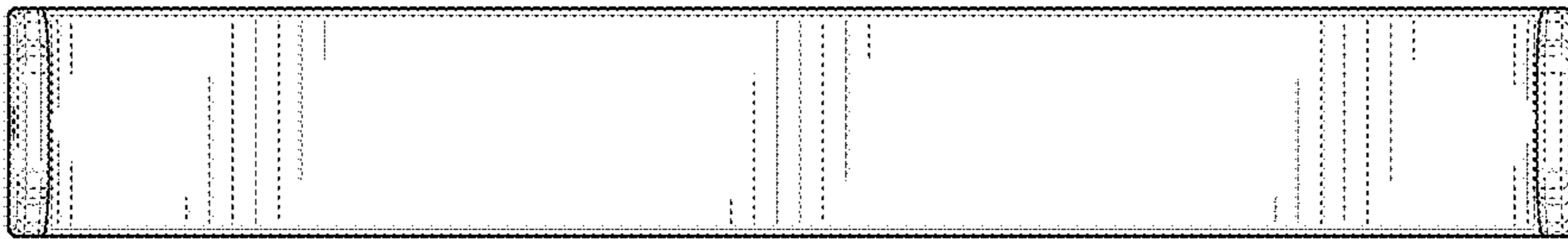


FIG. 4

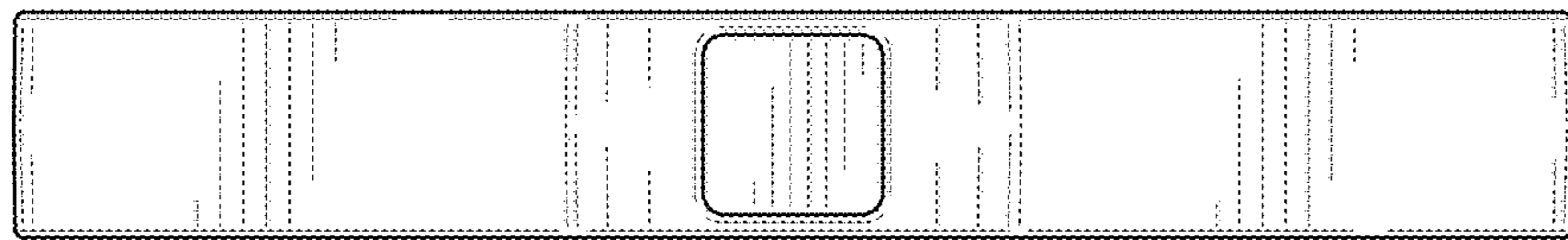


FIG. 5

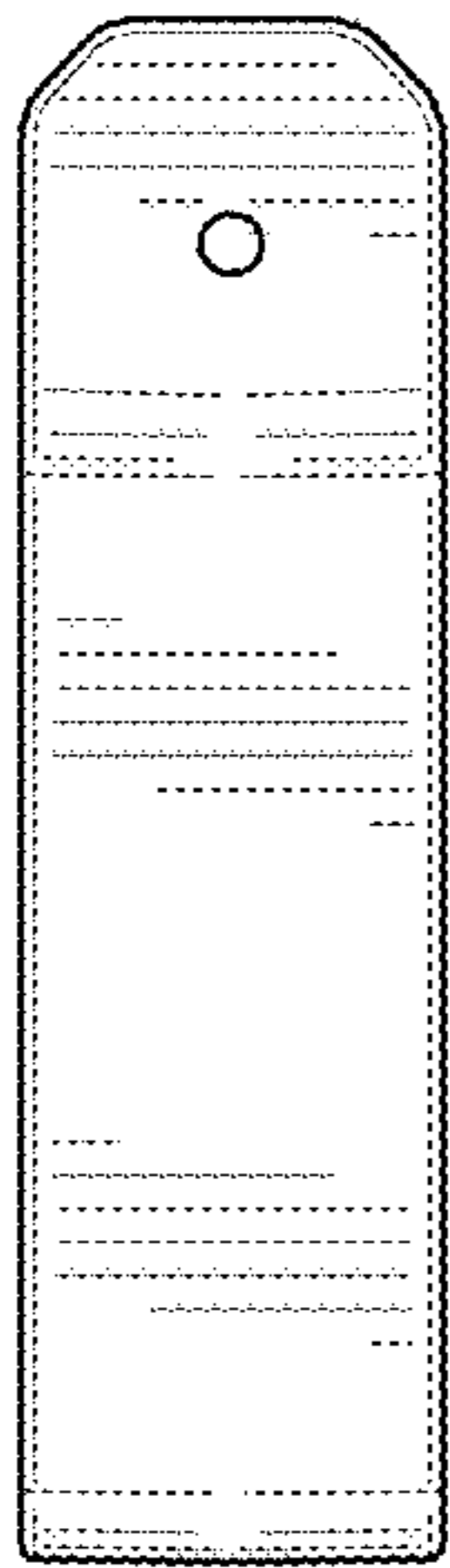


FIG. 6

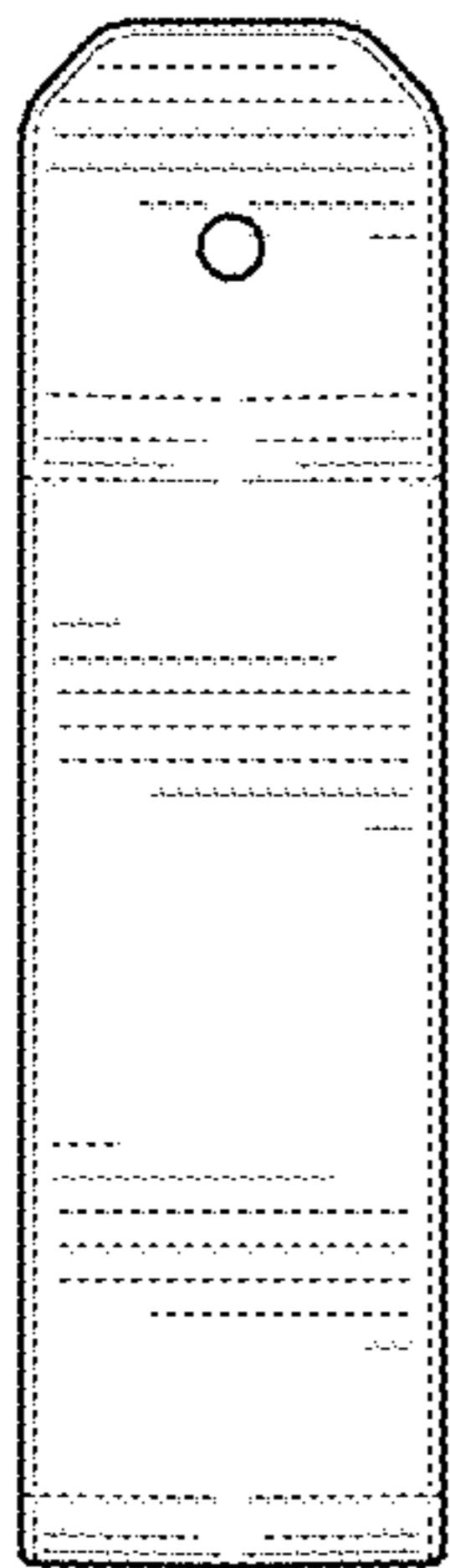


FIG. 7

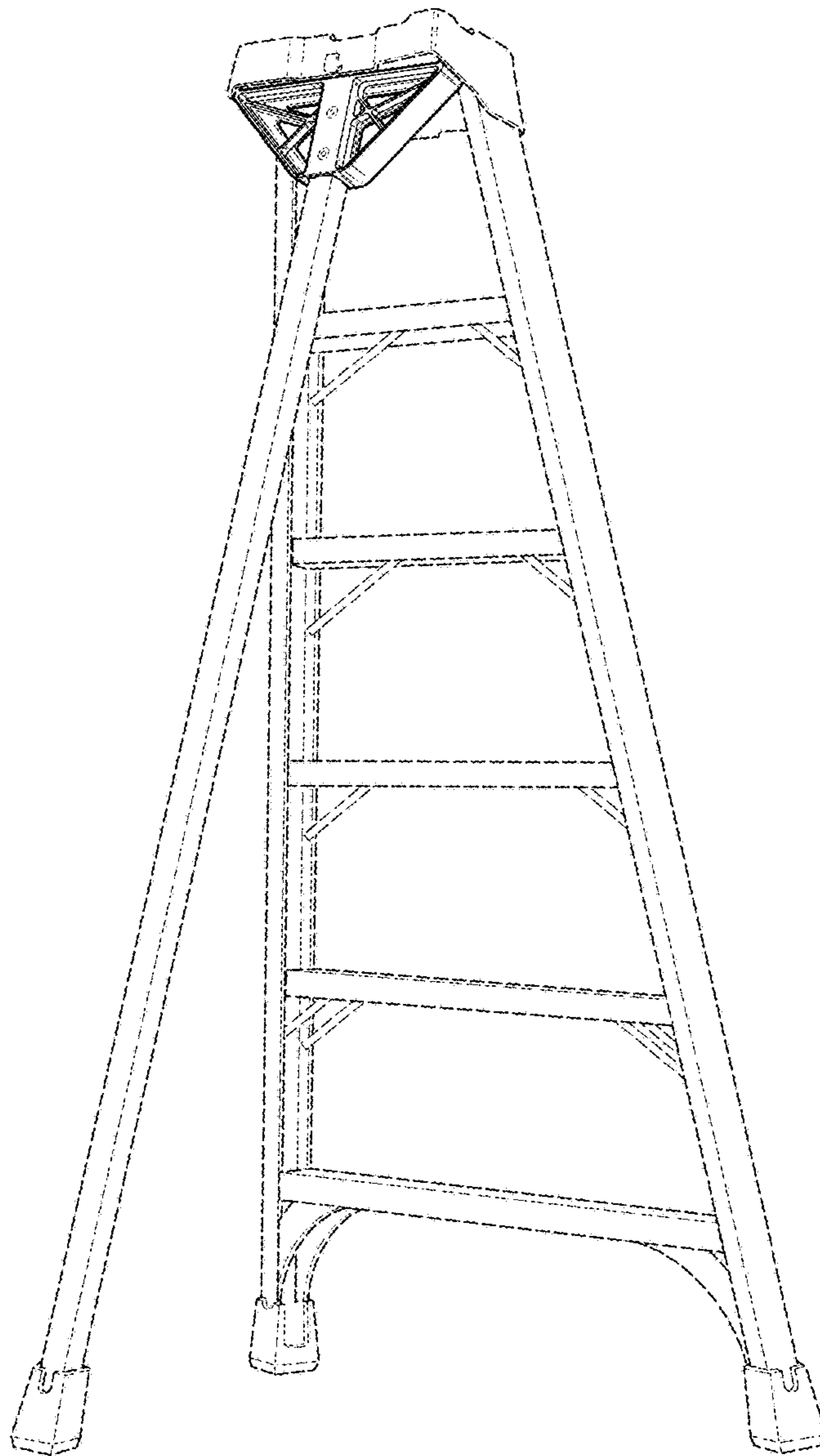


FIG. 8