



US00D872308S

(12) **United States Design Patent**
Hand

(10) **Patent No.:** **US D872,308 S**

(45) **Date of Patent:** **** Jan. 7, 2020**

- (54) **UNITARY TREE LADDER**
- (71) Applicant: **Jon Bradford Hand**, Shreveport, LA (US)
- (72) Inventor: **Jon Bradford Hand**, Shreveport, LA (US)
- (**) Term: **15 Years**
- (21) Appl. No.: **29/659,849**
- (22) Filed: **Aug. 13, 2018**

5,752,580 A	5/1998	Jenkins	
5,816,362 A	10/1998	Jenkins	
6,006,864 A *	12/1999	Musk E06C 1/34 182/187
D420,147 S *	2/2000	Woller, Sr. D25/64
D442,699 S *	5/2001	Myer, III D25/62
6,547,035 B1	4/2003	D'Acquisto	
6,719,093 B2 *	4/2004	Garbs E06C 1/125 182/100
D590,068 S	4/2009	Woller	
D660,981 S *	5/2012	Randall D25/64
8,439,162 B1	5/2013	Galloway	
8,556,035 B1	10/2013	Kendall	
D710,030 S *	7/2014	Fitzgerald D25/64
D759,841 S *	6/2016	Badillo D25/64
2004/0216952 A1	11/2004	Woller	

Related U.S. Application Data

- (63) Continuation-in-part of application No. 15/147,550, filed on May 5, 2016, now abandoned.
- (51) **LOC (12) Cl.** **25-04**
- (52) **U.S. Cl.**
USPC **D25/64**
- (58) **Field of Classification Search**
USPC D25/62, 64, 63, 69, 68; 182/93, 100,
182/156, 187, 189, 92, 133, 178.1, 116,
182/151
CPC ... E06C 1/34; E06C 1/381; E06C 1/39; E06C
1/125
See application file for complete search history.

* cited by examiner

Primary Examiner — Gino Colan

(74) *Attorney, Agent, or Firm* — Warner J. Delaune;
Baker Donelson, et al.

(57) **CLAIM**

The ornamental design for a unitary tree ladder, as shown and described.

DESCRIPTION

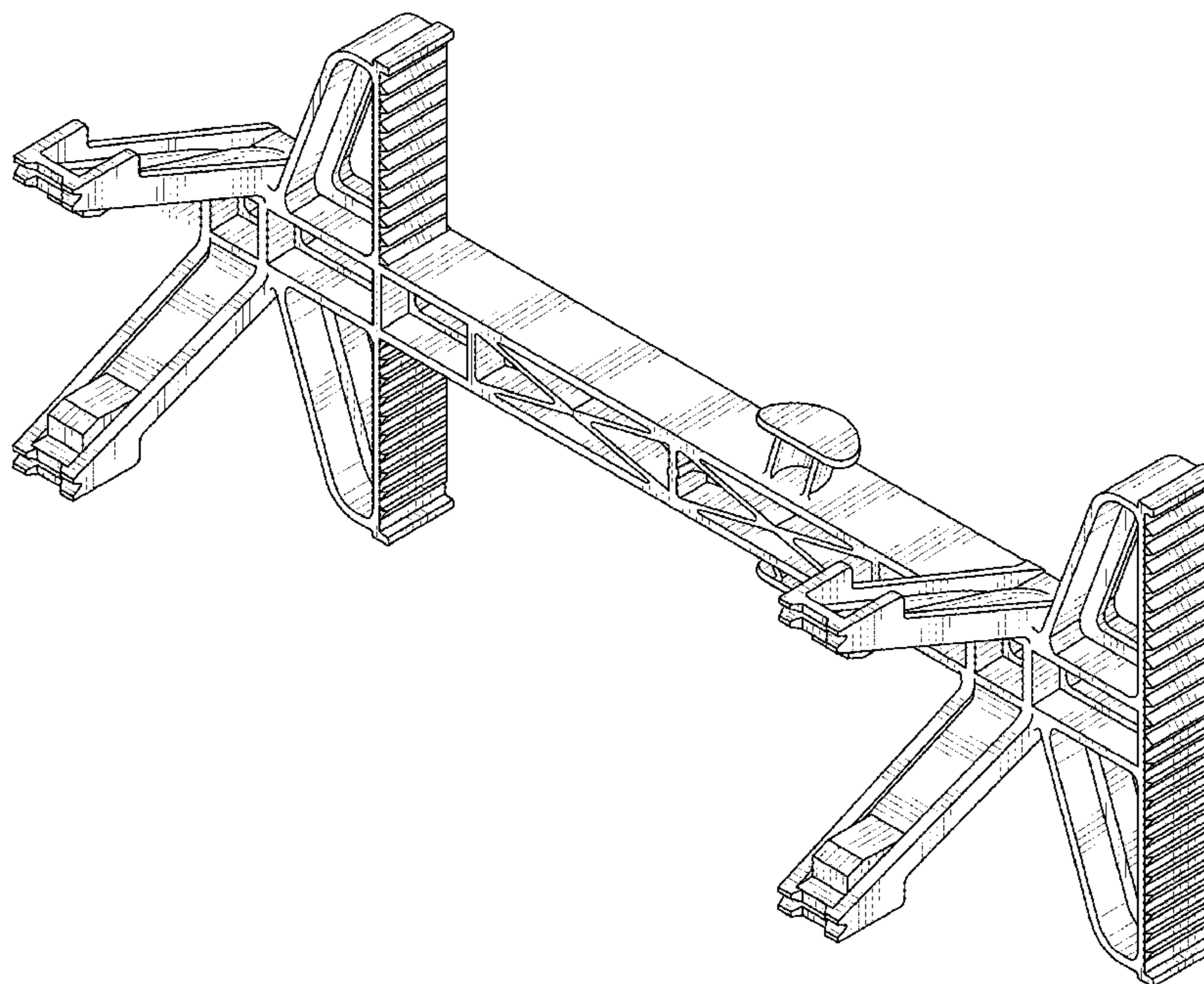
FIG. 1 is a front perspective view of a unitary tree ladder showing my new design.
 FIG. 2 is a front elevation view thereof;
 FIG. 3 is a rear elevation view thereof;
 FIG. 4 is a top plan view thereof;
 FIG. 5 is a bottom plan view thereof;
 FIG. 6 is a left side elevation view thereof; and,
 FIG. 7 is a right side elevation view thereof.

1 Claim, 7 Drawing Sheets

(56) **References Cited**

U.S. PATENT DOCUMENTS

3,995,714 A	12/1976	Brookes	
5,439,072 A	8/1995	Jenkins	
5,655,623 A *	8/1997	Skyba E06C 1/381 182/100



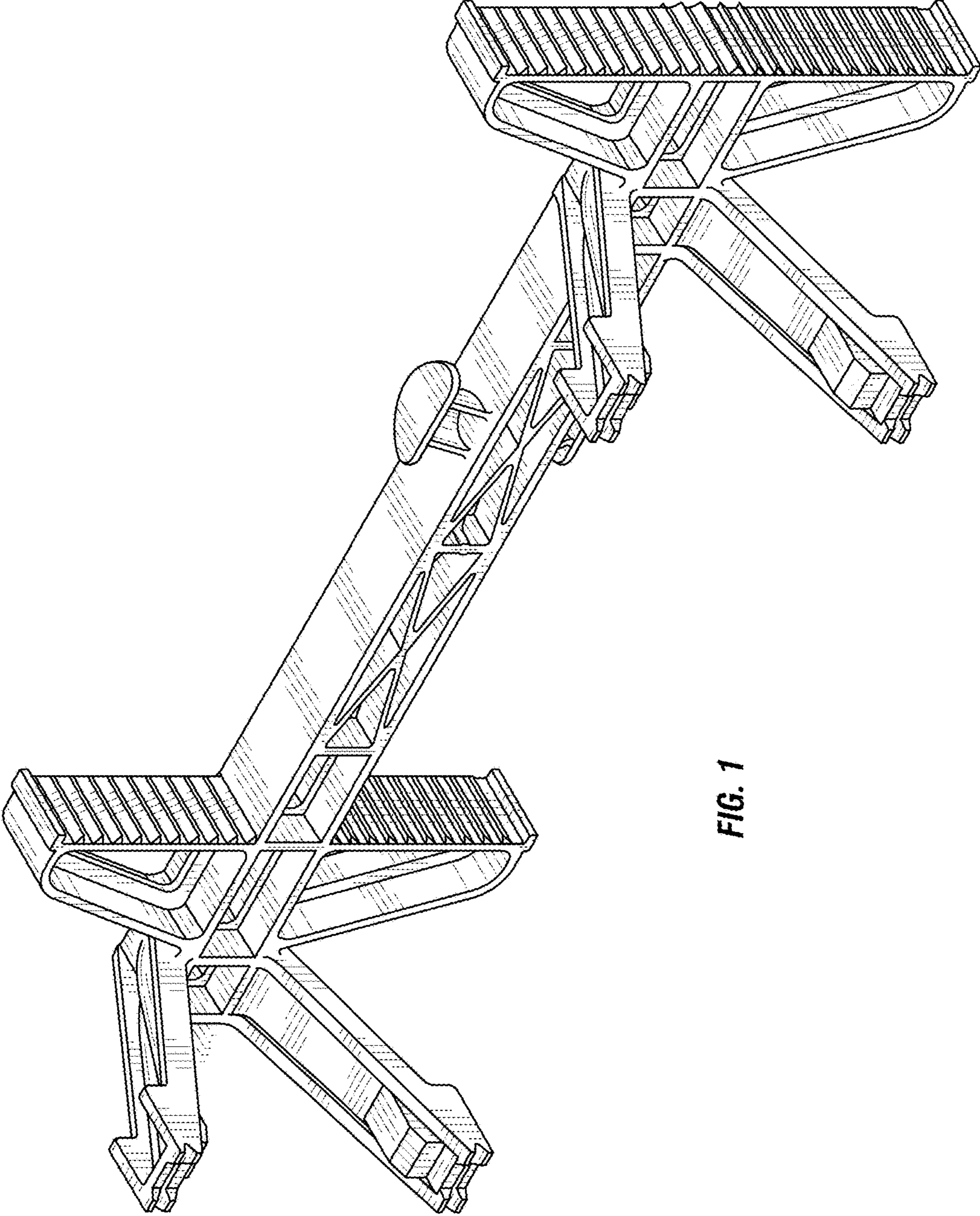


FIG. 1

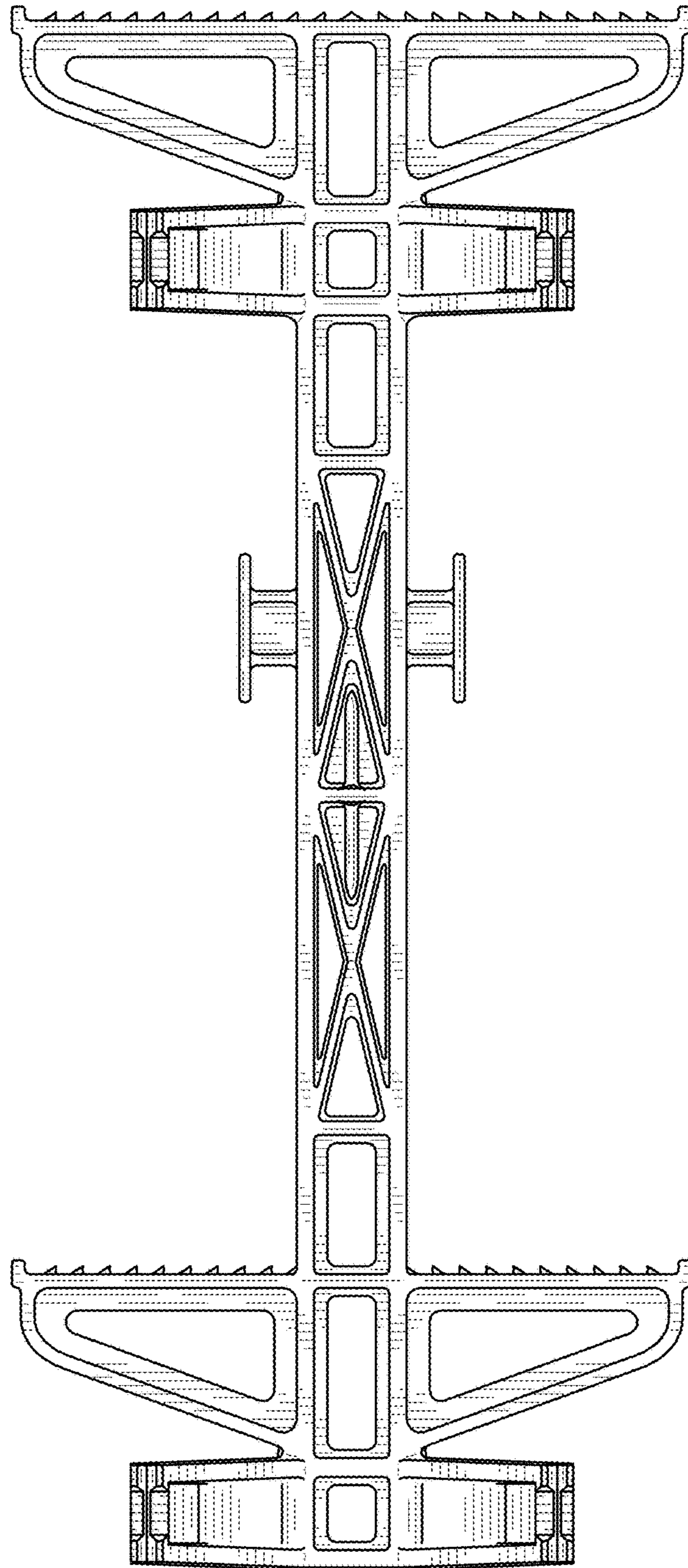


FIG. 2

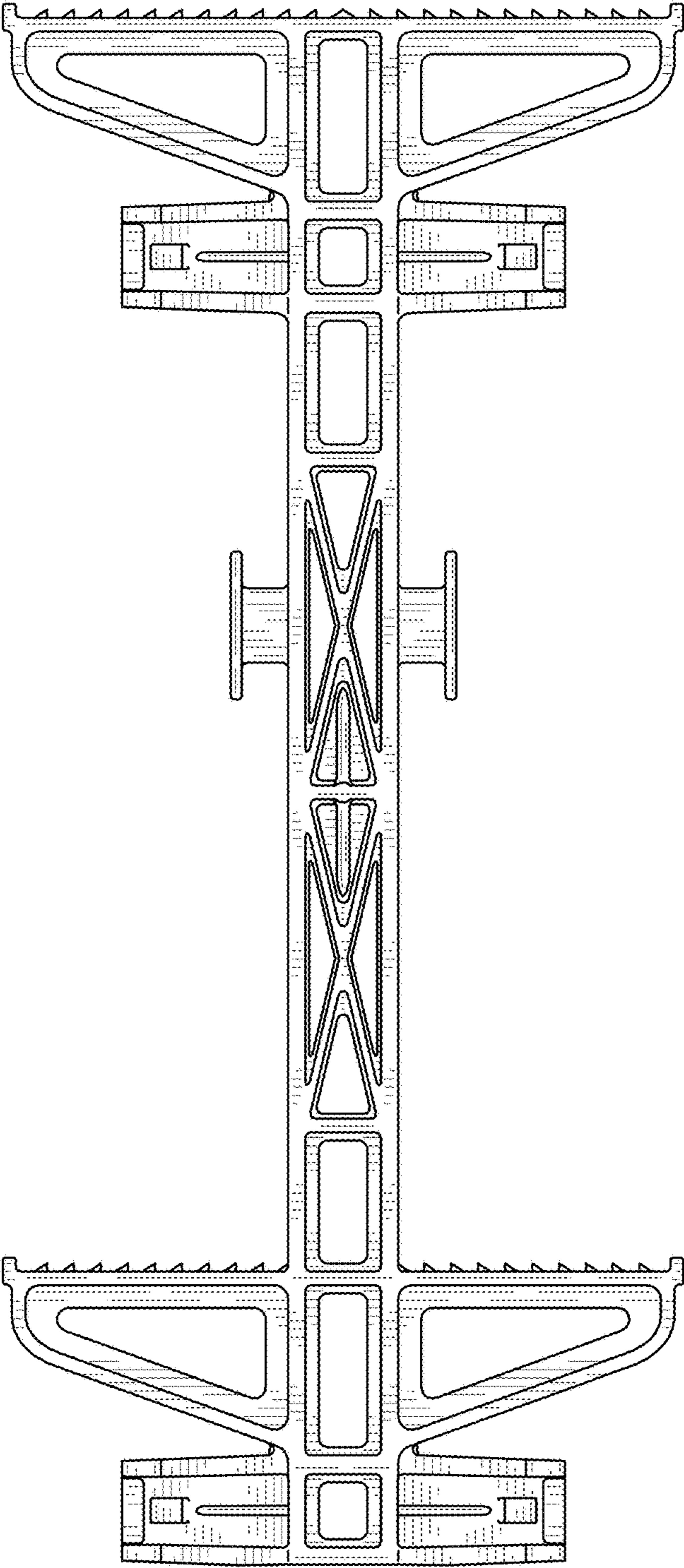


FIG. 3

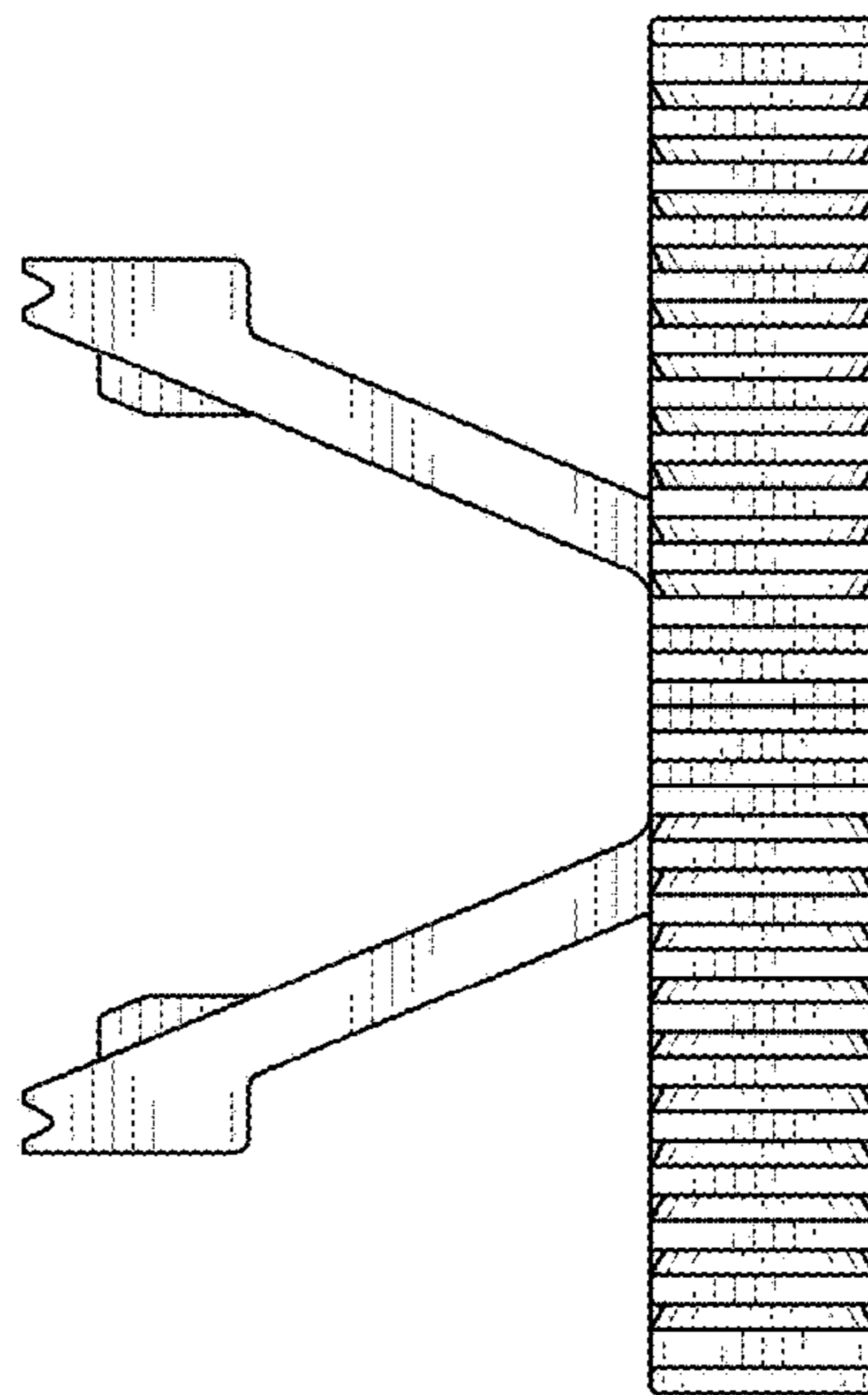


FIG. 4

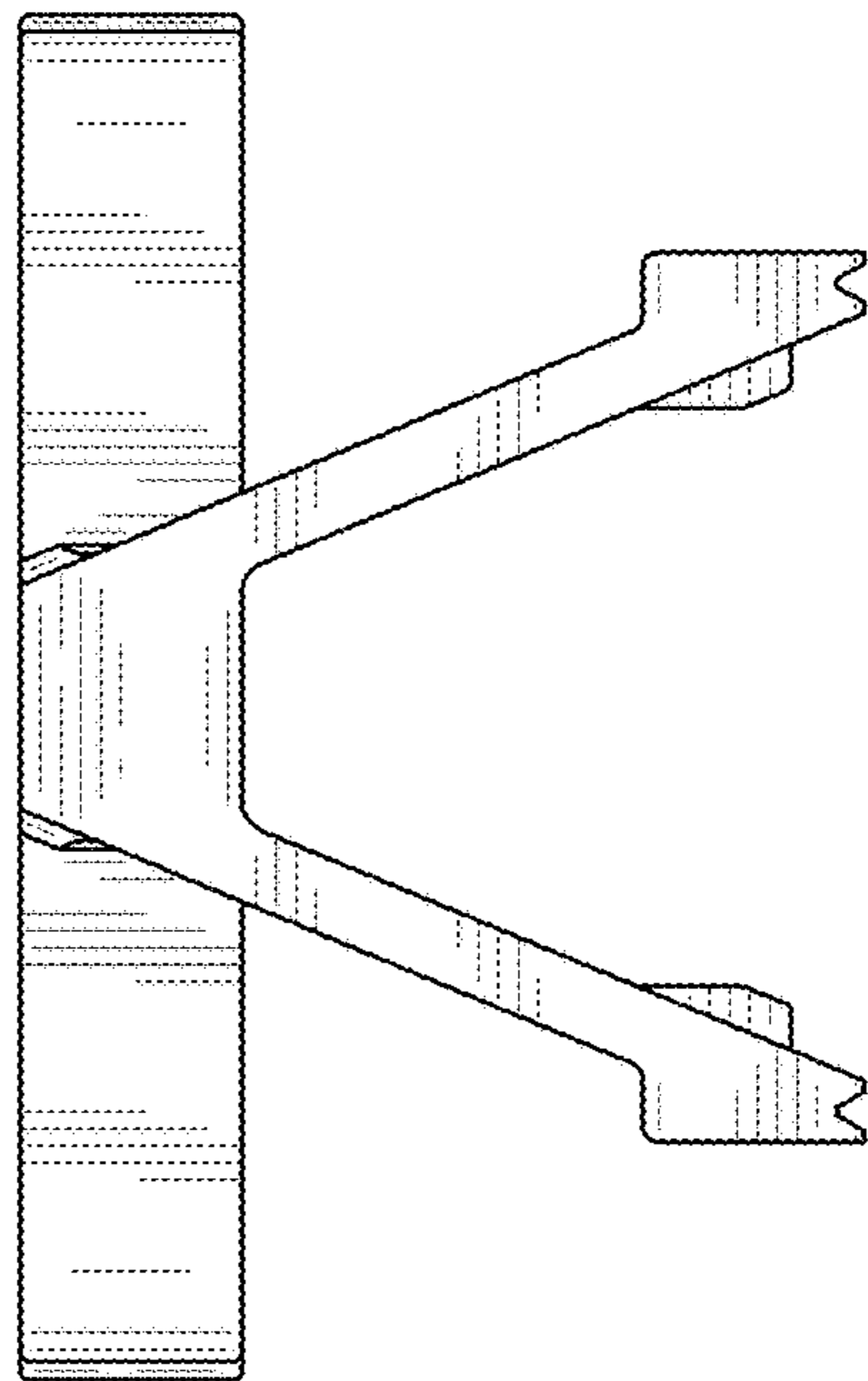


FIG. 5

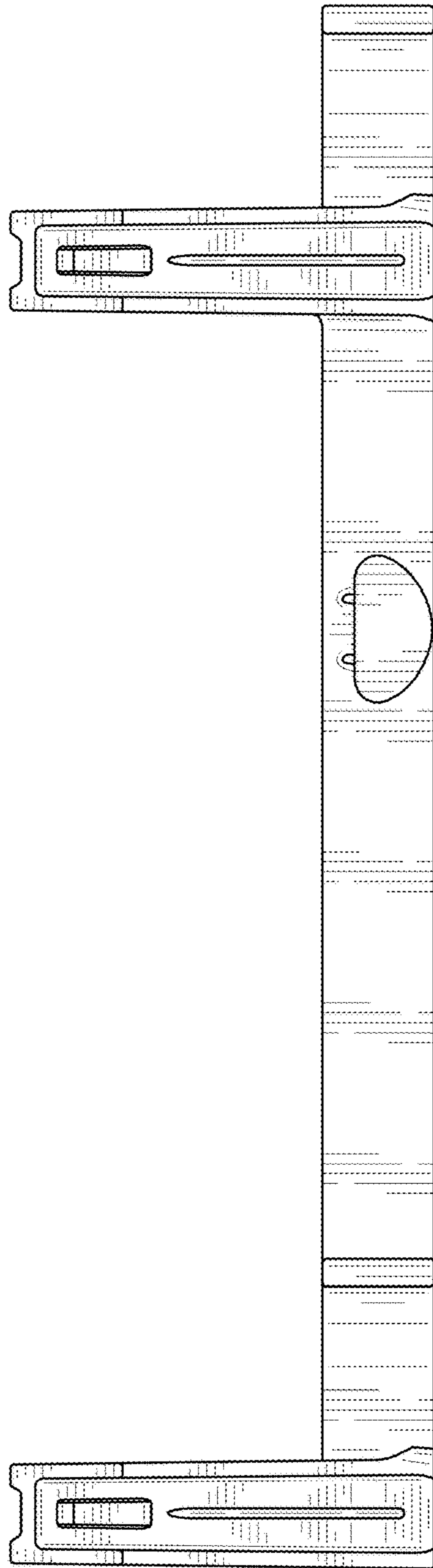


FIG. 6

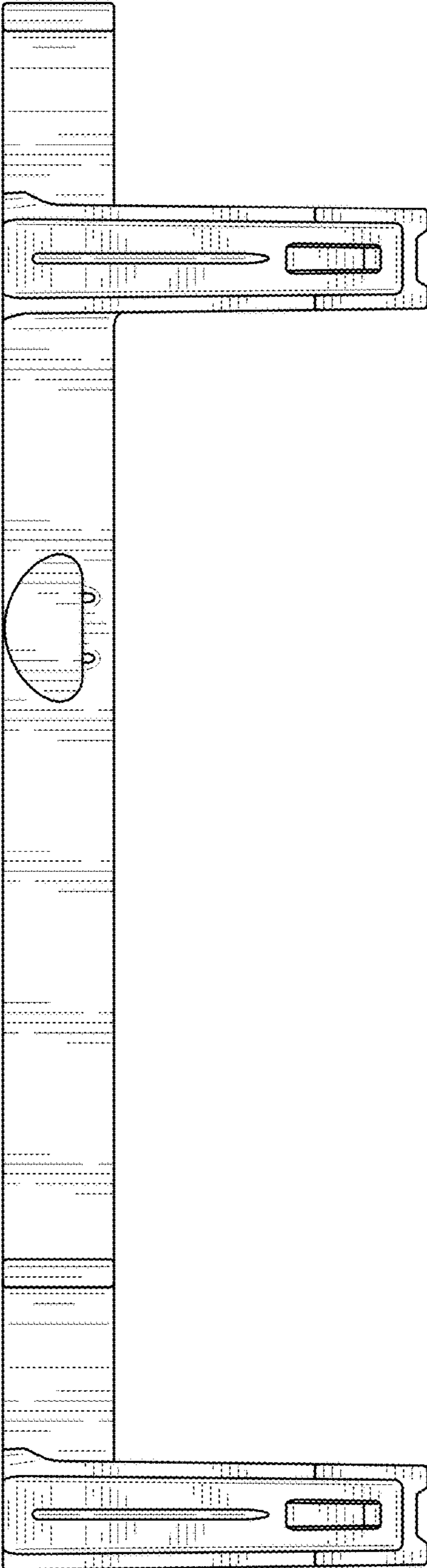


FIG. 7