



US00D872307S

(12) **United States Design Patent**
Howell, Jr.

(10) **Patent No.:** **US D872,307 S**
(45) **Date of Patent:** **** Jan. 7, 2020**

(54) **HUNTING STAND WITH GAME FEEDER HANGER**

(71) Applicant: **Kenneth Howell, Jr.**, Des Allemands, LA (US)

(72) Inventor: **Kenneth Howell, Jr.**, Des Allemands, LA (US)

(**) Term: **15 Years**

(21) Appl. No.: **29/621,463**

(22) Filed: **Oct. 9, 2017**

6,386,321	B1 *	5/2002	Muhich	A01M 31/02
				182/135
6,722,472	B2 *	4/2004	Berkbuegler	A01M 31/02
				108/152
D725,292	S *	3/2015	Wheelington	D25/62
9,089,125	B1 *	7/2015	Fast	E04G 3/24
2003/0132060	A1 *	7/2003	Goodwin, Jr.	A01M 31/02
				182/136
2004/0108165	A1 *	6/2004	Poole	A01M 31/02
				182/136
2007/0000726	A1 *	1/2007	Berkbuegler	A01M 31/02
				182/187
2010/0300808	A1 *	12/2010	Hale	A01M 31/02
				182/187
2016/0338341	A1 *	11/2016	Thevenet	A01M 31/02

* cited by examiner

Related U.S. Application Data

(63) Continuation-in-part of application No. 29/621,462, filed on Oct. 9, 2017, now Pat. No. Des. 851,206, and a continuation-in-part of application No. 15/727,701, filed on Oct. 19, 2017, which is a continuation-in-part of application No. 15/727,701.

(51) **LOC (12) Cl.** **25-04**

(52) **U.S. Cl.**
USPC **D25/62**

(58) **Field of Classification Search**
USPC D25/62; 108/152; 182/116, 115, 141, 182/187, 206, 152, 188, 133-136; 135/90, 901
CPC .. A01M 31/02; A01M 31/025; A01M 31/006; E06C 7/16
See application file for complete search history.

(56) **References Cited**

U.S. PATENT DOCUMENTS

D373,427	S *	9/1996	Russom	D25/62
D444,573	S *	7/2001	Owens	D25/62

Primary Examiner — Gino Colan

(74) *Attorney, Agent, or Firm* — Norton IP Law Firm; Taylor M. Norton

(57) **CLAIM**

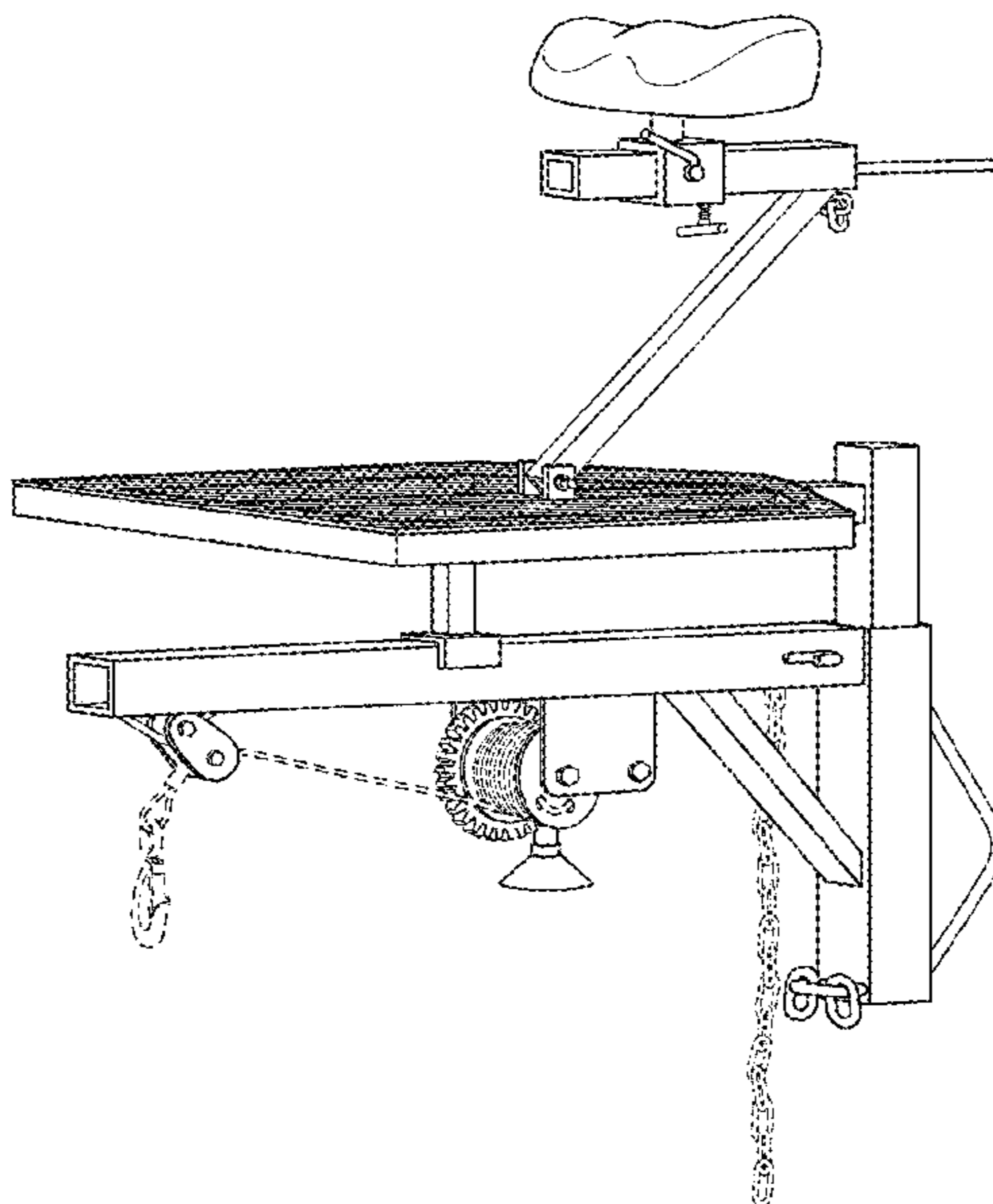
The ornamental design for a hunting stand with game feeder hanger, as shown and described.

DESCRIPTION

FIG. 1 is a front right perspective view of a hunting stand with game feeder hanger showing my new design; FIG. 2 is a front side elevation view thereof; FIG. 3 is a back side elevation view thereof; FIG. 4 is a left side elevation view thereof; FIG. 5 is a right side elevation view thereof; FIG. 6 is a top view thereof; and, FIG. 7 is a bottom view thereof.

The broken lines shown in the figures are for the purpose of illustrating portions of the hunting stand with game feeder hanger and form no part of the claimed design.

1 Claim, 7 Drawing Sheets



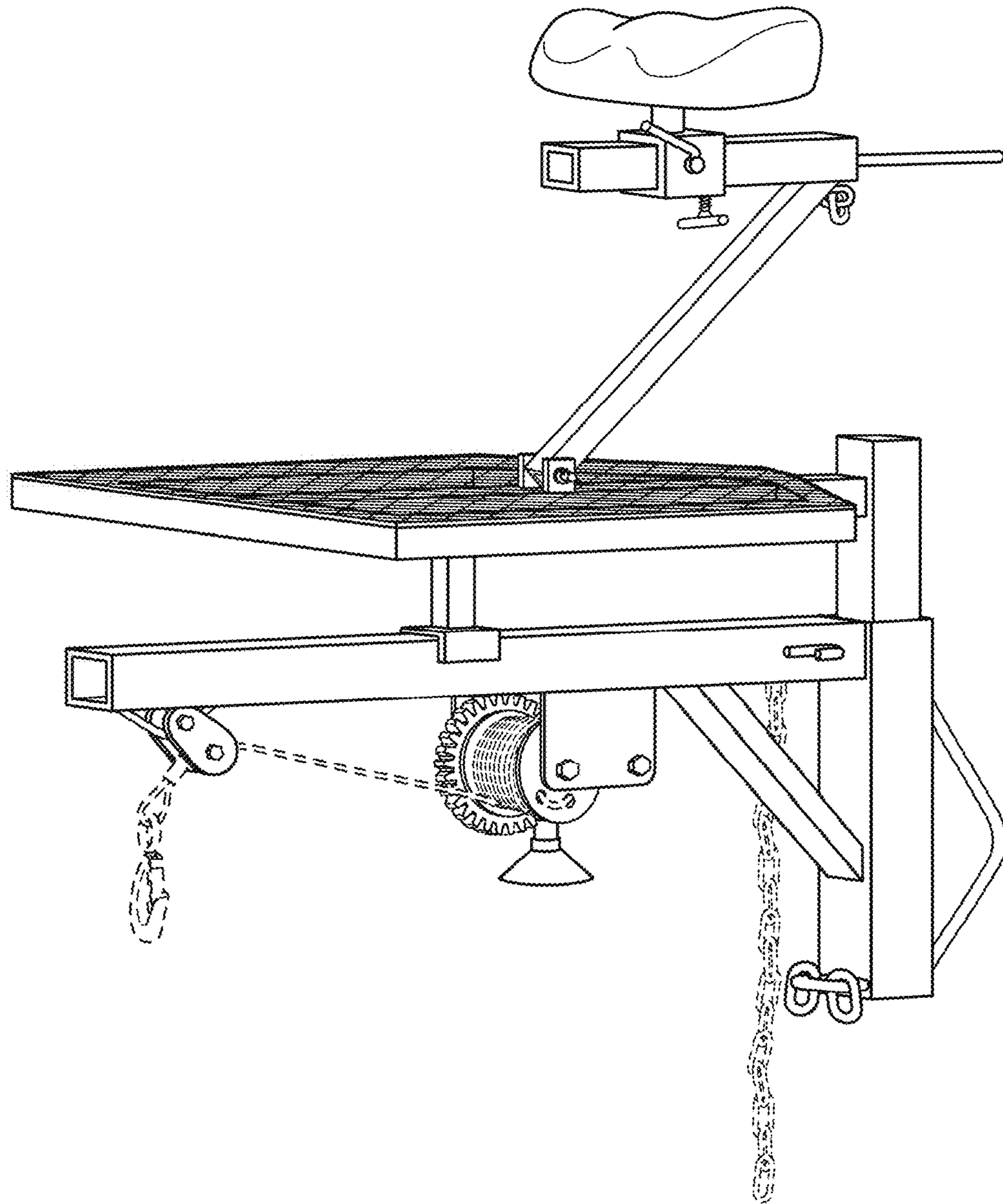


FIG. 1

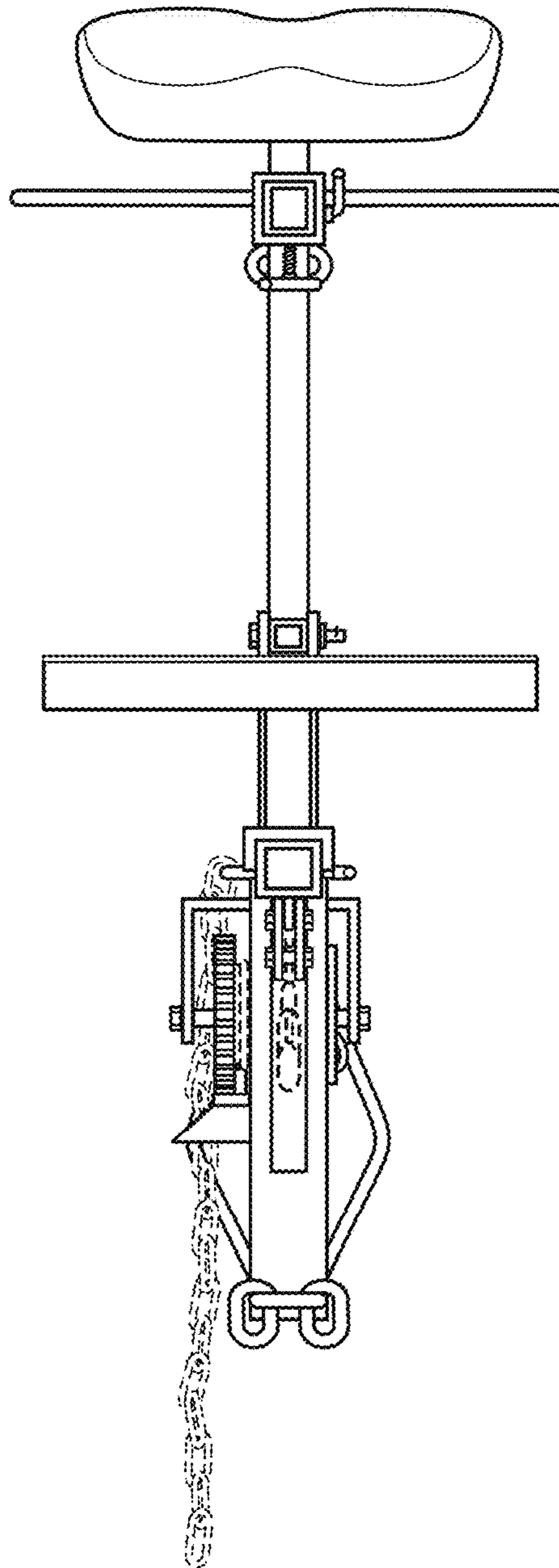


FIG. 2

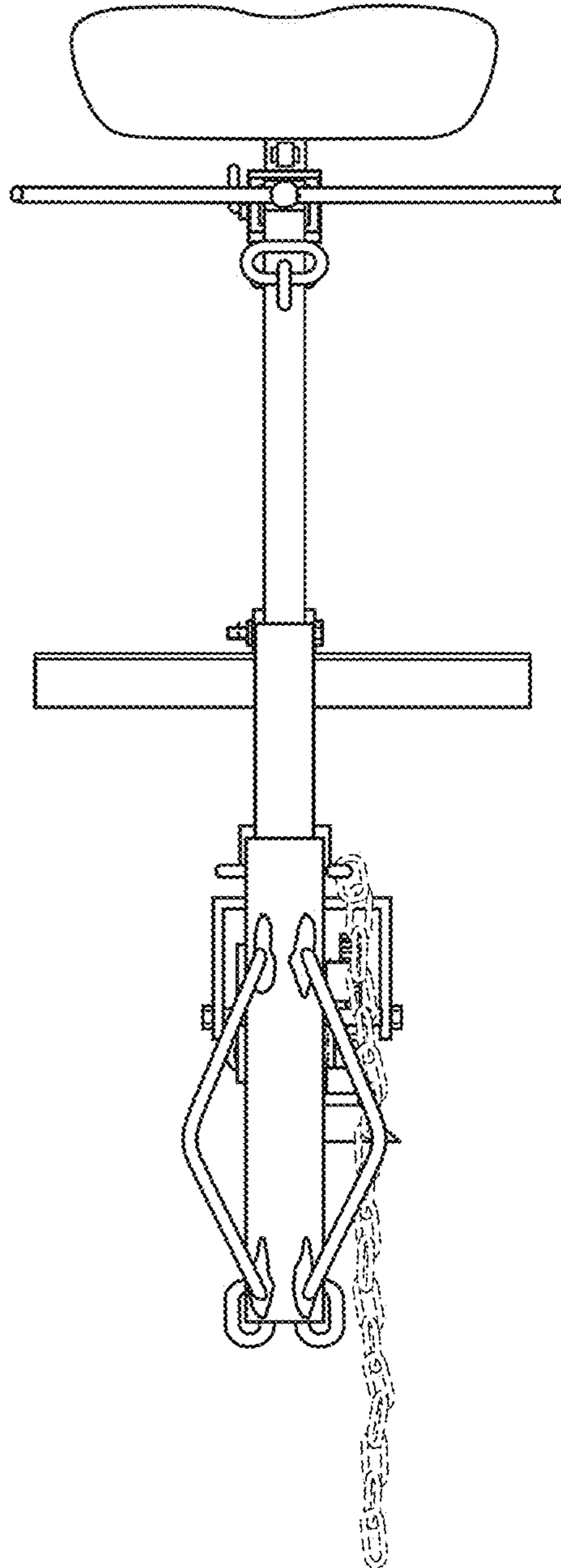


FIG. 3

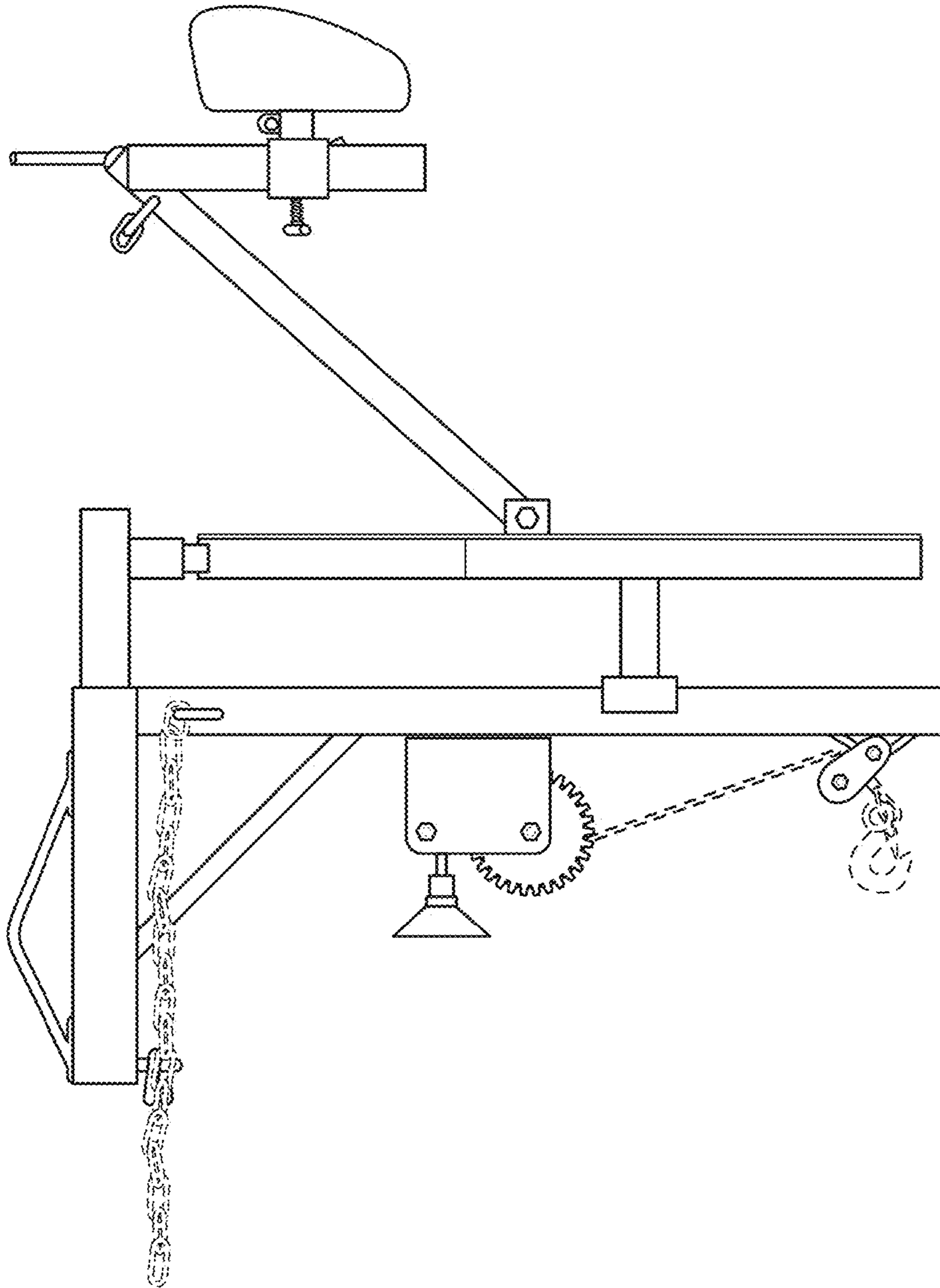


FIG. 4

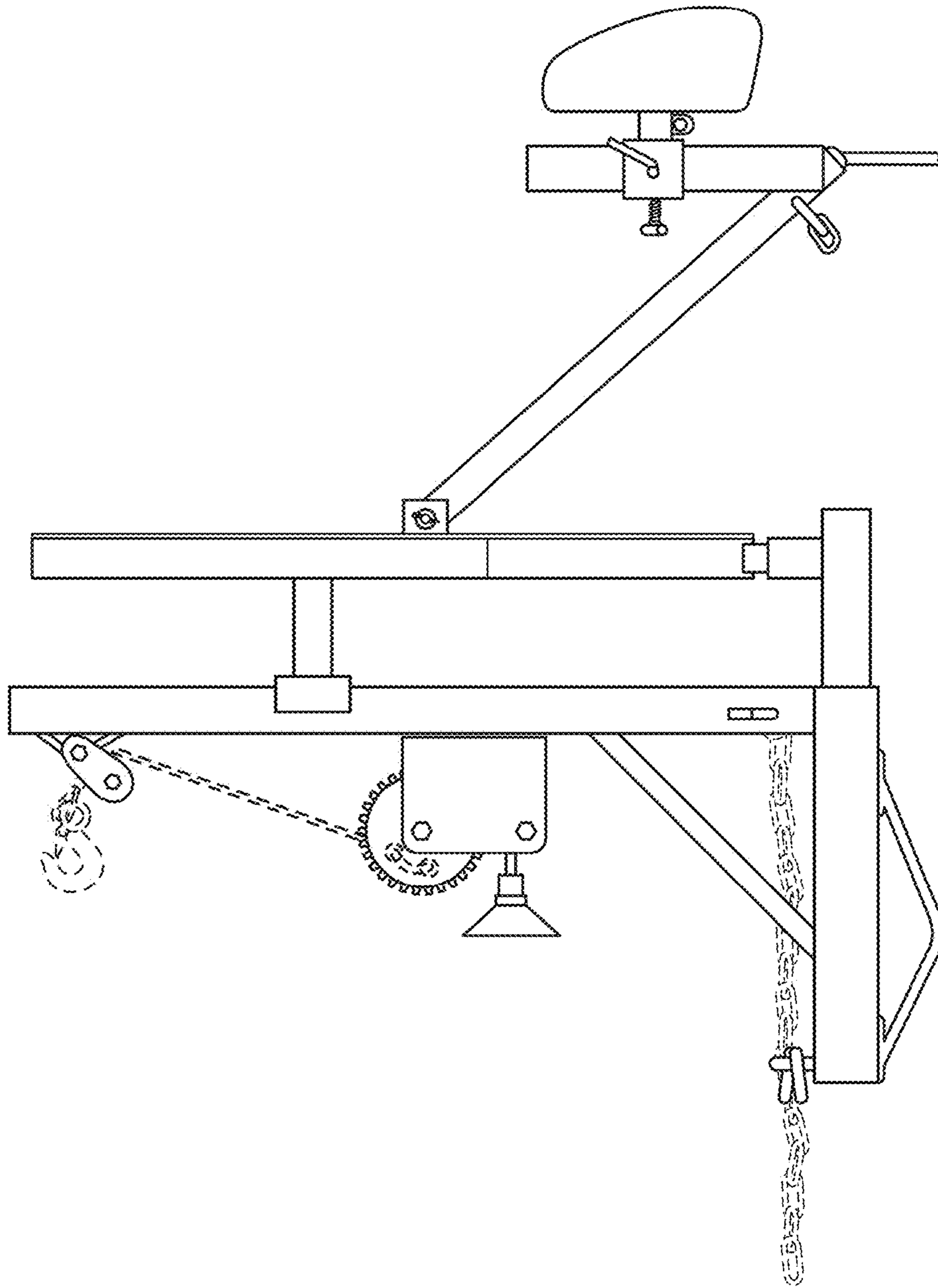


FIG. 5

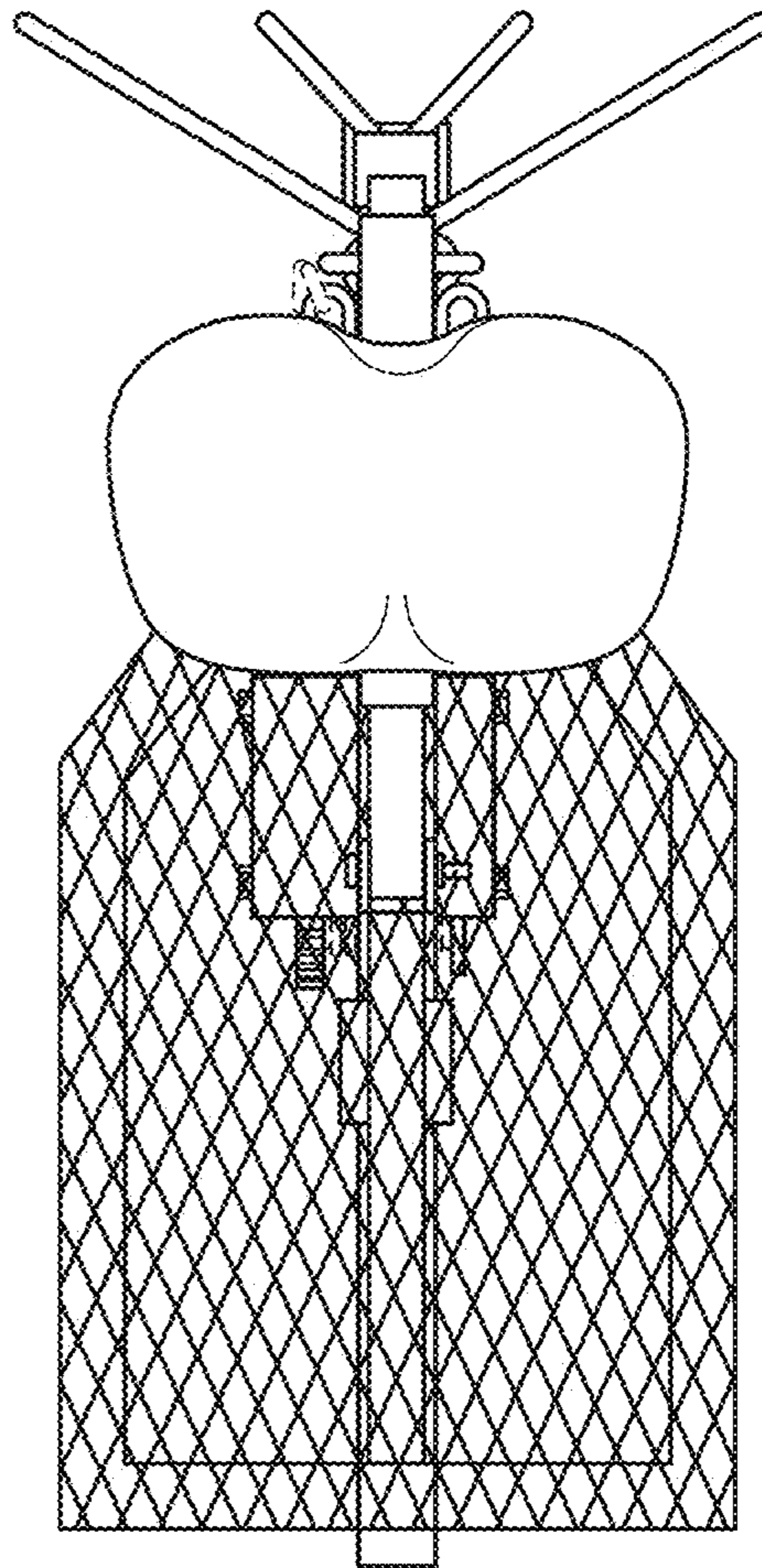


FIG. 6

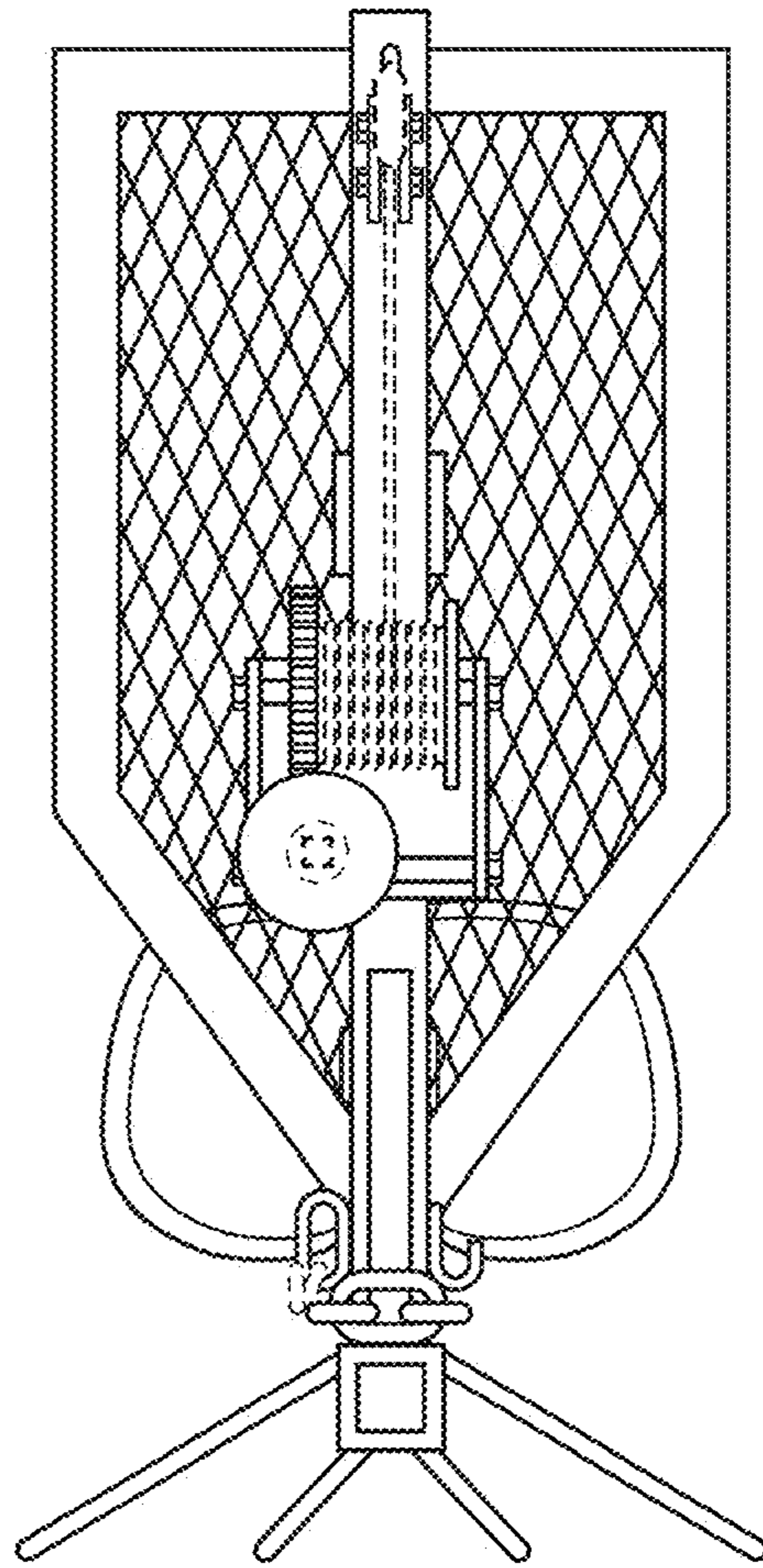


FIG. 7