



US00D872301S

(12) **United States Design Patent**
Tanner

(10) **Patent No.:** **US D872,301 S**

(45) **Date of Patent:** **** Jan. 7, 2020**

(54) **SOUND MACHINE FOR SLEEP THERAPY**

7,464,786 B2 * 12/2008 Falco A61F 11/08
181/135

(71) Applicant: **BEAR DOWN CONSULTING, A CALIFORNIA CORPORATION,**
Santa Ana, CA (US)

D599,485 S * 9/2009 Burrows D24/209
D611,926 S * 3/2010 Lev D14/168
D651,618 S * 1/2012 Barley D14/496
D731,465 S * 6/2015 Khubani D14/216

(72) Inventor: **Dayne Tanner,** Concord, CA (US)

(Continued)

(73) Assignee: **BEAR DOWN BRANDS, LLC,** Santa Ana, CA (US)

Primary Examiner — Rhea Shields

(74) *Attorney, Agent, or Firm* — Polsinelli PC

(**) Term: **15 Years**

(57) **CLAIM**

The ornamental design for a sound machine for sleep therapy, as shown and described.

(21) Appl. No.: **29/691,006**

(22) Filed: **May 13, 2019**

DESCRIPTION

Related U.S. Application Data

(62) Division of application No. 29/616,947, filed on Sep. 11, 2017, now Pat. No. Des. 857,916.

FIG. 1 is a front perspective view of a sound machine for sleep therapy according to an embodiment of the invention shown;

(51) **LOC (12) Cl.** **24-99**

(52) **U.S. Cl.**
USPC **D24/231**

FIG. 2 is a rear perspective view of the sound machine for sleep therapy of FIG. 1;

(58) **Field of Classification Search**
USPC D24/231, 188, 209; D14/496, 215, 216,
D14/168, 207
CPC A61F 11/08; A61M 21/00
See application file for complete search history.

FIG. 3 is a front perspective view of the sound machine for sleep therapy of FIG. 1;

(56) **References Cited**

U.S. PATENT DOCUMENTS

- 2,644,153 A * 6/1953 Beazley A61M 21/00
340/384.72
- 3,121,220 A * 2/1964 Buckwalter A61M 21/00
340/404.2
- D248,669 S * 7/1978 Ramsey D24/188
- D310,372 S * 9/1990 Kimbrough D24/231
- D311,065 S * 10/1990 Theisen D24/231
- D381,019 S * 7/1997 Muller D24/231
- D396,855 S * 8/1998 Barbeau D24/231
- D399,320 S * 10/1998 Barbeau D24/231

FIG. 4 is a rear perspective view of the sound machine for sleep therapy of FIG. 1;

FIG. 5 is a right side elevation view of the sound machine for sleep therapy of FIG. 1;

FIG. 6 is a left side elevation view of the sound machine for sleep therapy of FIG. 1;

FIG. 7 is a top plan view of the sound machine for sleep therapy of FIG. 1;

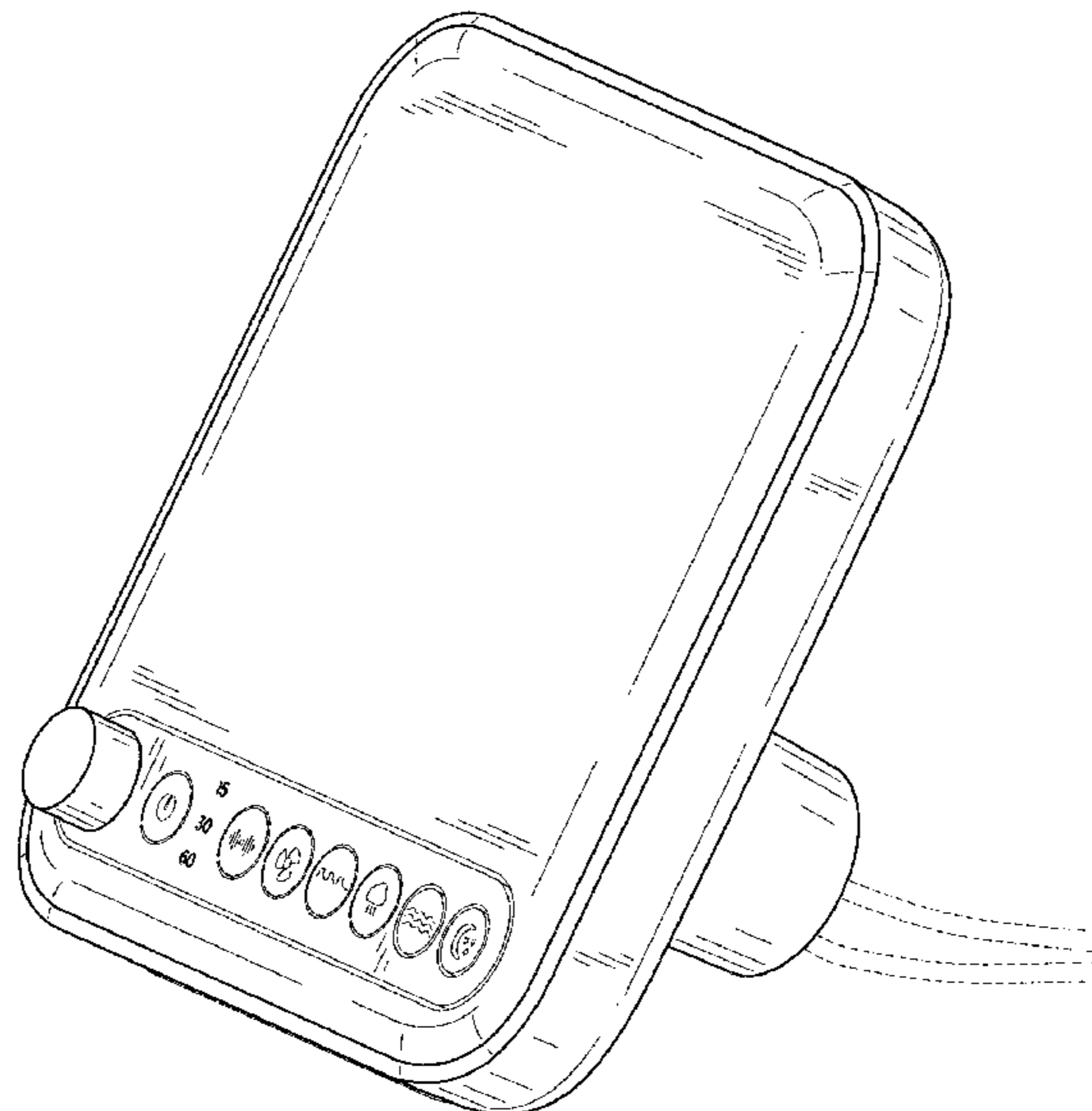
FIG. 8 is a bottom plan view of the sound machine for sleep therapy of FIG. 1;

FIG. 9 is a front elevation view of the sound machine for sleep therapy of FIG. 1; and,

FIG. 10 is a rear elevation view of the sound machine for sleep therapy of FIG. 1.

In FIG. 1, the broken lines are for the purpose of illustrating environment only and form no part of the claimed design.

1 Claim, 8 Drawing Sheets



(56)

References Cited

U.S. PATENT DOCUMENTS

D751,531 S * 3/2016 Bearsch D14/207
D766,456 S * 9/2016 Luc D24/231
D847,373 S * 4/2019 Hurwit D24/231

* cited by examiner

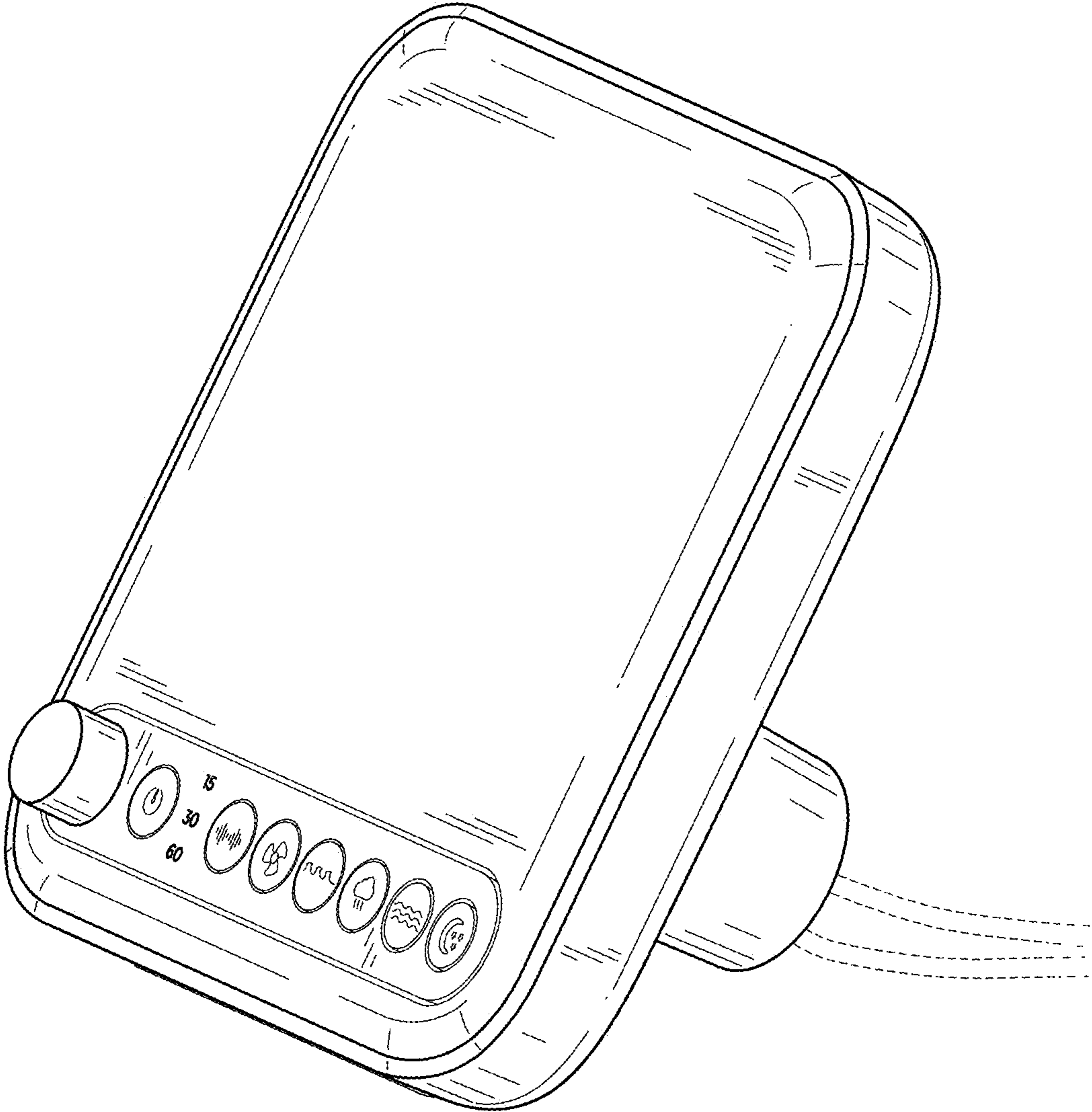


FIG. 1

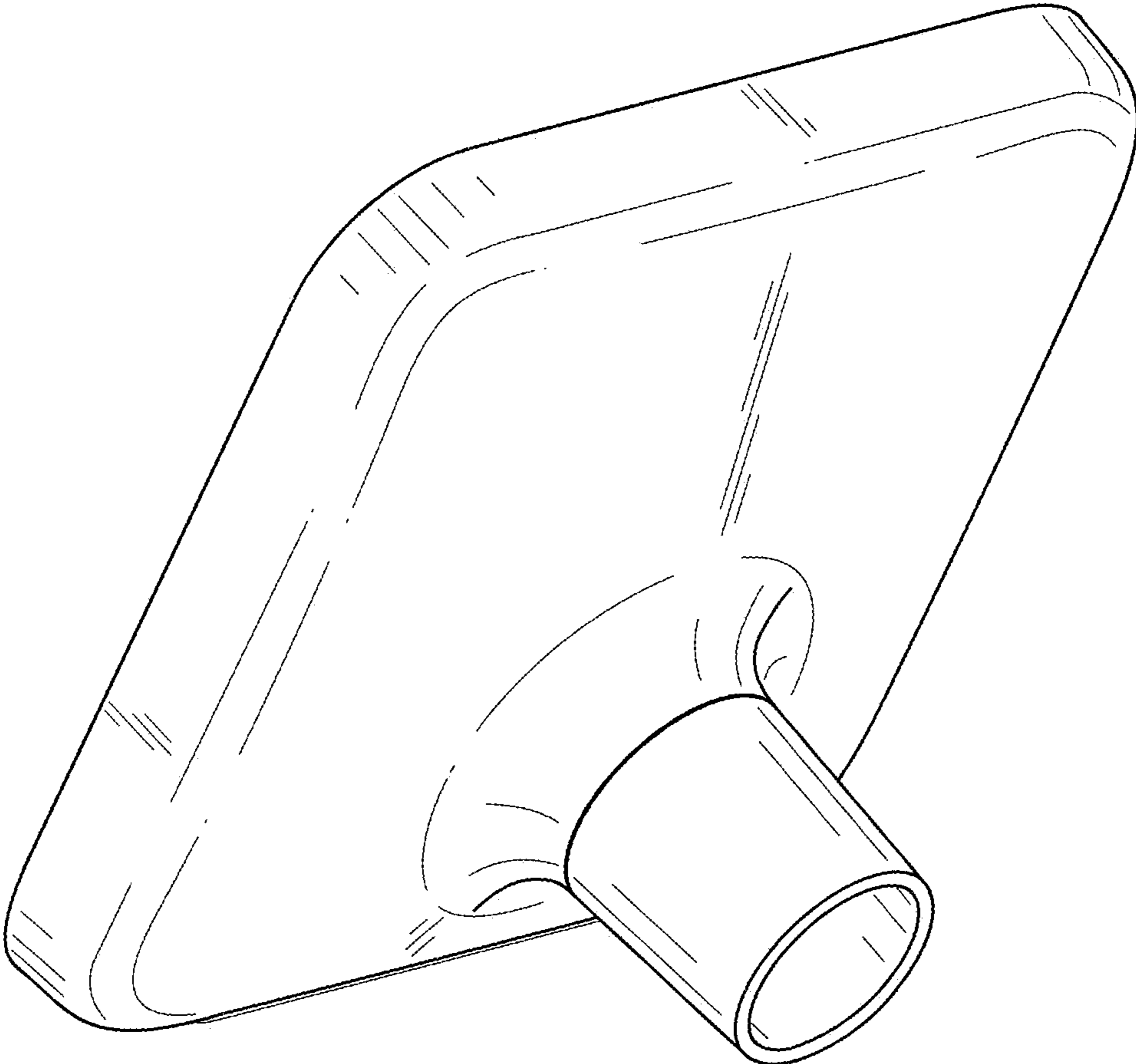


FIG. 2

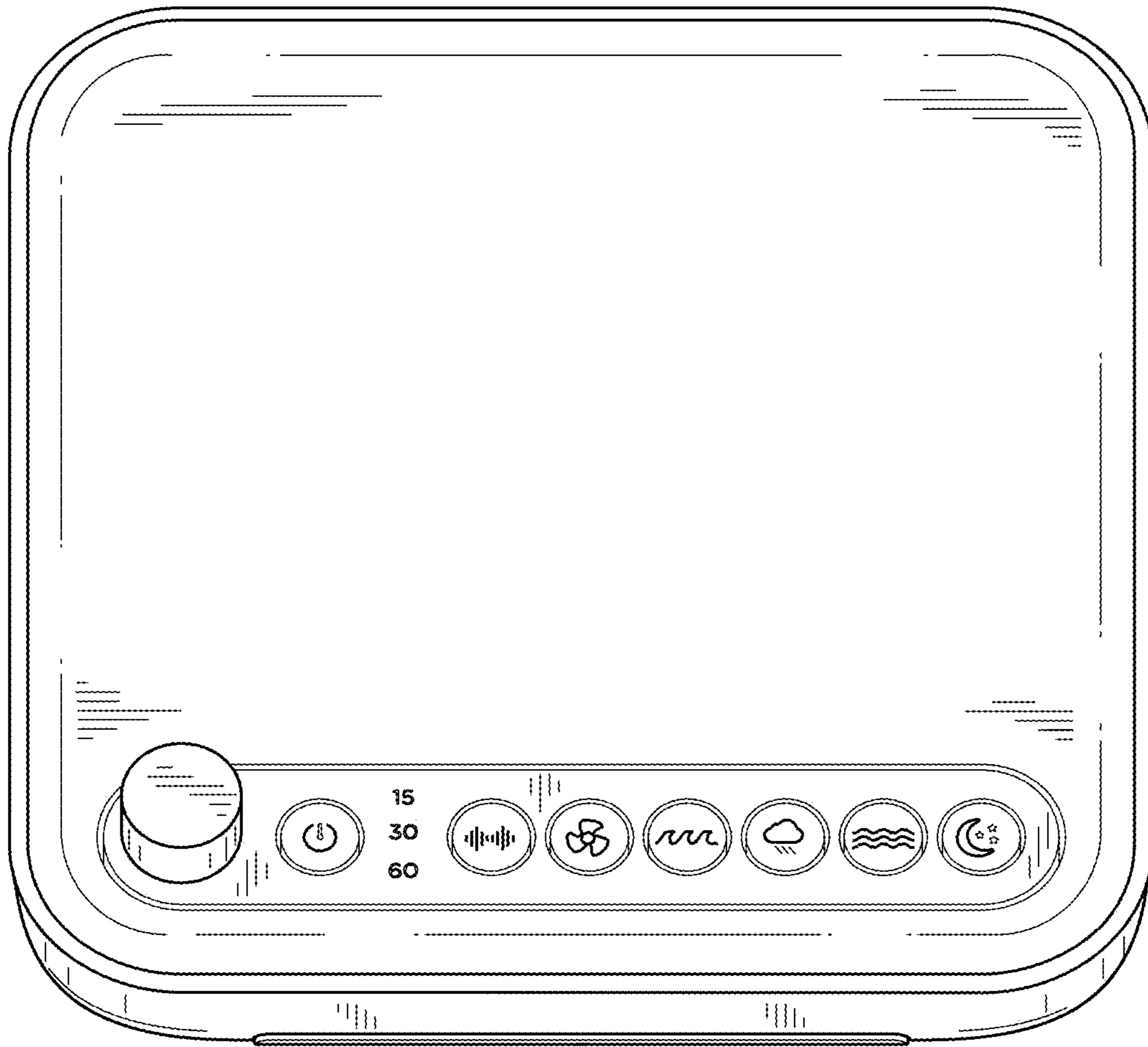


FIG. 3

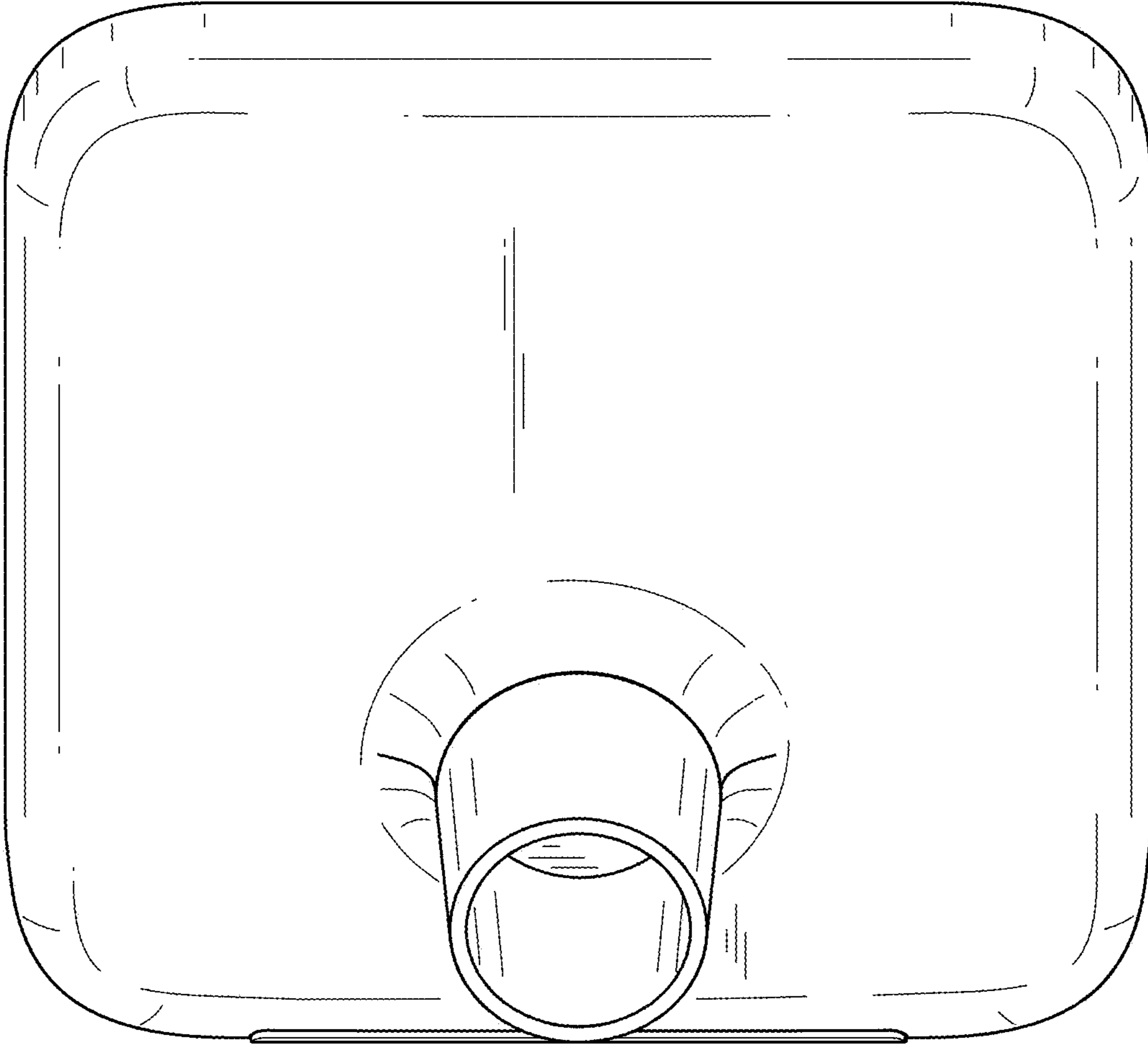


FIG. 4

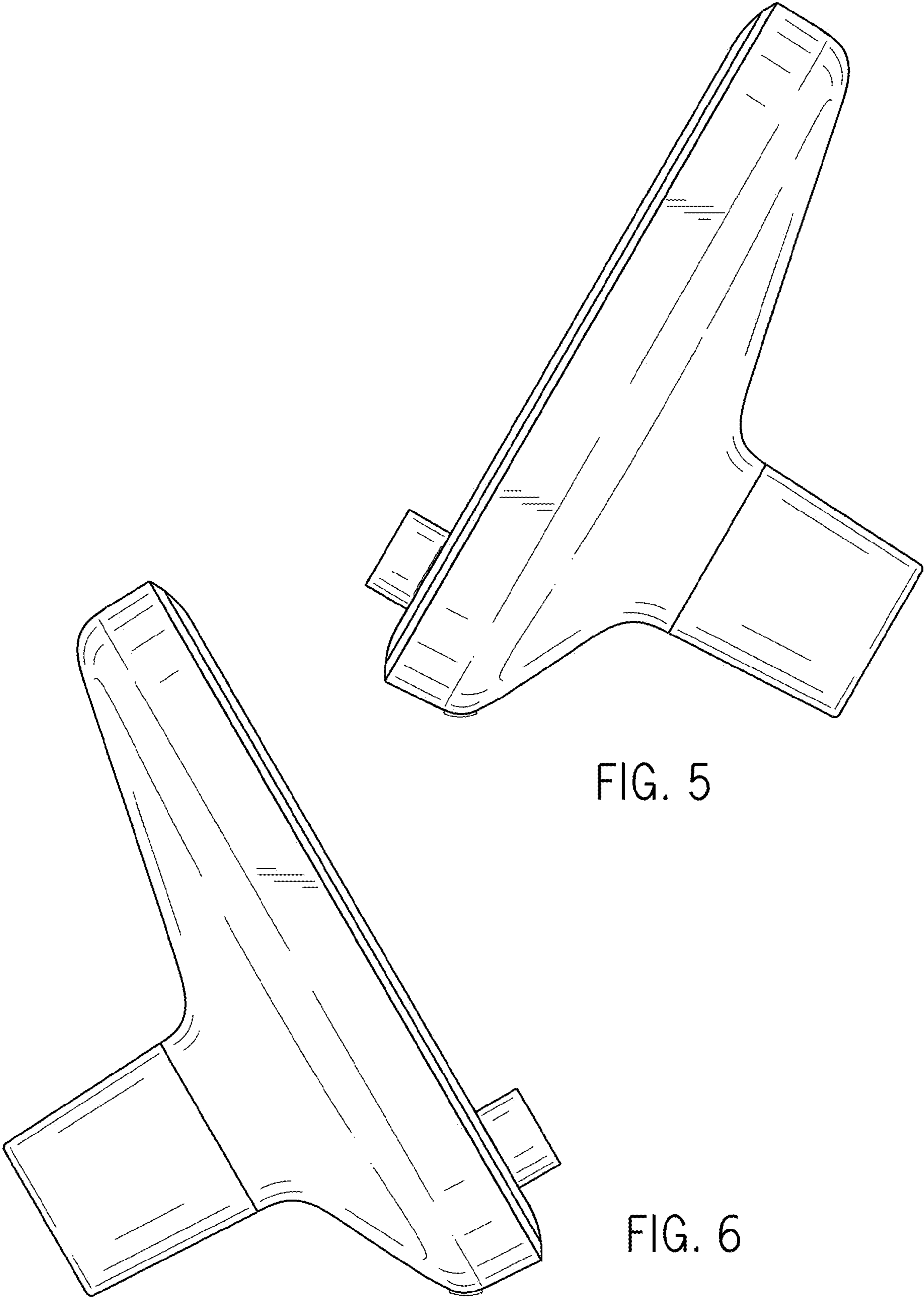


FIG. 5

FIG. 6

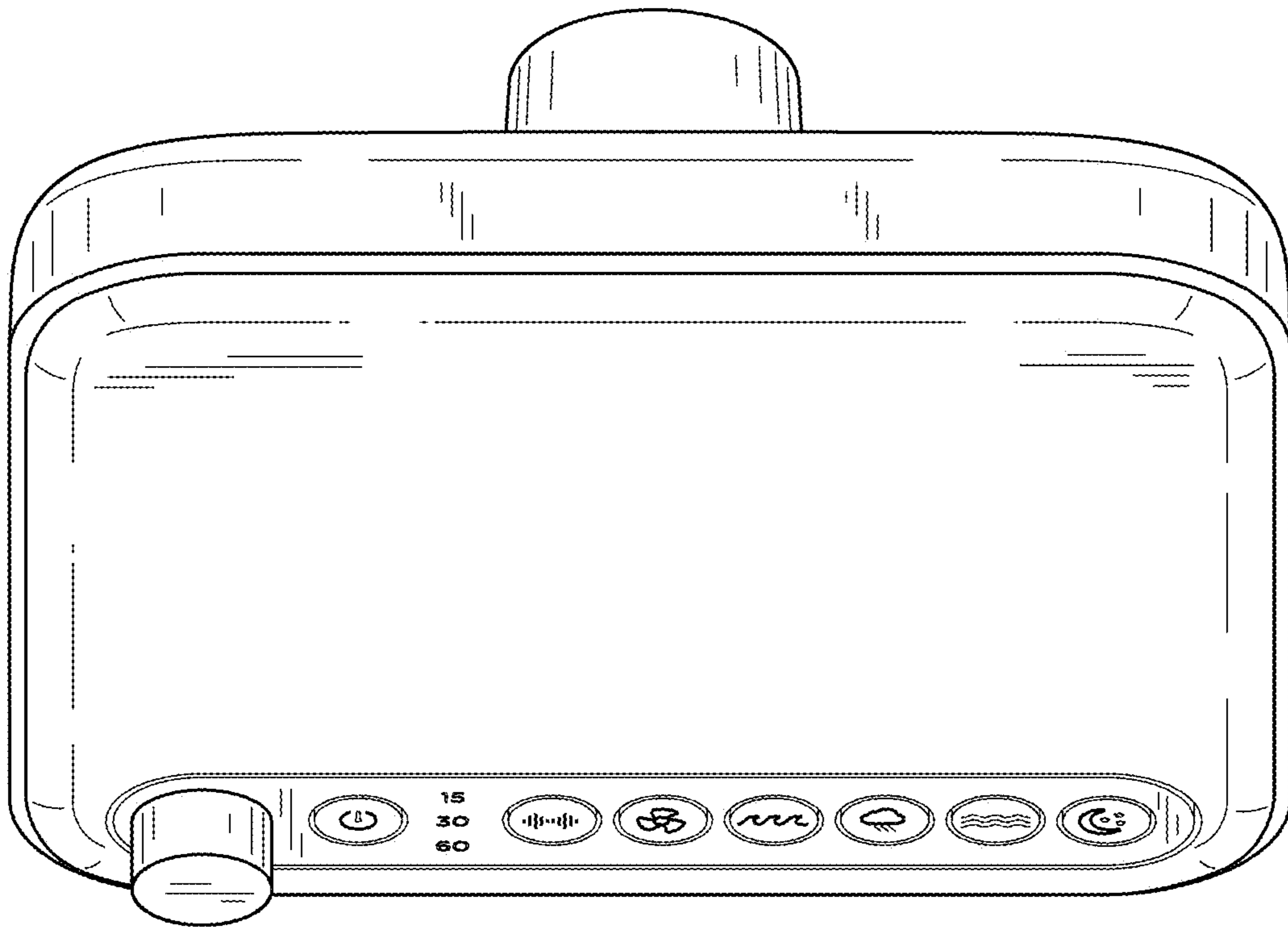


FIG. 7

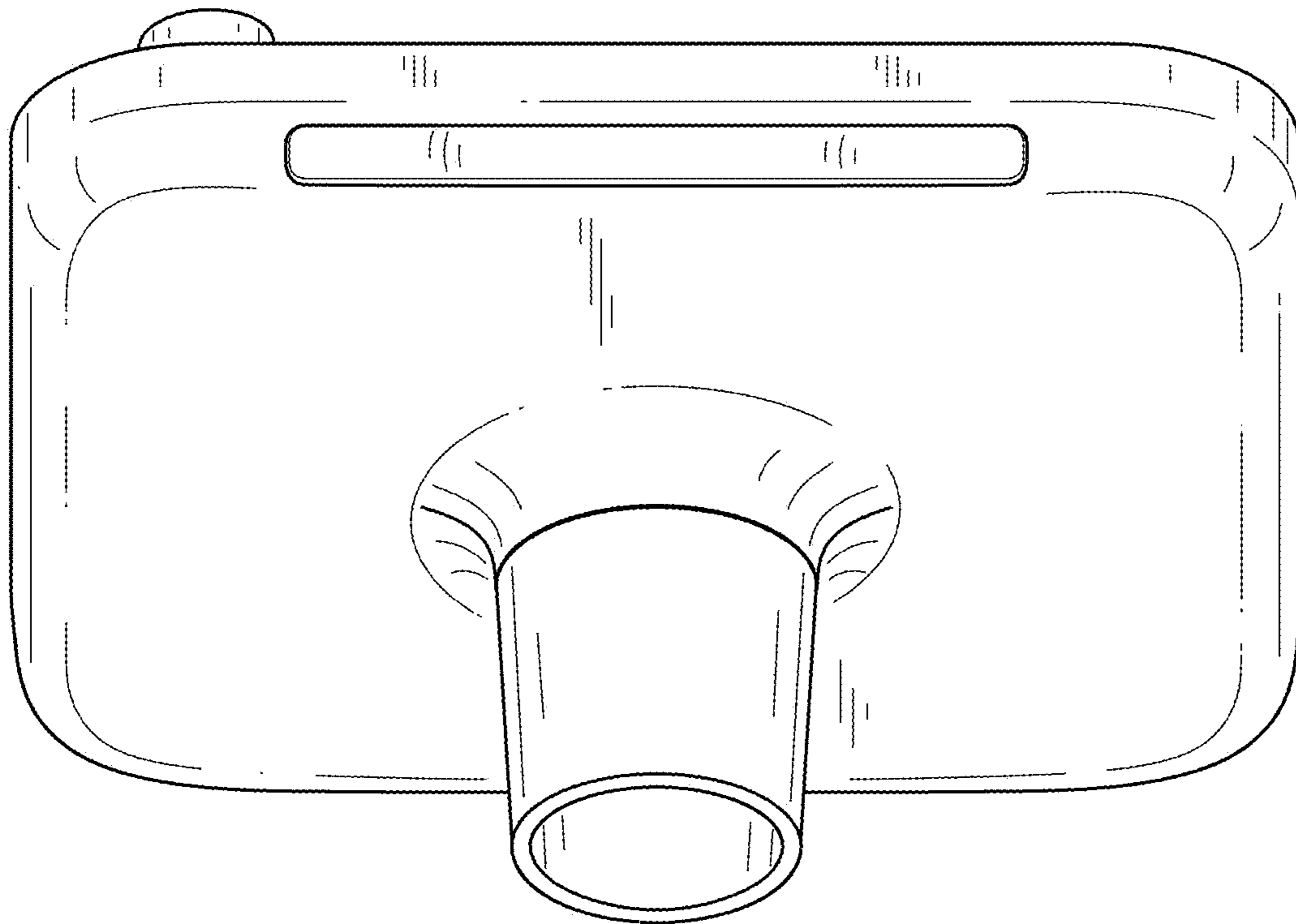


FIG. 8

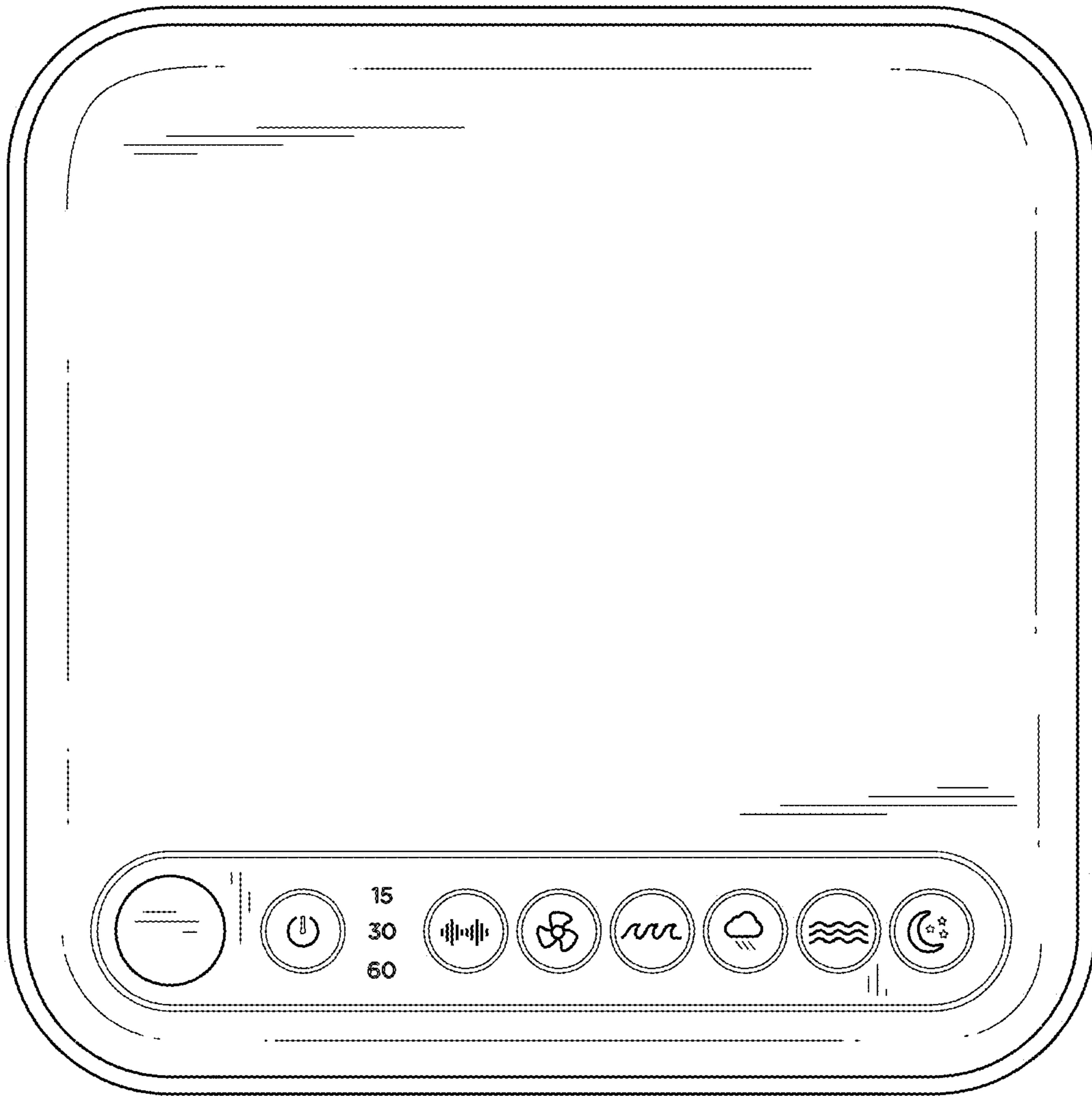


FIG. 9

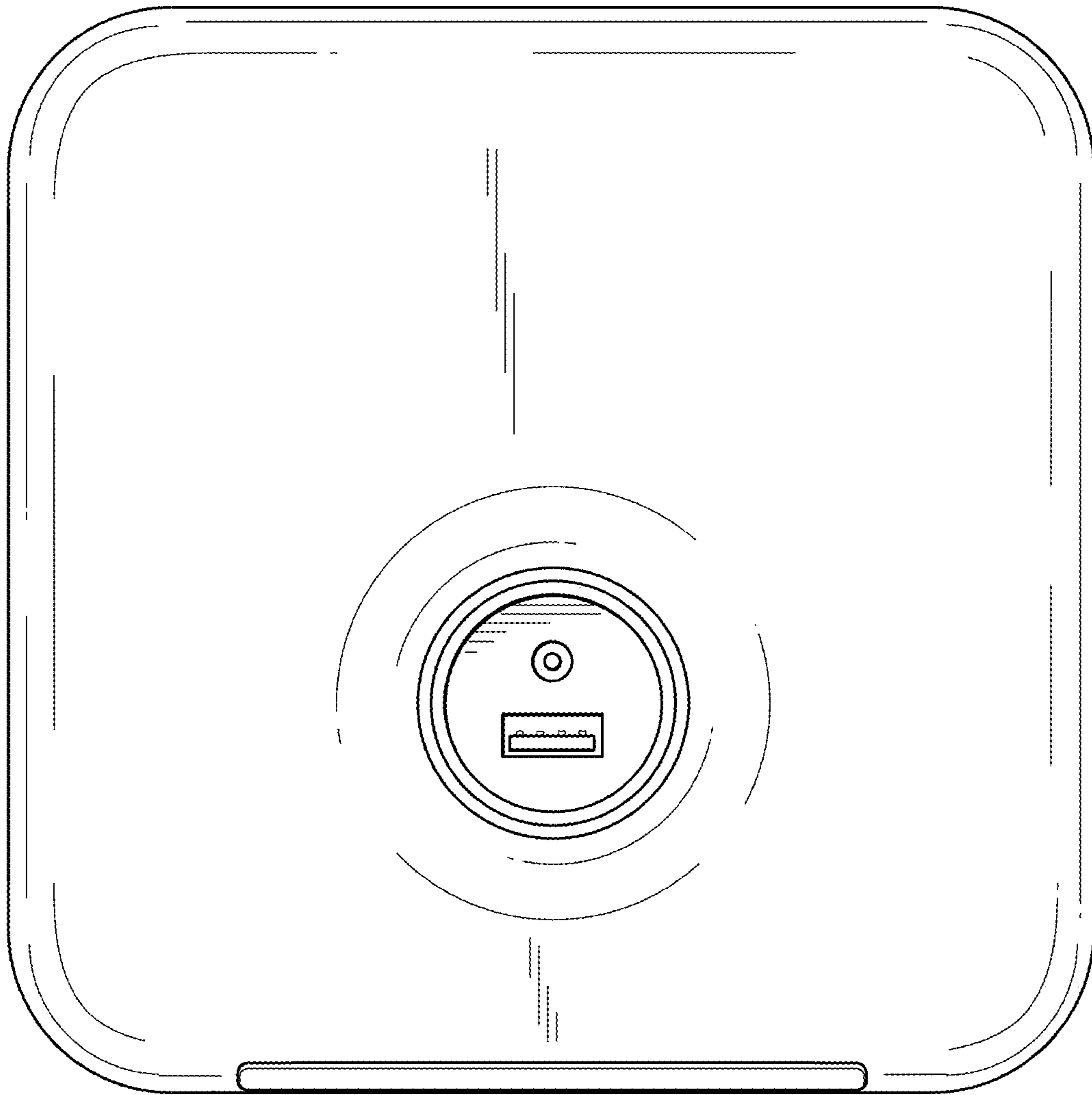


FIG. 10