



US00D872296S

(12) **United States Design Patent** (10) **Patent No.:** **US D872,296 S**
Norton et al. (45) **Date of Patent:** **** Jan. 7, 2020**

(54) **PARTICLE SORTING MODULE**
(71) Applicant: **Becton, Dickinson and Company**,
Franklin Lakes, NJ (US)
(72) Inventors: **Pierce O. Norton**, Los Gatos, CA (US);
Dennis F. Rey, Livermore, CA (US);
Jeannine K. Funderburk, Cupertino,
CA (US)

D423,670 S 4/2000 Scheuble et al.
6,133,044 A 10/2000 Kanda
6,149,867 A 11/2000 Hall et al.
6,263,745 B1 7/2001 Katsumoto
6,473,171 B1 10/2002 Buttry et al.
6,780,377 B2 8/2004 Hall et al.
6,890,487 B1 5/2005 Sklar et al.
6,947,136 B2 9/2005 Ortyn et al.
D529,603 S 10/2006 Knickerbocker et al.
7,471,394 B2 12/2008 Padmanabhan et al.
D584,407 S 1/2009 Kawamura

(73) Assignee: **BECTON, DICKINSON AND COMPANY**, Franklin Lakes, NJ (US)

(Continued)

FOREIGN PATENT DOCUMENTS

(**) Term: **15 Years**

EP 1815231 B1 9/2010
EP 1745275 B1 12/2017
EP 1846748 B1 9/2019

(21) Appl. No.: **29/635,393**

(22) Filed: **Jan. 30, 2018**

Primary Examiner — Anhdao Doan

(51) **LOC (12) Cl.** **24-01**

(74) *Attorney, Agent, or Firm* — Edward J. Baba; Bret E. Field; Bozicevic, Field & Francis LLP

(52) **U.S. Cl.**

USPC **D24/216**

(58) **Field of Classification Search**

USPC D24/107, 108, 185, 186, 216, 231–234,
D24/128, 227; D10/81

CPC G01N 15/1436; G01N 21/05; G01N
21/6428; G01N 2015/1006; G01N
2015/149; G01N 2015/1452; G01N
2021/6439; B01L 2200/0652

See application file for complete search history.

(57) **CLAIM**

The ornamental design for a particle sorting module, as shown and described.

DESCRIPTION

FIG. 1 is a front view of a particle sorting module; FIG. 2 is a back view of the particle sorting module; FIG. 3 is a first side view of the particle sorting module; FIG. 4 is a second side view of the particle sorting module; FIG. 5 is a top view of the particle sorting module; FIG. 6 is a bottom view of the particle sorting module; FIG. 7 is a front perspective view of the particle sorting module; and, FIG. 8 is a back perspective view of the particle sorting module.

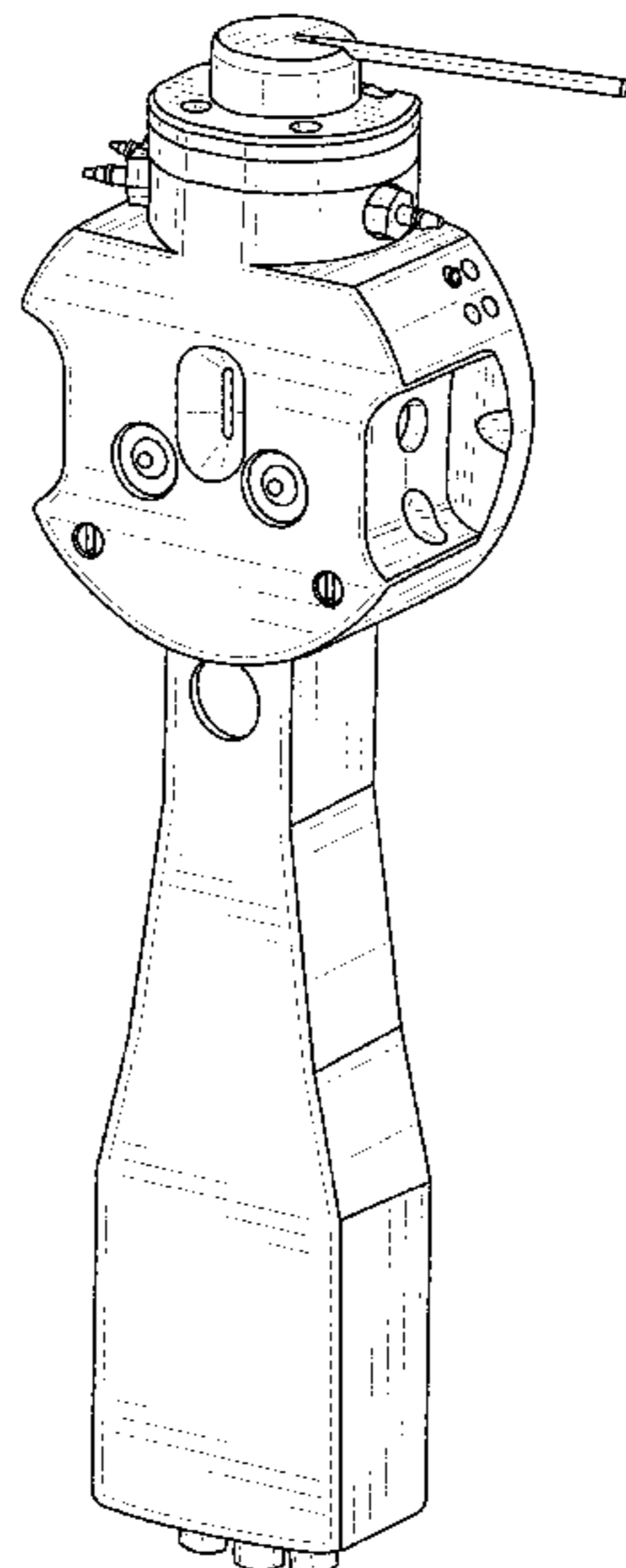
The broken lines illustrate portions of the particle sorting module that form no part of the claimed design; the broken lines form no part of the claimed design.

(56) **References Cited**

U.S. PATENT DOCUMENTS

D320,082 S 9/1991 Wyatt
D323,709 S 2/1992 Wyatt
D323,889 S 2/1992 Wyatt
D339,194 S * 9/1993 Telang D24/108
5,552,885 A 9/1996 Desjardins et al.
5,641,457 A 6/1997 Colon
D380,543 S 7/1997 Piontek et al.
D383,214 S 9/1997 Brennan
5,776,781 A 7/1998 Norton

1 Claim, 6 Drawing Sheets



(56)

References Cited

U.S. PATENT DOCUMENTS

D588,693 S	3/2009	Strong et al.	8,821,791 B2	9/2014	Shibata et al.
D590,935 S	4/2009	Becker	D715,925 S *	10/2014	Suzuki D24/128
7,553,453 B2	6/2009	Gu et al.	D717,438 S *	11/2014	Lin D24/216
7,630,063 B2	12/2009	Padmanabhan et al.	9,040,304 B2	5/2015	Durack et al.
D620,075 S	7/2010	Yamaguchi et al.	9,162,229 B2	10/2015	Gaskill-fox et al.
7,763,051 B2	7/2010	Cox et al.	9,339,850 B2	5/2016	Deshpande et al.
D622,846 S	8/2010	Frey	D759,260 S	6/2016	Topolovac et al.
7,777,869 B2	8/2010	Nerin et al.	D777,317 S	1/2017	Soual et al.
D627,065 S	11/2010	Ade et al.	9,556,413 B2	1/2017	Venter et al.
7,884,301 B2	2/2011	Kirstein et al.	9,784,659 B2	10/2017	Tanase et al.
7,911,617 B2	3/2011	Padmanabhan et al.	D802,150 S *	11/2017	Lund D24/186
7,978,329 B2	7/2011	Padmanabhan et al.	9,823,252 B2	11/2017	Gilbert et al.
8,004,661 B2	8/2011	Luscher	9,857,286 B2	1/2018	Yosuke et al.
8,062,609 B2	11/2011	Krager et al.	2004/0025602 A1 *	2/2004	Norton G01N 15/1459
D651,709 S	1/2012	Zeyfang			73/863.21
8,182,767 B2	5/2012	Padmanabhan et al.	2004/0062685 A1 *	4/2004	Norton G01N 15/14
8,277,764 B2	10/2012	Gilbert et al.			422/81
8,323,564 B2	12/2012	Padmanabhan et al.	2004/0209266 A1	10/2004	Squirrell
D676,567 S *	2/2013	van den Engh D24/216	2011/0217723 A1 *	9/2011	Durack C12N 5/0612
8,445,286 B2	5/2013	Bair et al.			435/29
8,610,892 B2	12/2013	Sharpe et al.	2011/0271746 A1 *	11/2011	Shinoda B01L 3/0268
8,637,318 B2	1/2014	Durack et al.			73/61.71
8,795,500 B2 *	8/2014	Shinoda B01L 3/0268	2011/0284378 A1 *	11/2011	Shinoda B01L 3/0268
		204/600			204/603
			2017/0299493 A1 *	10/2017	Norton G01N 15/1436

* cited by examiner

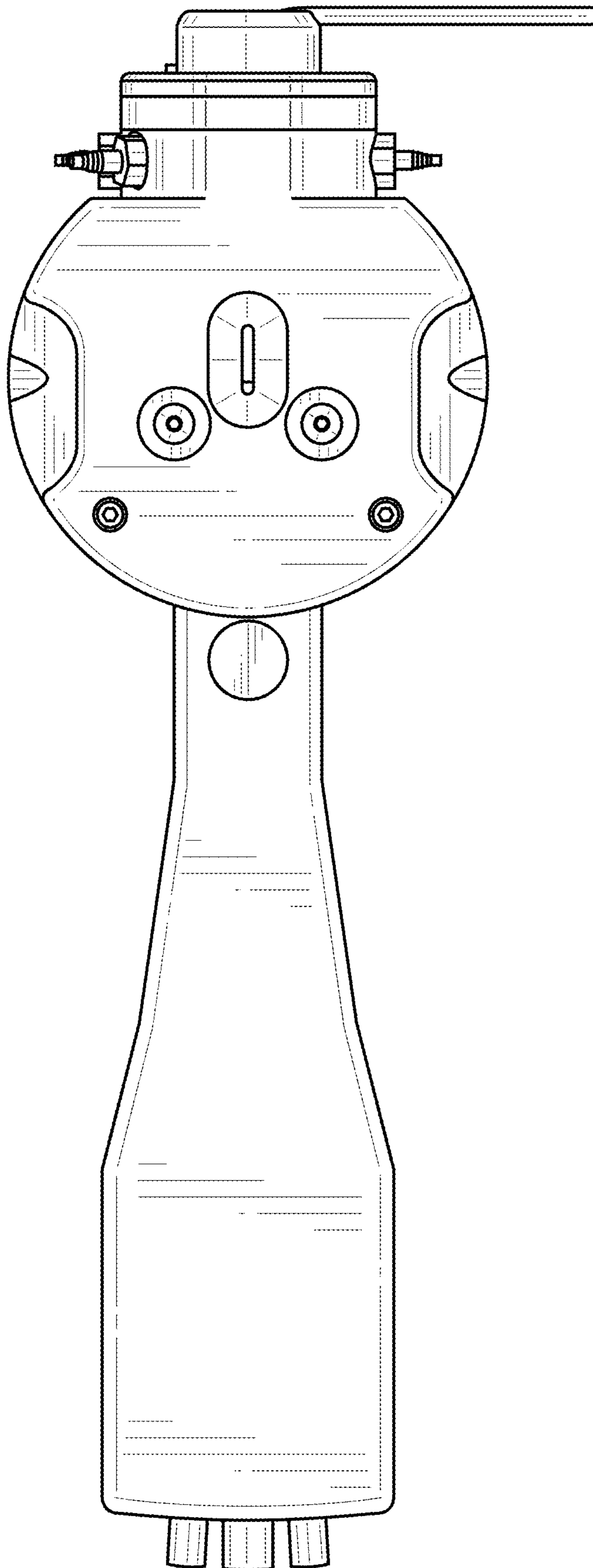


FIG. 1

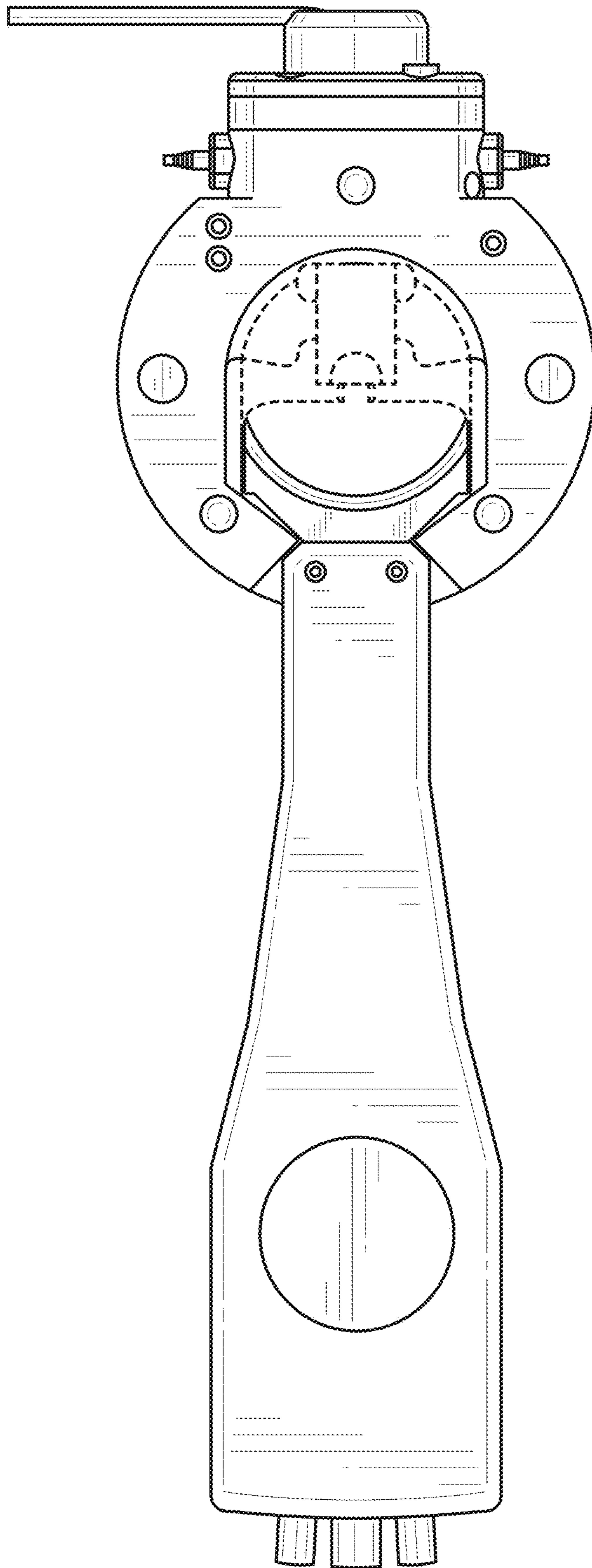


FIG. 2

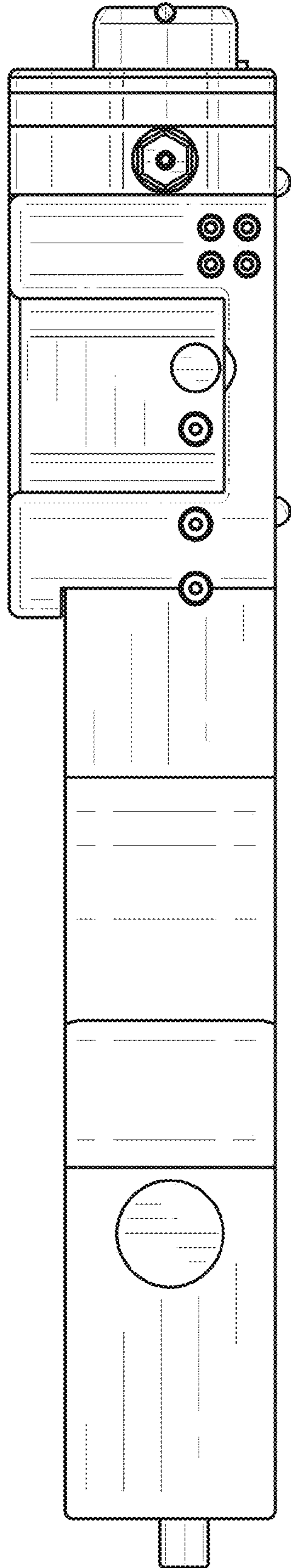


FIG. 3

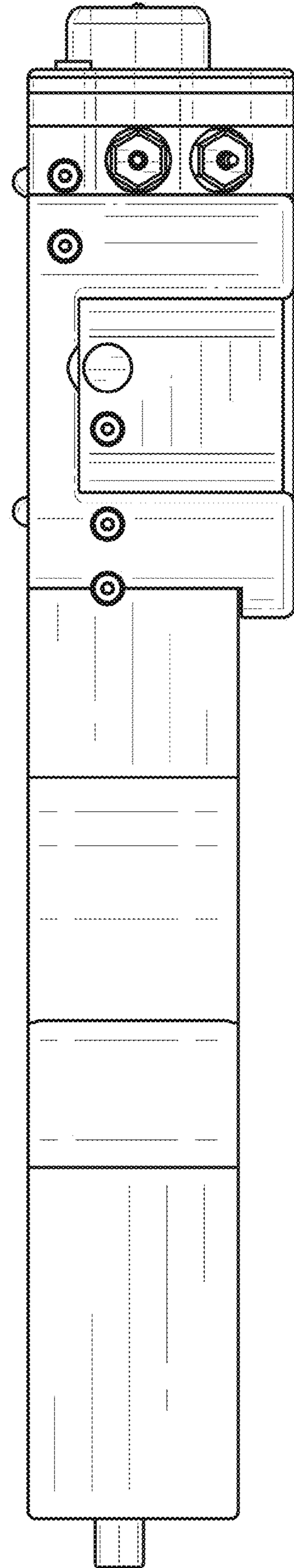


FIG. 4

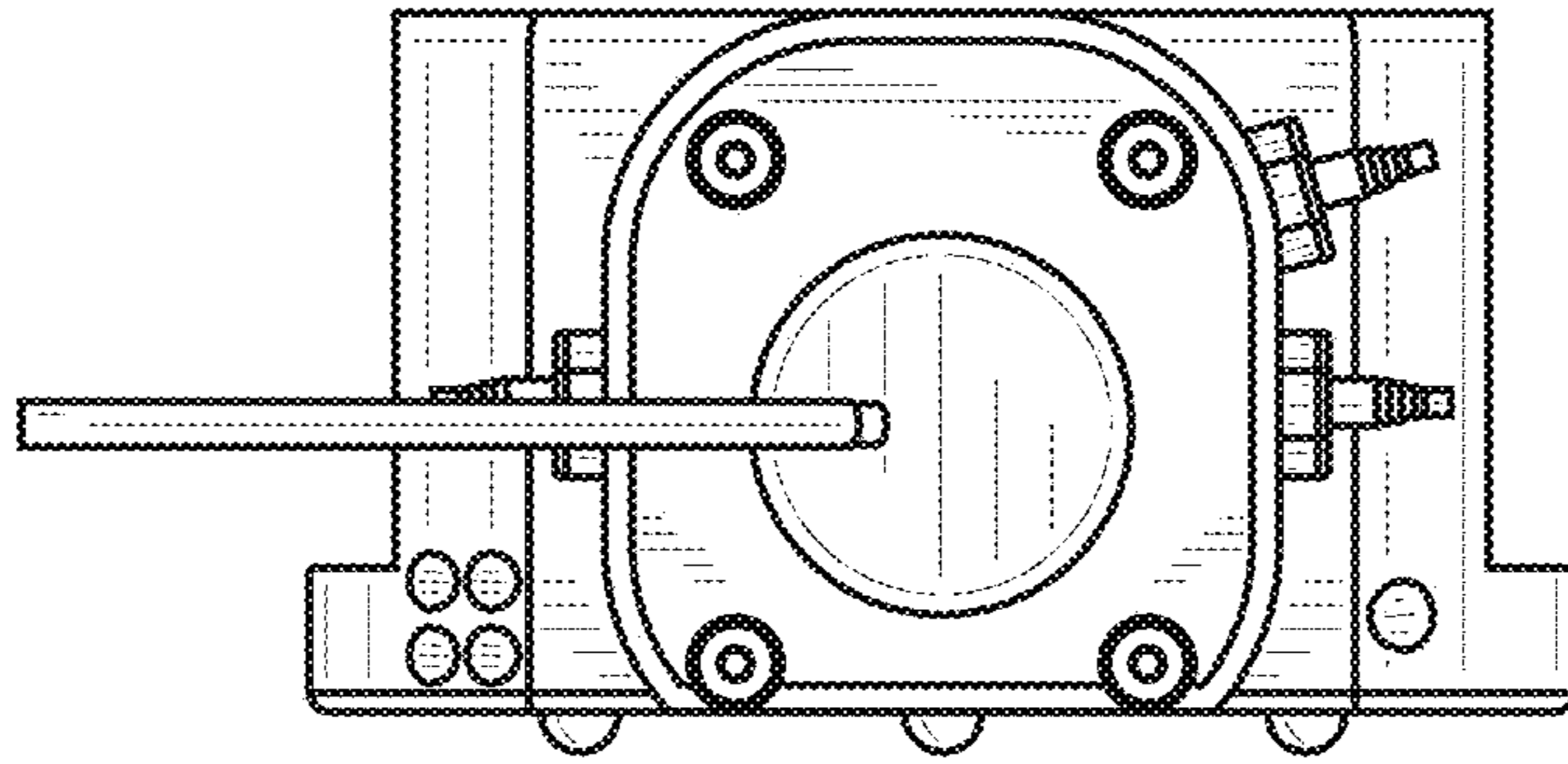


FIG. 5

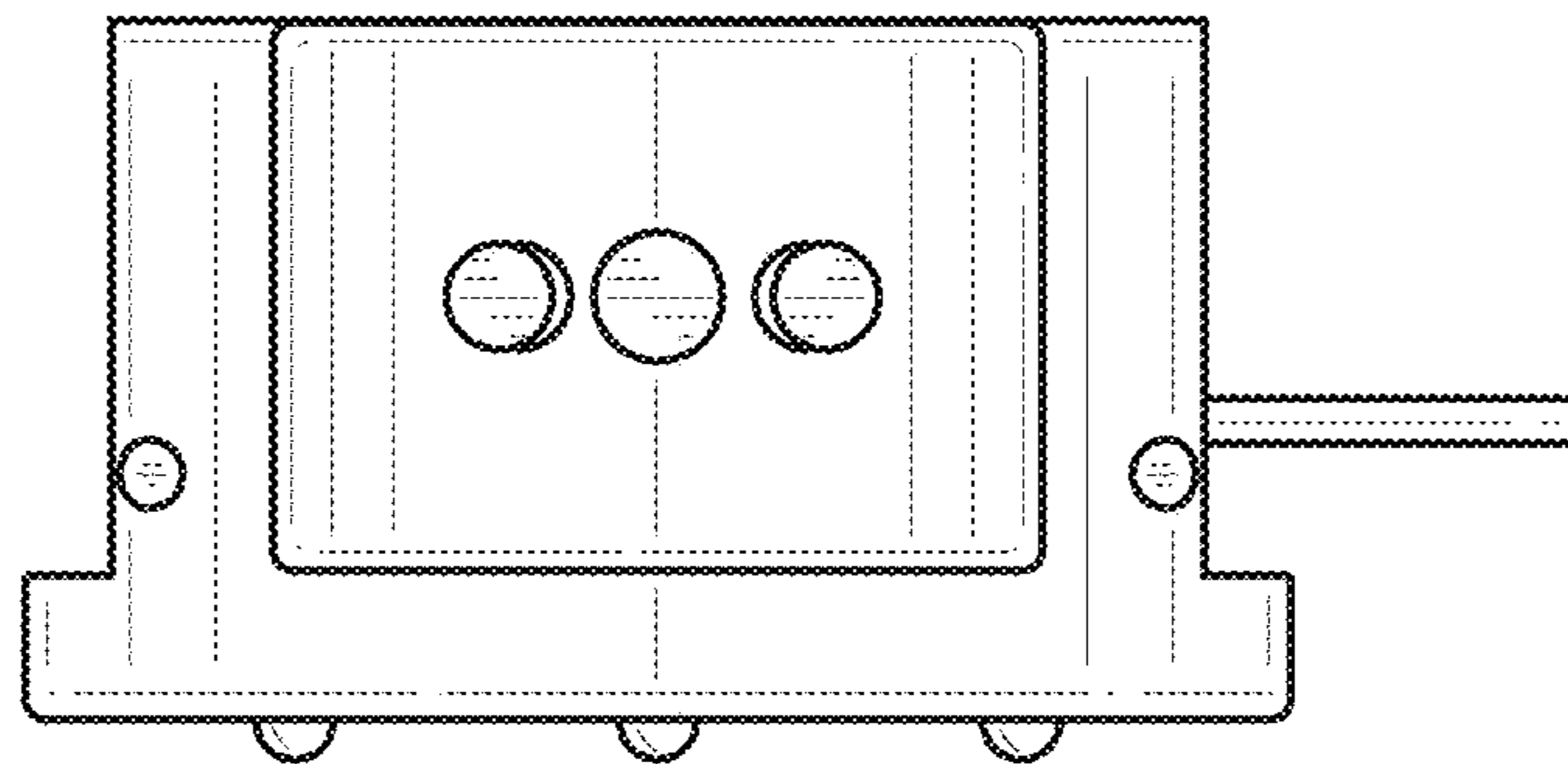


FIG. 6

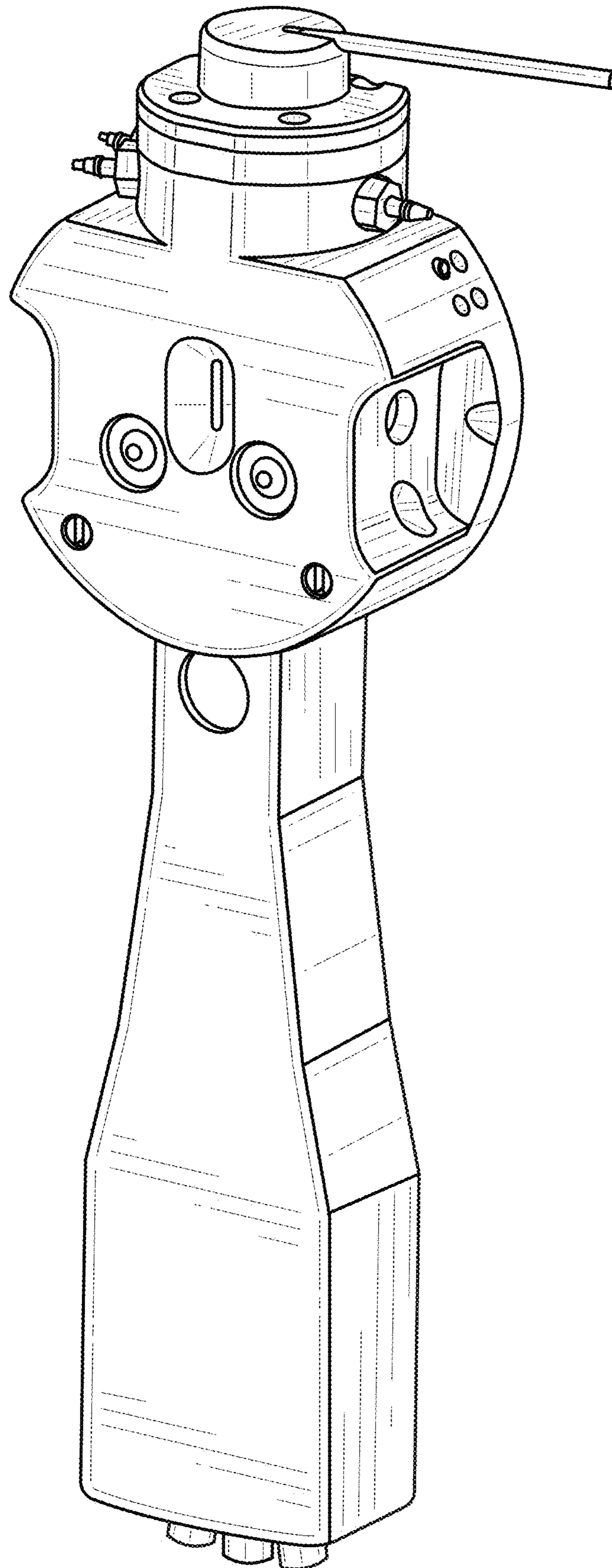


FIG. 7

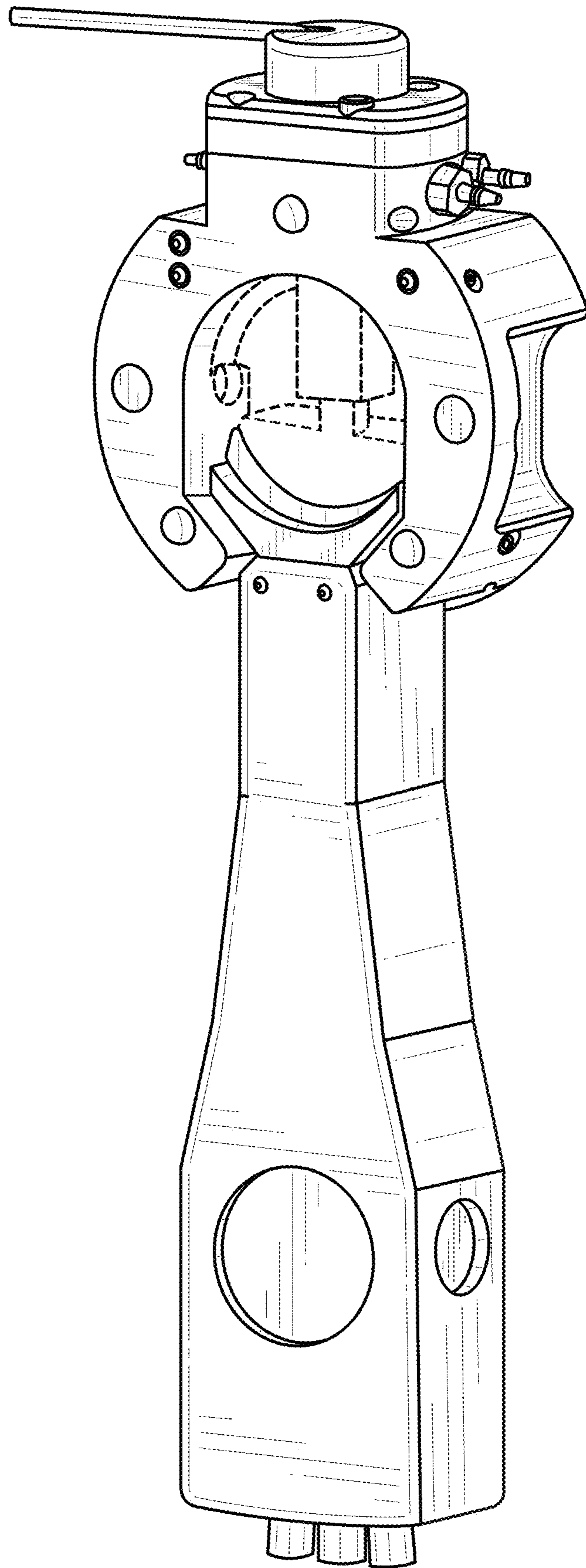


FIG. 8