



US00D872295S

(12) **United States Design Patent**
Friedman et al.

(10) **Patent No.:** **US D872,295 S**
(45) **Date of Patent:** **** Jan. 7, 2020**

(54) **CORDLESS MASSAGER**

(71) Applicant: **SG TRADEMARK HOLDING CO LLC**, Brooklyn, NY (US)

(72) Inventors: **Moshe Friedman**, Brooklyn, NY (US);
Chen Ying, Xiamen (CN)

(**) Term: **15 Years**

(21) Appl. No.: **29/682,749**

(22) Filed: **Mar. 7, 2019**

(51) **LOC (12) Cl.** **28-03**

(52) **U.S. Cl.**
USPC **D24/215**

(58) **Field of Classification Search**
USPC D24/200, 211, 212, 213, 214, 215;
601/19, 22, 46, 52, 63, 80, 99, 104,
(Continued)

(56) **References Cited**

U.S. PATENT DOCUMENTS

D188,229 S 6/1964 Drake, Jr.
D362,307 S 9/1995 Cirone
(Continued)

Primary Examiner — Sandra S Snapp

(74) *Attorney, Agent, or Firm* — Michael Steinmetz

(57) **CLAIM**

The ornamental design for a cordless massager, as shown and described.

DESCRIPTION

FIG. 1 is an isometric view of a cordless massager comprised of a handle, a smooth oblong head attachment, a 4-nodule head attachment, a 6-nodule head attachment, a bulbous head attachment, a fingered oblong head attachment, and a round domed head attachment, all of which are shown in a first separated position;

FIG. 2 is a front elevation view of the cordless massager shown in a second alternate, separated position;
FIG. 3 is a rear elevation view of the cordless massager shown in a third alternate, separated position;
FIG. 4 is a left side elevation view of the cordless massager shown in a fourth alternate, separated position;
FIG. 5 is a right side elevation view of the cordless massager shown in a fifth alternate, separated position;
FIG. 6 is a top plan view of the cordless massager shown in a sixth alternate, separated position;
FIG. 7 is a bottom plan view of the cordless massager shown in a seventh alternate, separated position;
FIG. 8 is an isometric view of the cordless massager shown in an eighth alternate position with the smooth oblong head attachment attached to the handle and the remaining head attachments removed for ease of illustration;
FIG. 9 is a front elevation view thereof;
FIG. 10 is a rear elevation view thereof;
FIG. 11 is a left side elevation view thereof;
FIG. 12 is a right side elevation view thereof;
FIG. 13 is a top plan view thereof;
FIG. 14 is a bottom plan view thereof;
FIG. 15 is an isometric view of the cordless massager shown in a ninth alternate position with the 4-nodule head attachment attached to the handle and the remaining head attachments removed for ease of illustration;
FIG. 16 is a front elevation view thereof;
FIG. 17 is a rear elevation view thereof;
FIG. 18 is a left side elevation view thereof;
FIG. 19 is a right side elevation view thereof;
FIG. 20 is a top plan view thereof;
FIG. 21 is a bottom plan view thereof;
FIG. 22 is an isometric view of the cordless massager shown in a tenth alternate position with the 6-nodule head attachment attached to the handle and the remaining head attachments removed for ease of illustration;
FIG. 23 is a front elevation view thereof;
FIG. 24 is a rear elevation view thereof;
FIG. 25 is a left side elevation view thereof;
FIG. 26 is a right side elevation view thereof;
FIG. 27 is a top plan view thereof;
FIG. 28 is a bottom plan view thereof;

(Continued)

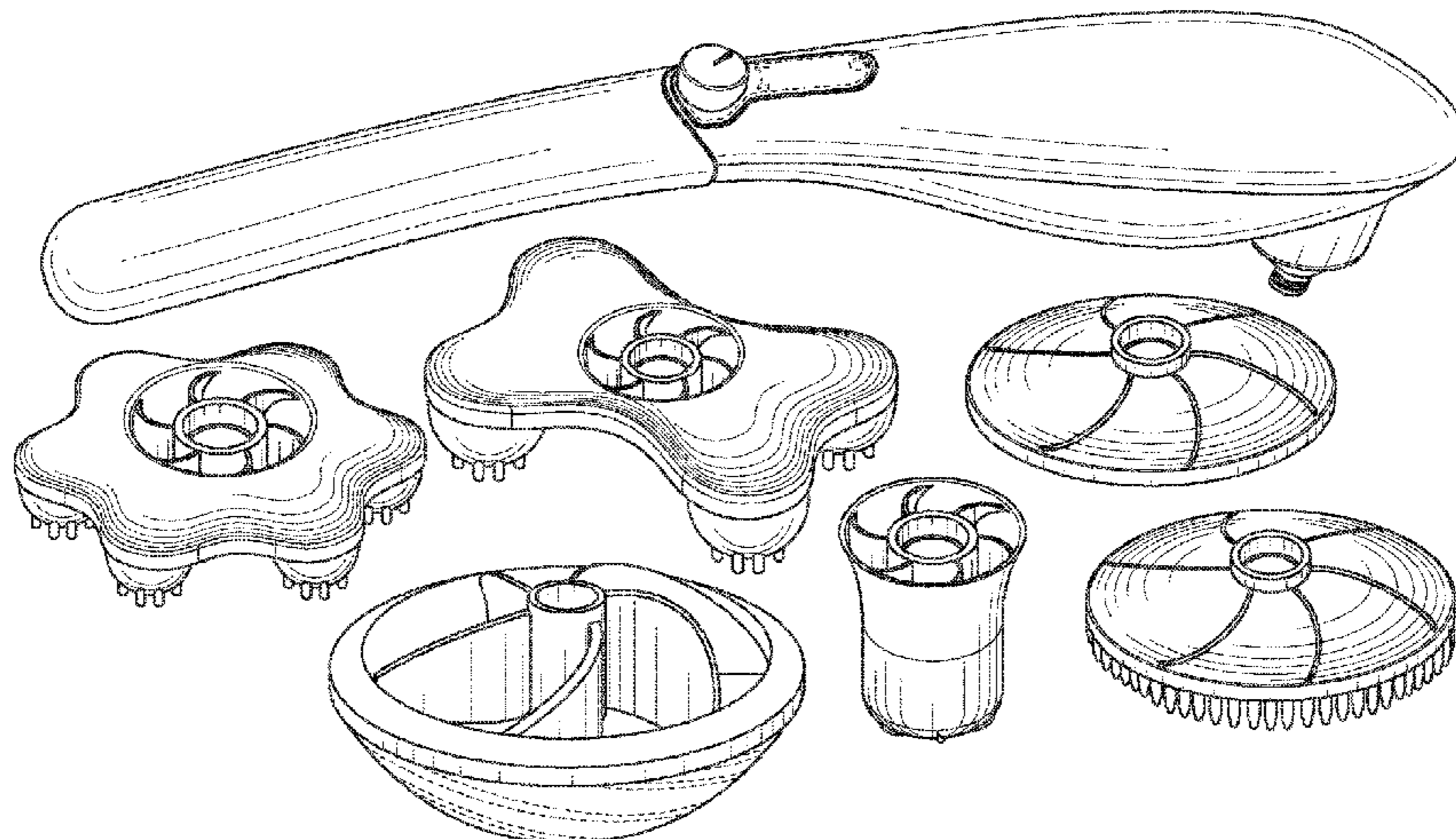


FIG. 29 is an isometric view of the cordless massager shown in an eleventh alternate position with the bulbous head attachment attached to the handle and the remaining head attachments removed for ease of illustration;
 FIG. 30 is a front elevation view thereof;
 FIG. 31 is a rear elevation view thereof;
 FIG. 32 is a left side elevation view thereof;
 FIG. 33 is a right side elevation view thereof;
 FIG. 34 is a top plan view thereof;
 FIG. 35 is a bottom plan view thereof;
 FIG. 36 is an isometric view of the cordless massager shown in a twelfth alternate position with the fingered oblong head attachment attached to the handle and the remaining head attachments removed for ease of illustration;
 FIG. 37 is a front elevation view thereof;
 FIG. 38 is a rear elevation view thereof;
 FIG. 39 is a left side elevation view thereof;
 FIG. 40 is a right side elevation view thereof;
 FIG. 41 is a top plan view thereof;
 FIG. 42 is a bottom plan view thereof;
 FIG. 43 is an isometric view of the cordless massager shown in a thirteenth alternate position with the round domed head attachment attached to the handle and the remaining head attachments removed for ease of illustration;
 FIG. 44 is a front elevation view thereof;
 FIG. 45 is a rear elevation view thereof;
 FIG. 46 is a left side elevation view thereof;
 FIG. 47 is a right side elevation view thereof;
 FIG. 48 is a top plan view thereof;
 FIG. 49 is a bottom plan view thereof;
 FIG. 50 is an isometric view of the cordless massager shown in a fourteenth alternate position with the handle element shown with all head attachments removed for ease of illustration;
 FIG. 51 is a front elevation view thereof;
 FIG. 52 is a rear elevation view thereof;
 FIG. 53 is a left side elevation view thereof;
 FIG. 54 is a right side elevation view thereof;
 FIG. 55 is a top plan view thereof; and,
 FIG. 56 is a bottom plan view thereof.

The broken lines depict portions of the cordless massager and form no part of the claimed design.

1 Claim, 49 Drawing Sheets

(58) **Field of Classification Search**

USPC 601/110–114, 118–120, 125, 134, 151,
 601/152, DIG. 12, DIG. 14, DIG. 15,
 601/DIG. 16, DIG. 17
 CPC A61H 1/00; A61H 1/001; A61H 1/0237;
 A61H 2015/0007; A61H 2015/0014;
 A61H 2015/0042; A61H 2015/0064;
 A61H 15/00; A61H 2011/005; A61H
 19/44; A61H 19/50; A61H 21/00; A61H
 37/00

See application file for complete search history.

(56) **References Cited**

U.S. PATENT DOCUMENTS

D388,175	S	12/1997	Lie	
D435,913	S *	1/2001	Harris	D24/214
6,352,518	B1	3/2002	nee Wolf	
D478,385	S	8/2003	Dirks et al.	
6,730,050	B2 *	5/2004	Huang	A61H 23/0254 601/103
D627,897	S	11/2010	Yde et al.	
D627,898	S	11/2010	Aulwes et al.	
D628,304	S	11/2010	Aulwes et al.	
D649,657	S	11/2011	Petersen et al.	
D671,226	S *	11/2012	Aulwes	D24/215
D729,398	S *	5/2015	Park	D24/215
9,642,768	B2	5/2017	Ungemach et al.	
D823,478	S *	7/2018	Park	D24/215
D837,395	S	1/2019	Gan	
D842,491	S *	3/2019	Fleming	A61B 8/08 D24/215
2002/0156402	A1	10/2002	Woog et al.	
2005/0015030	A1	1/2005	Bousfield et al.	
2009/0069728	A1	3/2009	Hoffmann et al.	
2009/0299237	A1	12/2009	Rhoades	
2010/0274162	A1	10/2010	Evans	
2012/0204369	A1 *	8/2012	Watanabe	A46B 5/0025 15/110
2013/0046212	A1	2/2013	Nichols	
2014/0336540	A1	11/2014	Chen	

* cited by examiner

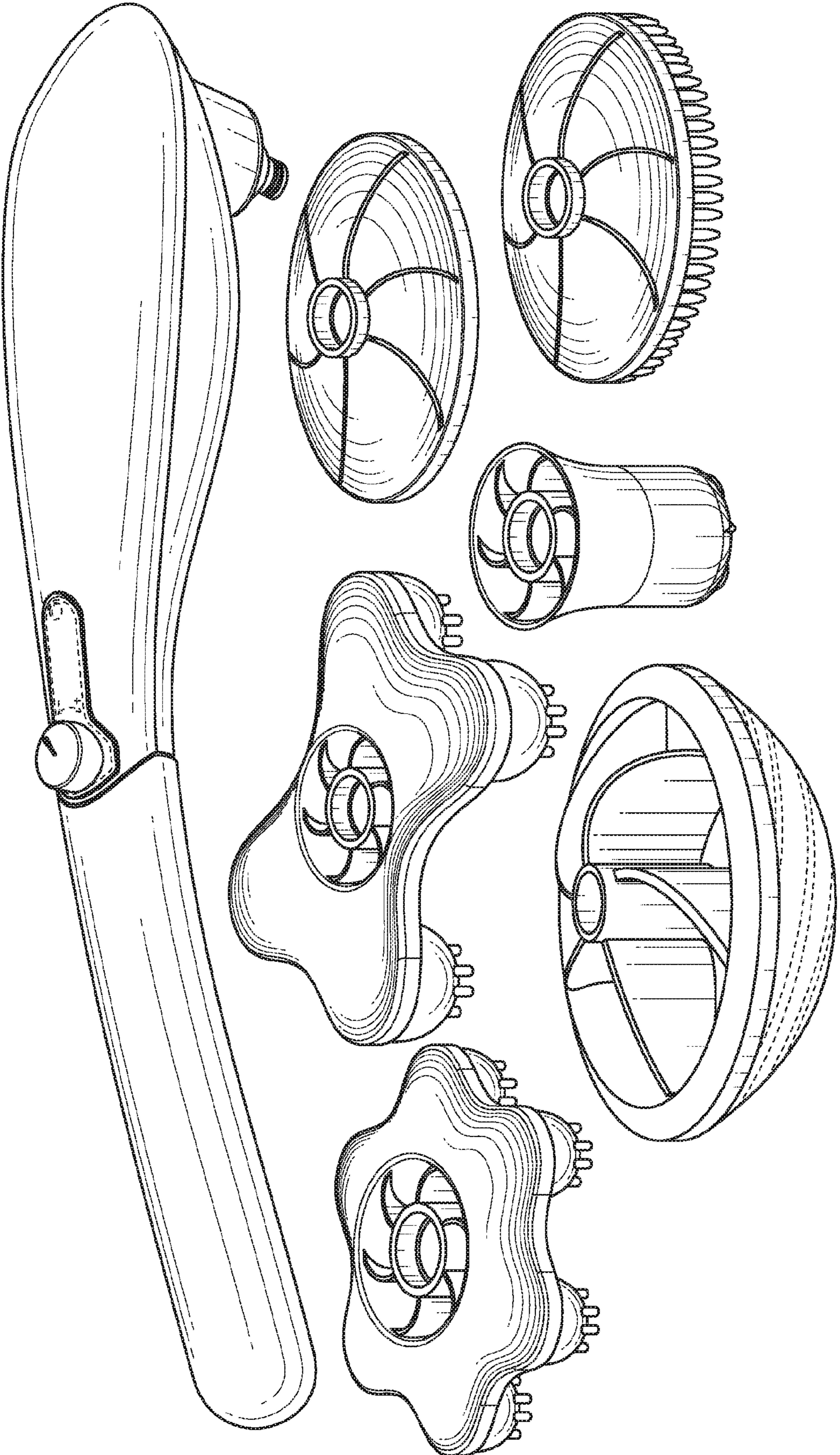


FIG. 1

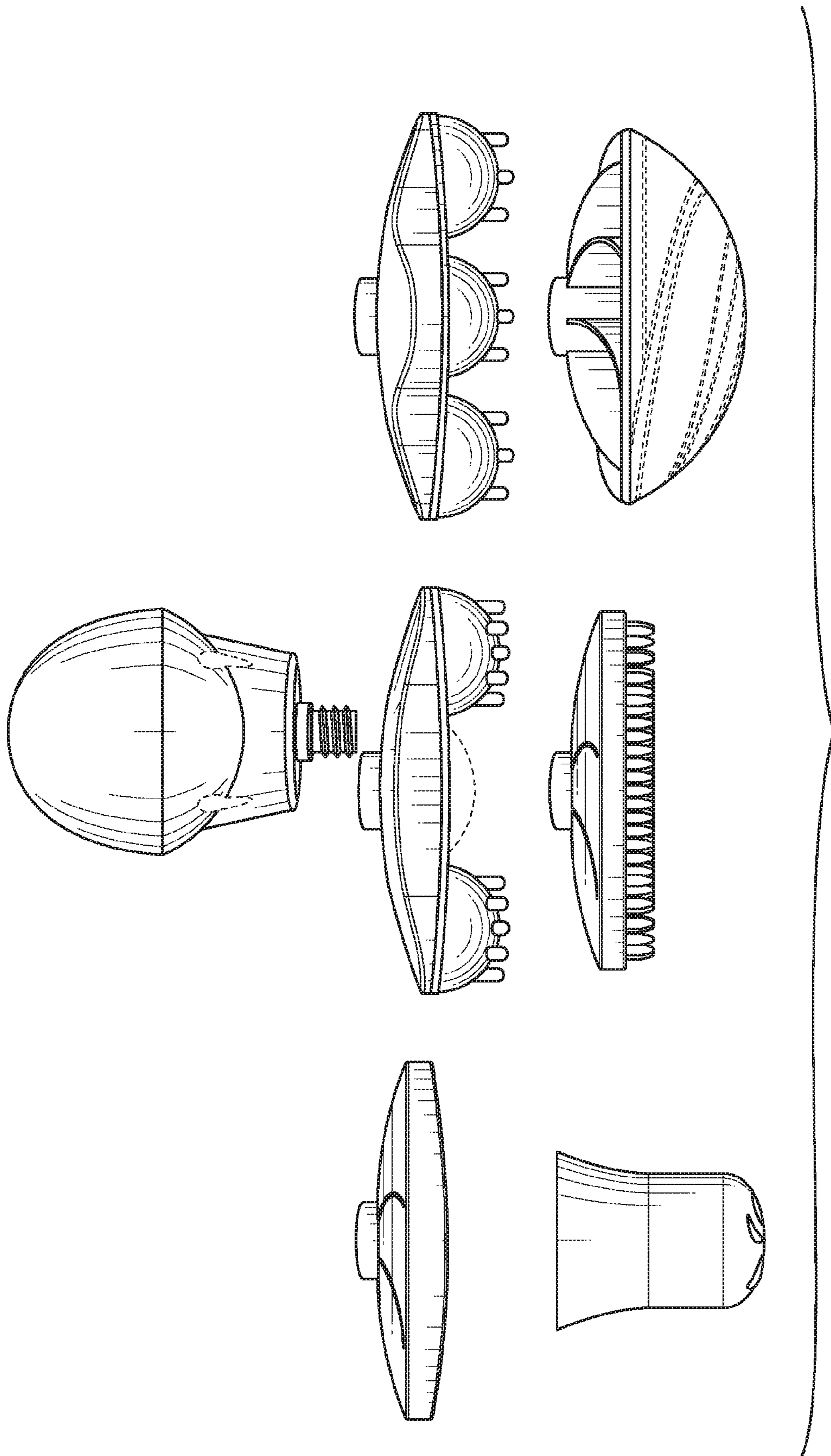


FIG. 2

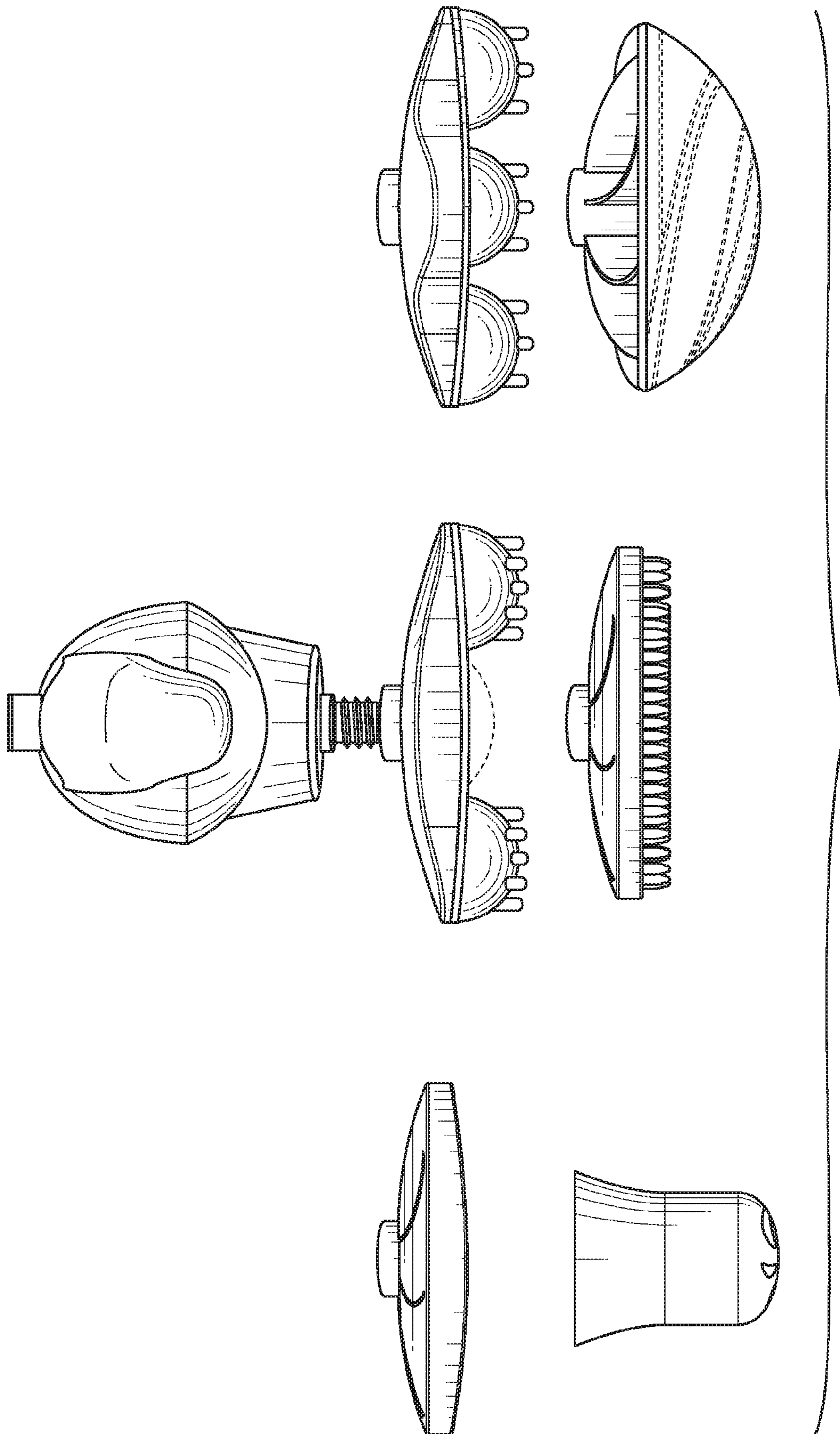


FIG. 3

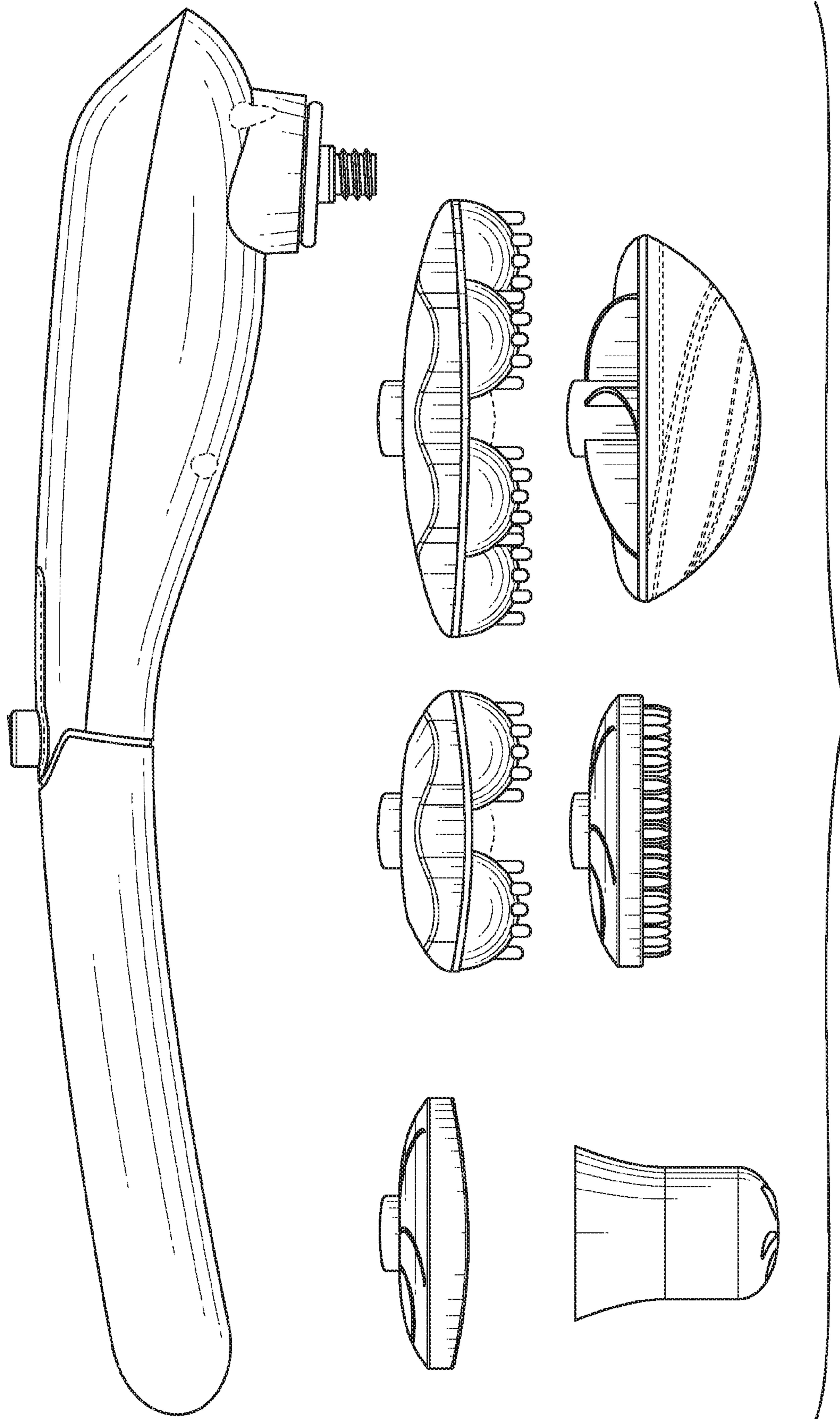


FIG. 4

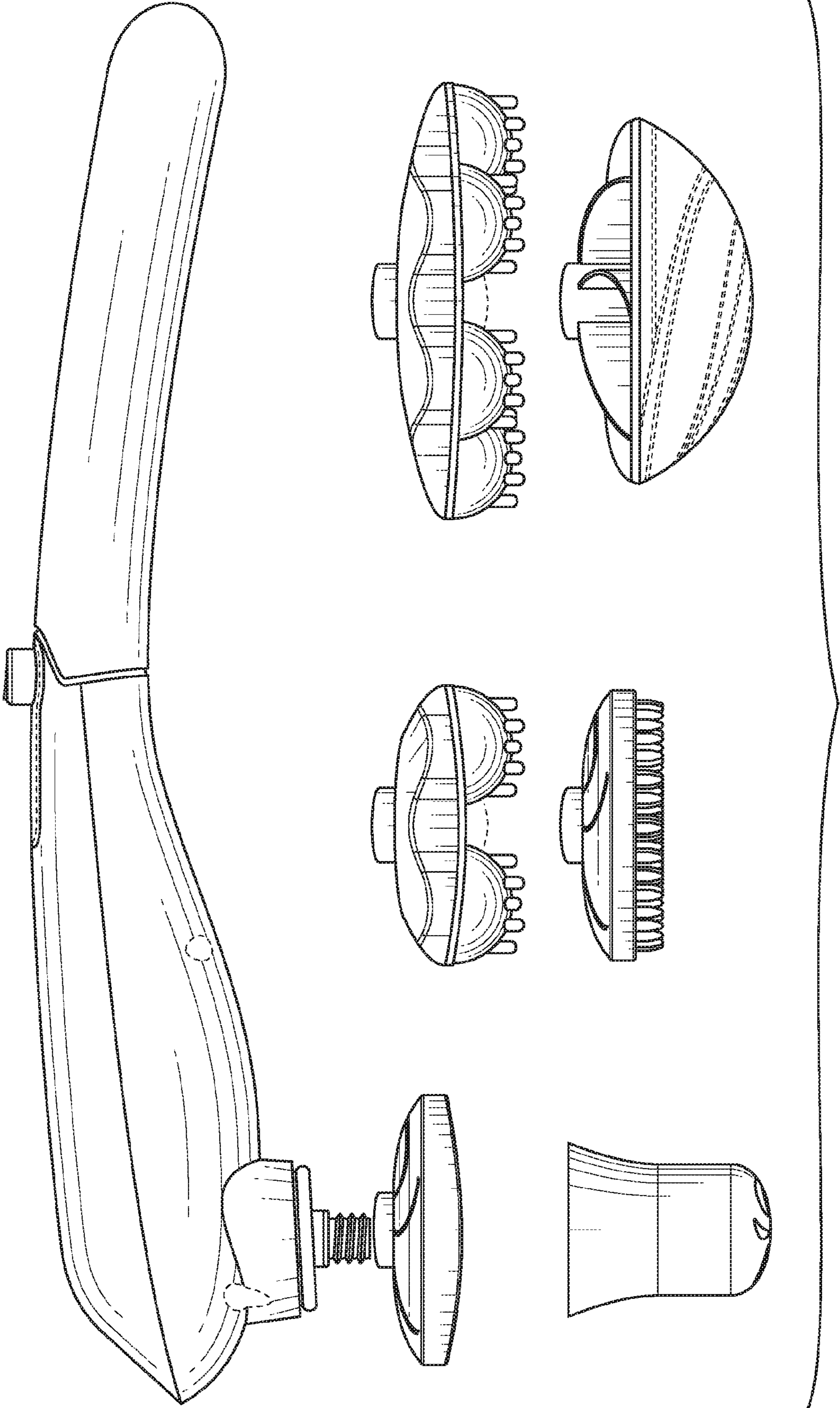


FIG. 5

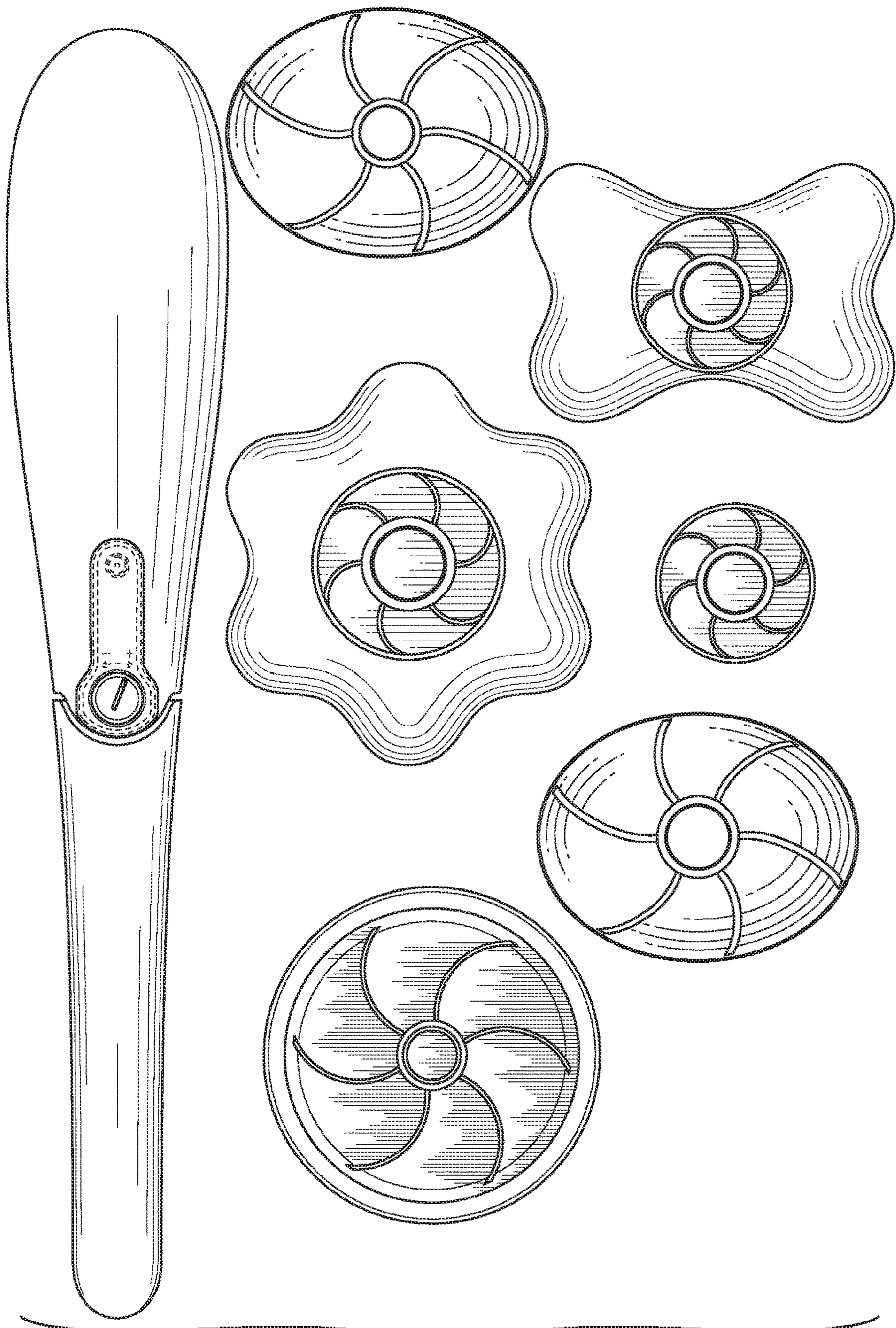


FIG. 6

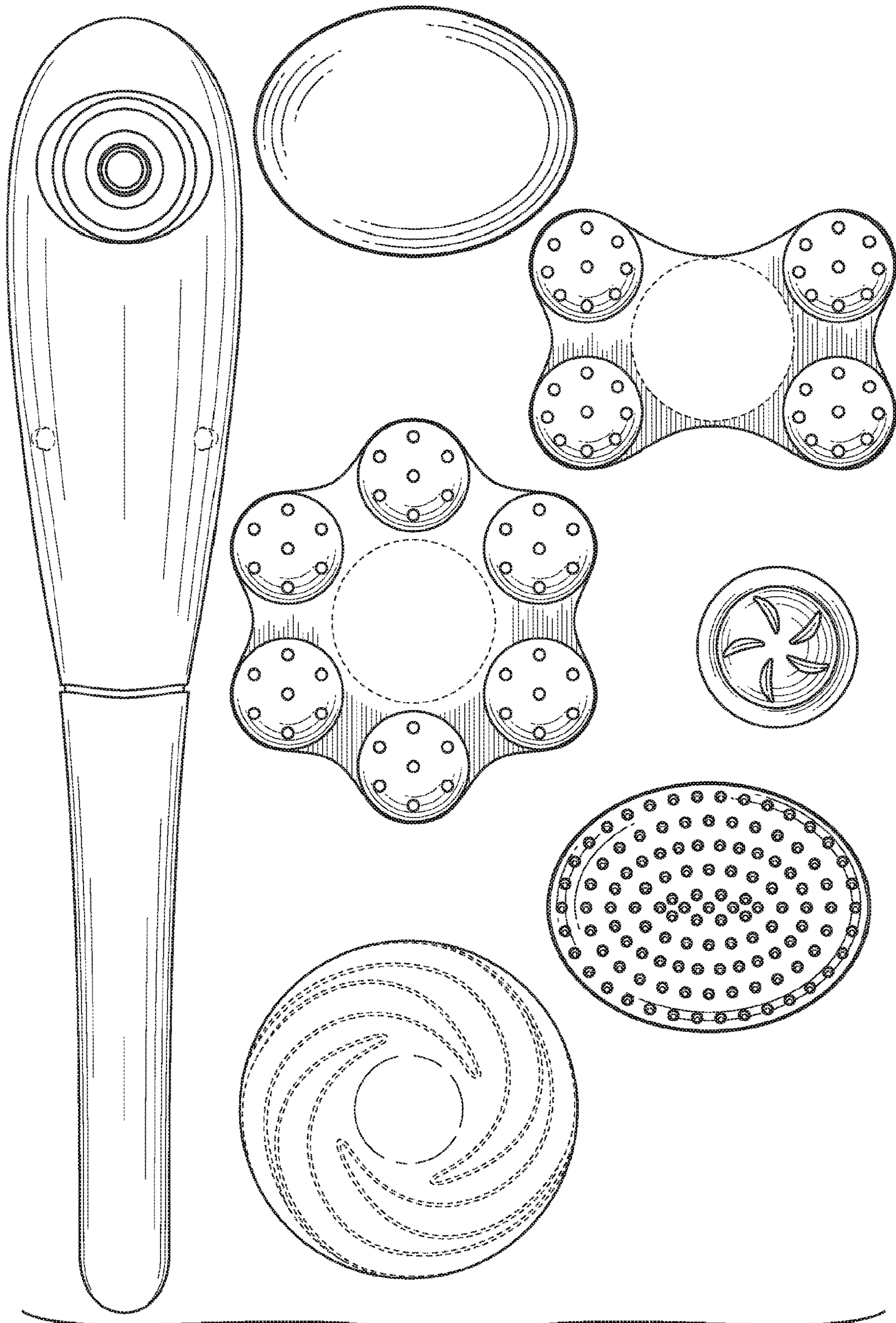


FIG. 7

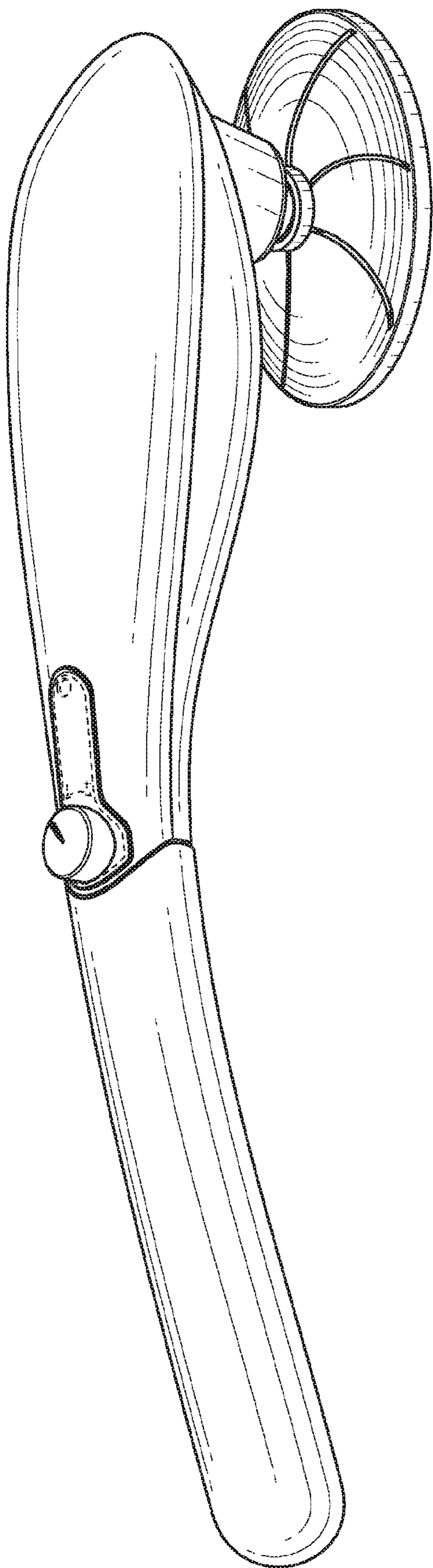


FIG. 8

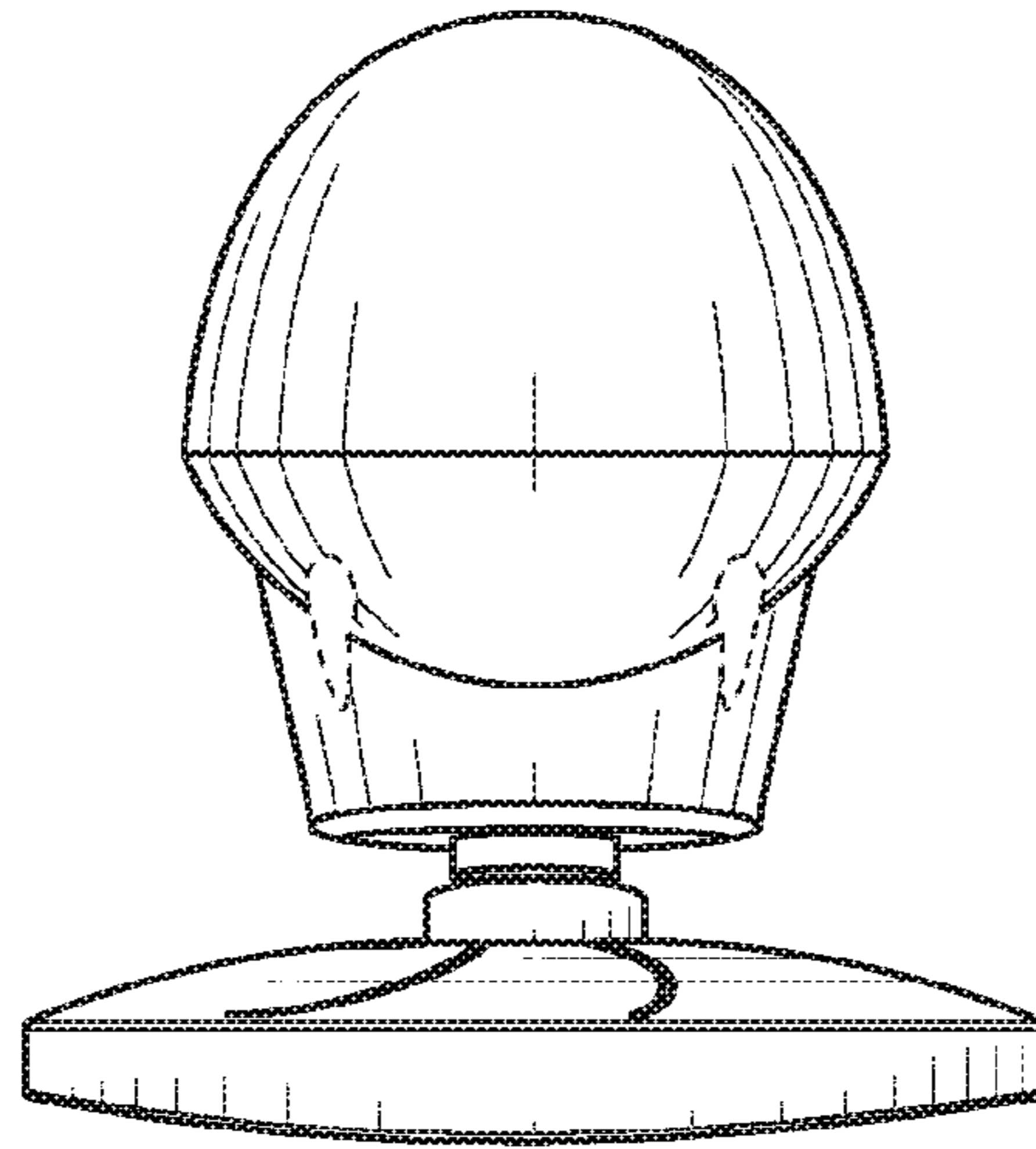


FIG. 9

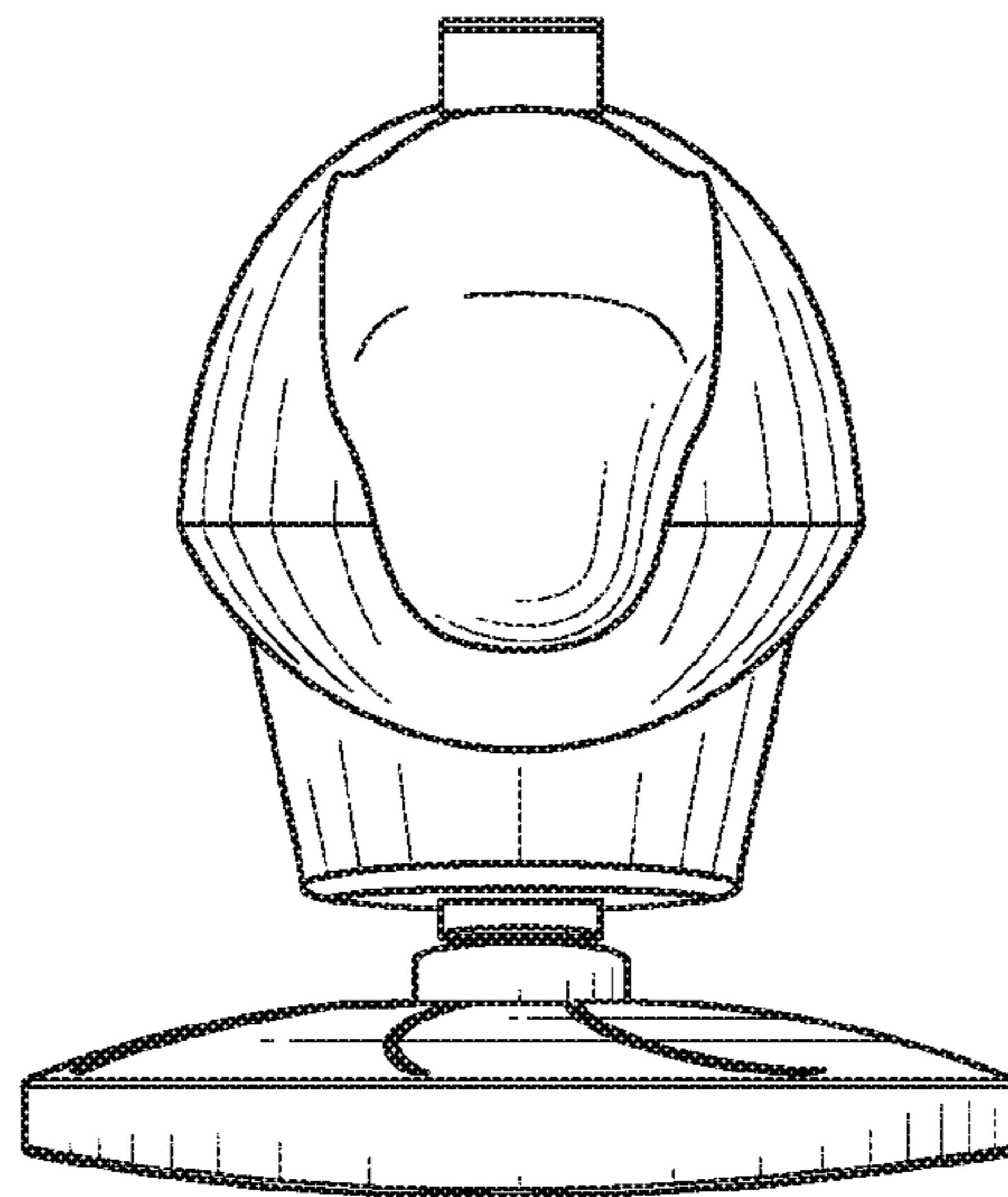


FIG. 10

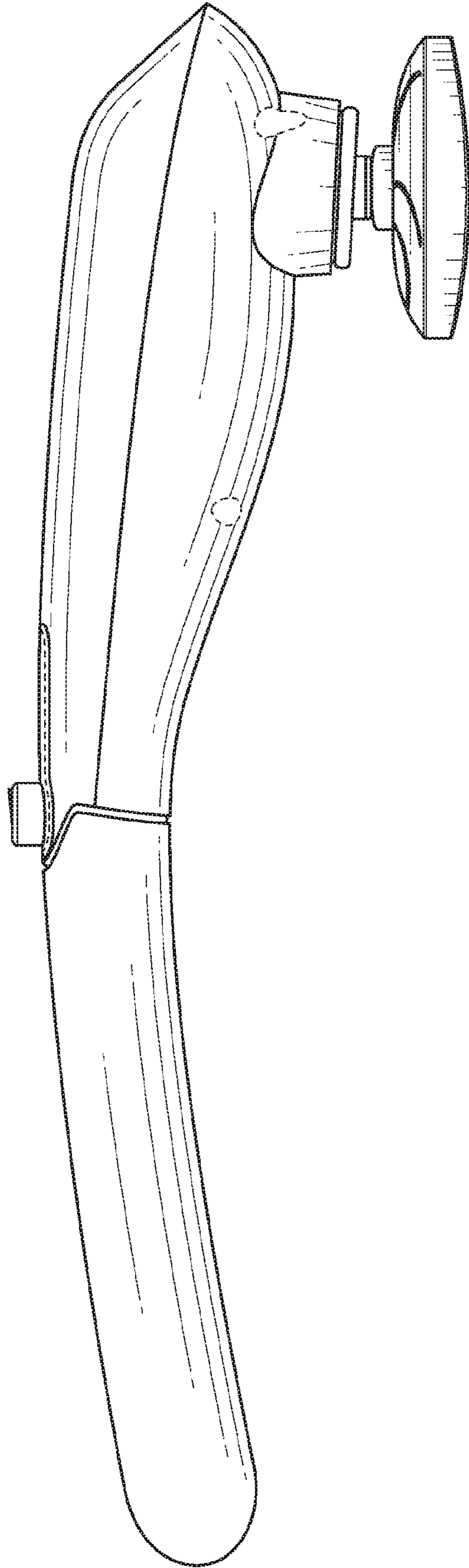


FIG. 11

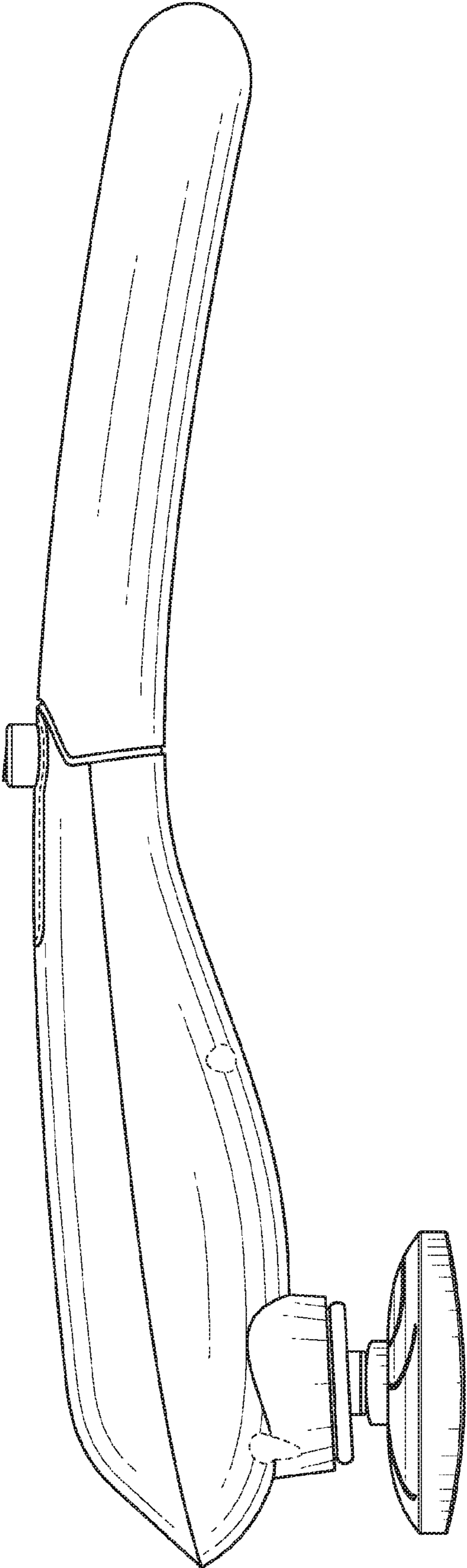


FIG. 12

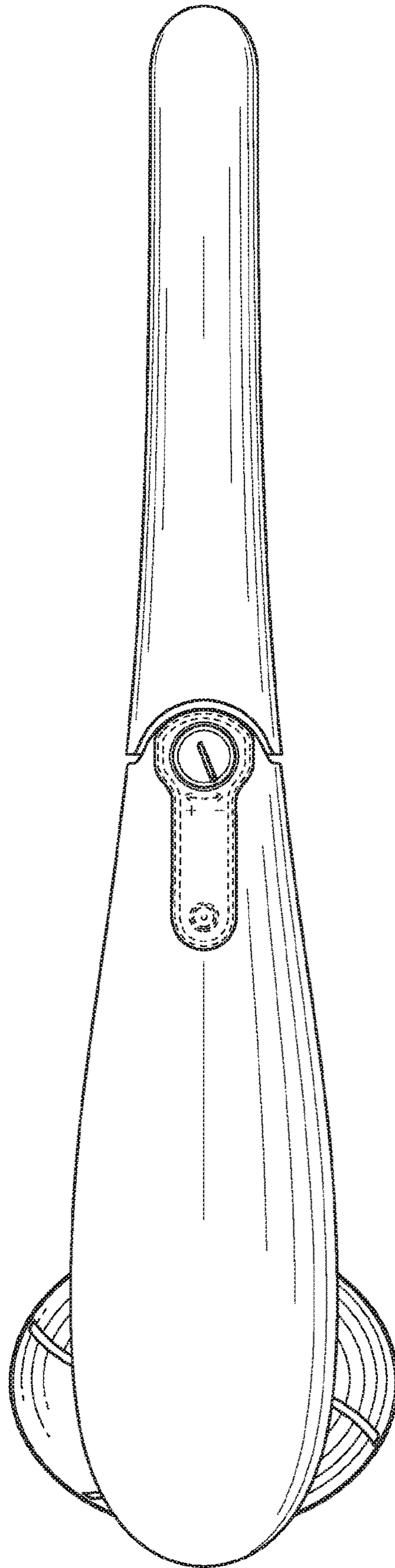


FIG. 13

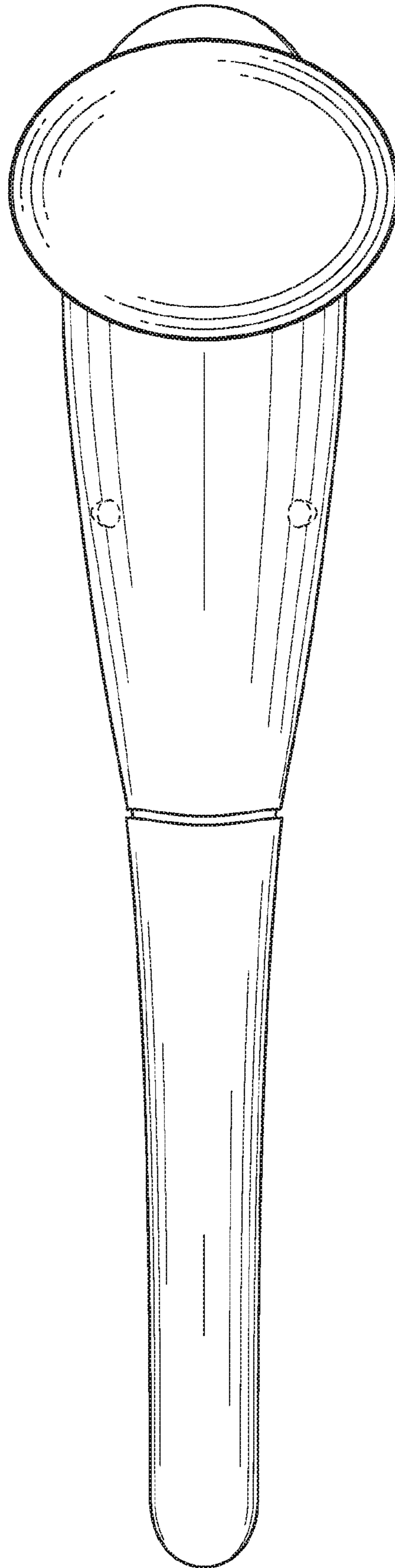


FIG. 14

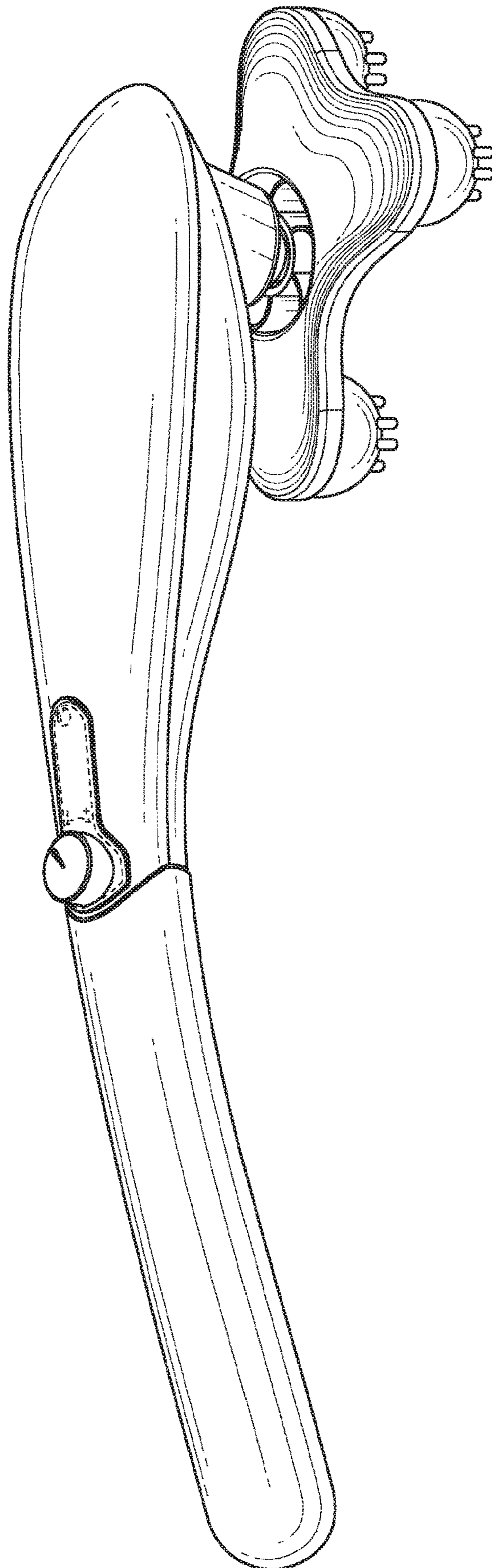


FIG. 15

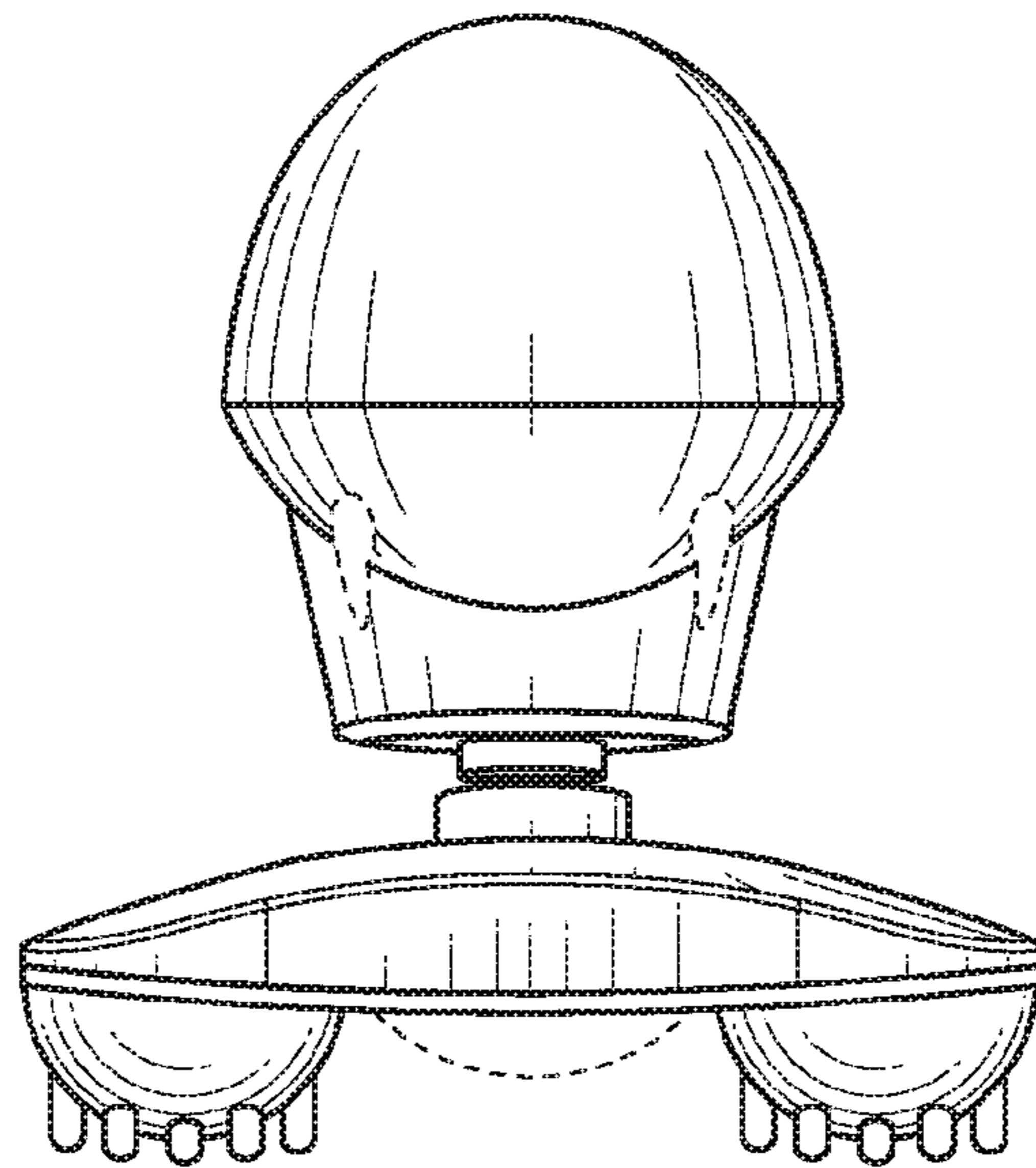


FIG. 16

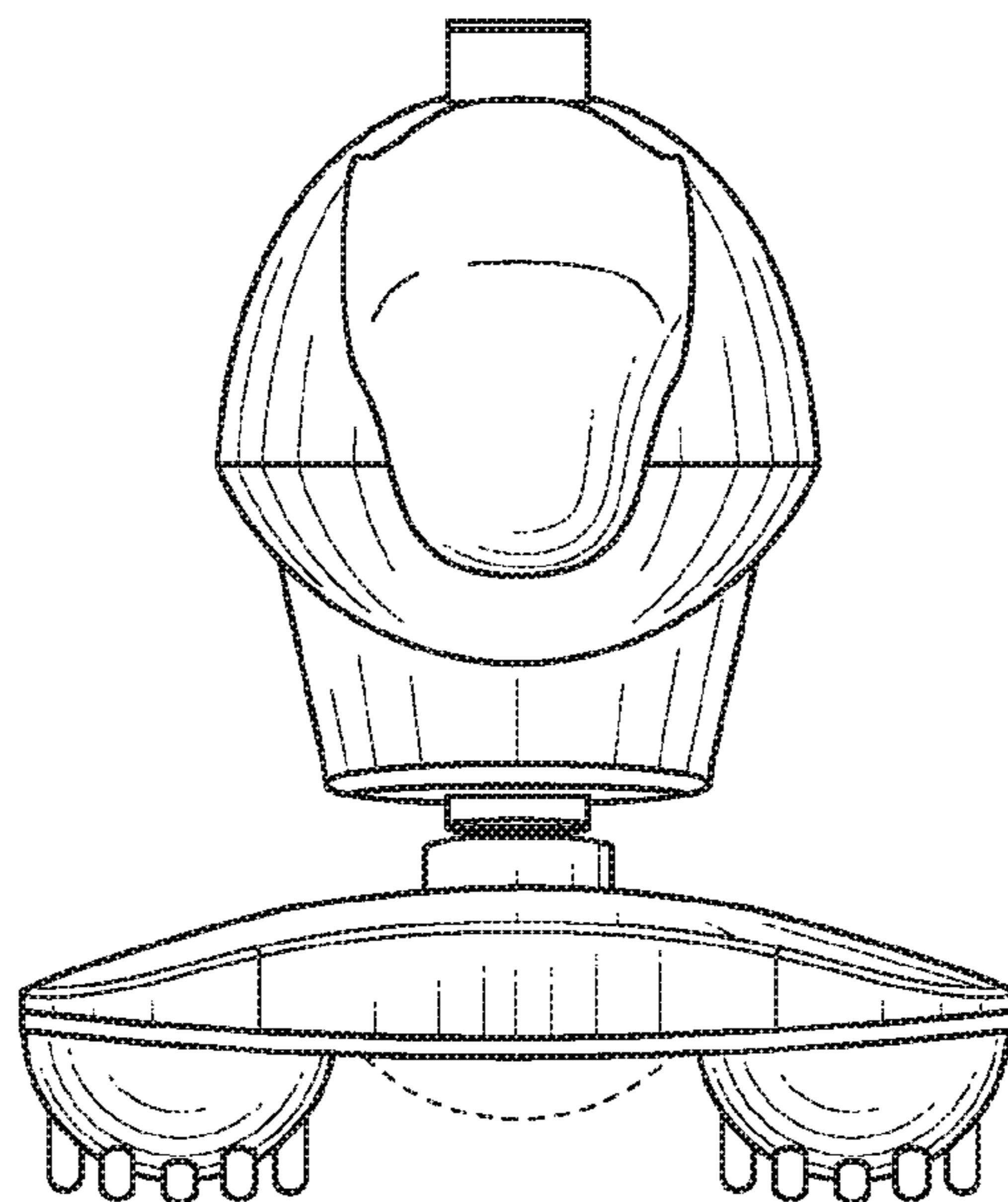


FIG. 17

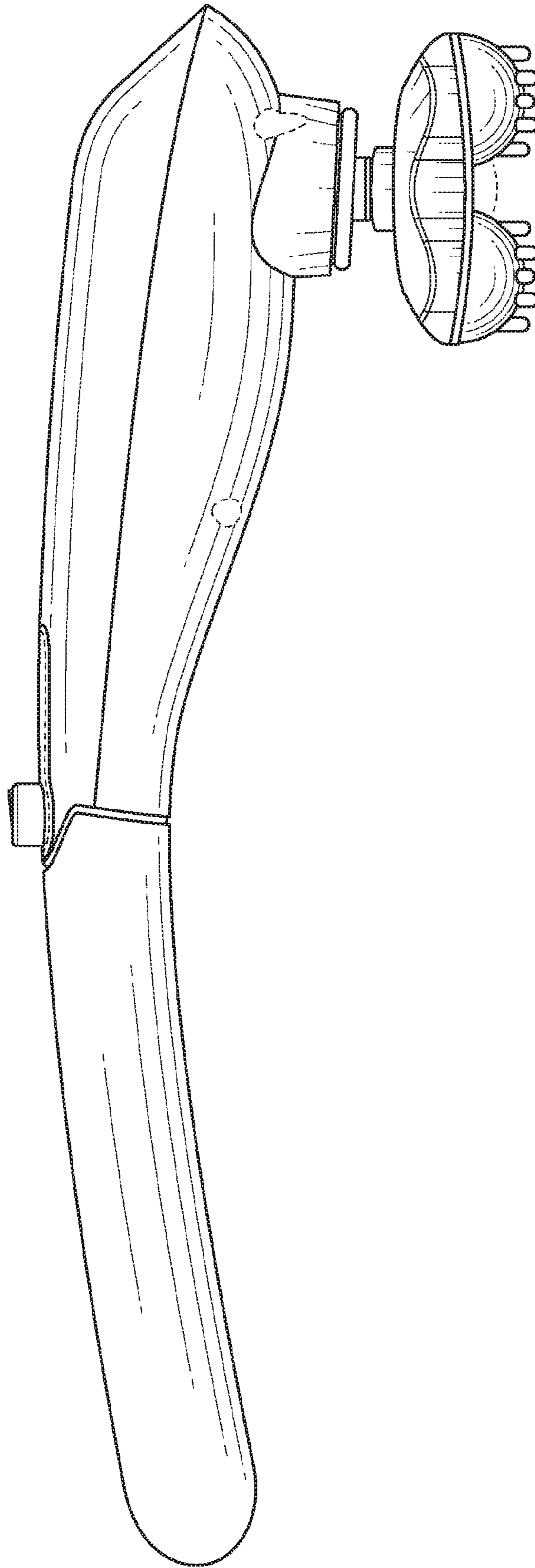


FIG. 18

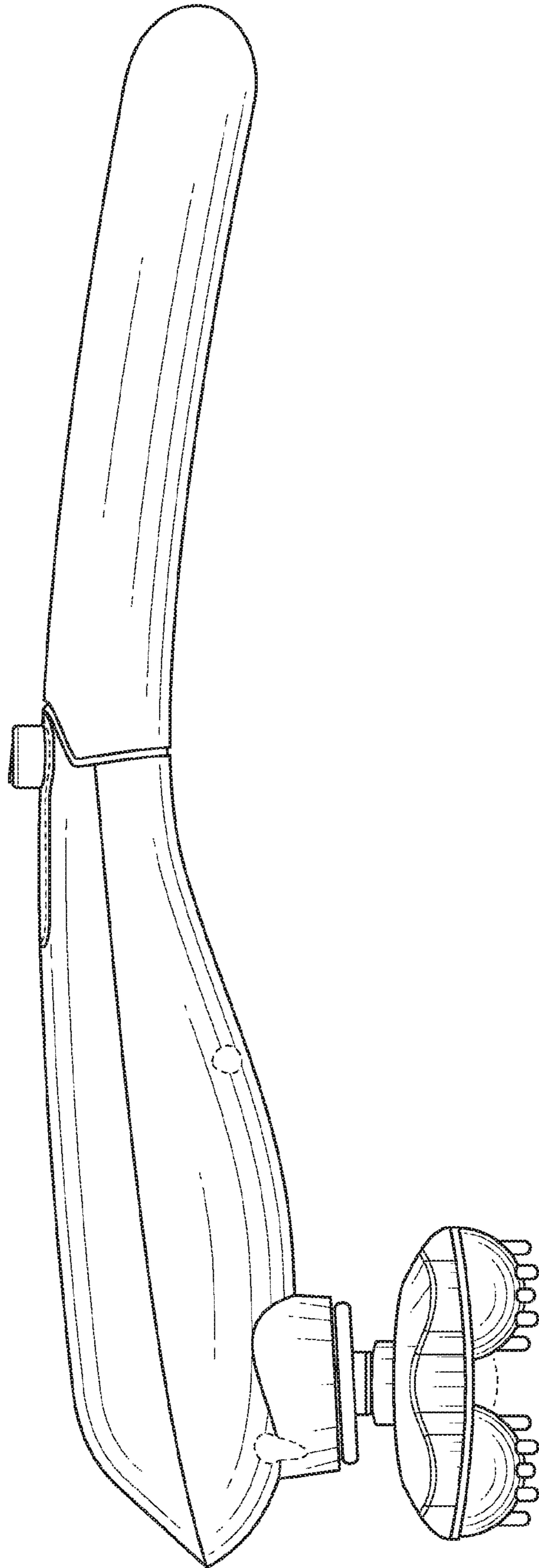


FIG. 19

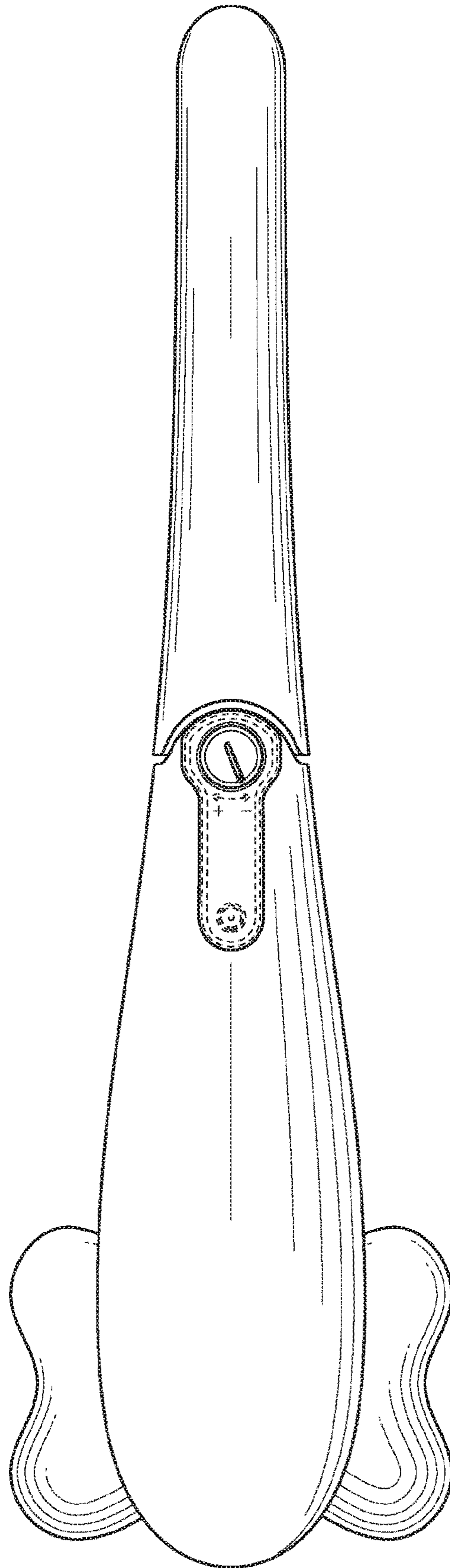


FIG. 20

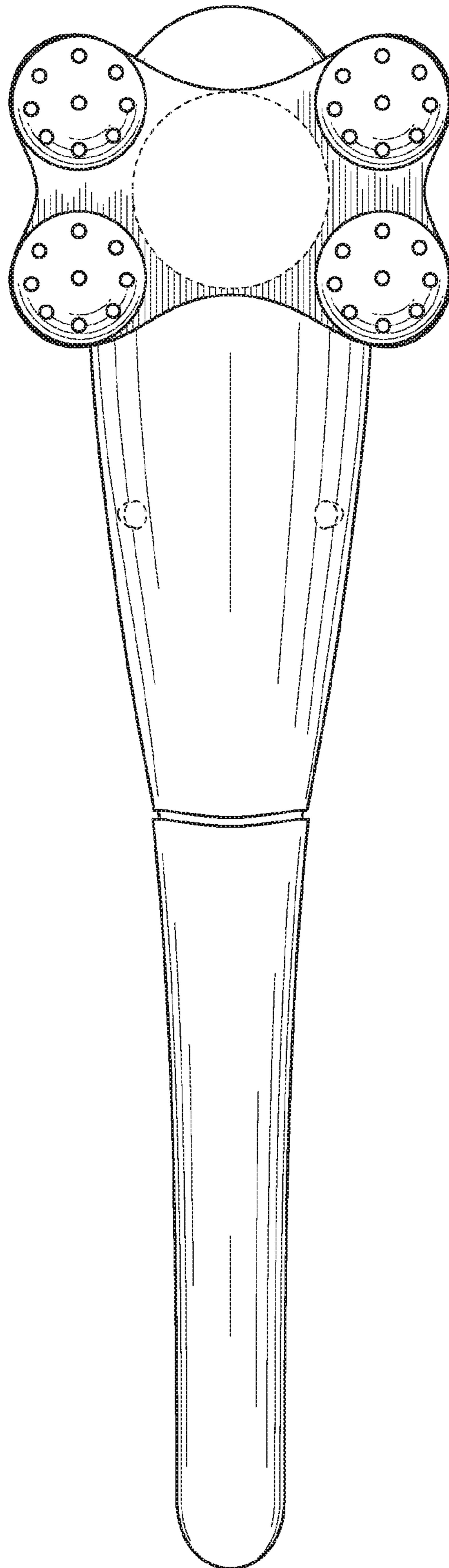


FIG. 21

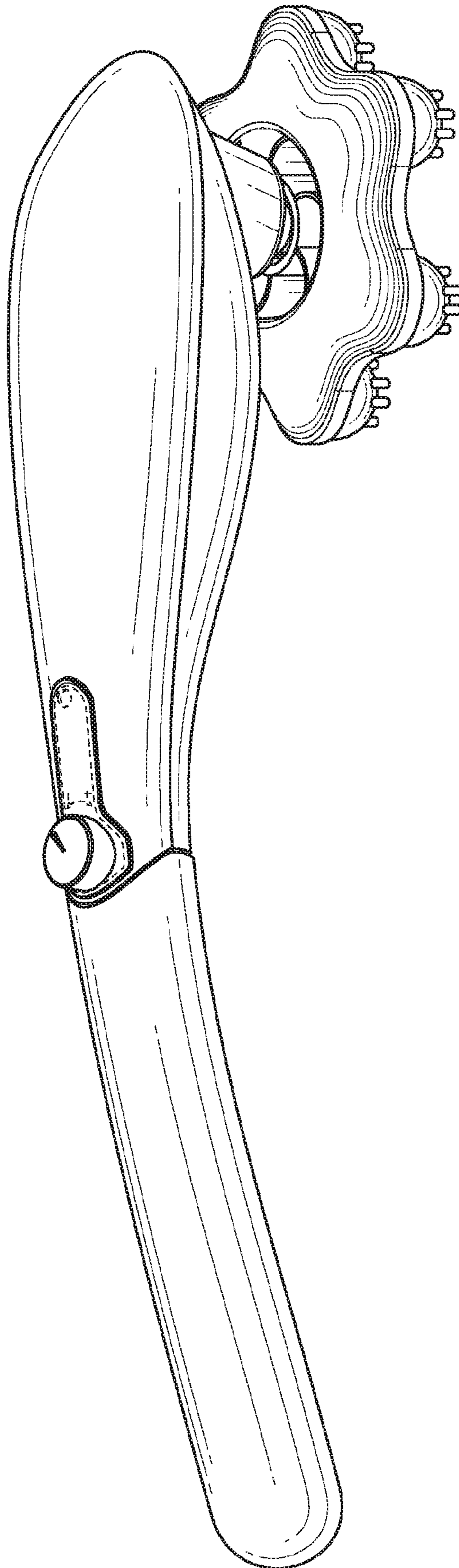


FIG. 22

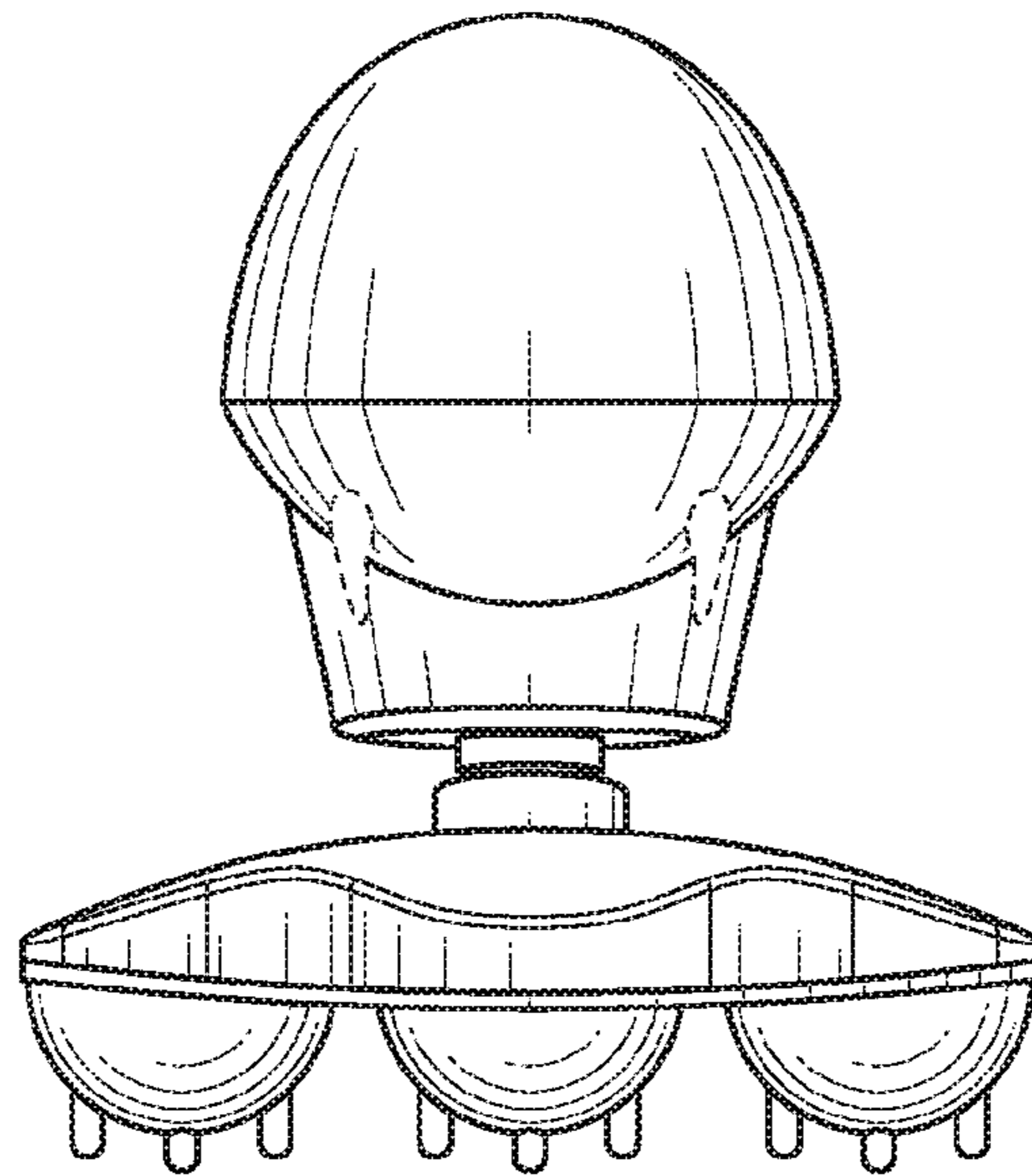


FIG. 23

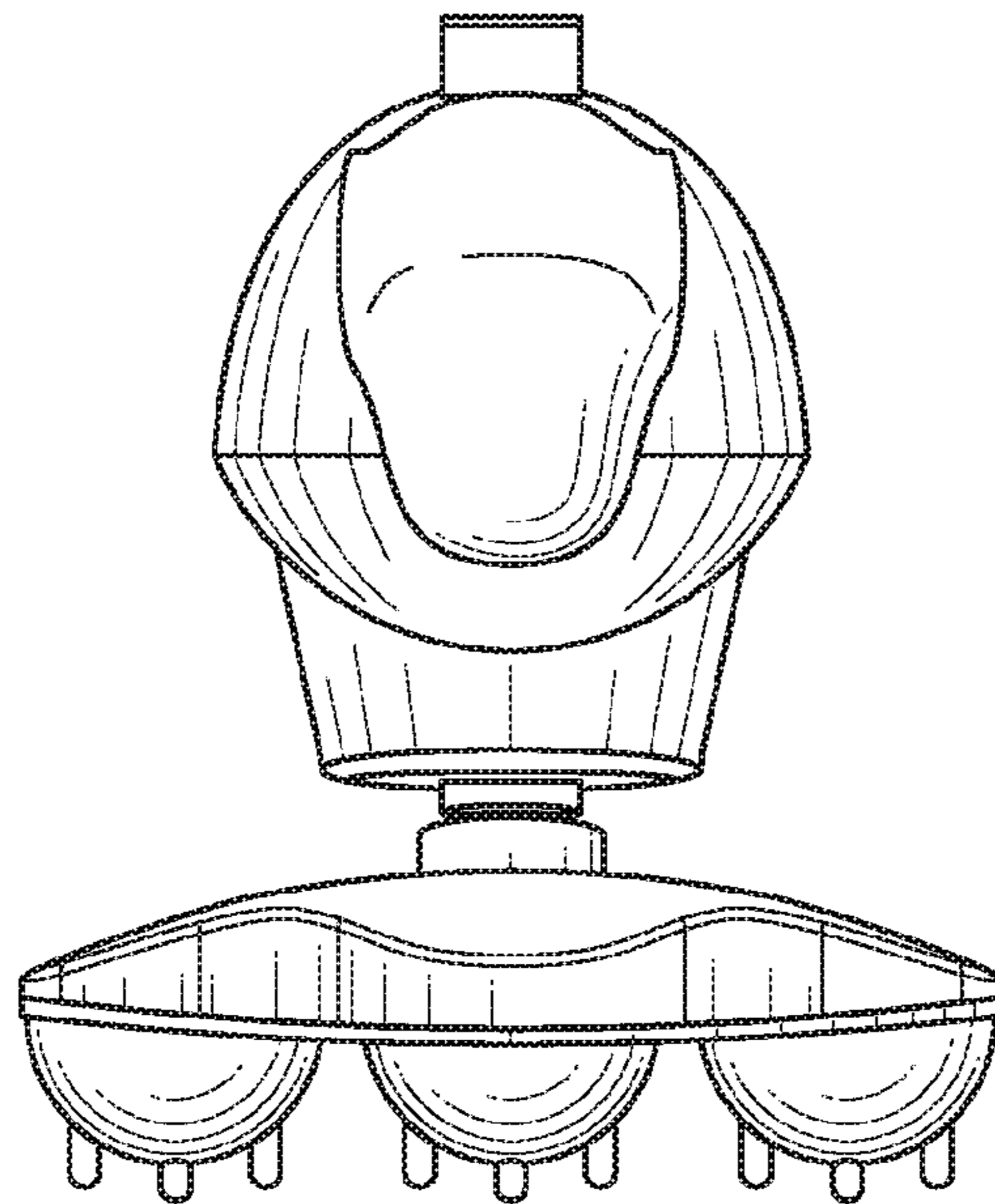


FIG. 24

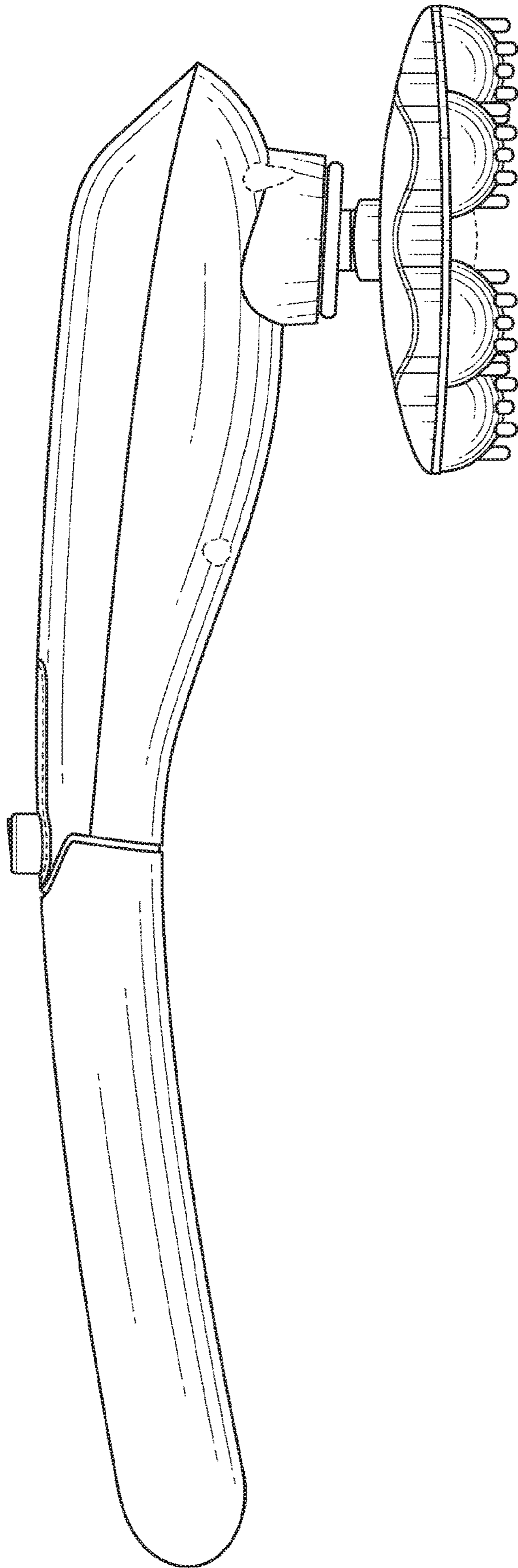


FIG. 25

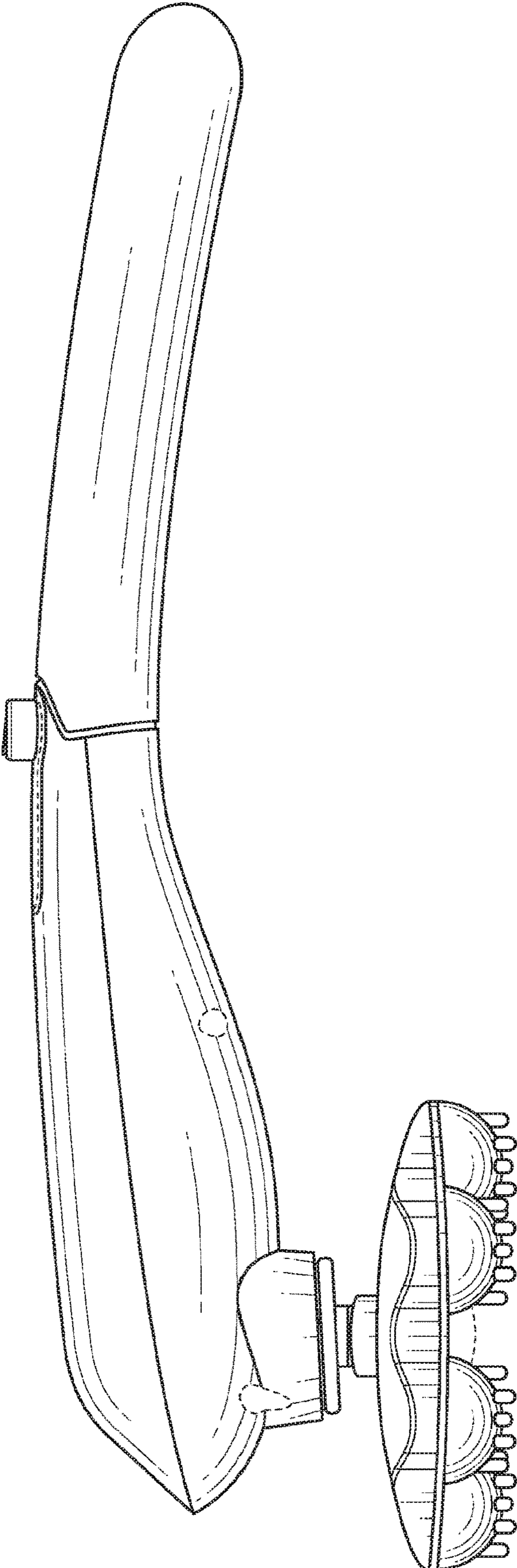


FIG. 26

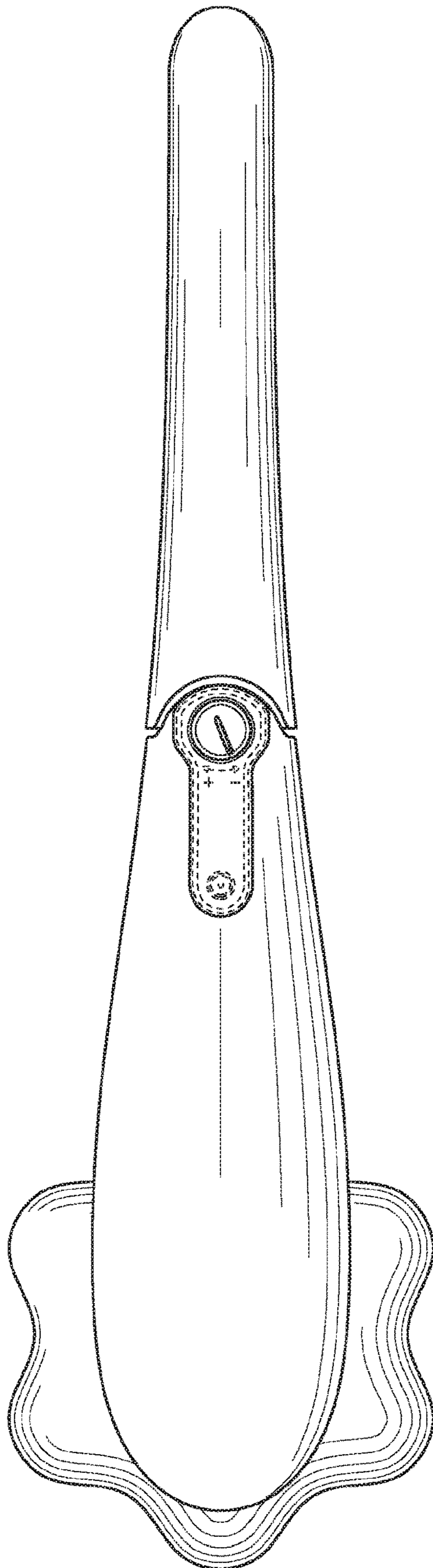


FIG. 27

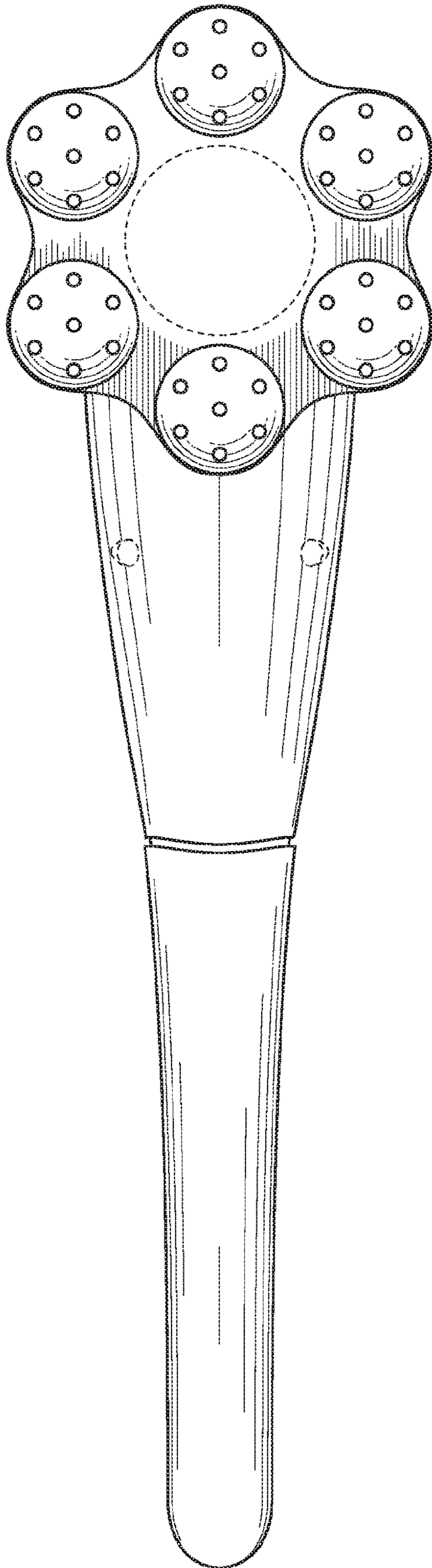


FIG. 28

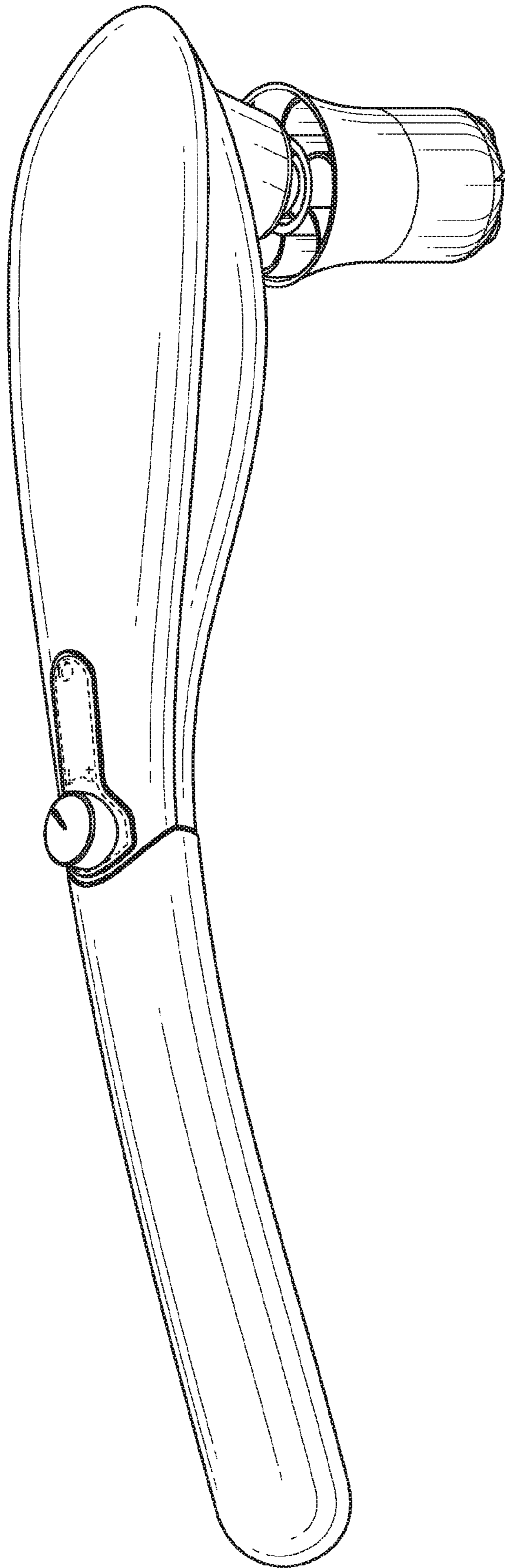


FIG. 29

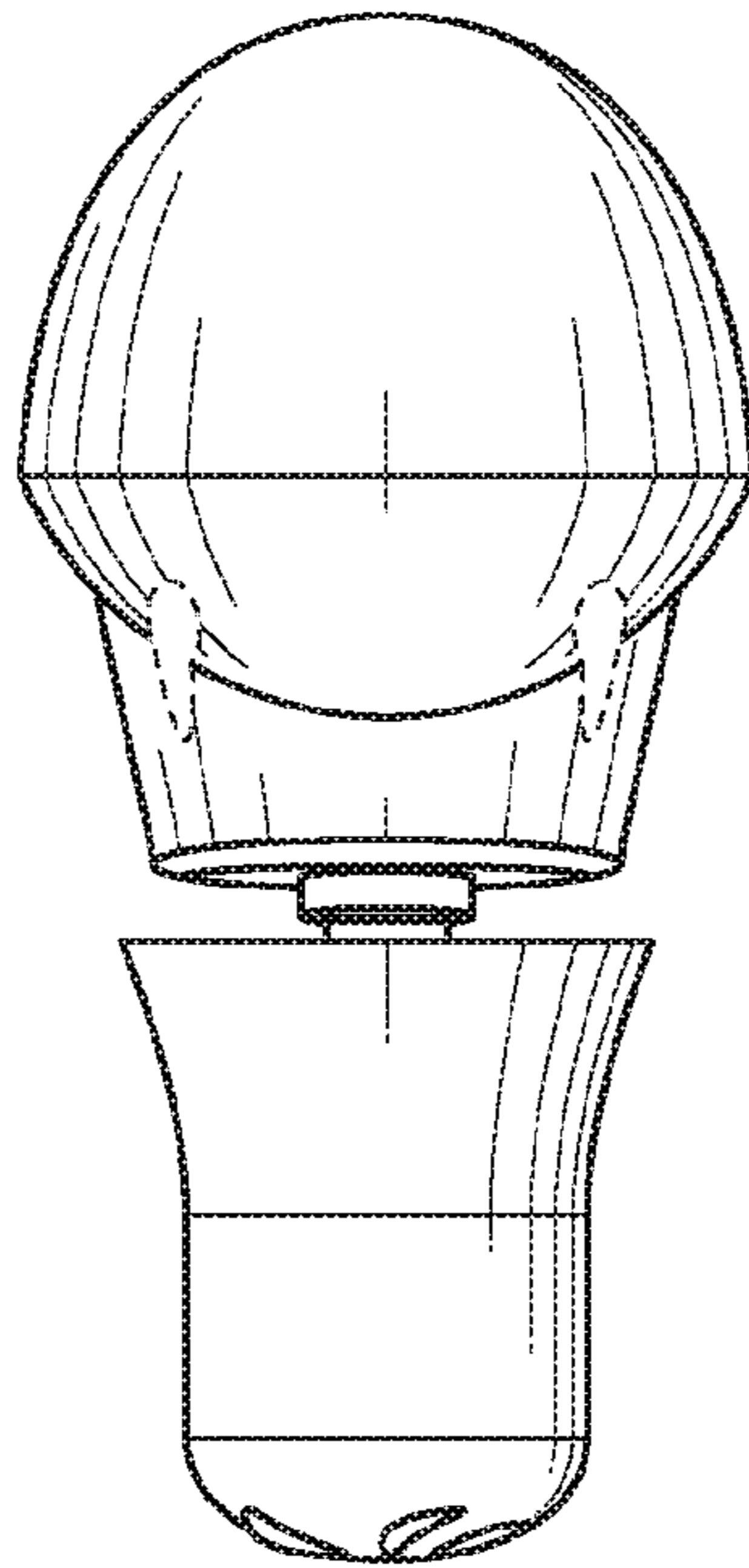


FIG. 30

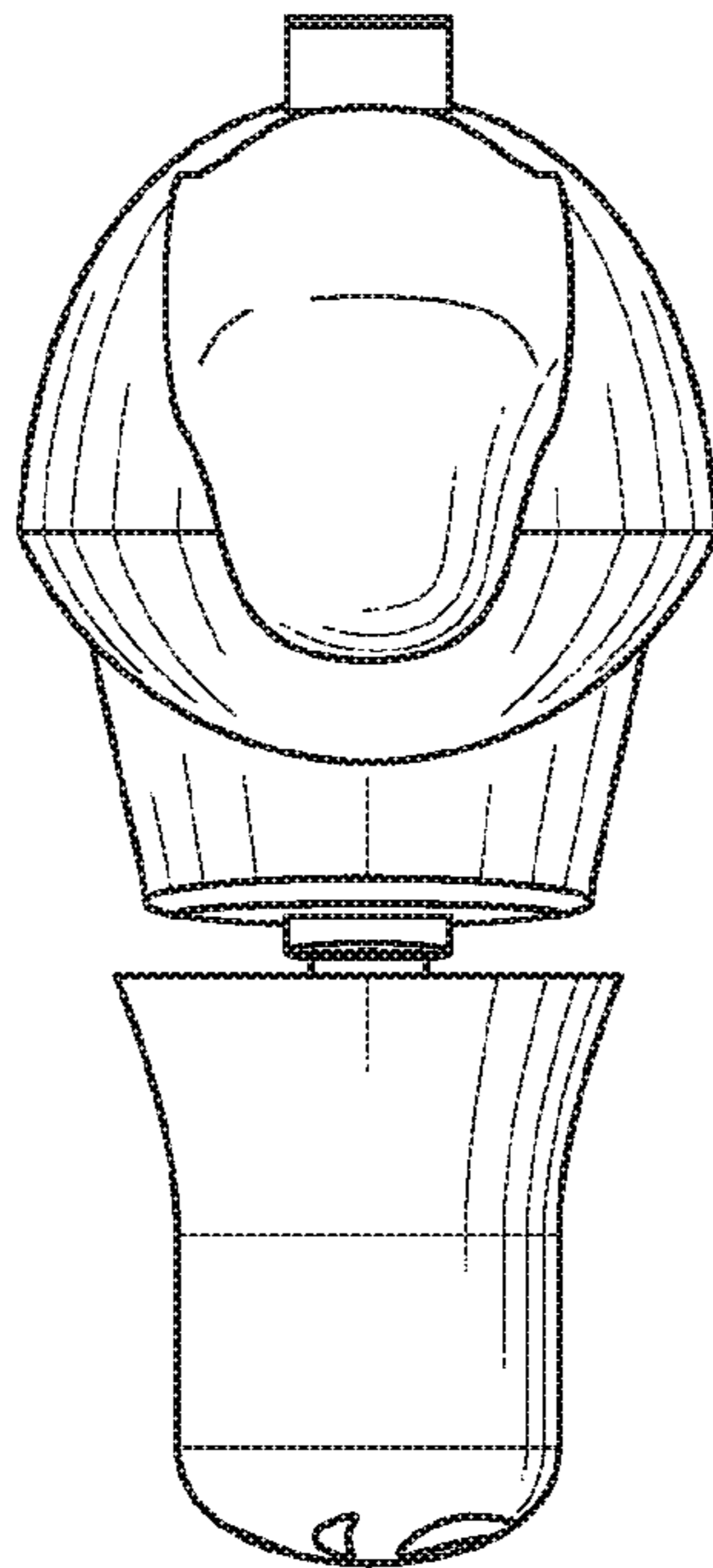


FIG. 31

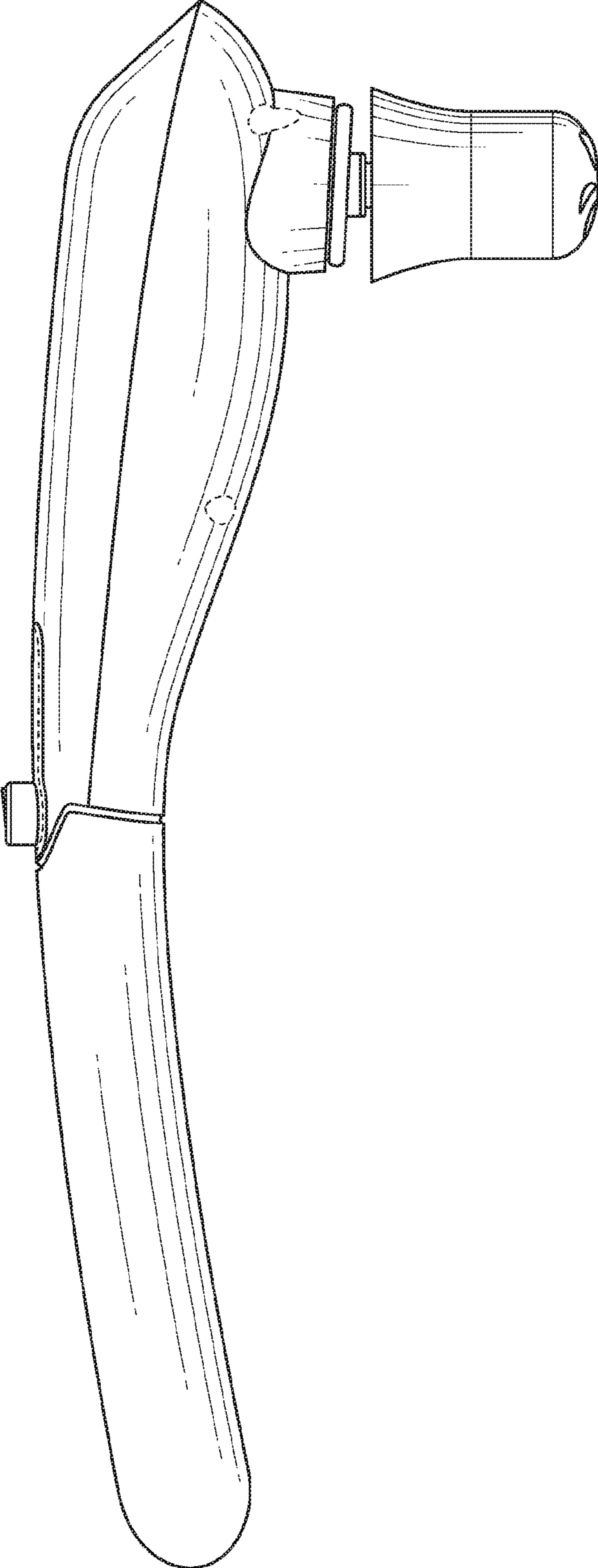


FIG. 32

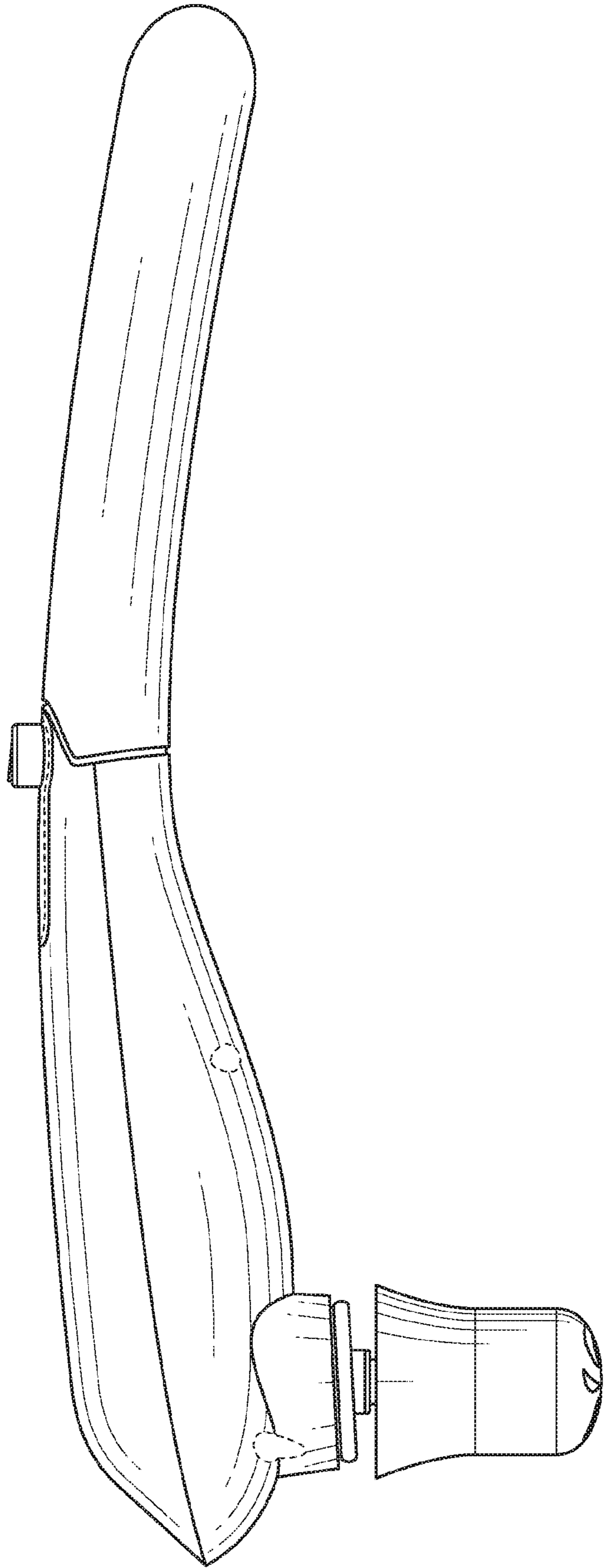


FIG. 33

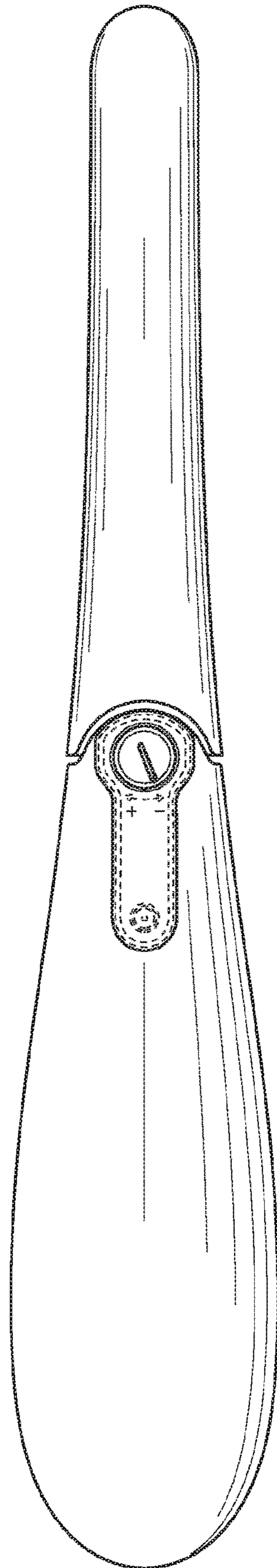


FIG. 34

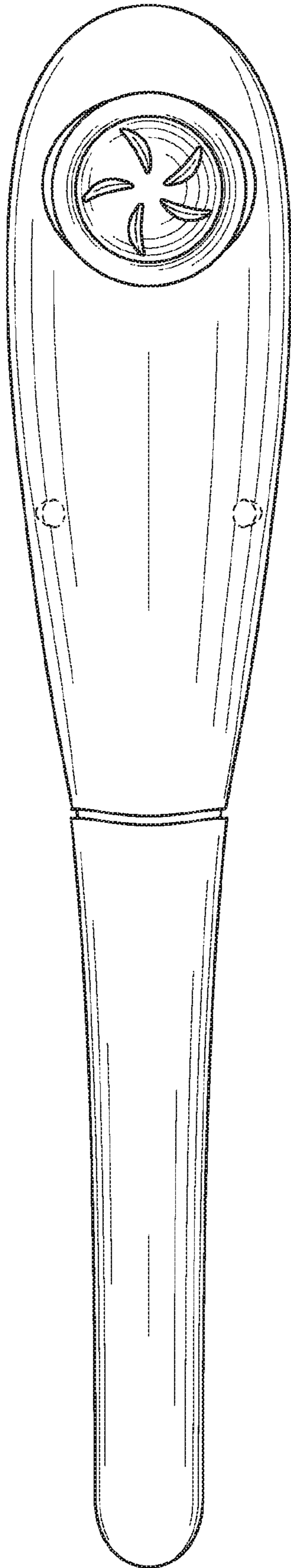


FIG. 35

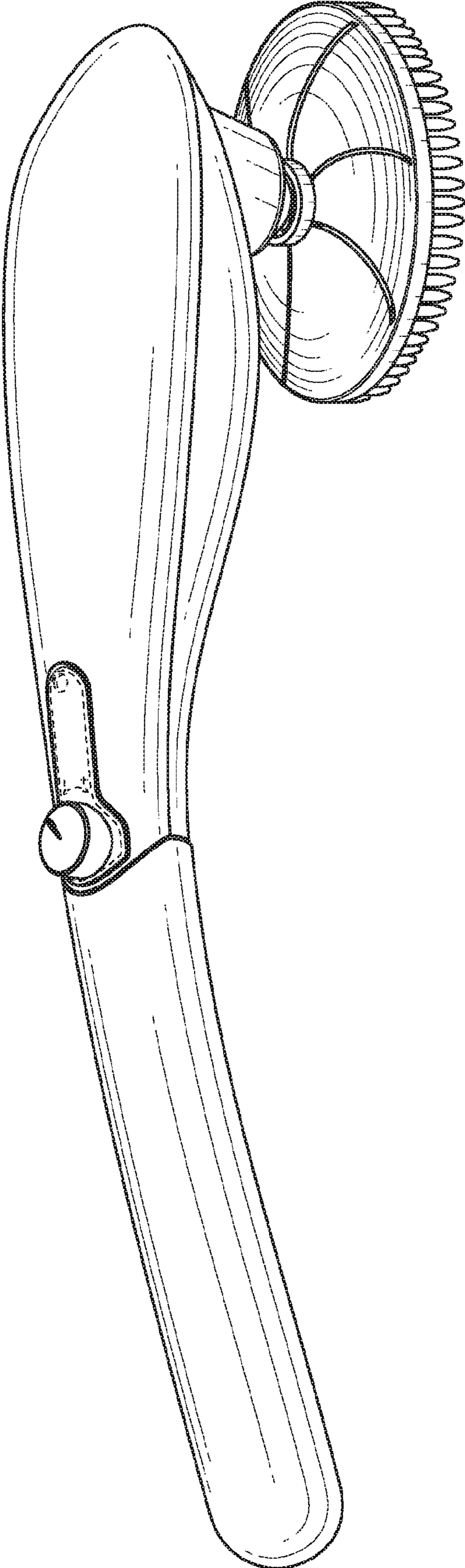


FIG. 36

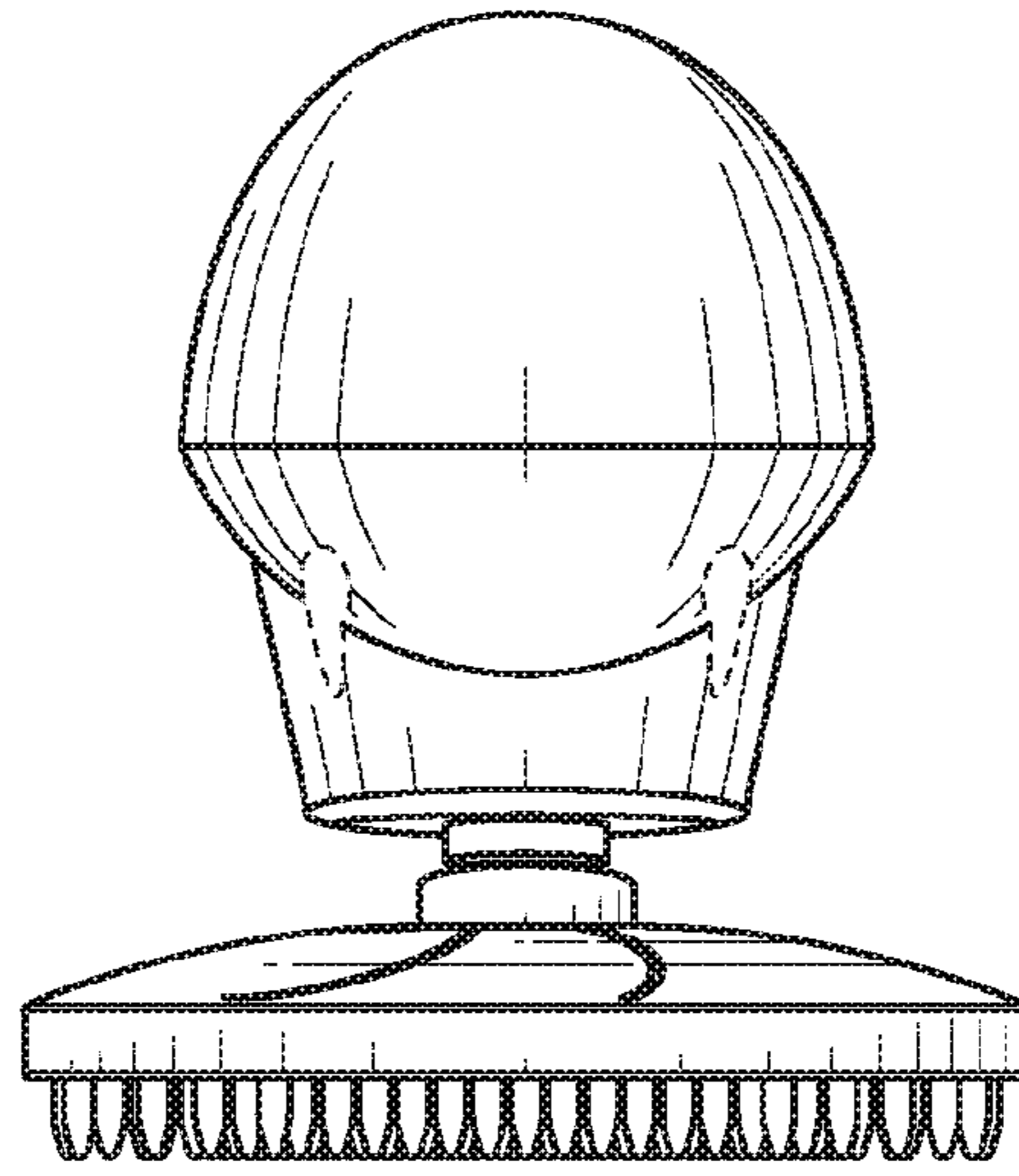


FIG. 37

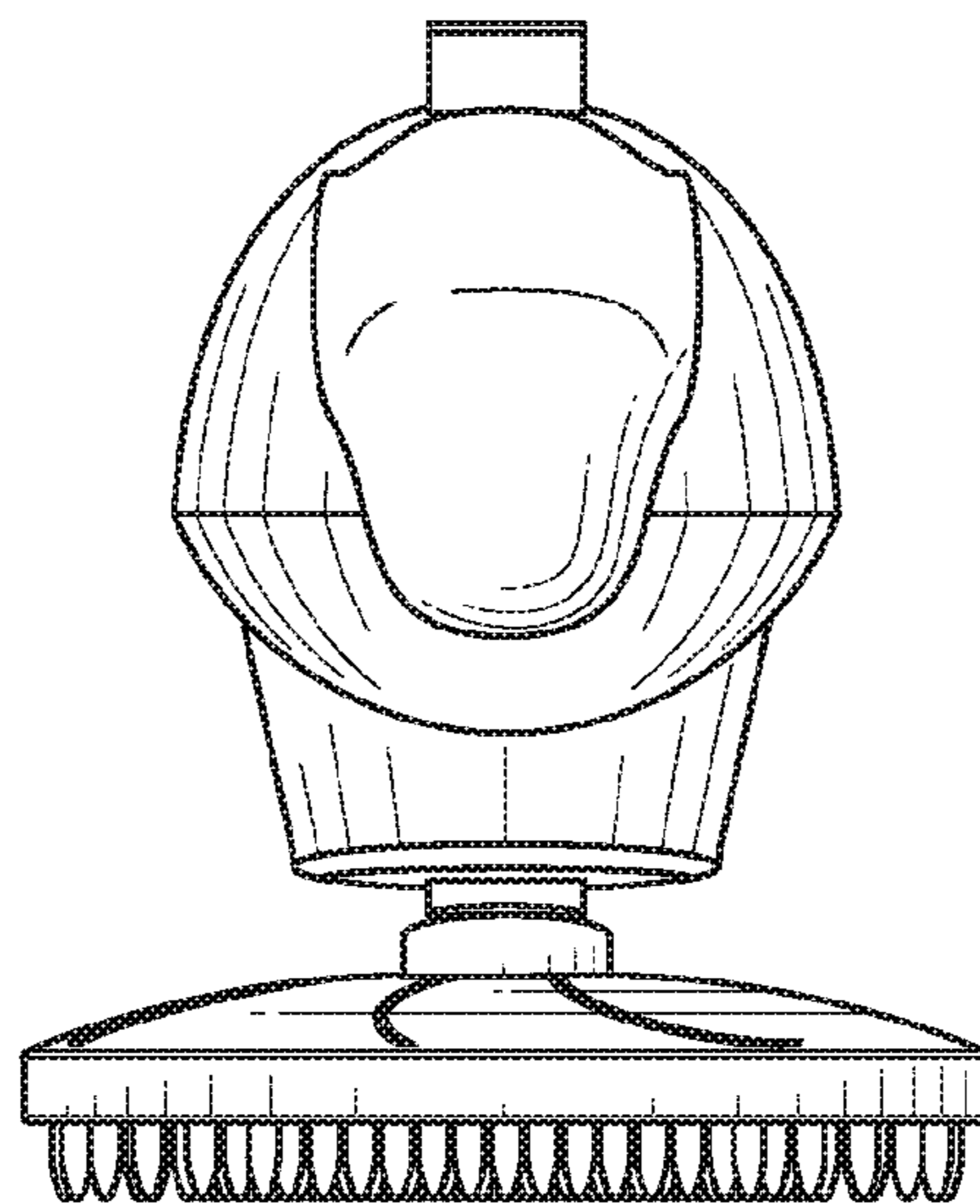


FIG. 38

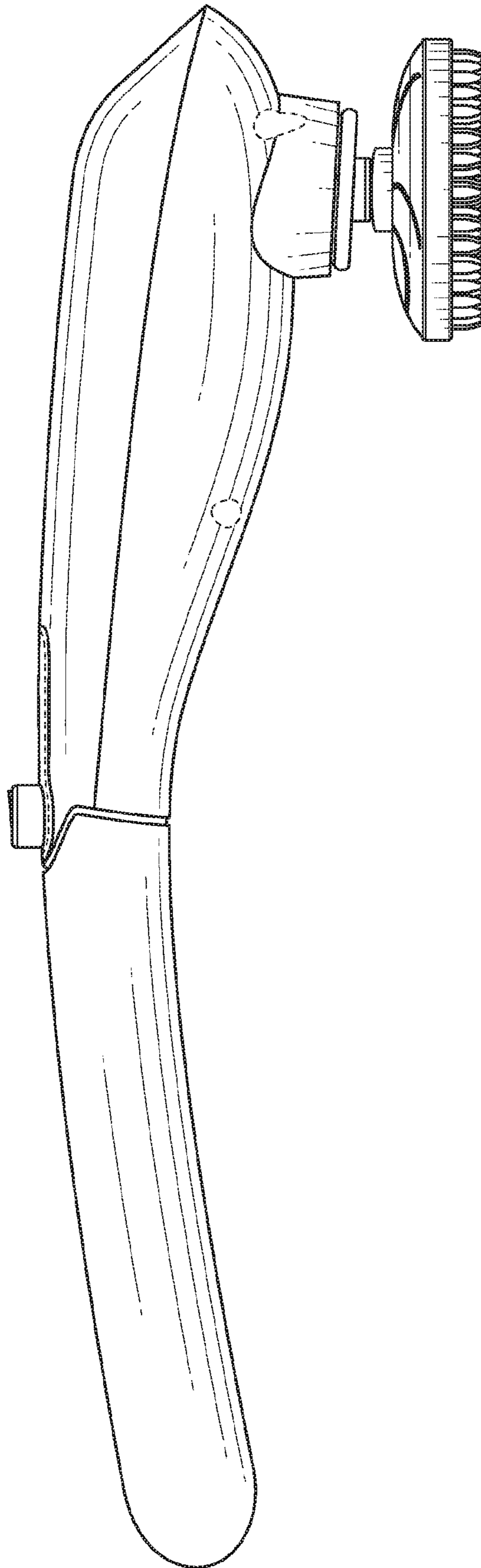


FIG. 39

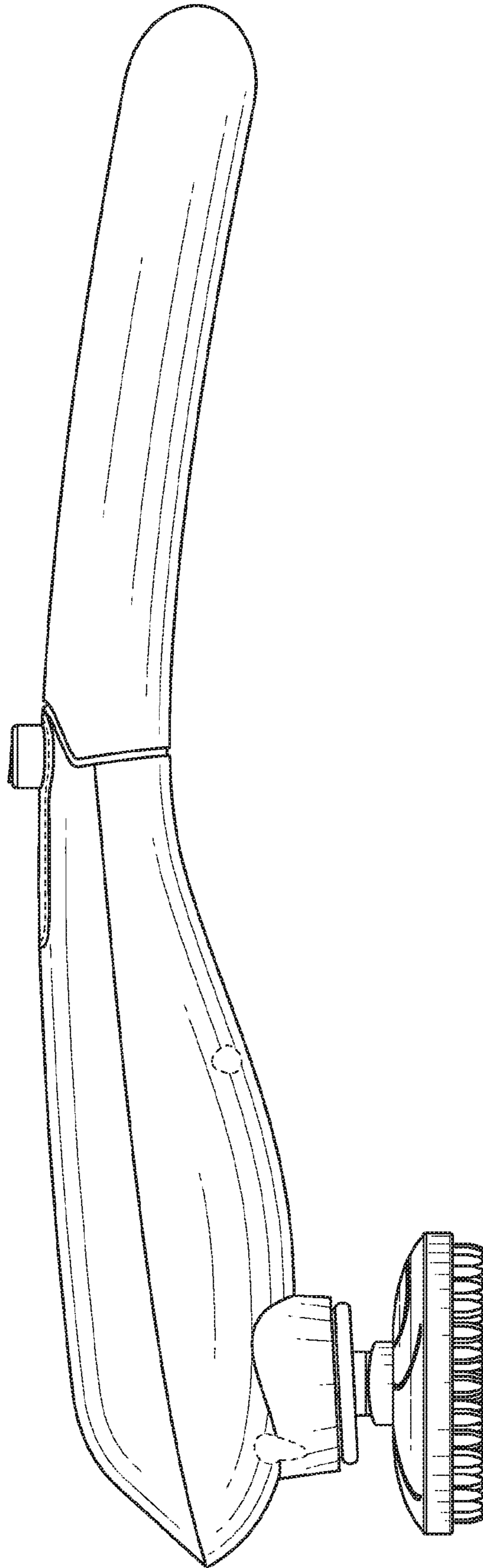


FIG. 40

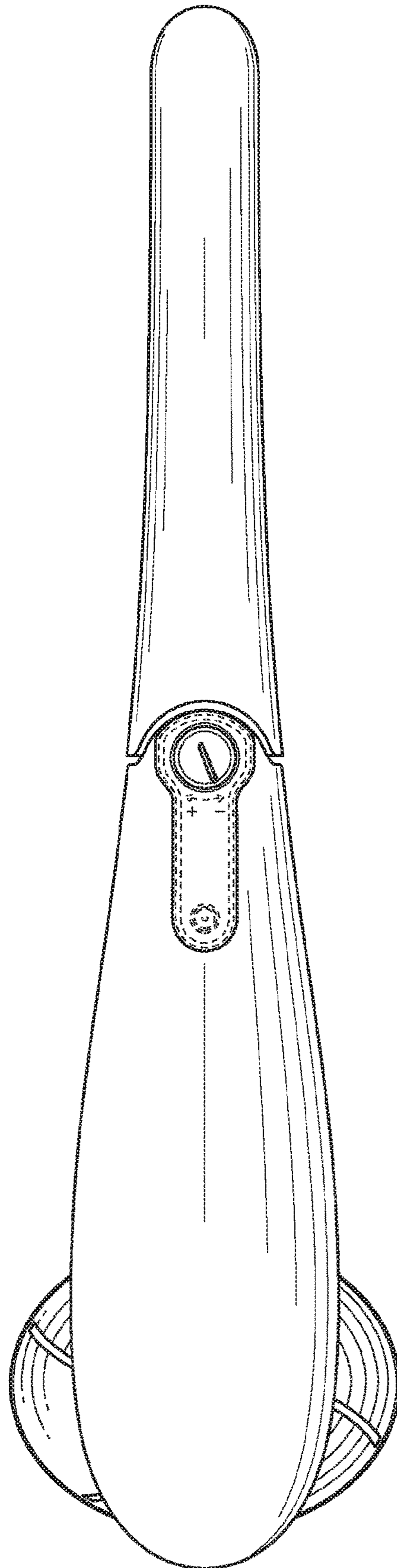


FIG. 41

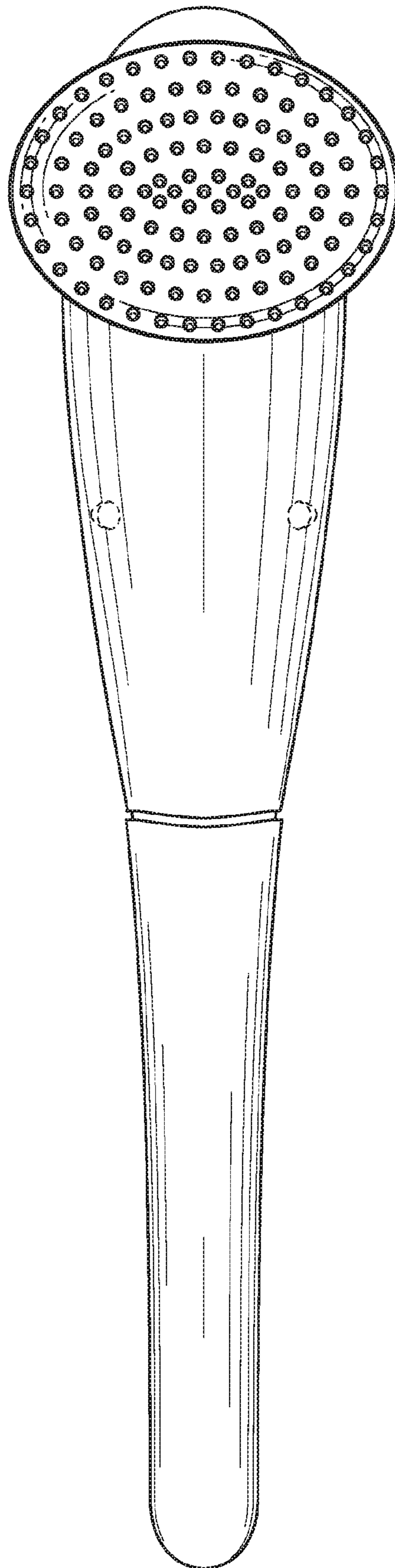


FIG. 42

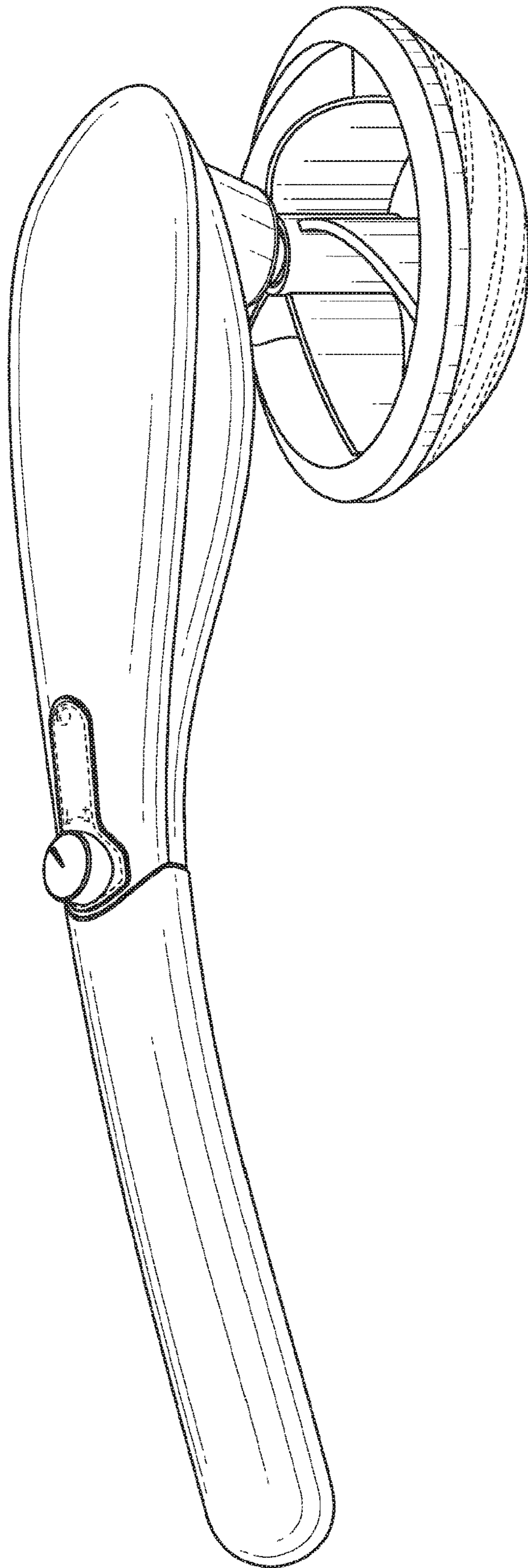


FIG. 43

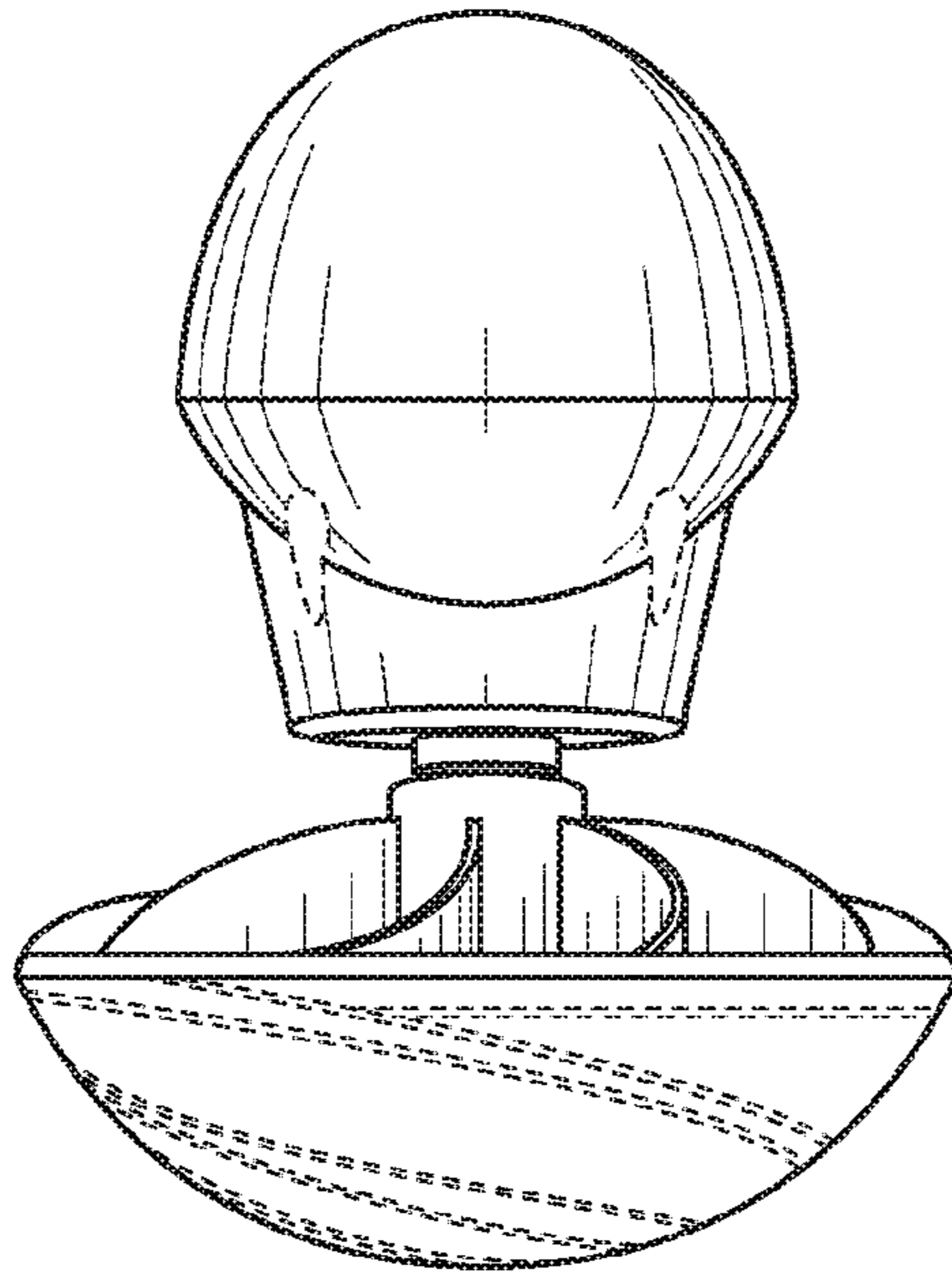


FIG. 44

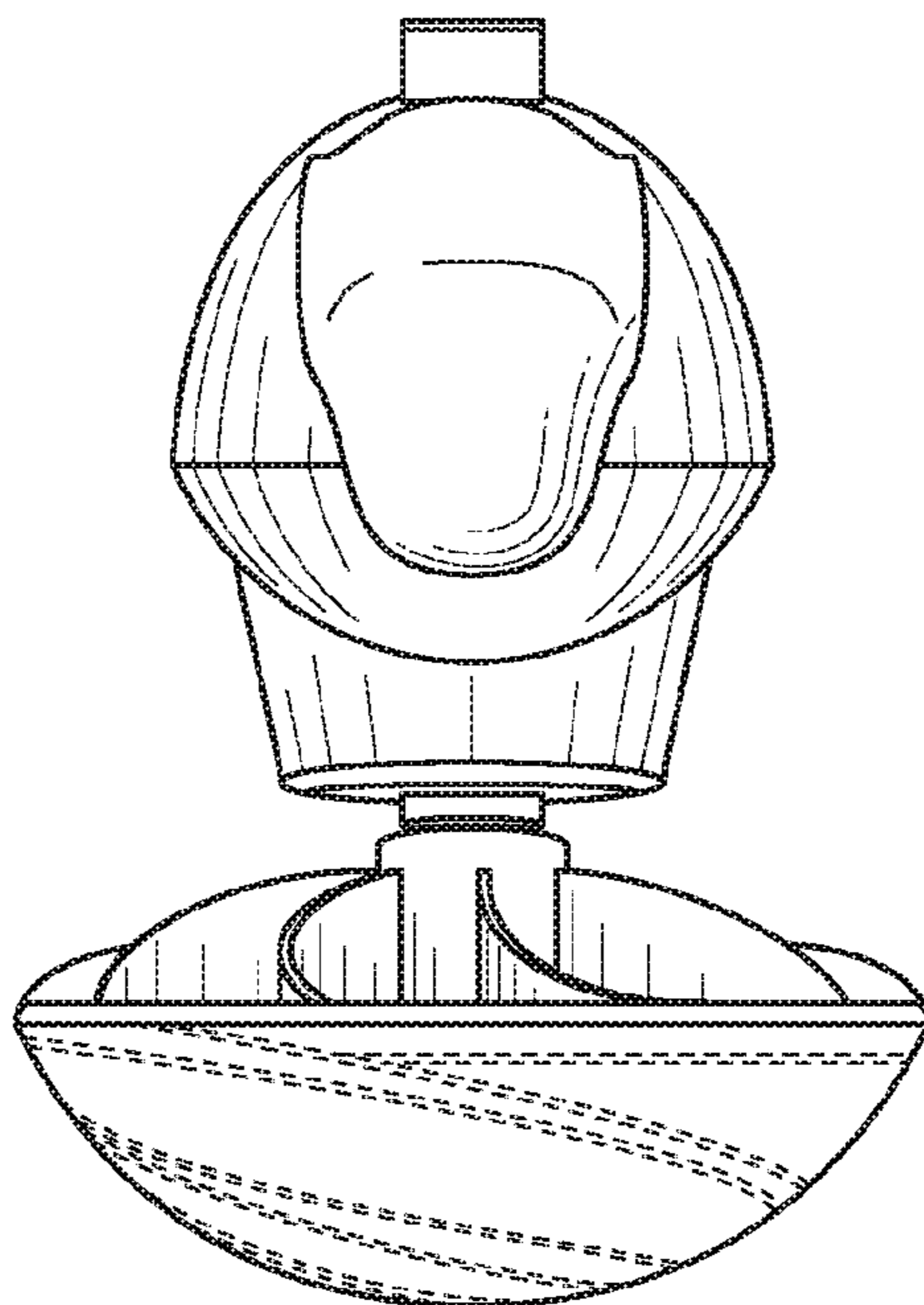


FIG. 45

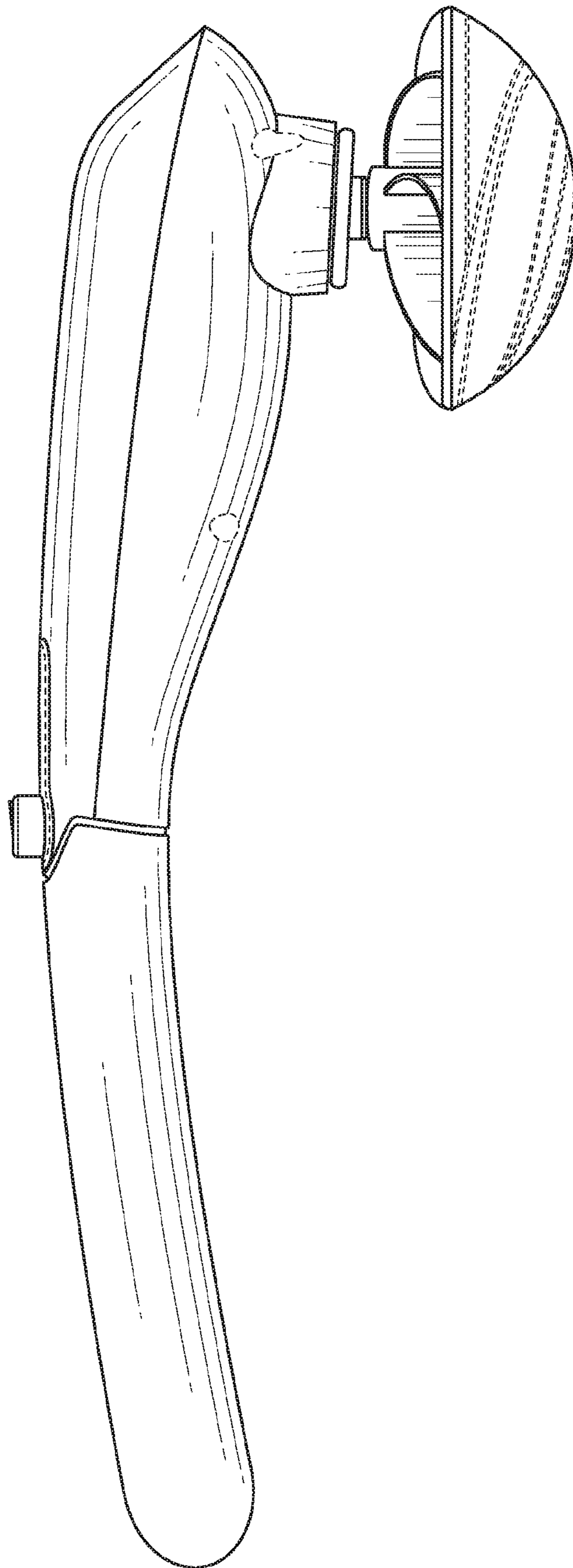


FIG. 46

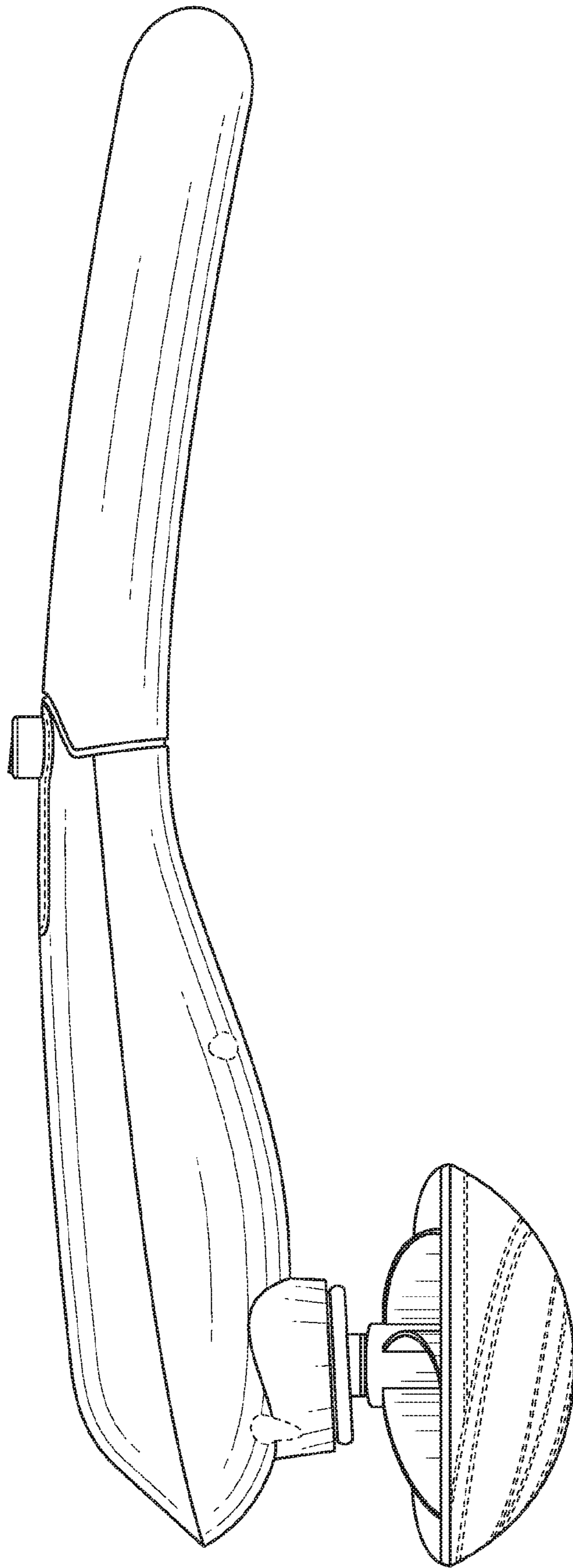


FIG. 47

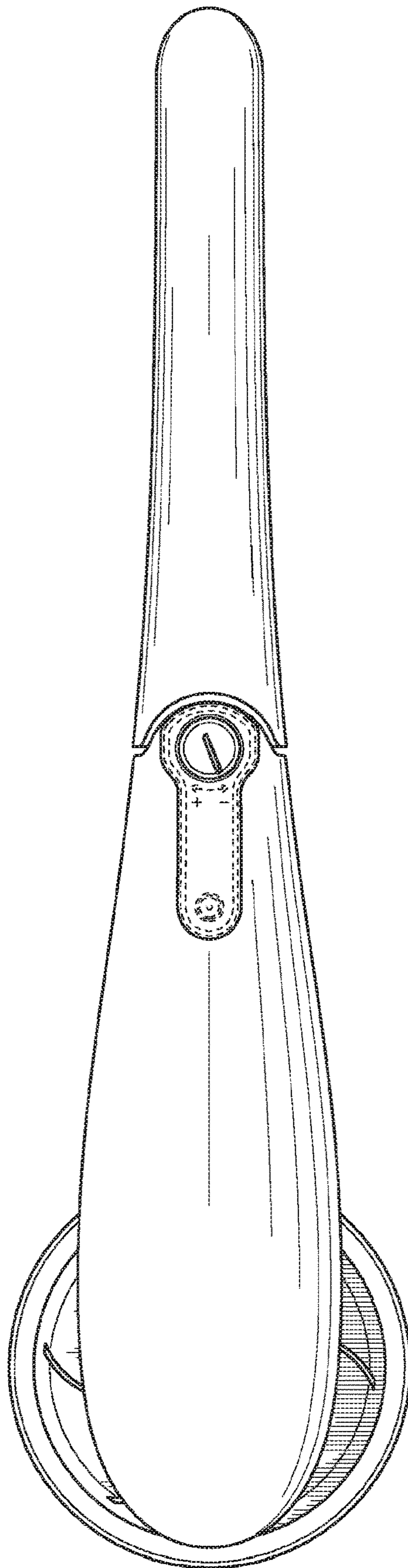


FIG. 48

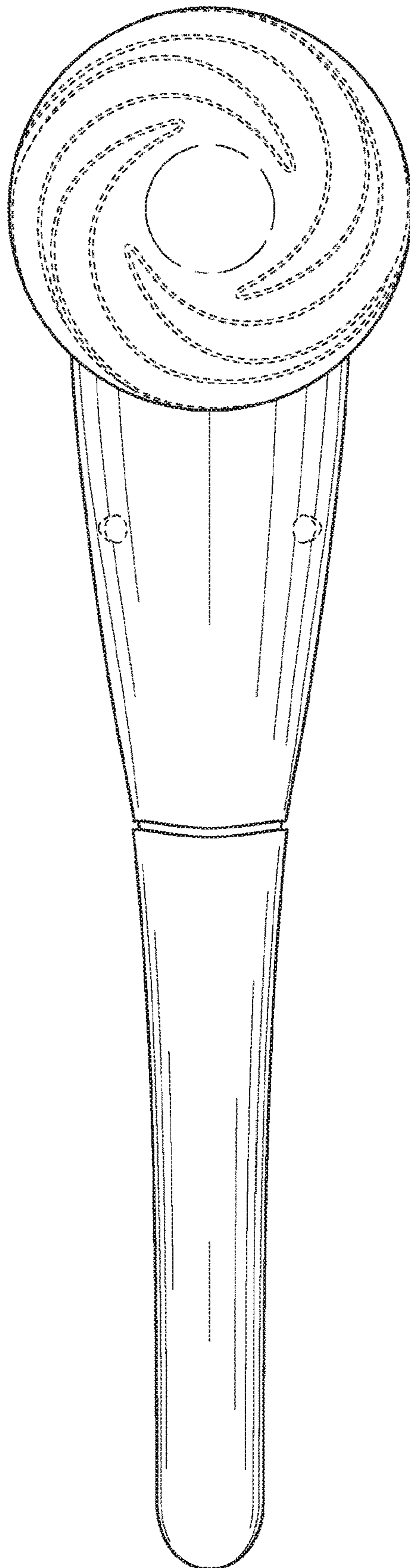


FIG. 49

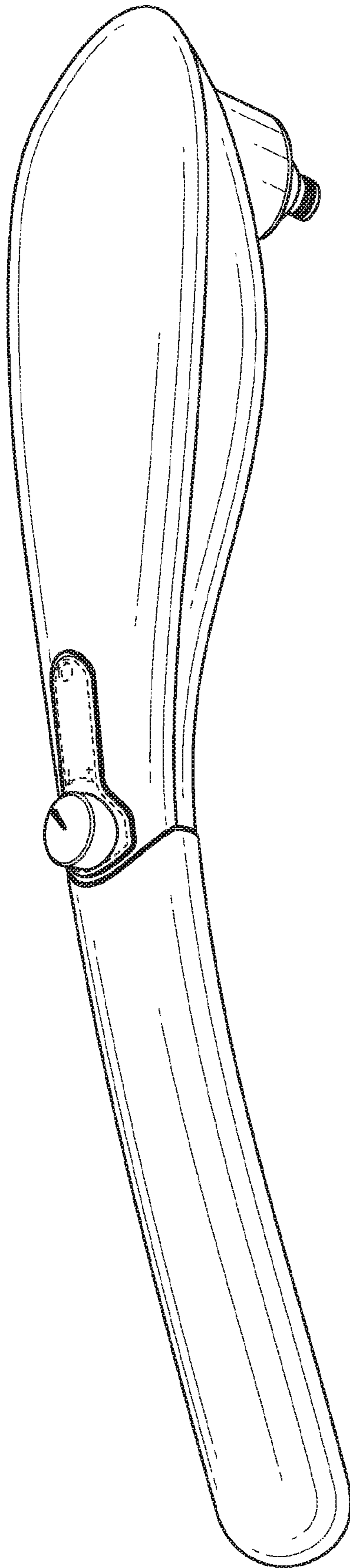


FIG. 50

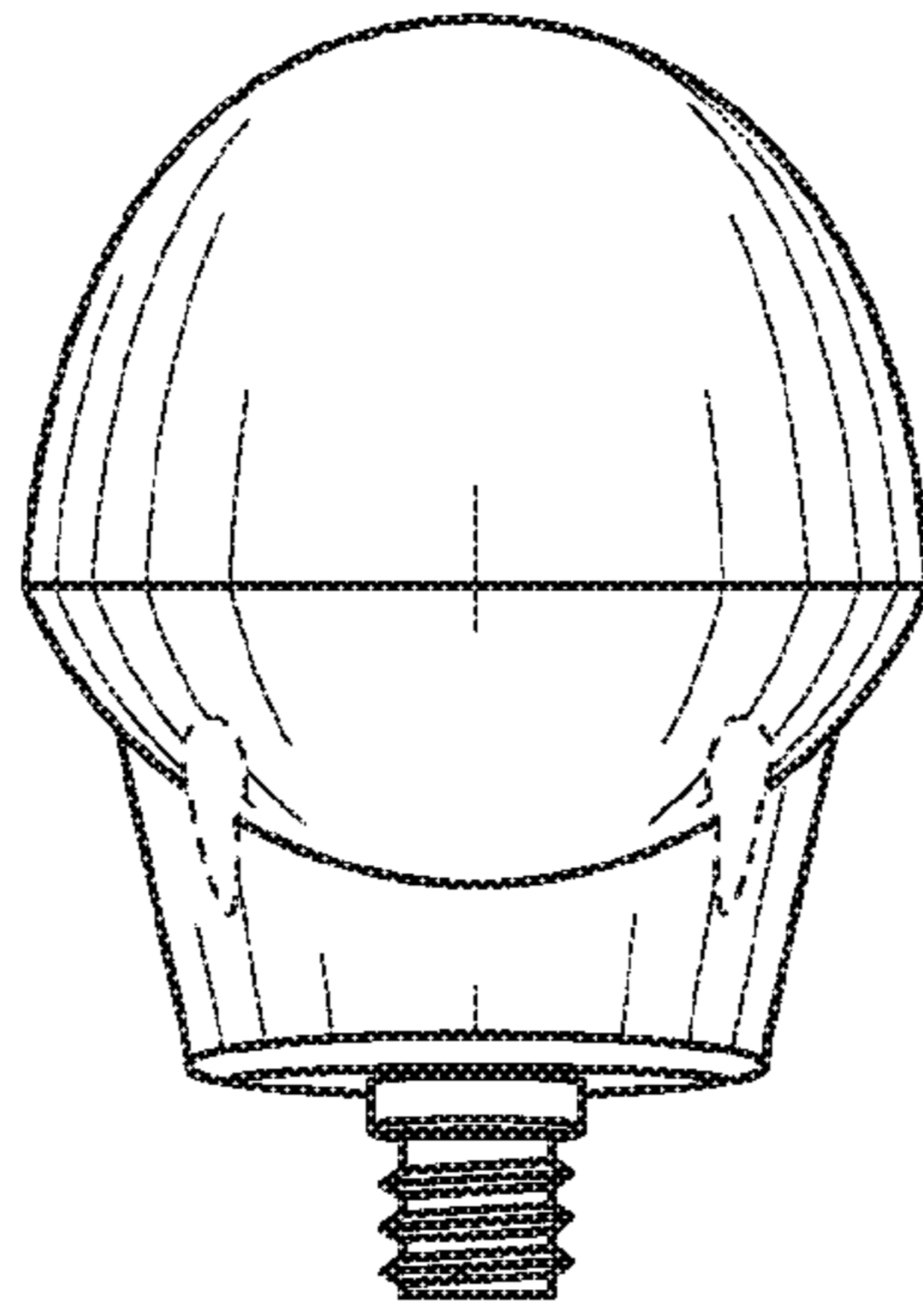


FIG. 51

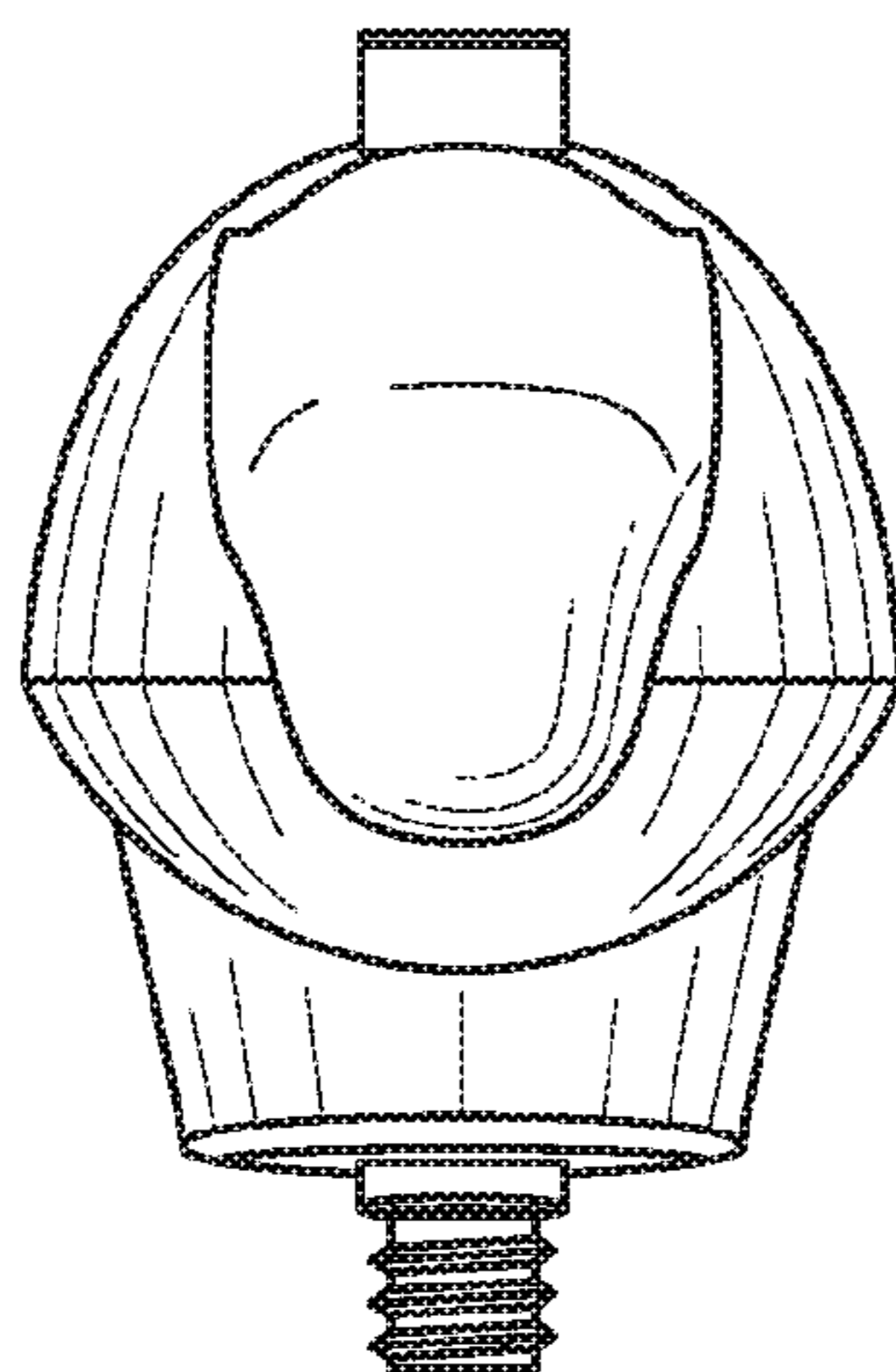


FIG. 52

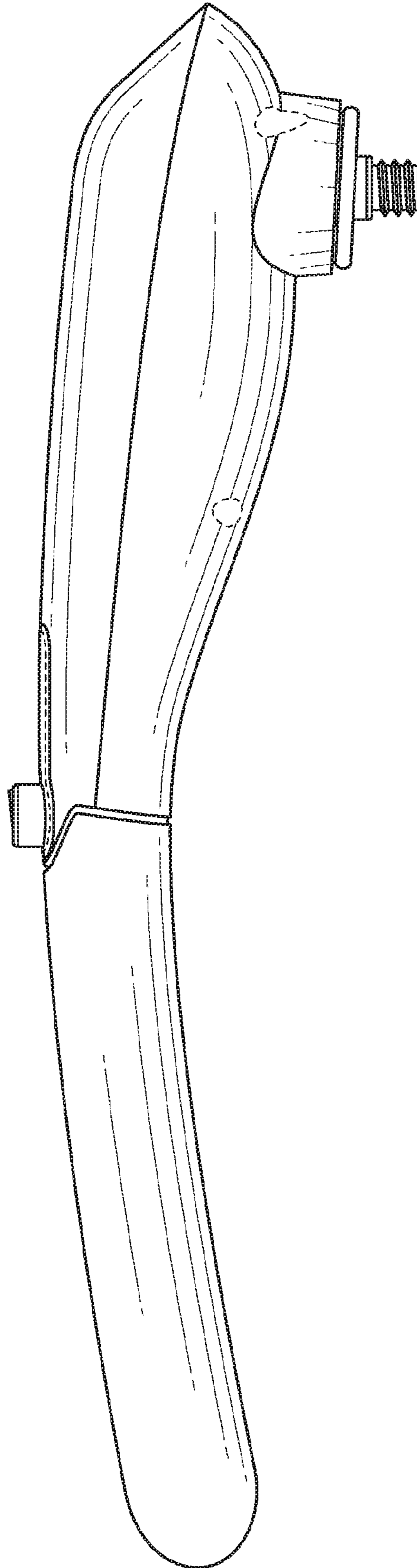


FIG. 53

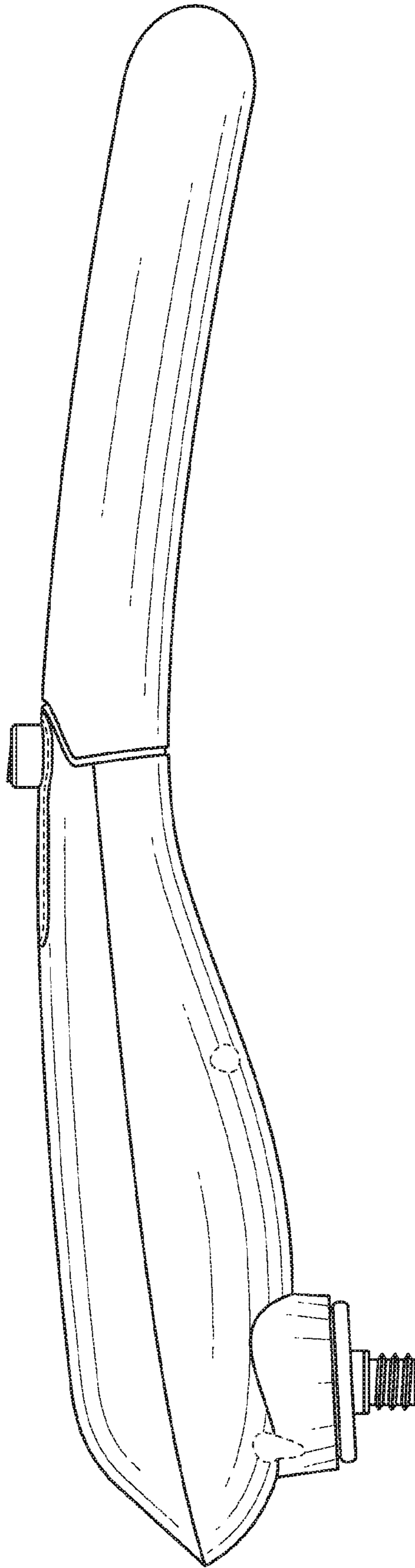


FIG. 54

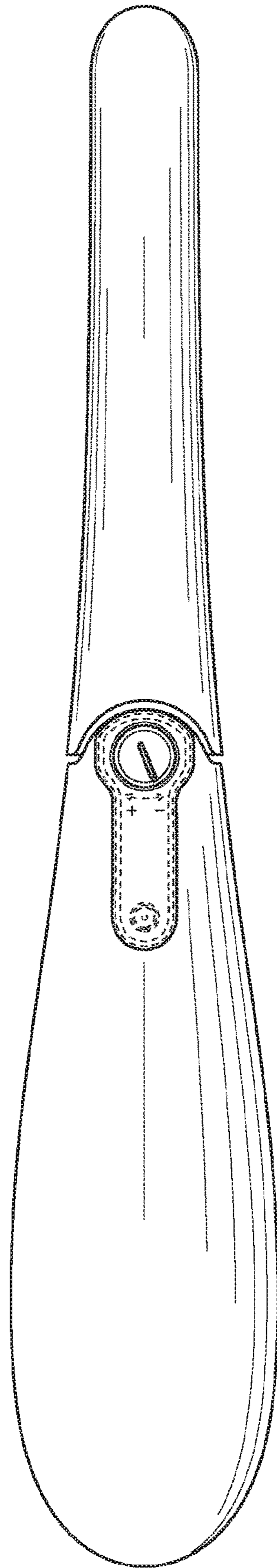


FIG. 55

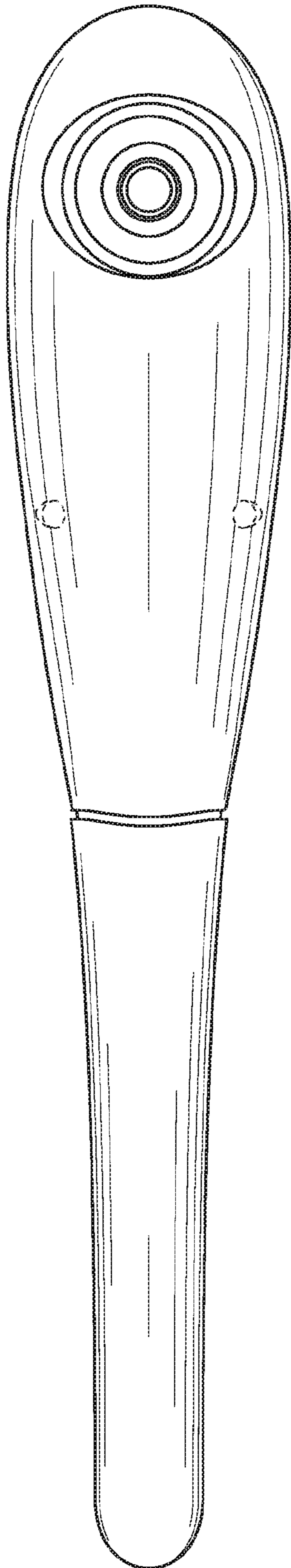


FIG. 56