



US00D872294S

(12) **United States Design Patent** (10) **Patent No.:** **US D872,294 S**  
**Yu** (45) **Date of Patent:** **\*\* Jan. 7, 2020**

(54) **FACIAL MASSAGE DEVICE**  
(71) Applicant: **Shenzhen Upbuty Technology Co., Ltd.**, Shenzhen (CN)  
(72) Inventor: **Yong Yu**, Shenzhen (CN)  
(73) Assignee: **SHENZHEN UPBUTY TECHNOLOGY CO., LTD.**, Shenzhen (CN)

D638,132 S \* 5/2011 Cole ..... D24/200  
D657,066 S \* 4/2012 Imboden ..... D24/215  
D681,220 S \* 4/2013 Chen ..... D24/215  
D685,491 S \* 7/2013 Coral ..... D24/215  
D699,367 S \* 2/2014 Lee ..... D24/215  
D738,517 S \* 9/2015 Karim ..... D24/200  
D739,541 S \* 9/2015 Cole ..... D24/200  
D739,546 S \* 9/2015 Cheung ..... D24/215  
D770,635 S \* 11/2016 Cole ..... D24/200  
D795,445 S \* 8/2017 Marshall ..... D24/215  
D818,601 S \* 5/2018 Cheung ..... D24/215

(Continued)

(\*\*) Term: **15 Years**

(21) Appl. No.: **29/658,048**

(22) Filed: **Jul. 27, 2018**

(30) **Foreign Application Priority Data**

Feb. 24, 2018 (CN) ..... 2018 3 0072525

(51) **LOC (12) Cl.** ..... **28-03**

(52) **U.S. Cl.**  
USPC ..... **D24/214**

(58) **Field of Classification Search**  
USPC ..... 601/15, 18, 19, 27, 28, 29, 30, 31, 32, 601/46, 47, 48, 52, 72, 99, 112, 113, 118, 601/135, 137, DIG. 12, DIG. 14, DIG. 15, 601/DIG. 16, DIG. 17; D24/200, 211, D24/212, 213, 214, 215; D30/160; 600/38, 39, 40, 41  
CPC ..... A61H 7/007; A61H 2201/1215; A61H 15/0092; A61H 2015/0014; A61H 15/00; A61H 23/006  
See application file for complete search history.

(56) **References Cited**

**U.S. PATENT DOCUMENTS**

D608,897 S \* 1/2010 Cole ..... D24/200  
D611,159 S \* 3/2010 Cole ..... D24/200  
D620,597 S \* 7/2010 Cole ..... D24/200  
D631,972 S \* 2/2011 Imboden ..... D24/215

**OTHER PUBLICATIONS**

Upbuty, "Dorkase Facial Muscles Lifting and Firming Beauty Device", Jun. 24, 2019. [http://upbuty.com/en/pd.jsp?id=16#\\_jcp=2](http://upbuty.com/en/pd.jsp?id=16#_jcp=2). Shown on p. 1. (Year: 2019).\*

*Primary Examiner* — Cynthia Ramirez  
*Assistant Examiner* — Michael A Maharajh

(57) **CLAIM**

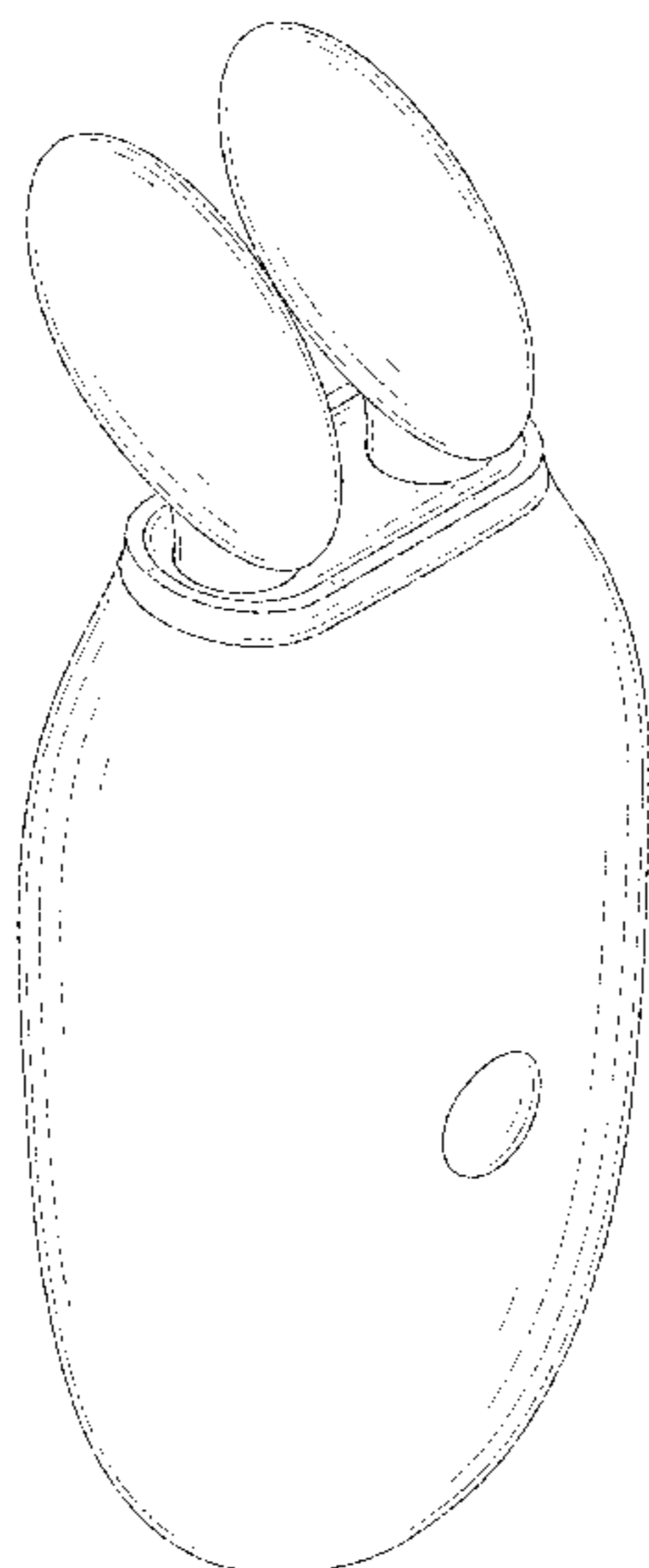
The ornamental design for a facial massage device, as shown and described.

**DESCRIPTION**

FIG. 1 is a perspective view of a facial massage device showing my new design;  
FIG. 2 is a another perspective view thereof;  
FIG. 3 is a front elevation view thereof;  
FIG. 4 is a rear elevation view thereof;  
FIG. 5 is a left side elevation view thereof;  
FIG. 6 is a right side elevation view thereof;  
FIG. 7 is a top plan view thereof;  
FIG. 8 is bottom plan view thereof; and,  
FIG. 9 is another perspective view shown in a condition of use.

The broken lines shown in the drawings are for the purpose of illustrating portions of the facial massage device, which form no part of the claimed design.

**1 Claim, 9 Drawing Sheets**



(56)

**References Cited**

U.S. PATENT DOCUMENTS

D818,602 S \* 5/2018 Cheung ..... D24/215  
D831,835 S \* 10/2018 Cole ..... D24/200  
D844,799 S \* 4/2019 Kim ..... D24/214  
D845,496 S \* 4/2019 Cole ..... D24/200  
2014/0288473 A1\* 9/2014 Matsushita ..... A61H 15/00  
601/137  
2019/0008718 A1\* 1/2019 Matsushita ..... A61H 15/0092

\* cited by examiner

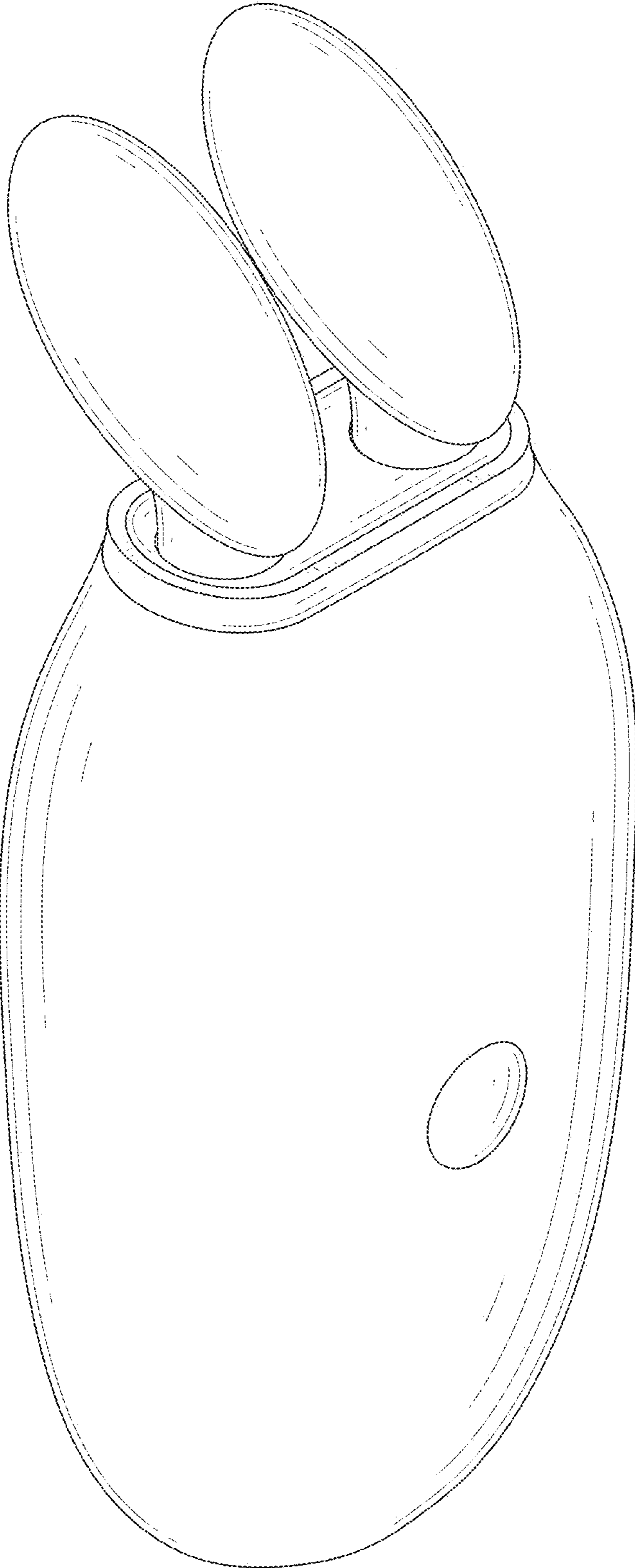


FIG. 1

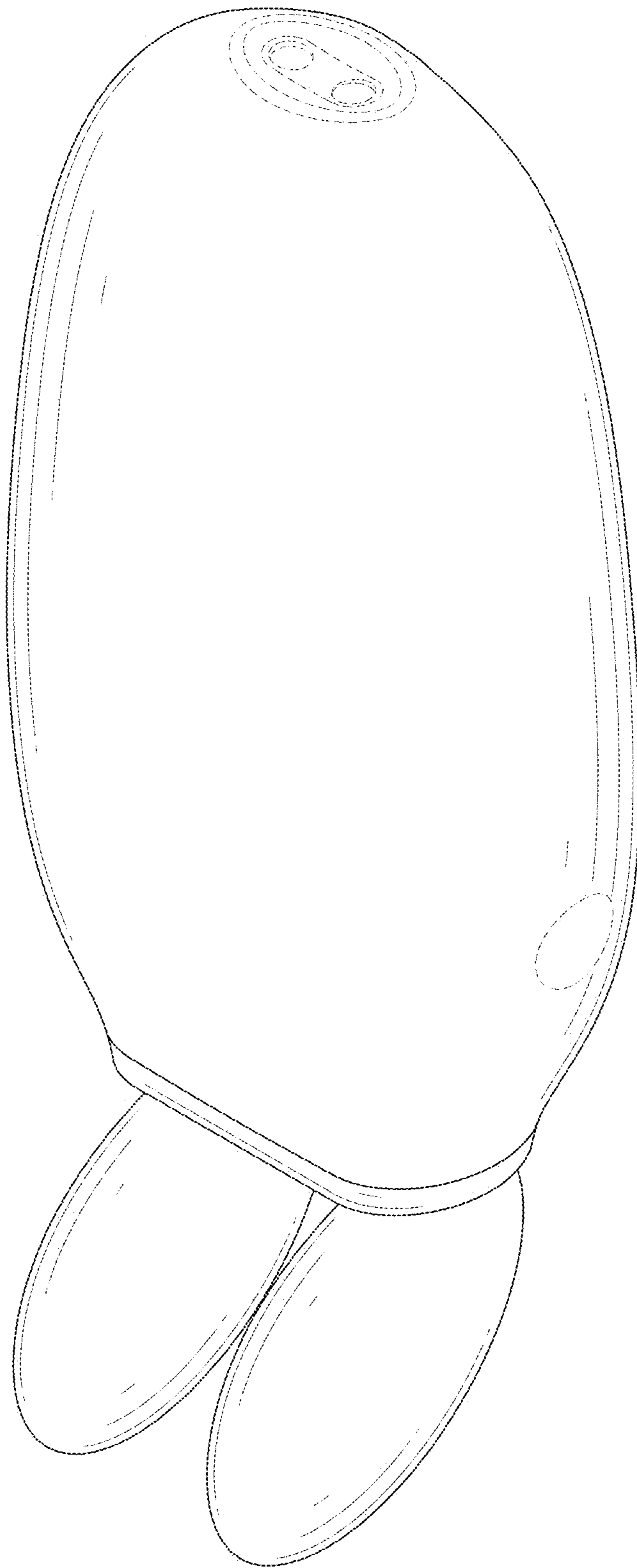


FIG. 2

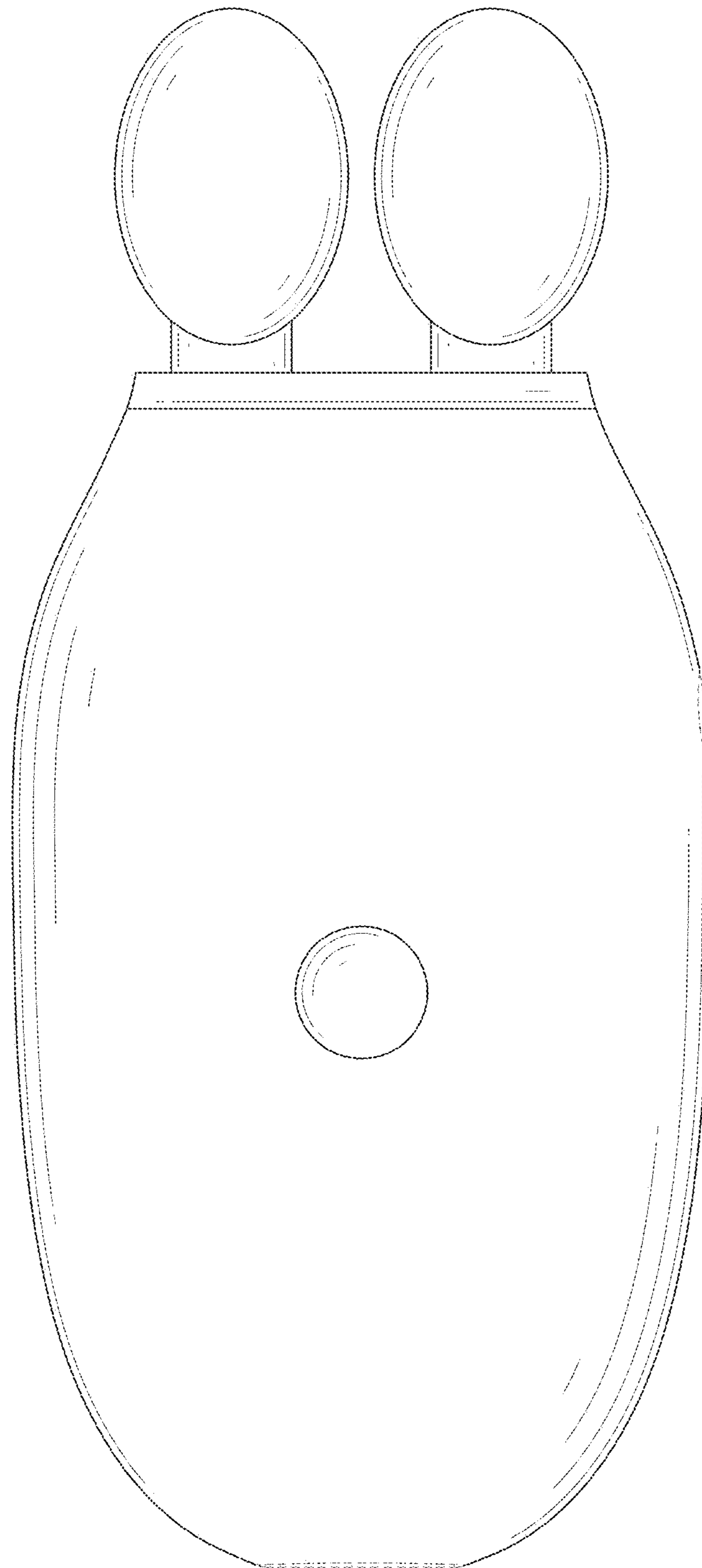


FIG. 3

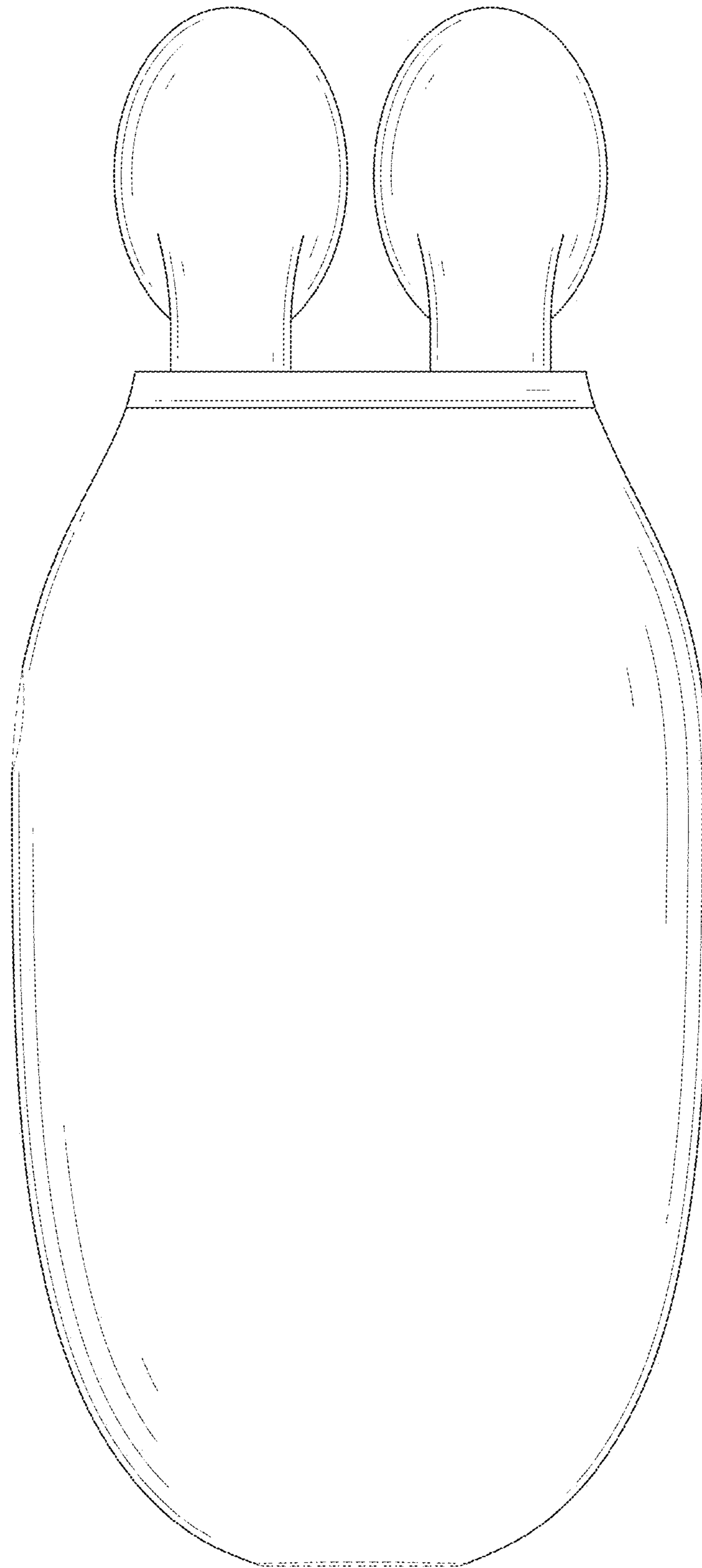


FIG. 4

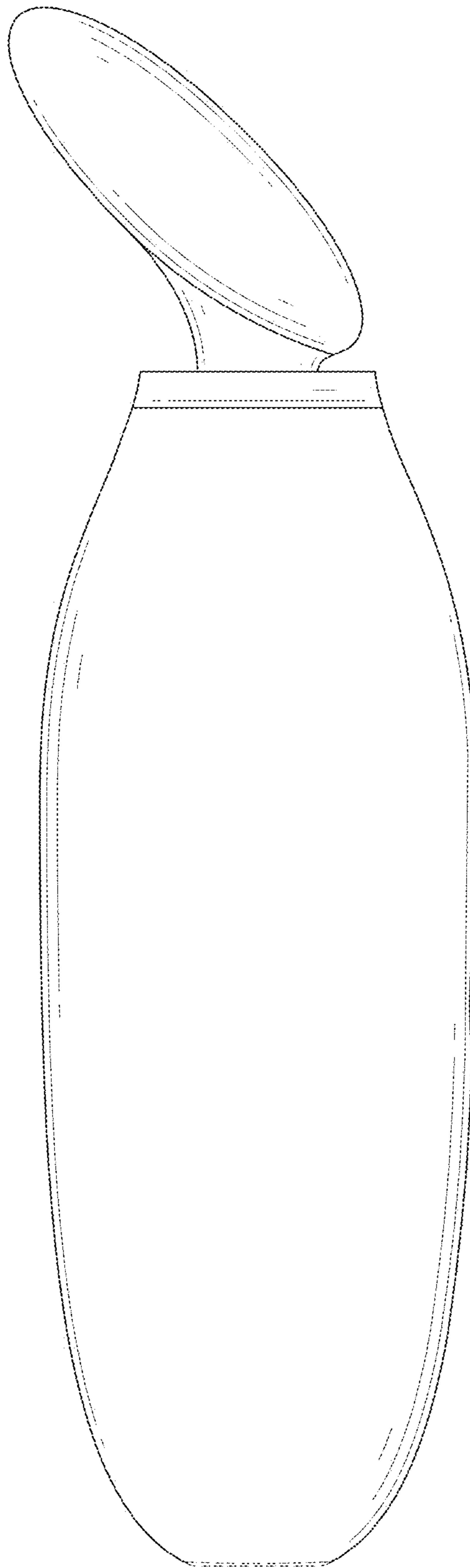


FIG. 5

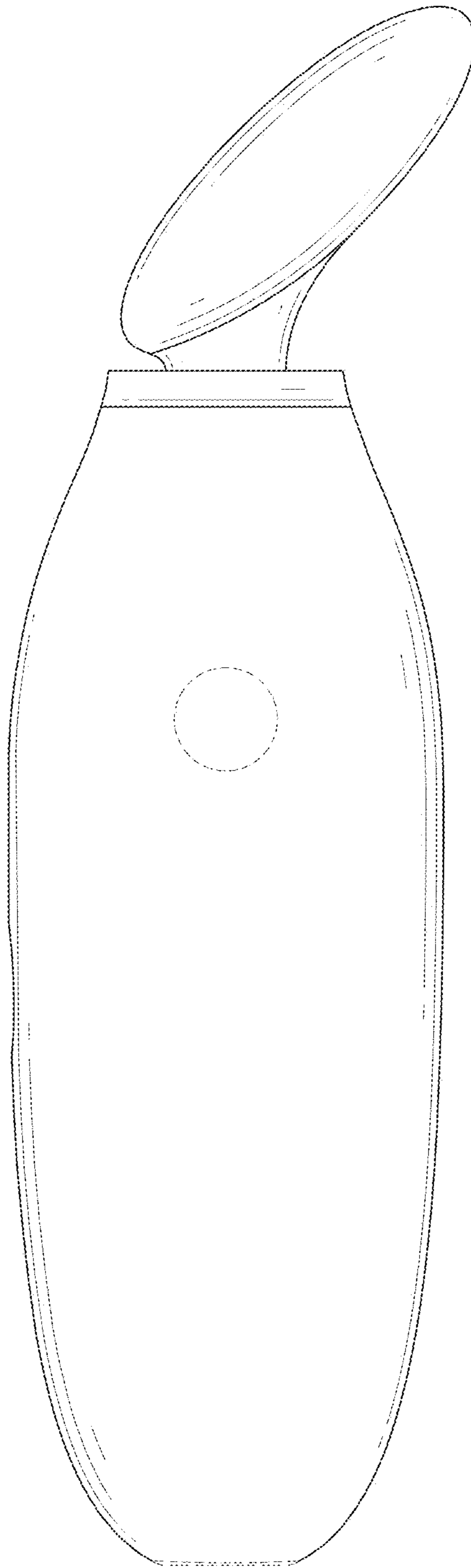


FIG. 6



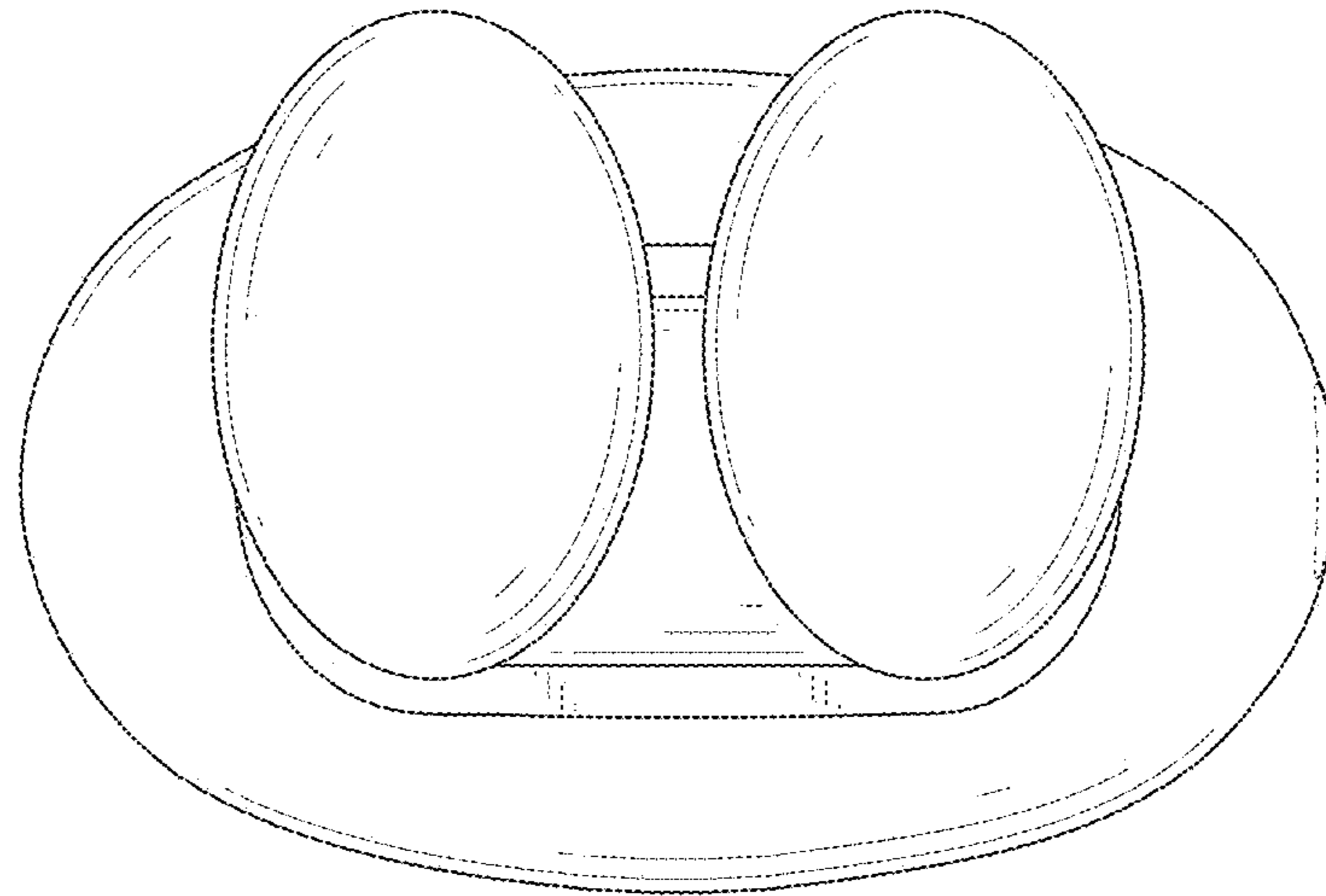


FIG. 7

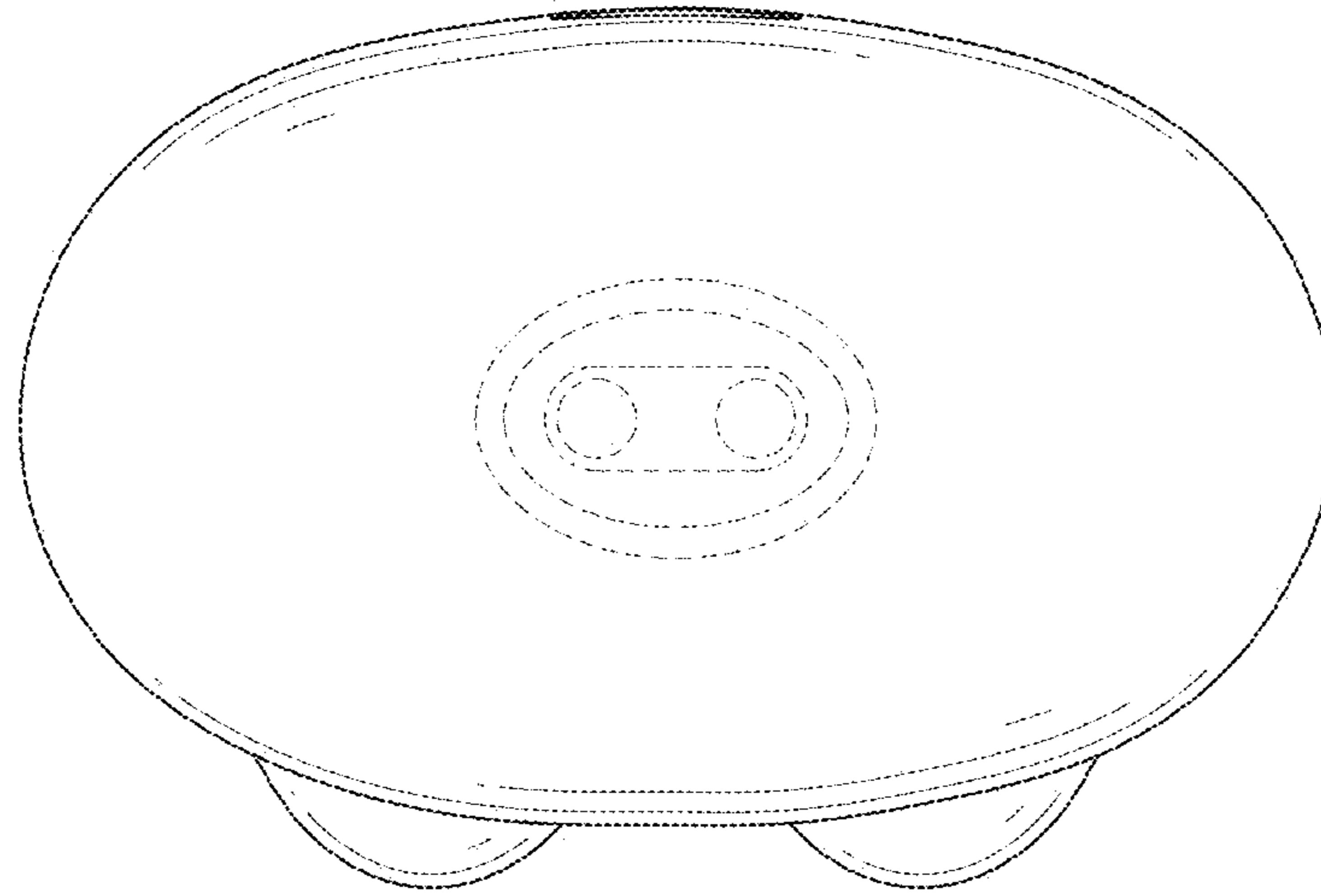


FIG. 8

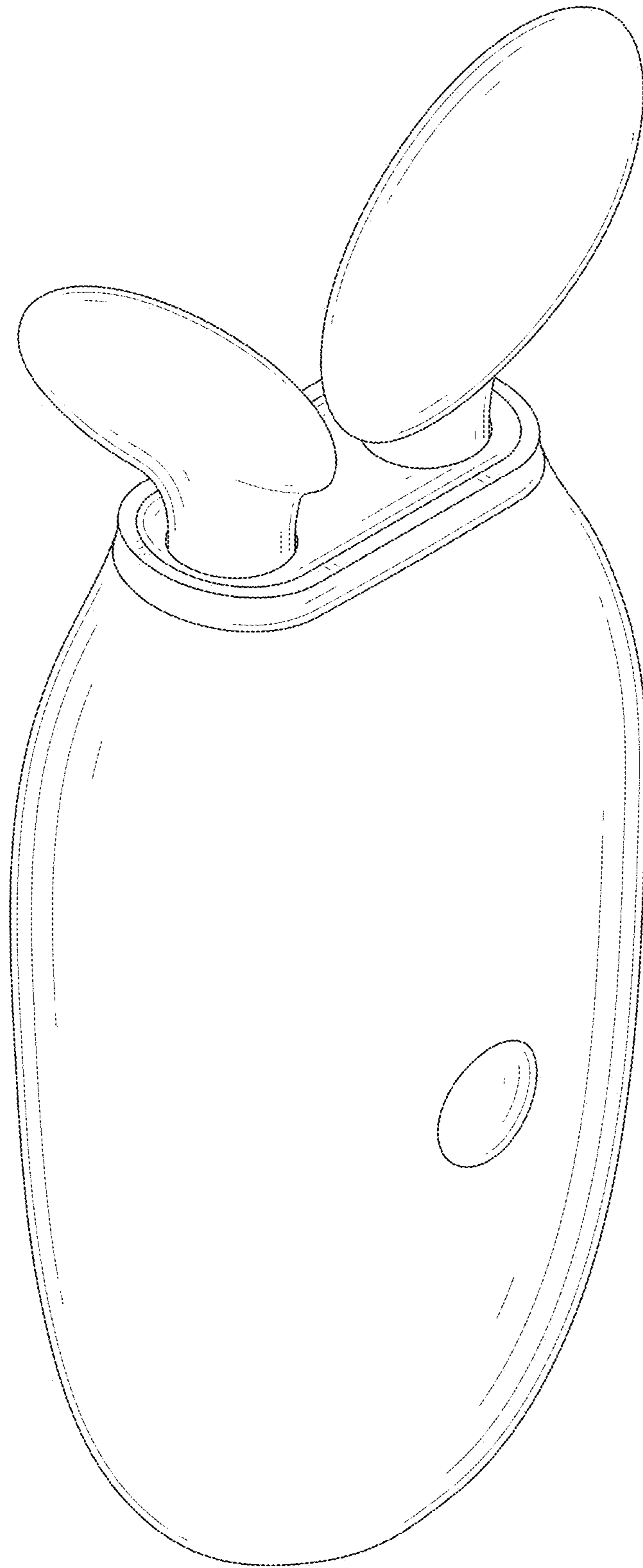


FIG. 9