



US00D872293S

(12) **United States Design Patent**  
**Chen**

(10) **Patent No.:** **US D872,293 S**

(45) **Date of Patent:** **\*\* Jan. 7, 2020**

(54) **LASER HAIR GROWTH CAP**

(71) Applicant: **Chunmian Chen**, New Taipei (TW)

(72) Inventor: **Chunmian Chen**, New Taipei (TW)

(\*\*) Term: **15 Years**

(21) Appl. No.: **29/633,080**

(22) Filed: **Jan. 12, 2018**

(51) **LOC (12) Cl.** ..... **28-03**

(52) **U.S. Cl.**  
USPC ..... **D24/209**

(58) **Field of Classification Search**  
USPC ..... D24/107, 186, 158, 231, 200, 209, 210;  
D26/37-39; D29/102, 103  
CPC .. A61N 5/0616; A61N 5/0617; A61N 5/0618;  
A61N 5/062; A61N 5/0627; A61N  
5/0624; A61N 2005/0643; A61N  
2005/0644; A61N 2005/0645; A61N  
2005/0647; A61N 2005/0651; A61N  
2005/0652; A61N 2005/0654; A61N  
2005/0662; A61B 2018/00452; A61B  
2018/1807

See application file for complete search history.

(56) **References Cited**

**U.S. PATENT DOCUMENTS**

5,228,431 A \* 7/1993 Giarretto ..... A61H 9/005  
601/11  
D382,671 S \* 8/1997 Shewchenko ..... D29/102

D640,793 S \* 6/2011 Britt ..... D24/209  
D704,896 S \* 5/2014 Ryu ..... D29/103  
D777,339 S \* 1/2017 Chen ..... D24/209  
D853,038 S \* 7/2019 Kirshon ..... D29/102  
2011/0015707 A1\* 1/2011 Tucker ..... A61N 5/0616  
607/90  
2019/0224495 A1\* 7/2019 Pina ..... A61N 5/0617

\* cited by examiner

*Primary Examiner* — Anhdao Doan

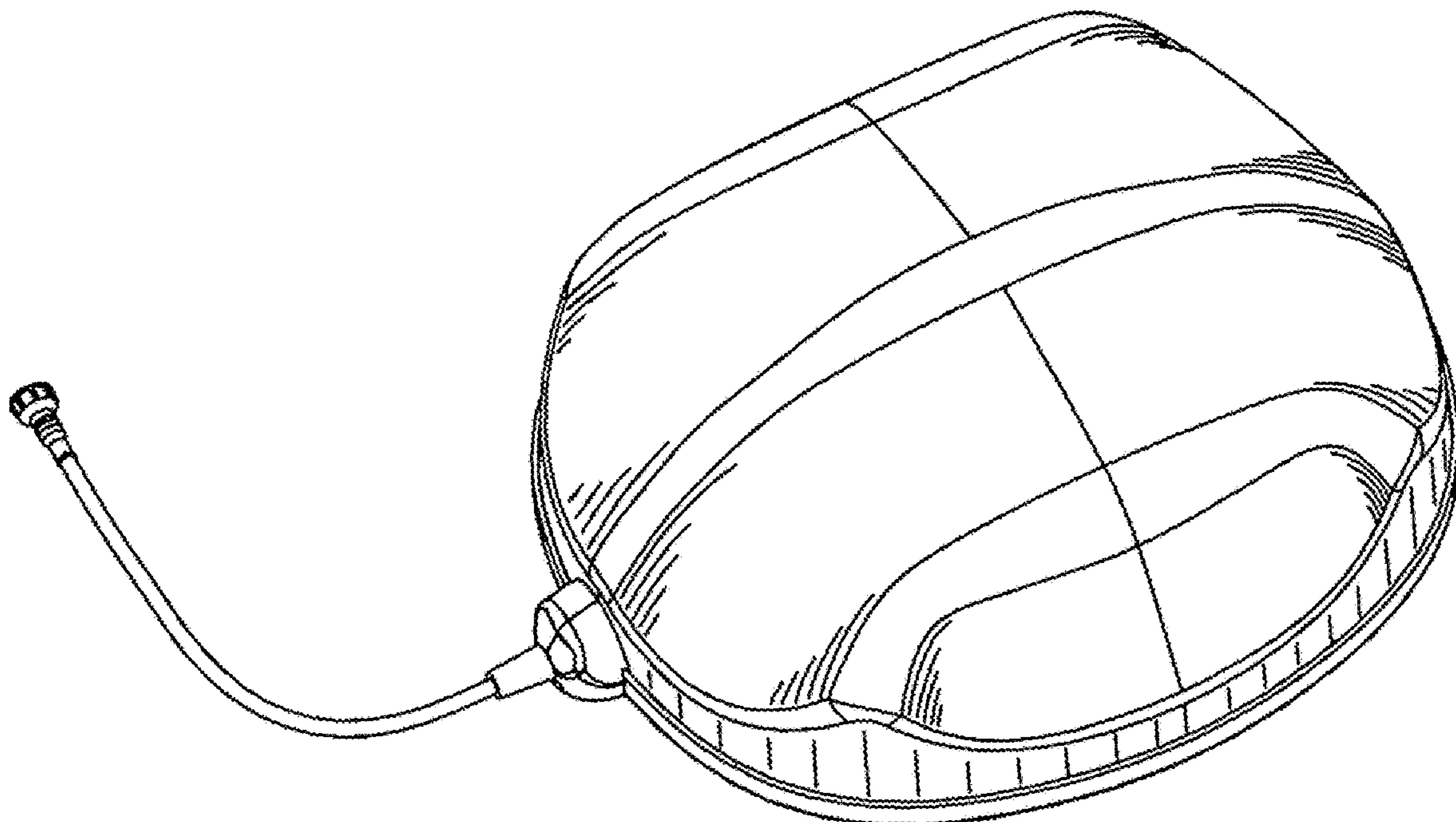
(57) **CLAIM**

The ornamental design for a laser hair growth cap, as shown and described.

**DESCRIPTION**

FIG. 1 is a front elevational view of a Laser hair growth cap showing my new design;  
FIG. 2 is a rear elevational view thereof;  
FIG. 3 is a left side view thereof;  
FIG. 4 is a right side view thereof;  
FIG. 5 is a top plan view thereof;  
FIG. 6 is a bottom plan view thereof;  
FIG. 7 is a perspective view thereof;  
FIG. 8 is an enlarged view of portion 8 shown in FIG. 7; and,  
FIG. 9 is a perspective view showing a condition in use with a clipper for fixing the cap on the head.  
The broken lines depicting a clip in FIG. 9 represent an environmental structure and form no part of the claimed design.

**1 Claim, 8 Drawing Sheets**



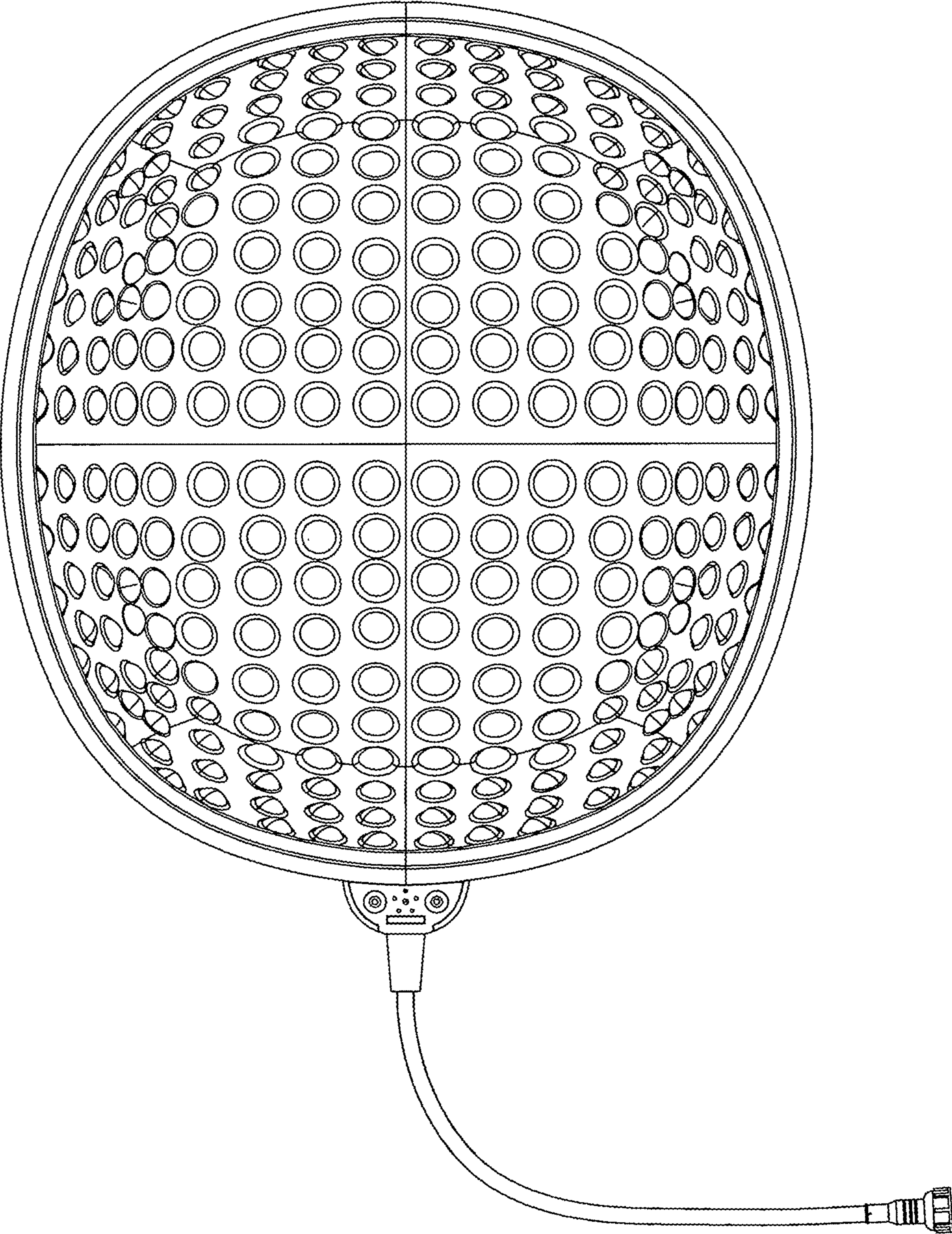


FIG. 1



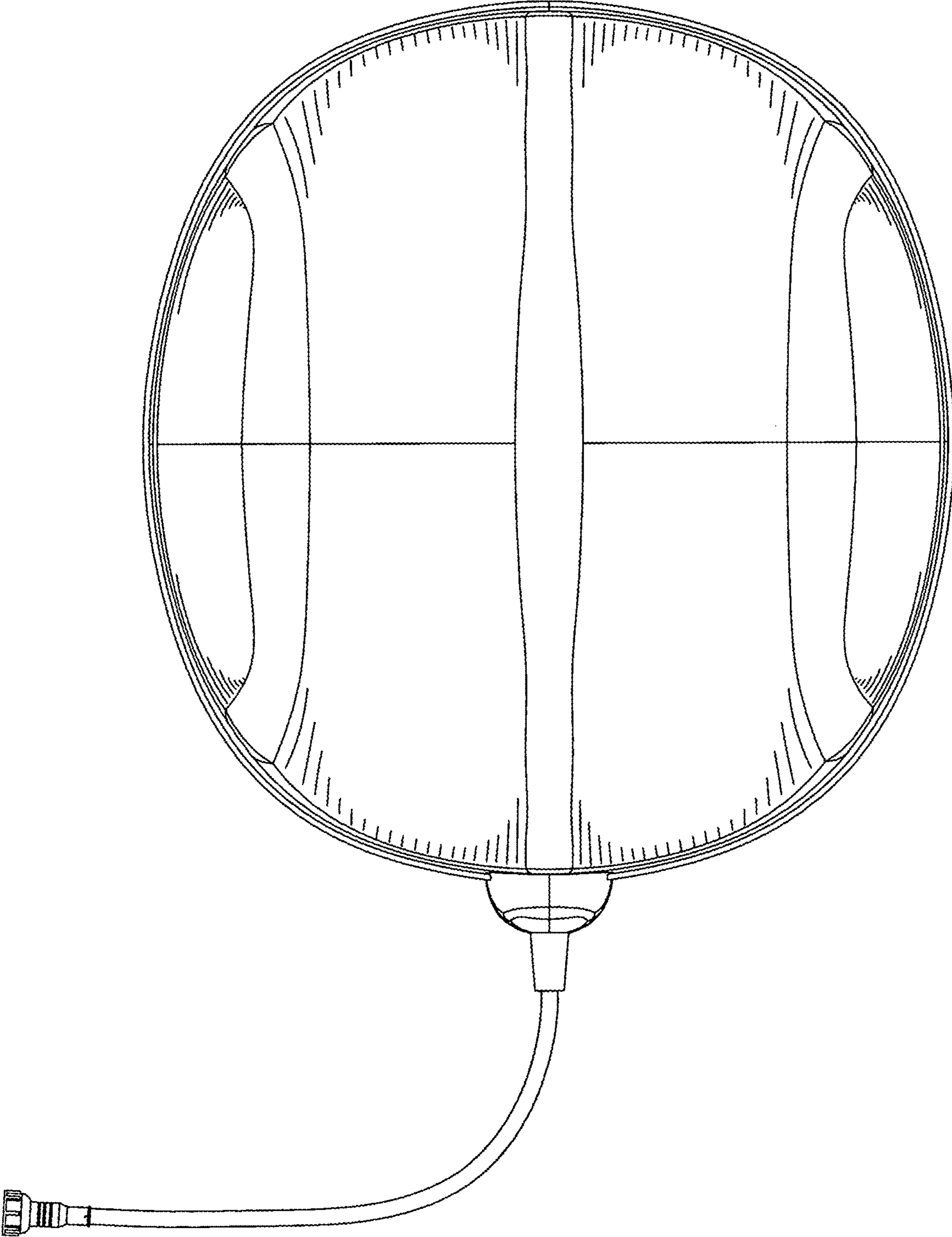


FIG. 2

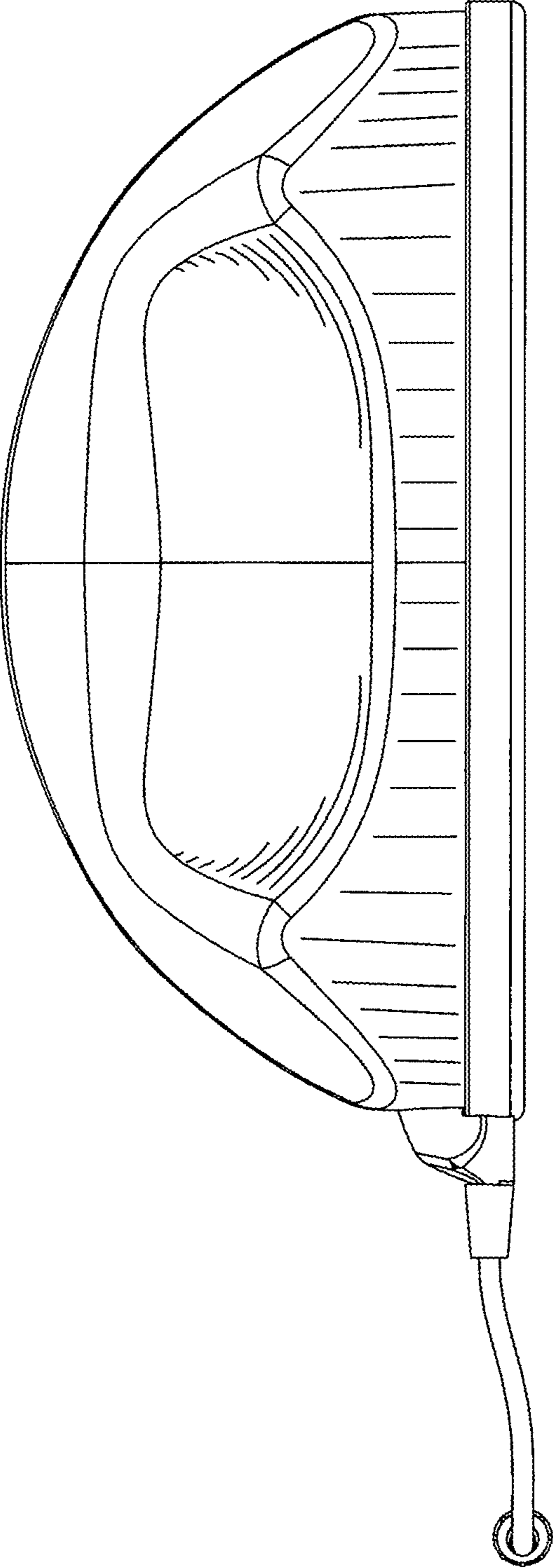


FIG. 3

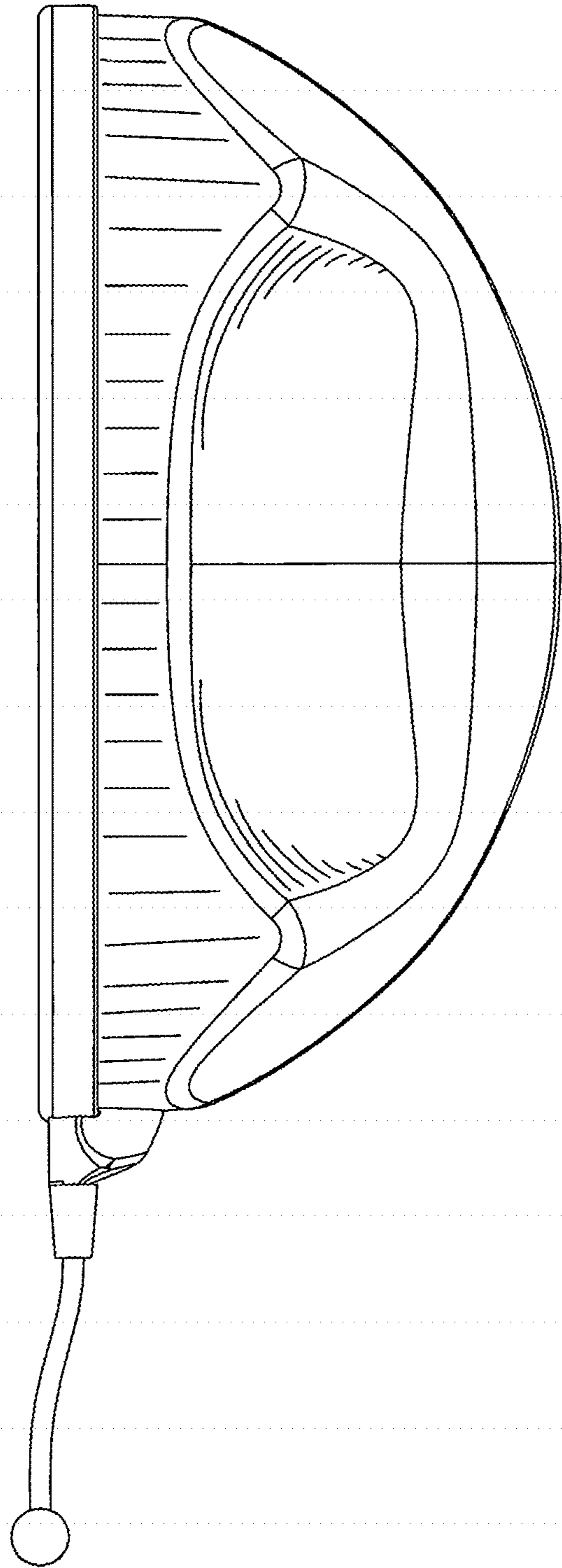


FIG. 4

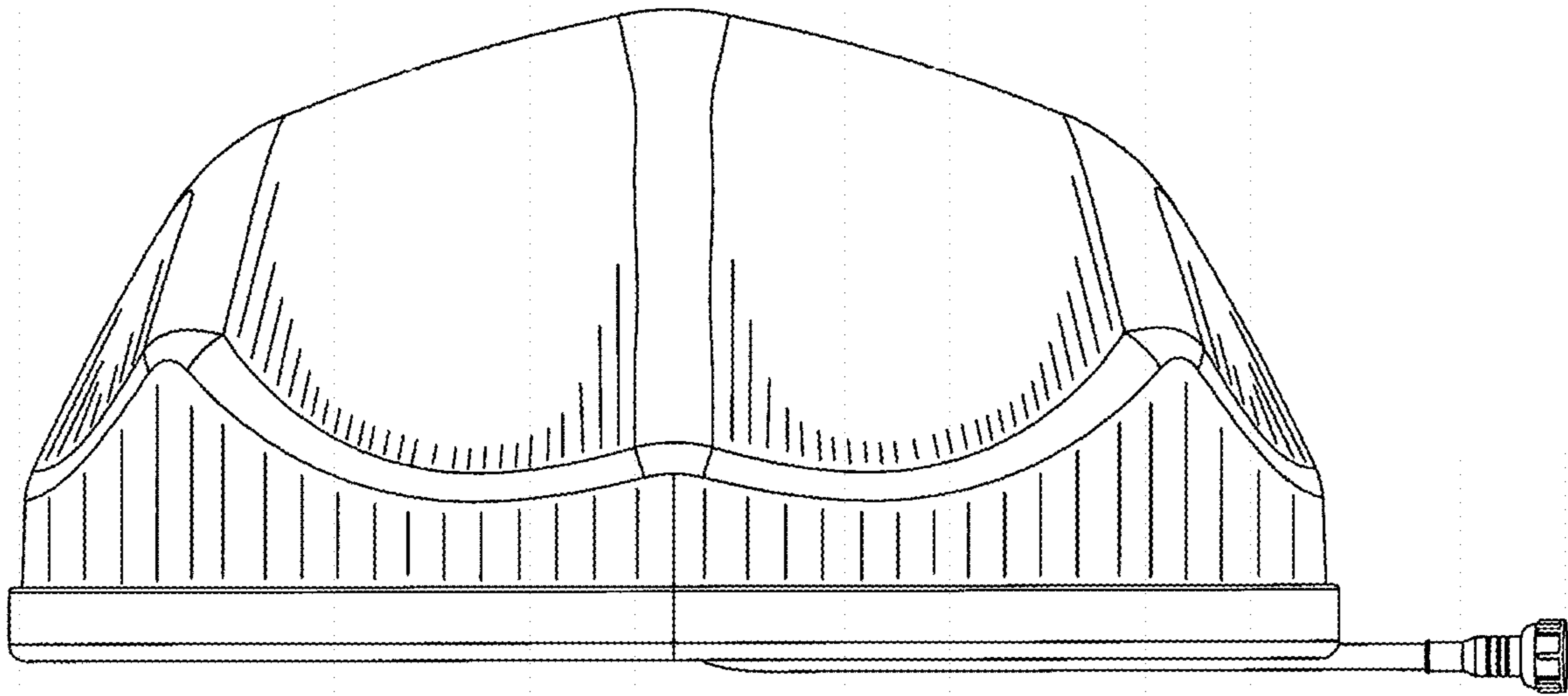


FIG. 5

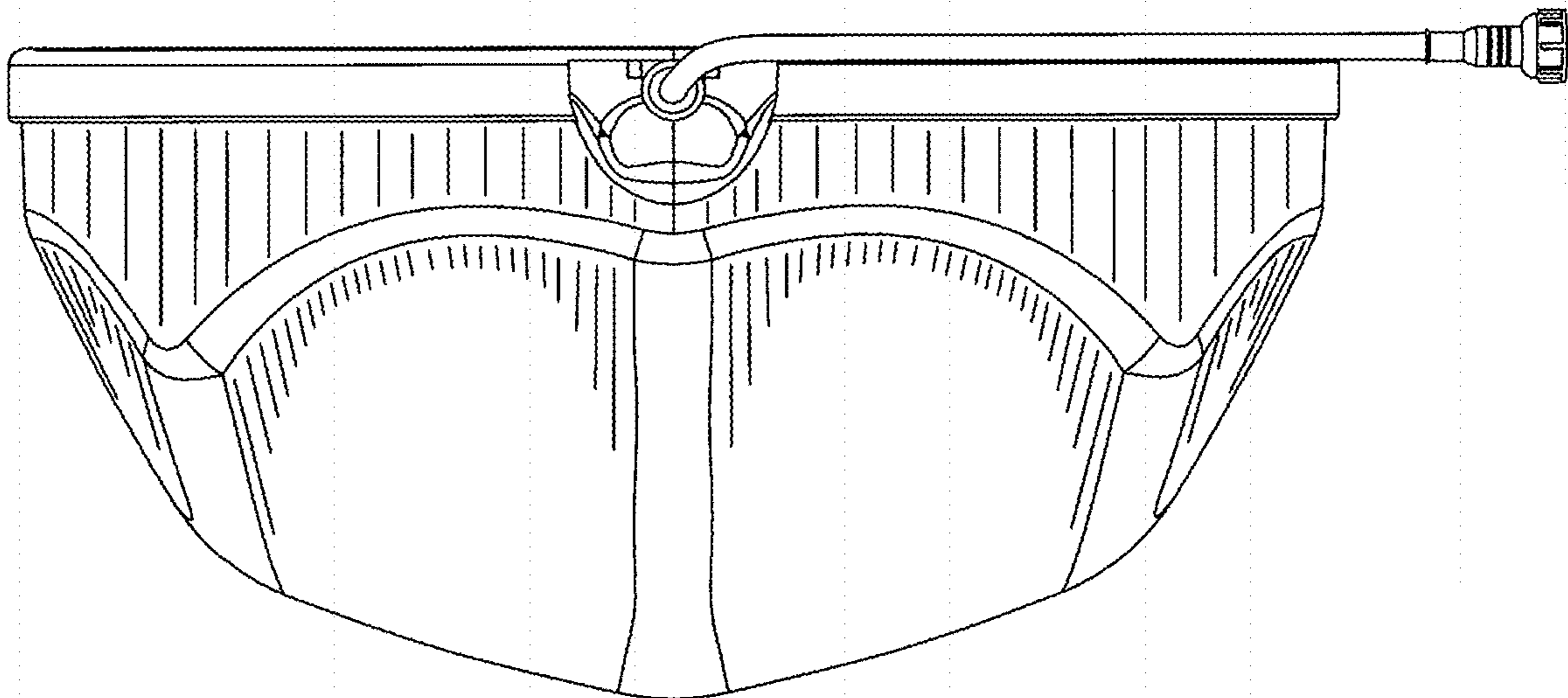


FIG. 6



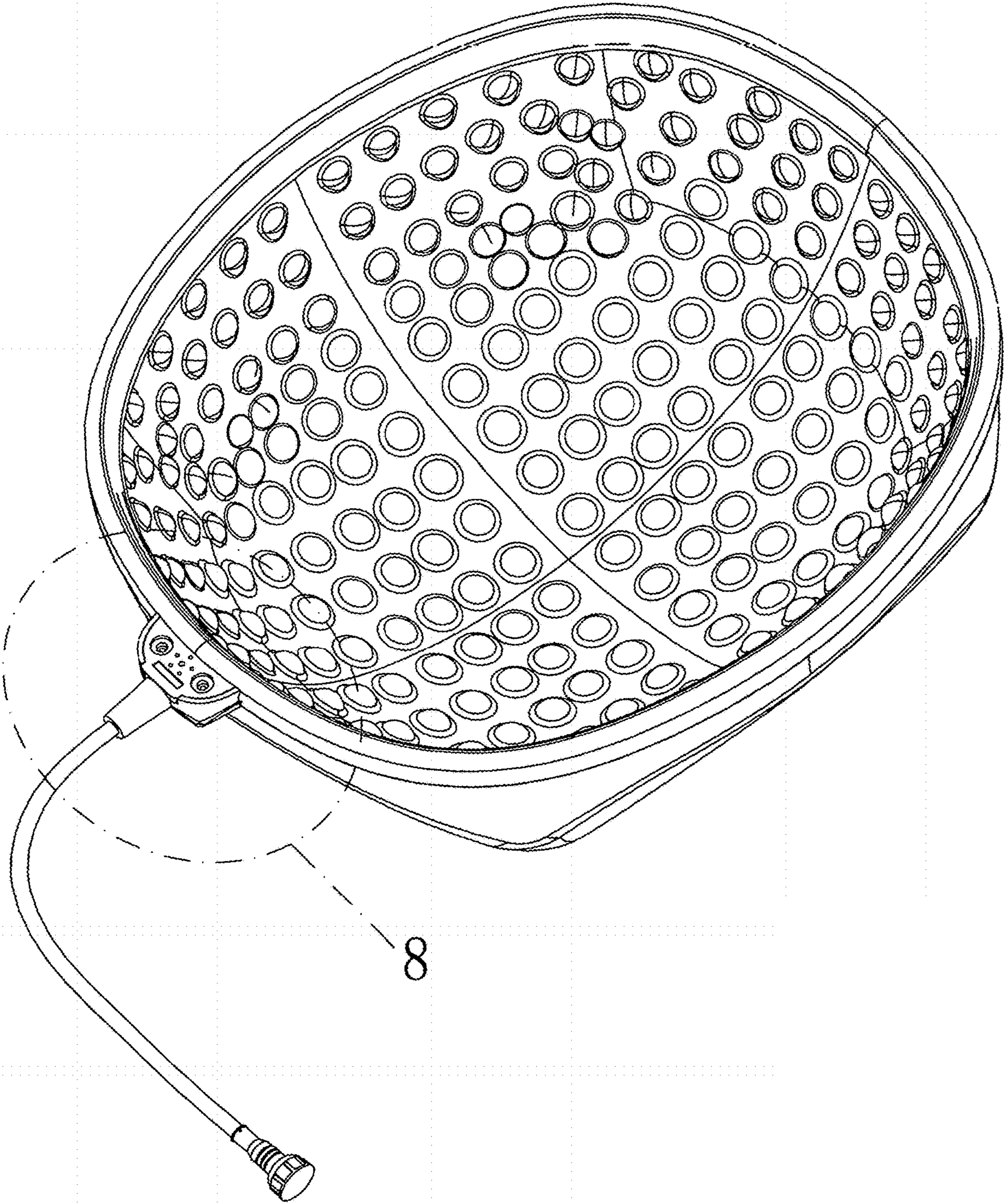


FIG. 7

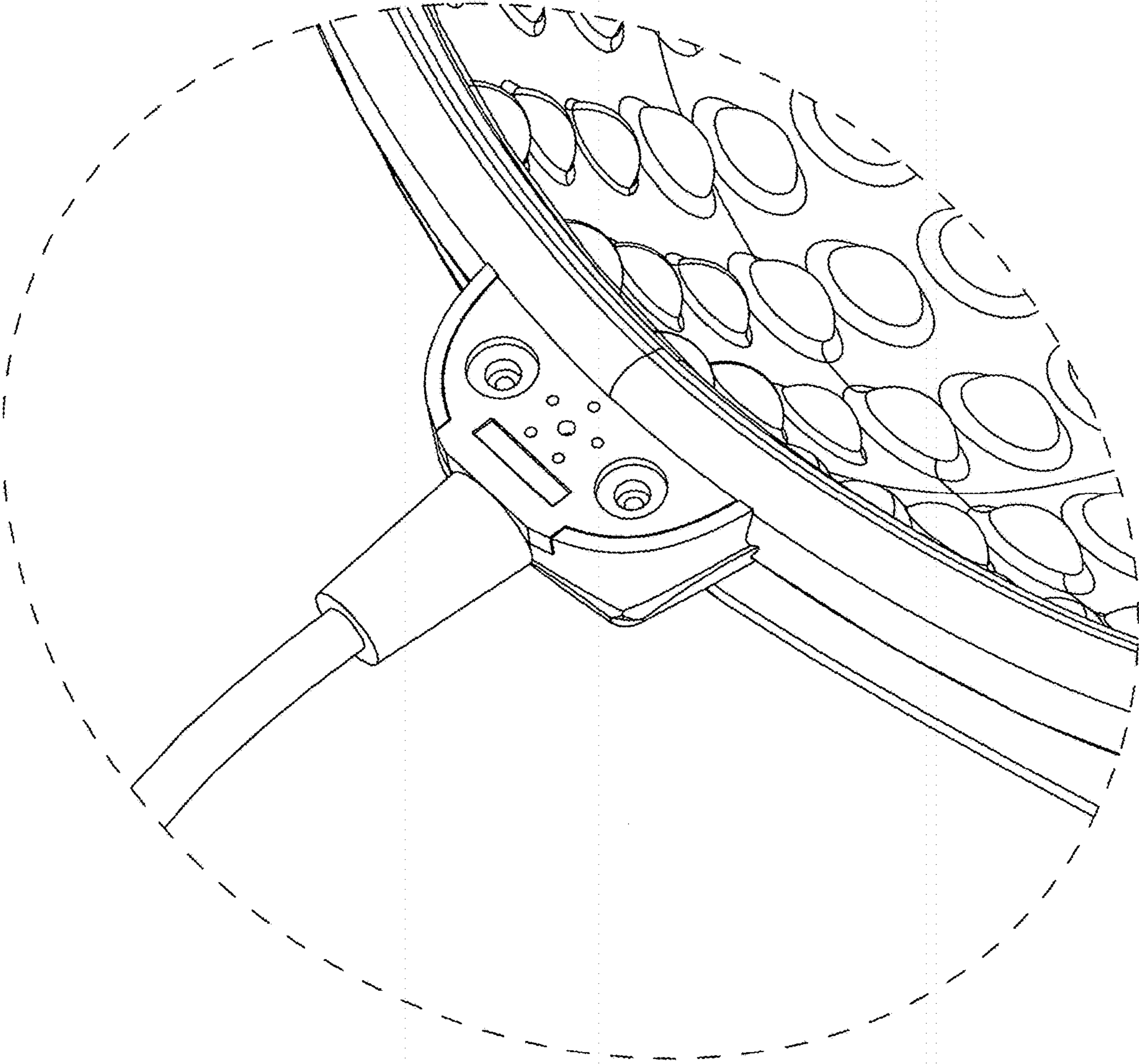


FIG. 8



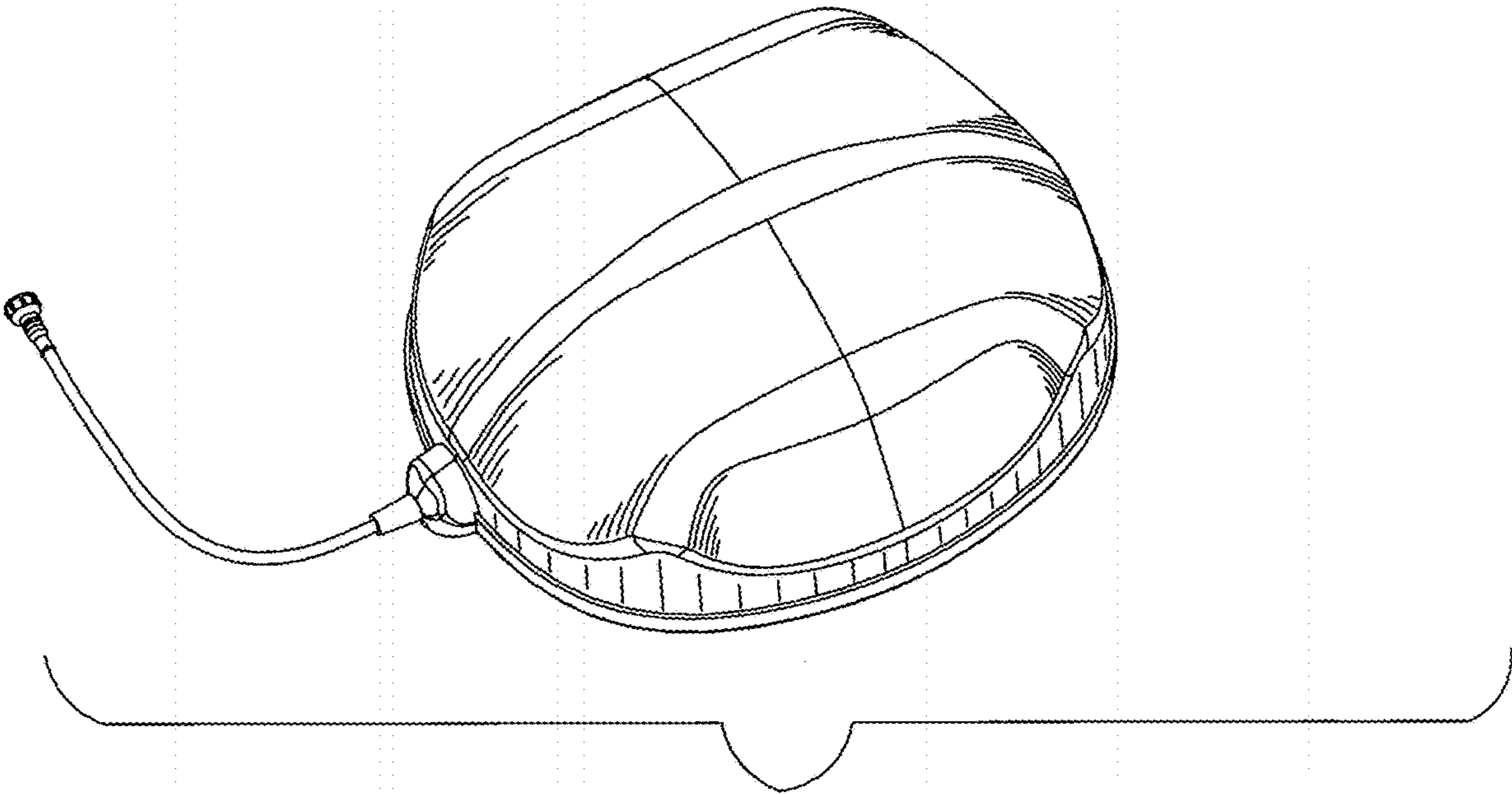


FIG. 9