



US00D872290S

(12) **United States Design Patent**
Roehrig

(10) **Patent No.:** **US D872,290 S**
(45) **Date of Patent:** **** Jan. 7, 2020**

(54) **PACIFIER**
(71) Applicant: **MAM Babyartikel Gesellschaft m.b.H.**, Vienna (AT)
(72) Inventor: **Peter Roehrig**, Vienna (AT)
(73) Assignee: **MAM BABYARTIKEL GESELLSCHAFT M.B.H.**, Vienna (AT)

D740,430 S * 10/2015 Oates, II D24/194
9,999,574 B2 * 6/2018 Rohrig A61J 11/007
D838,858 S * 1/2019 Hanneken D24/194
D841,822 S * 2/2019 Hagenauer D24/194
2001/0012952 A1 * 8/2001 Rohrig A61J 17/001
606/234
2002/0030029 A1 * 3/2002 Hakim A61J 11/0035
215/11.1

(**) Term: **15 Years**
(21) Appl. No.: **29/629,607**
(22) Filed: **Dec. 14, 2017**

(30) **Foreign Application Priority Data**
Jul. 5, 2017 (EM) 004088664-0001
Jul. 5, 2017 (EM) 004088664-0002
(51) **LOC (12) Cl.** **24-04**
(52) **U.S. Cl.**
USPC **D24/194**
(58) **Field of Classification Search**
USPC D24/193-196, 199
CPC A61J 17/001; A61J 17/02
See application file for complete search history.

(56) **References Cited**
U.S. PATENT DOCUMENTS
D441,083 S * 4/2001 Roehrig D24/194
D453,379 S * 2/2002 Roehrig D24/193
D548,847 S * 8/2007 Dunn D24/194
D558,354 S * 12/2007 Roehrig D24/194
D609,816 S * 2/2010 Roehrig D24/194
D626,653 S * 11/2010 Roehrig D24/194
D636,496 S * 4/2011 Roehrig D24/194
8,133,259 B2 * 3/2012 Roehrig A61J 17/001
606/234
D674,496 S * 1/2013 Roehrig D24/194
9,028,531 B2 * 5/2015 Rohrig A61J 17/001
606/234

OTHER PUBLICATIONS

“MAM Perfect Baby Dummy.” Found online Apr. 13, 2019 at www.amazon.com. Product reviewed Aug. 22, 2013. Retrieved from URL: https://www.amazon.com/MAM-Perfect-Soothe-Pacifier-months/dp/B005DKGWL8 (Year: 2013).*

* cited by examiner

Primary Examiner — Mary Ann Calabrese
Assistant Examiner — Katelin G Kloberg
(74) *Attorney, Agent, or Firm* — Abelman, Frayne & Schwab

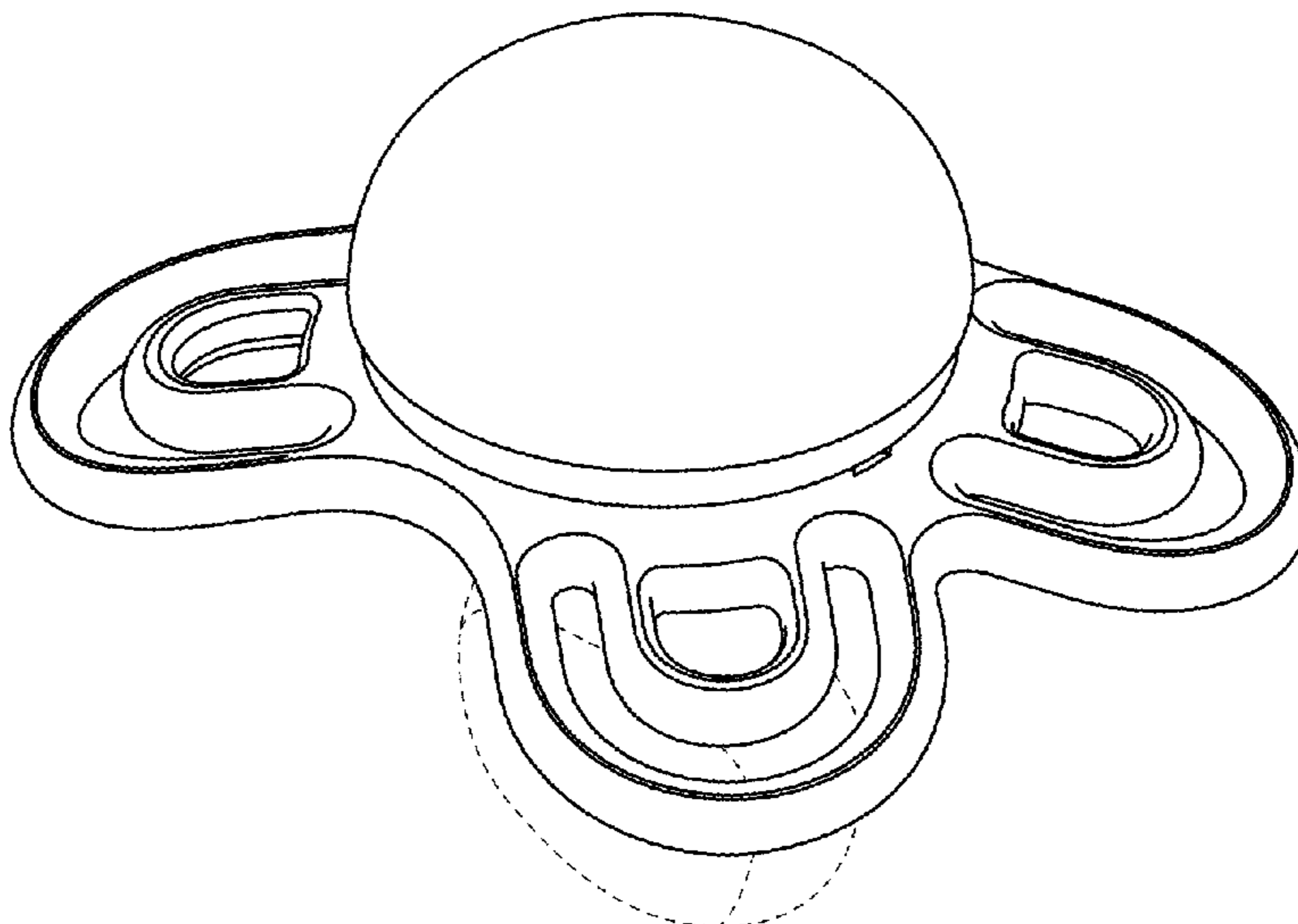
(57) **CLAIM**

The ornamental design for a pacifier, as shown and described.

DESCRIPTION

FIG. 1 is a front, top, and right perspective view of a pacifier showing the new design;
FIG. 2 is a top plan view thereof;
FIG. 3 is a front elevation thereof, the rear elevation being a mirrored image thereof;
FIG. 4 is a right side elevation view thereof, the left side elevation view being a mirrored image thereof; and,
FIG. 5 is a bottom view thereof.
The broken line showing of the pacifier is for the purpose of illustrating portions of the pacifier and forms no part of the claimed design.

1 Claim, 3 Drawing Sheets



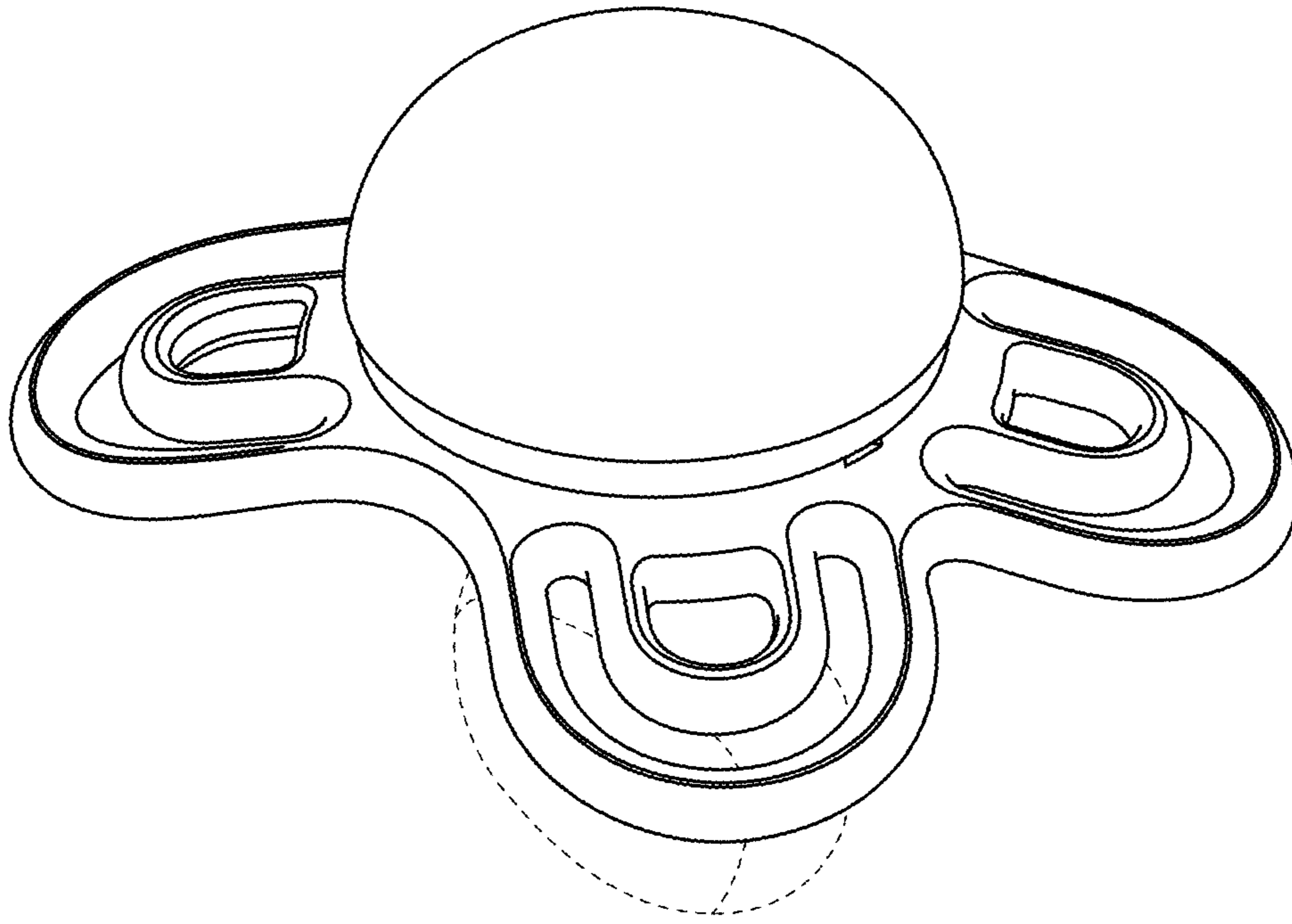


FIG. 1

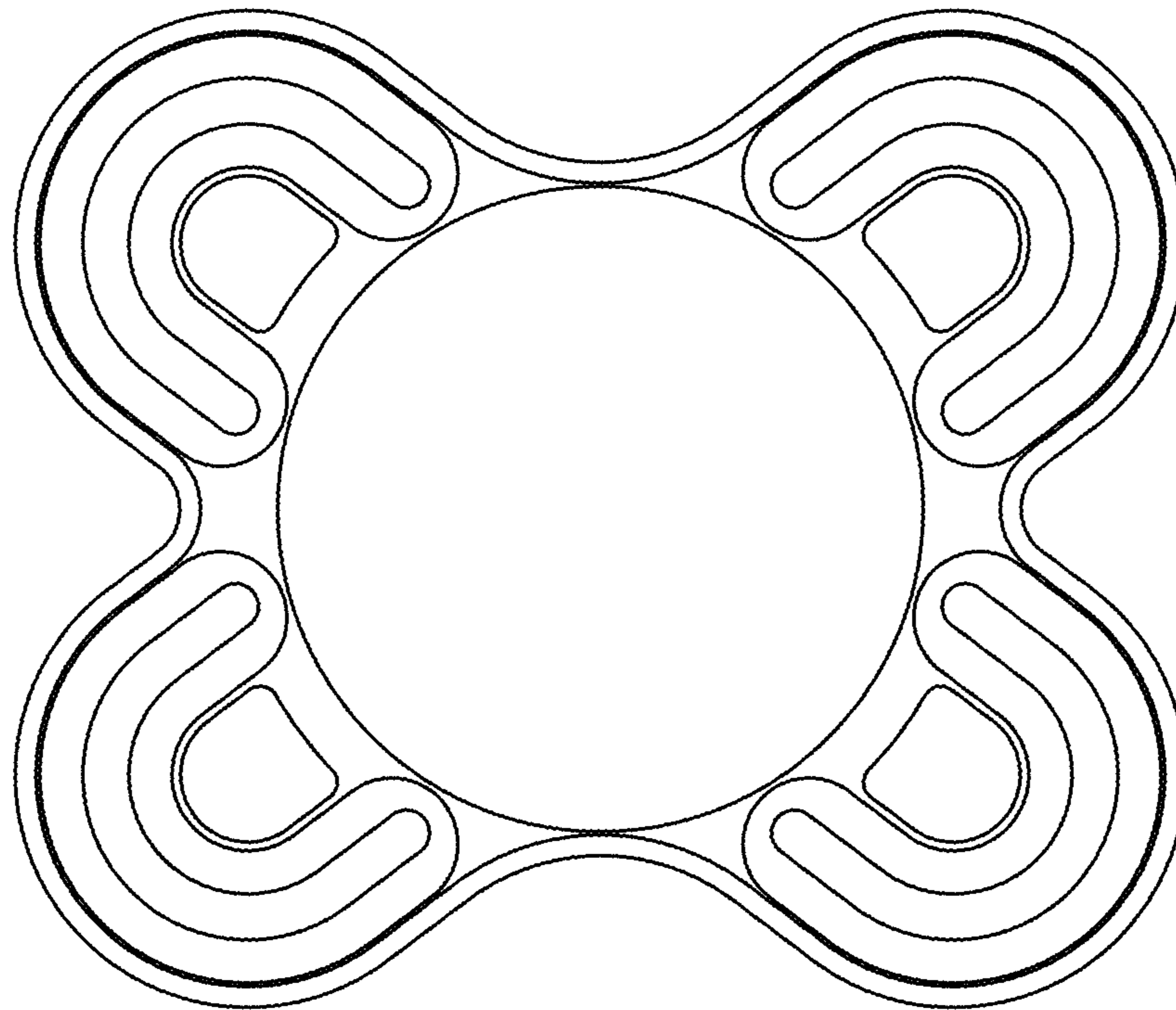


FIG. 2

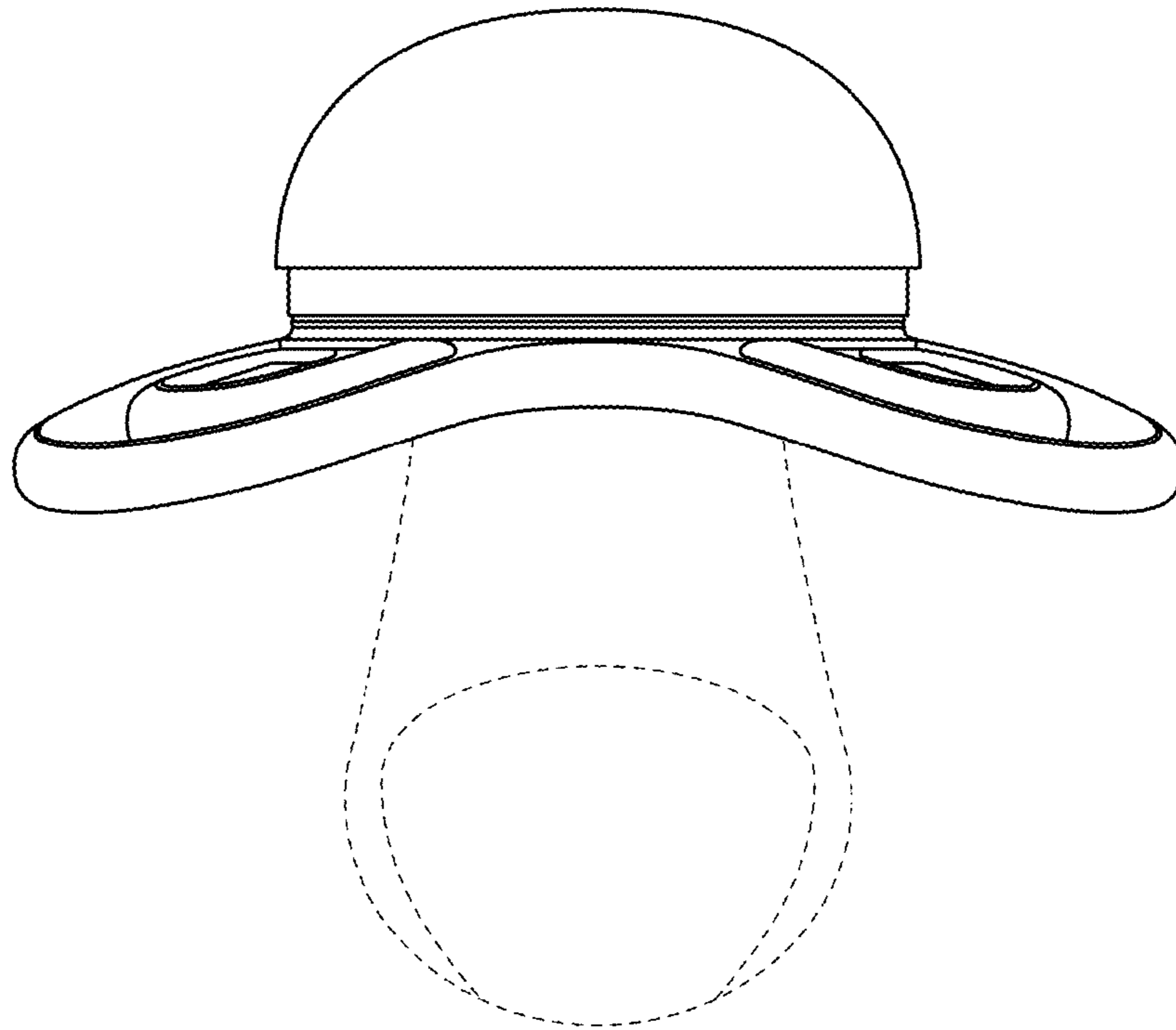


FIG. 3

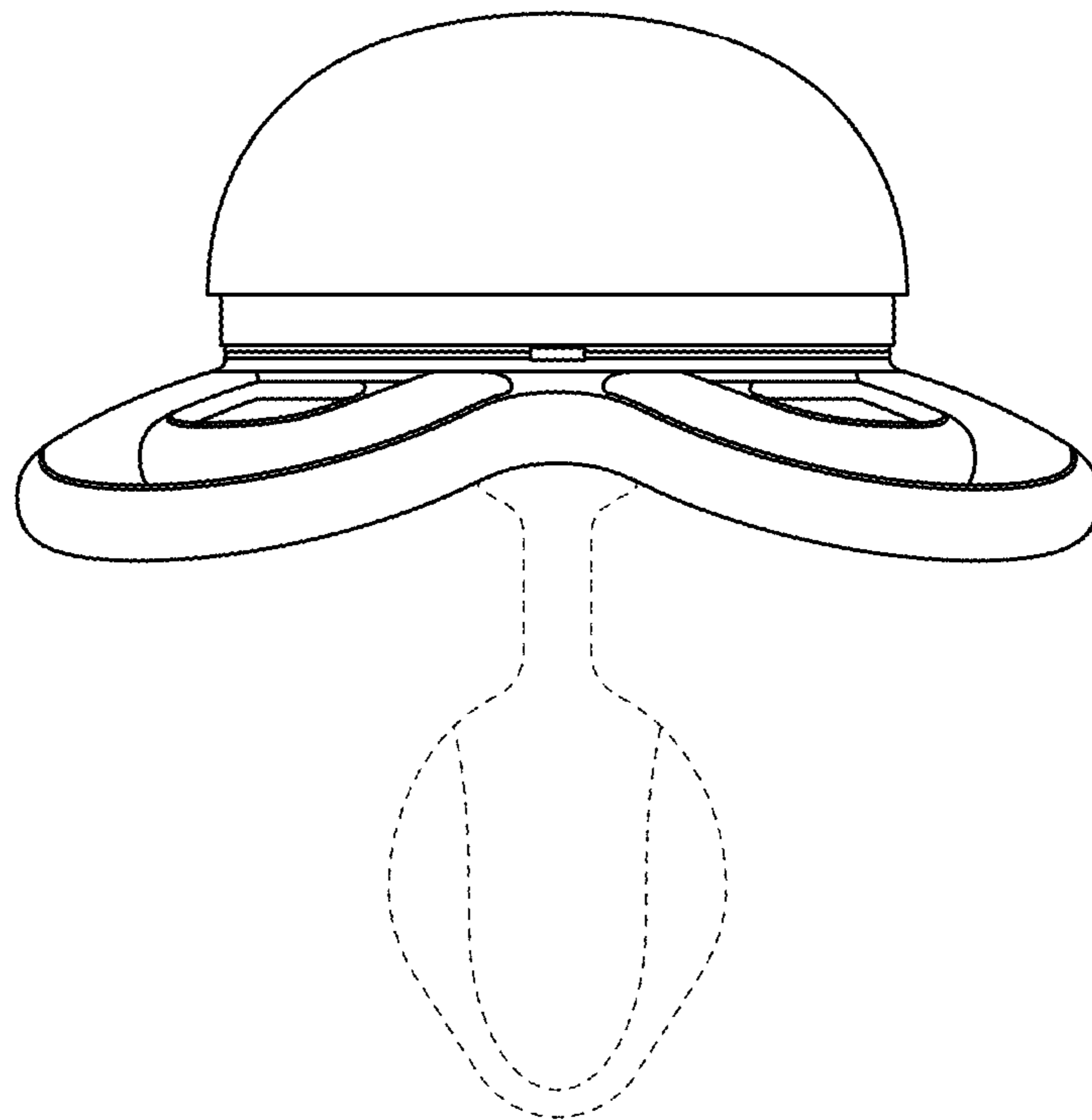


FIG. 4

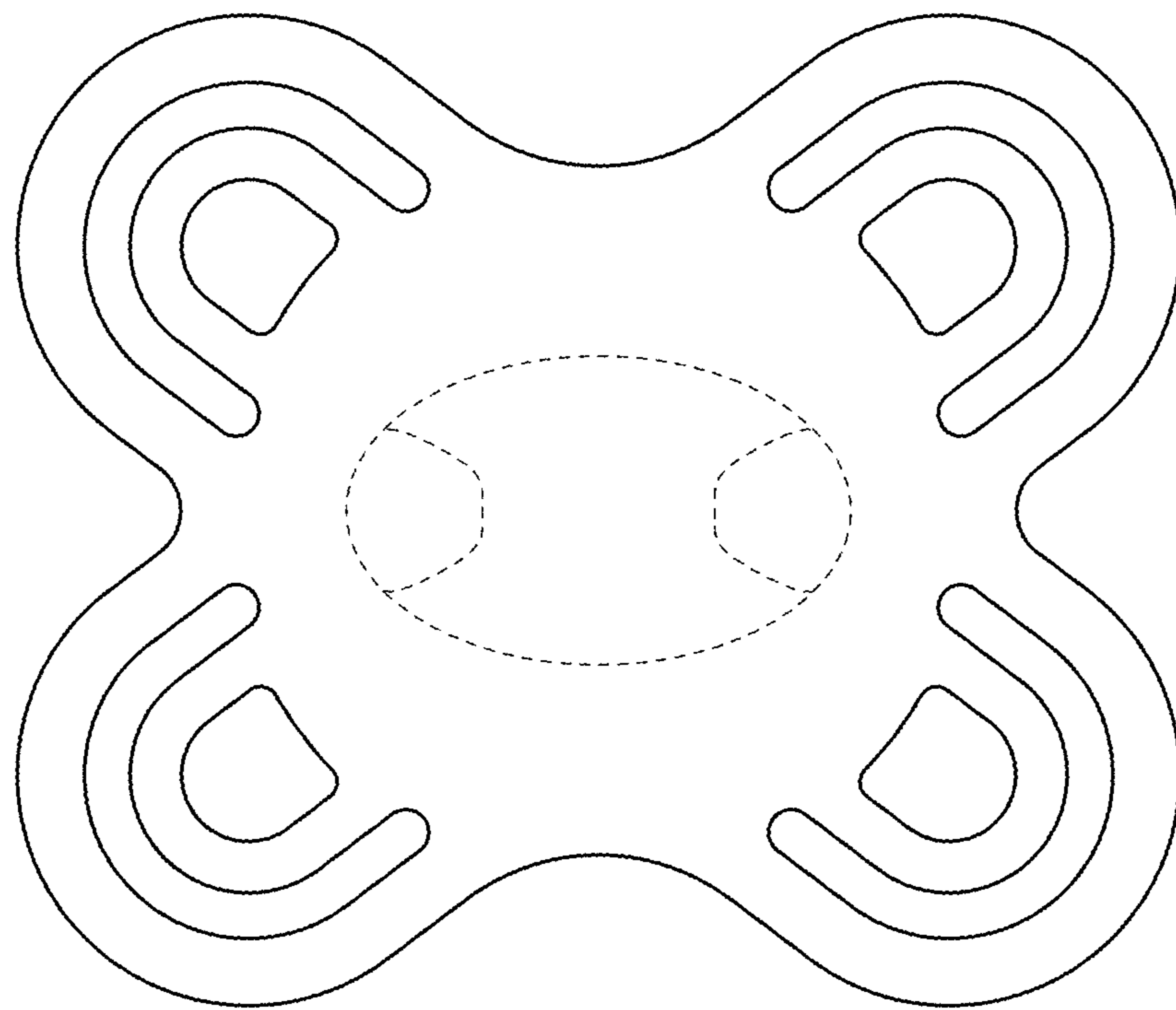


FIG. 5