



US00D872284S

(12) **United States Design Patent** (10) **Patent No.:** **US D872,284 S**
Köppel et al. (45) **Date of Patent:** **** Jan. 7, 2020**

(54) **OPHTHALMOLOGIC APPARATUS**

(71) Applicant: **THIS AG**, Heerbrugg (CH)

(72) Inventors: **Thomas Köppel**, Widnau (CH); **Marco Zünd**, Widnau (CH); **Markus Cafadér**, Brugg (CH); **Hanspeter Kersten**, Brugg (CH); **Raimund Erdmann**, Brugg (CH)

(73) Assignee: **THIS AG**, Heerbrugg (CH)

(**) Term: **15 Years**

(21) Appl. No.: **29/600,172**

(22) Filed: **Apr. 10, 2017**

(30) **Foreign Application Priority Data**

| | | | |
|--------------|------|-------|---------|
| Nov. 3, 2016 | (CH) | | 1266901 |
| Nov. 3, 2016 | (EM) | | 1266901 |
| Nov. 3, 2016 | (LI) | | 1266901 |

(51) **LOC (12) Cl.** **24-01**

(52) **U.S. Cl.**
USPC **D24/185**

(58) **Field of Classification Search**
USPC D24/107–108, 128, 144, 150, 158, 160,
D24/169, 172, 184–186, 234; 600/4, 5,
600/6, 22, 65, 67, 27

(Continued)

(56) **References Cited**

U.S. PATENT DOCUMENTS

| | | | | | |
|------------|---|---------|---------|-------|---------|
| D352,106 S | * | 11/1994 | Fanney | | D24/108 |
| D434,502 S | * | 11/2000 | Gallant | | D24/185 |

(Continued)

Primary Examiner — Barbara Fox

Assistant Examiner — Mary Shannon Malley

(74) *Attorney, Agent, or Firm* — Nutter McClennen & Fish LLP

(57) **CLAIM**

The ornamental design for an ophthalmologic apparatus, as shown and described.

DESCRIPTION

This application is related to U.S. design application Ser. No. 29/600,176 entitled “Cassette for Ophthalmologic Apparatus” that claims the same priority.

This application is related to U.S. design application Ser. No. 29/600,184 entitled “Pedal for Ophthalmologic Apparatus”.

The contents of these three related applications are incorporated herein by reference in their respective entireties.

FIG. 1 is a right-front perspective view of an ophthalmologic apparatus in accordance with the present invention.

FIG. 2 is a right-rear perspective view of the apparatus.

FIG. 3 is a left-rear perspective view of the apparatus.

FIG. 4 is a left-front perspective view of the apparatus.

FIG. 5 is a left elevation view of the apparatus.

FIG. 6 is a front elevation view of the apparatus.

FIG. 7 is a right elevation view of the apparatus.

FIG. 8 is a rear elevation view of the apparatus.

FIG. 9 is a top view of the apparatus.

FIG. 10 is a rear perspective view of the apparatus with the tray dismounted and the display in an alternative position.

FIG. 11 is a rear perspective view of the apparatus with the tray dismounted and the lid of the container open.

FIG. 12 is a rear perspective view of the apparatus with the tray dismounted and the display in another alternative position.

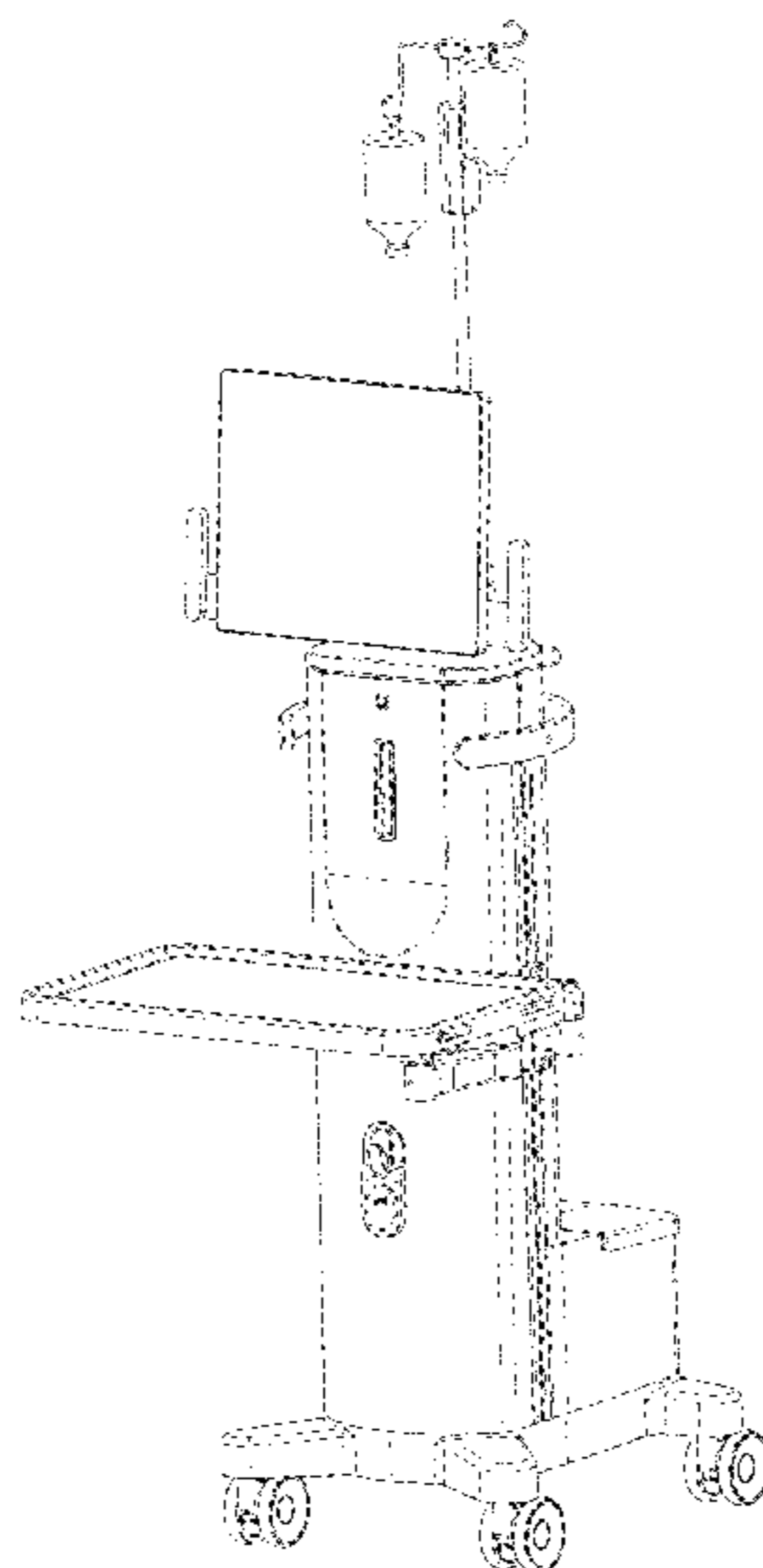
FIG. 13 is a right-front perspective view of the apparatus with the tray in another alternative position.

FIG. 14 is a left-front perspective view of the apparatus with the tray in another alternative position; and,

FIG. 15 is a left-front perspective view of the apparatus with the tray in another alternative position.

The broken lines depict portions of the ophthalmologic apparatus that form no part of the claimed design.

1 Claim, 15 Drawing Sheets



(58) **Field of Classification Search**

CPC A61F 9/007; A61F 9/00745; A61F 9/008;
A61B 50/13; A61B 50/10; A61B 5/742;
A61B 2017/00017; A61B 2017/00199;
A61B 2560/0431; A61B 2560/0437;
A61B 2560/0443

See application file for complete search history.

(56) **References Cited**

U.S. PATENT DOCUMENTS

| | | | | | |
|-----------|------|---------|-----------|-------|------------------------|
| D492,997 | S * | 7/2004 | DiStasio | | D24/158 |
| D619,264 | S * | 7/2010 | Livengood | | D24/185 |
| D692,563 | S * | 10/2013 | Naef | | D24/172 |
| D699,852 | S * | 2/2014 | Chung | | D24/158 |
| 8,939,927 | B2 * | 1/2015 | Sorensen | | A61F 9/00745 604/22 |
| D735,868 | S * | 8/2015 | Mareguddi | | D24/185 |
| D752,231 | S * | 3/2016 | Halter | | D24/185 |
| D781,411 | S * | 3/2017 | Polaniec | | D24/107 |
| 9,681,982 | B2 * | 6/2017 | Yacono | | A61F 9/00745 |

* cited by examiner

FIG. 1

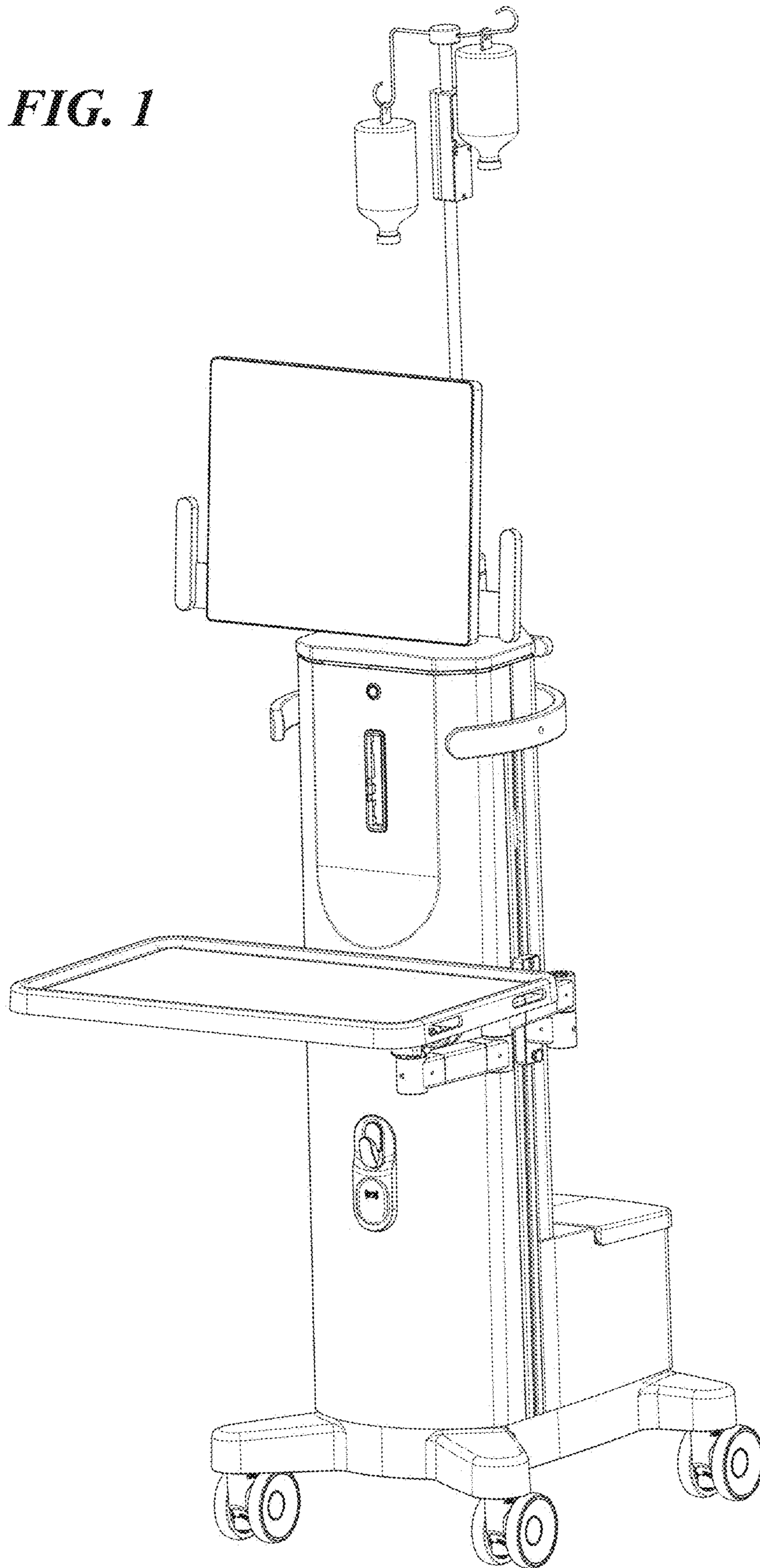
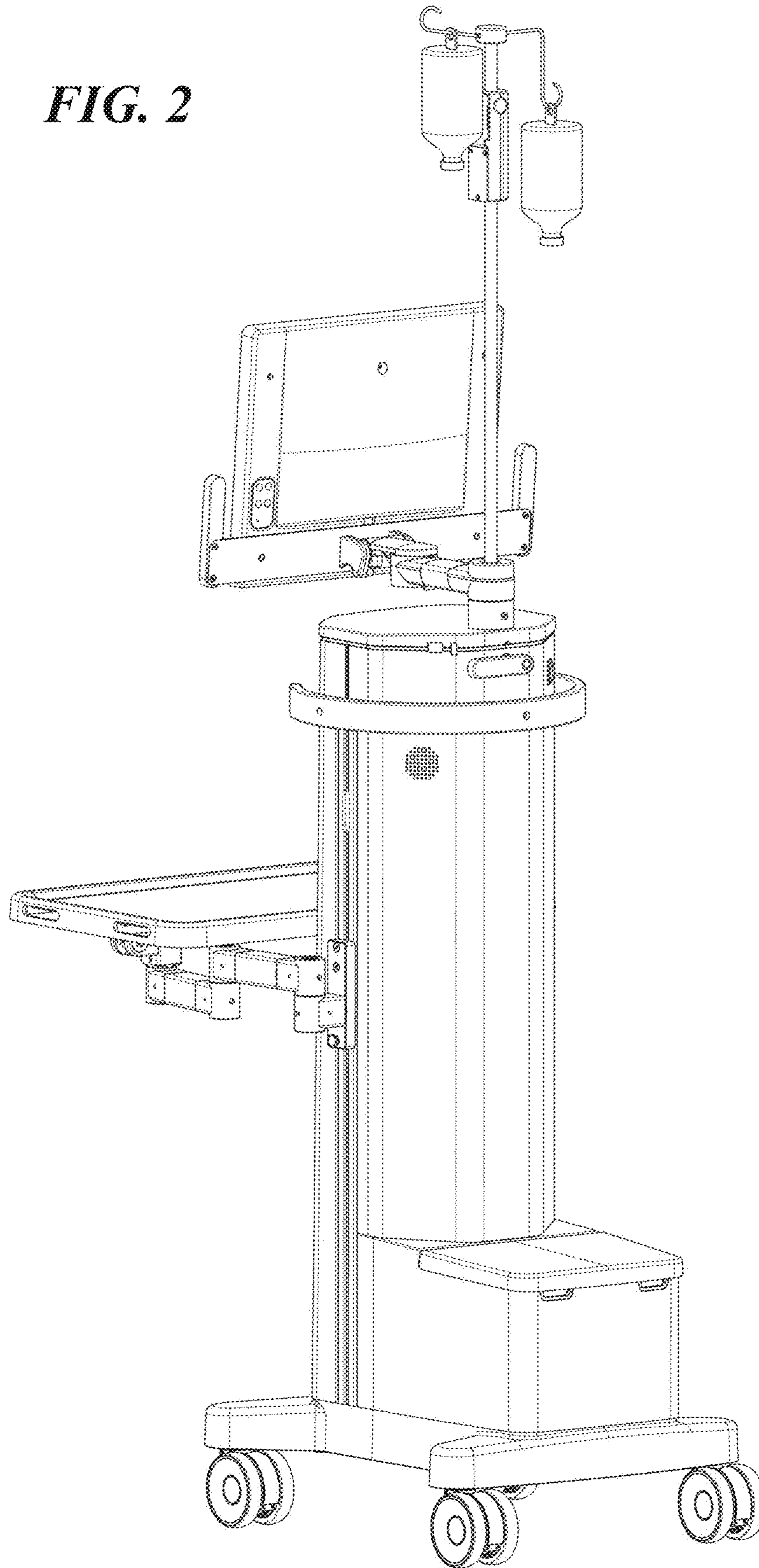


FIG. 2



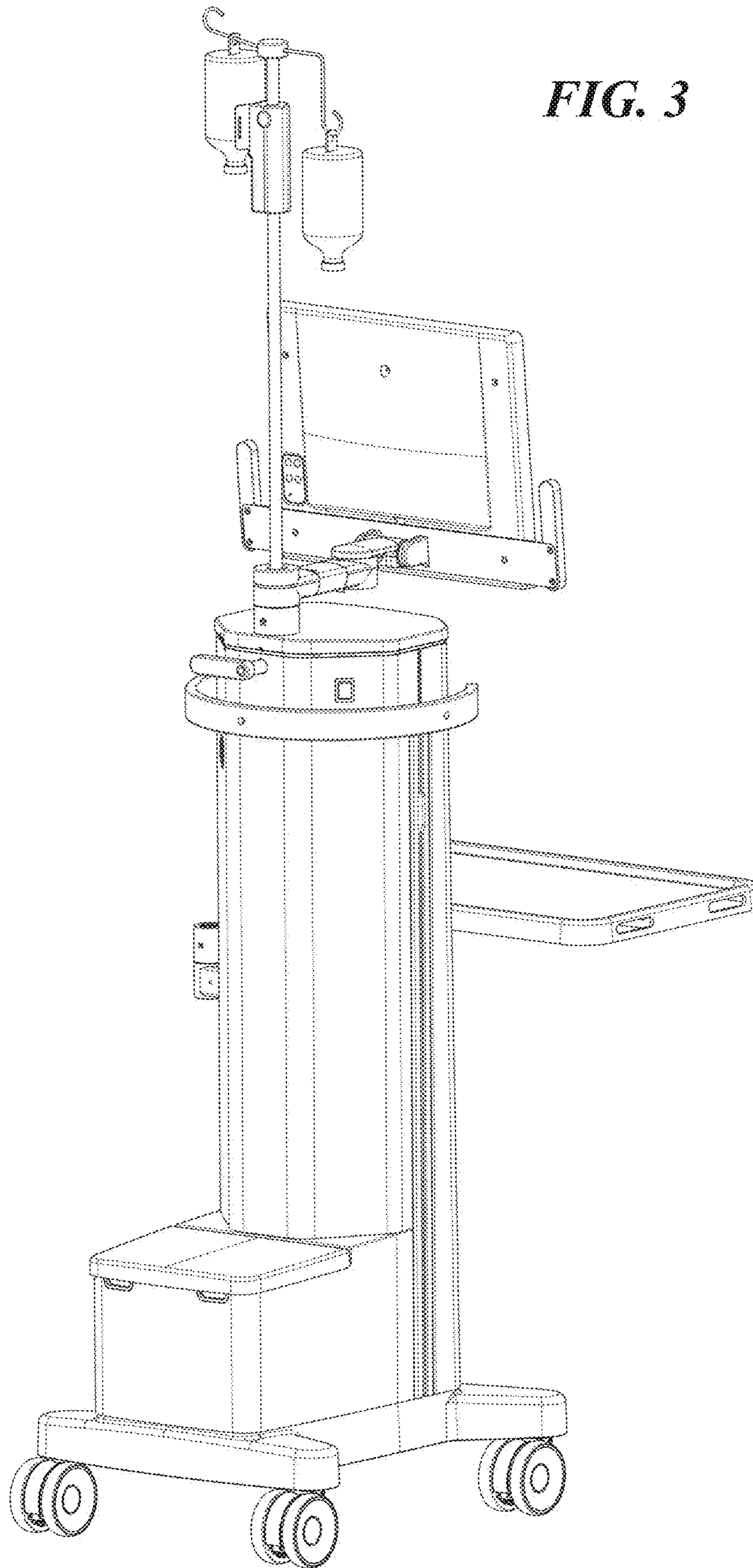


FIG. 3

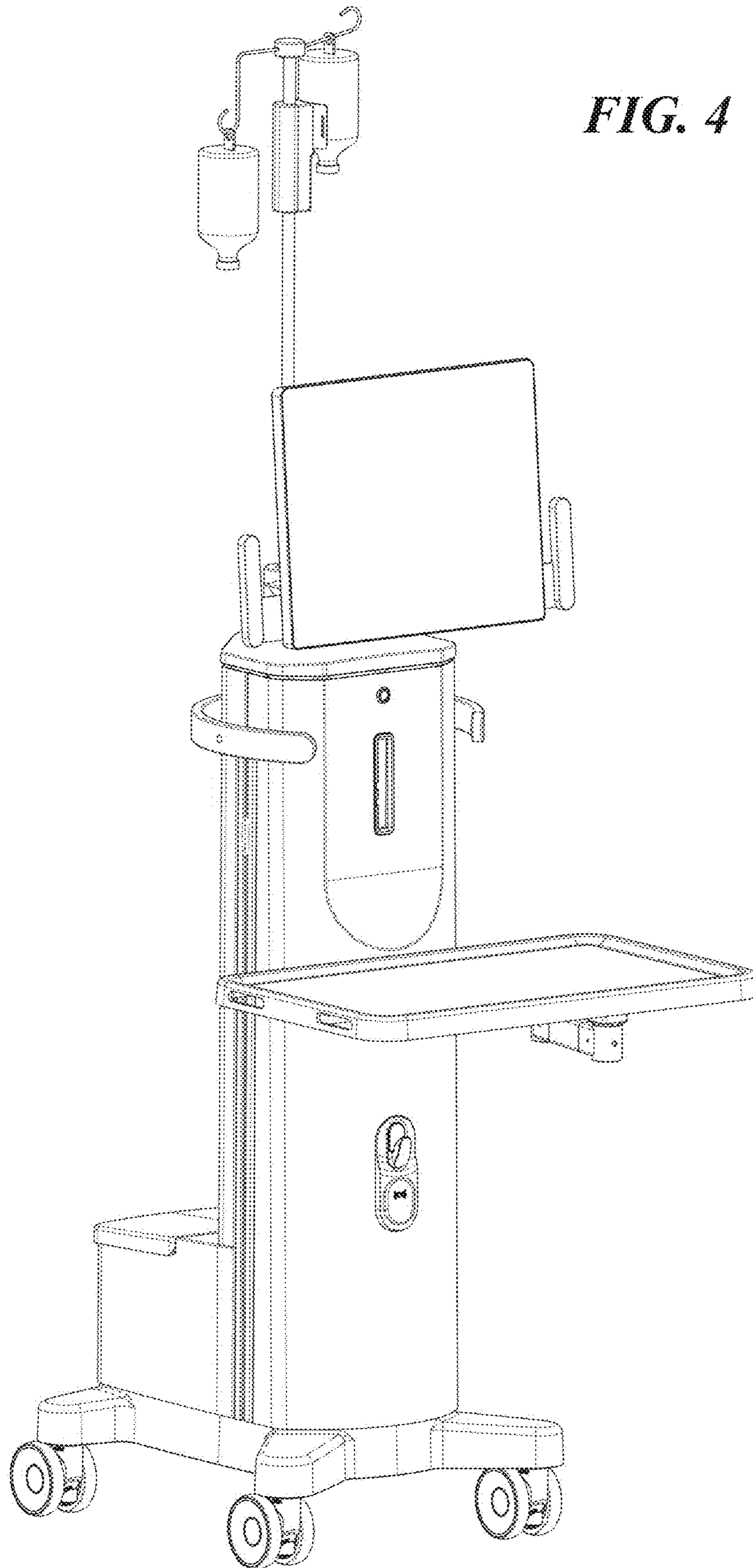


FIG. 4

FIG. 5

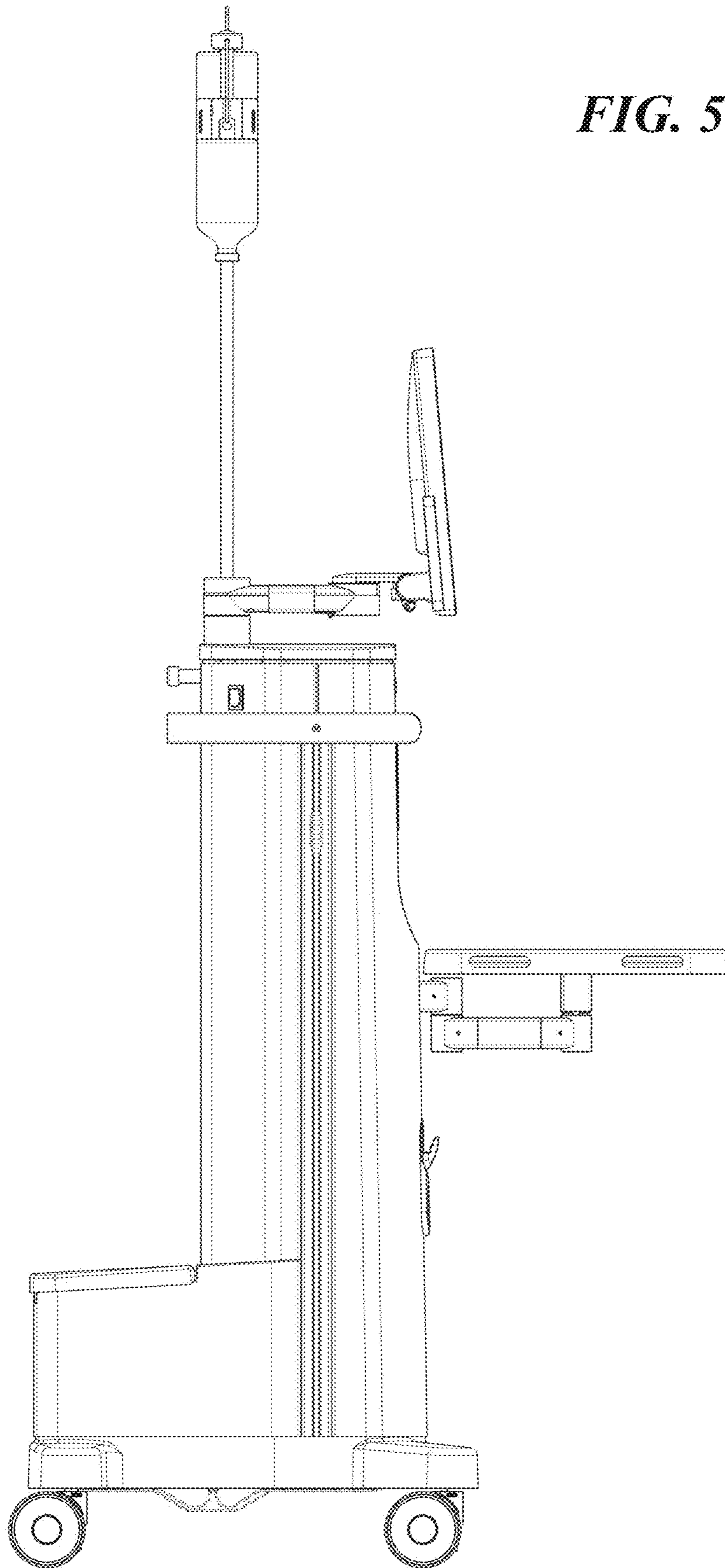


FIG. 6

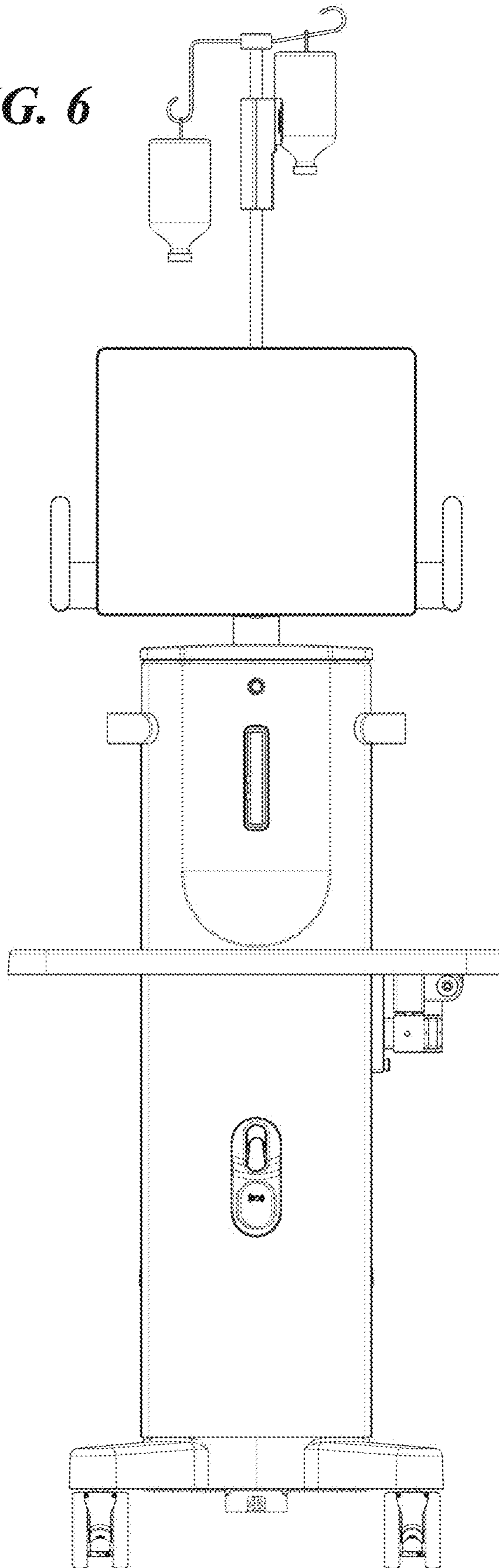


FIG. 7

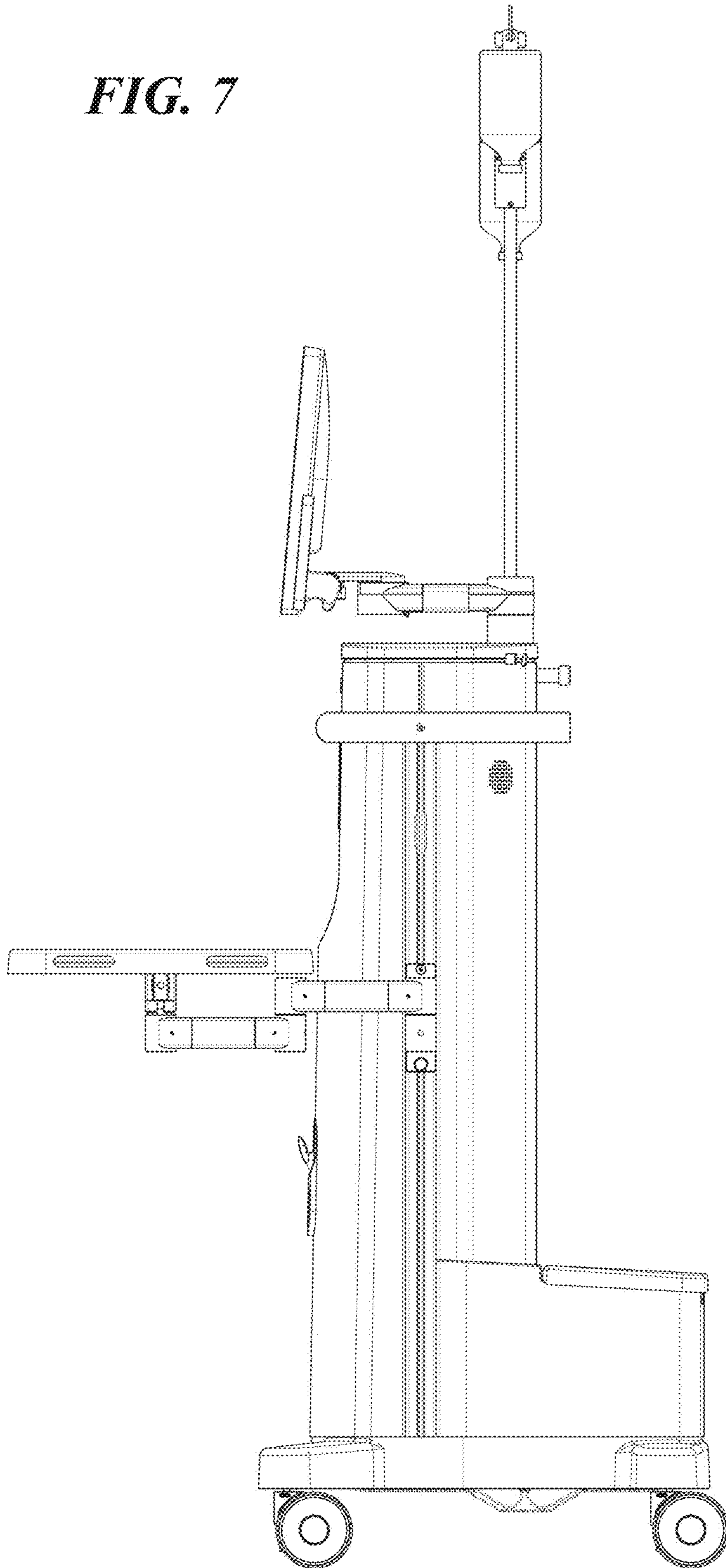
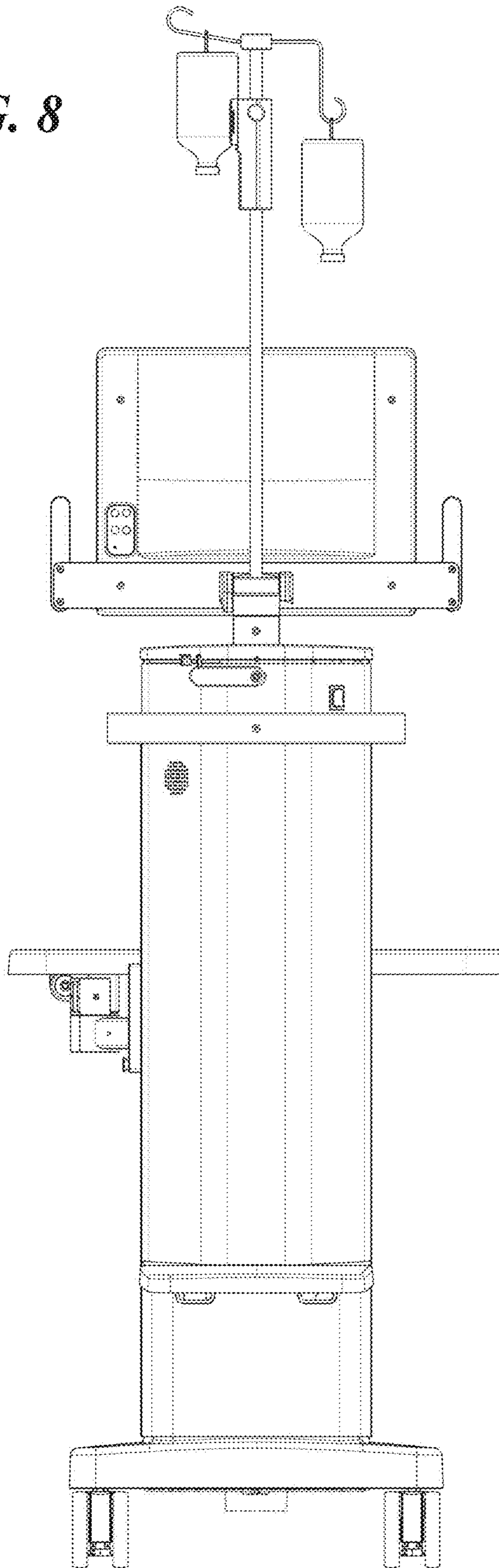


FIG. 8



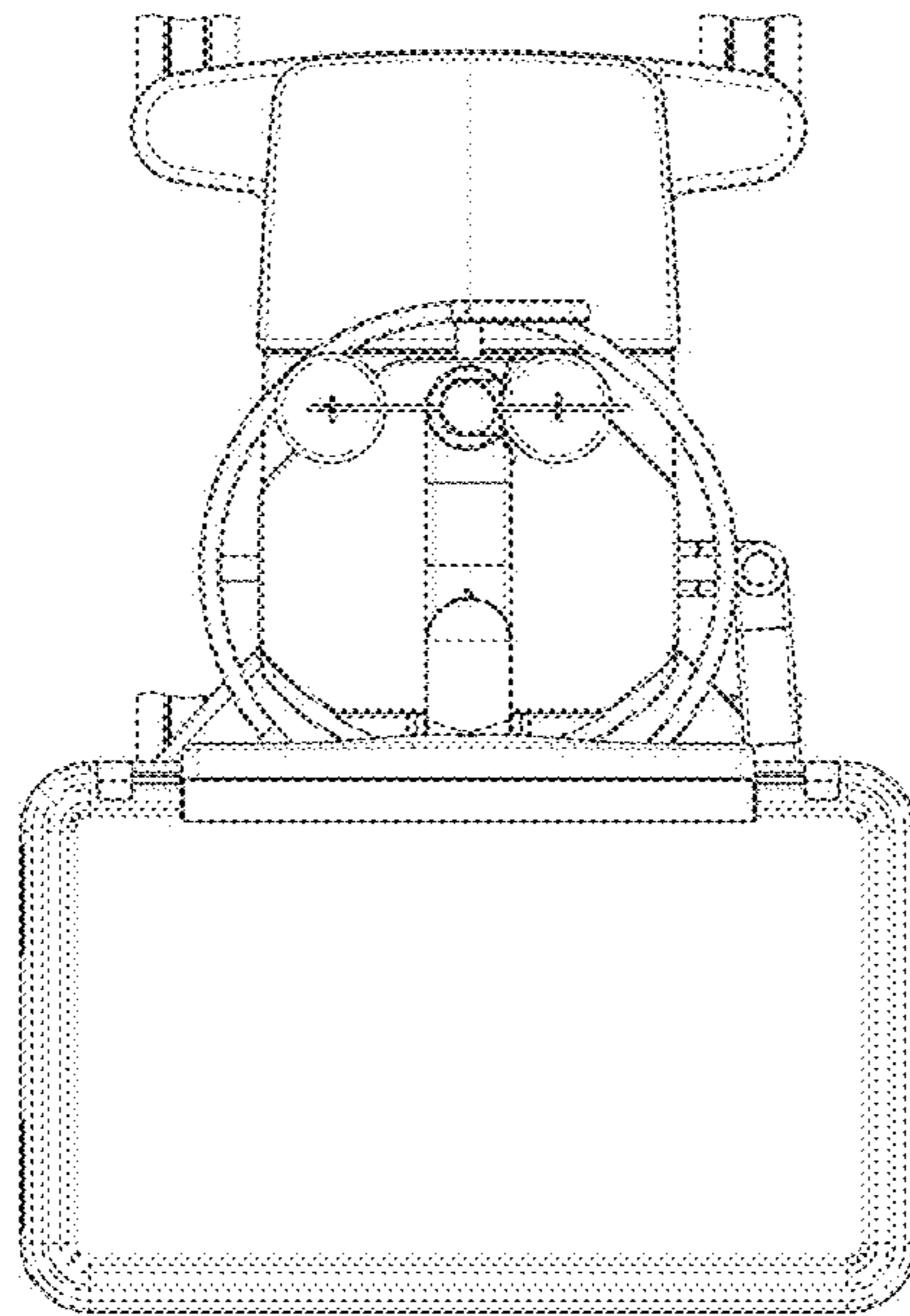


FIG. 9

FIG. 10

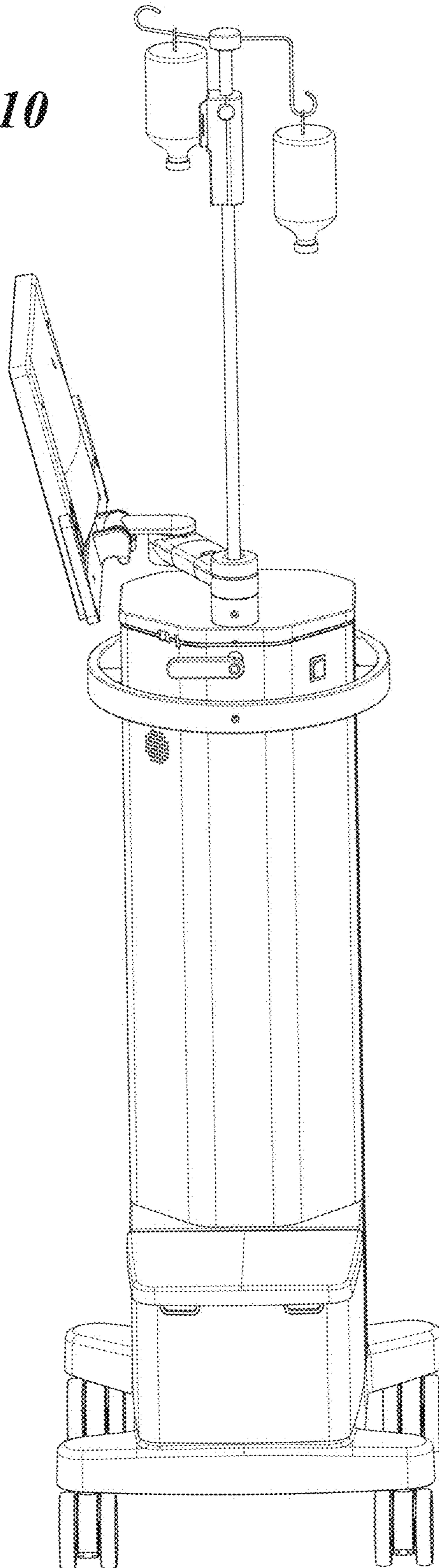


FIG. 11

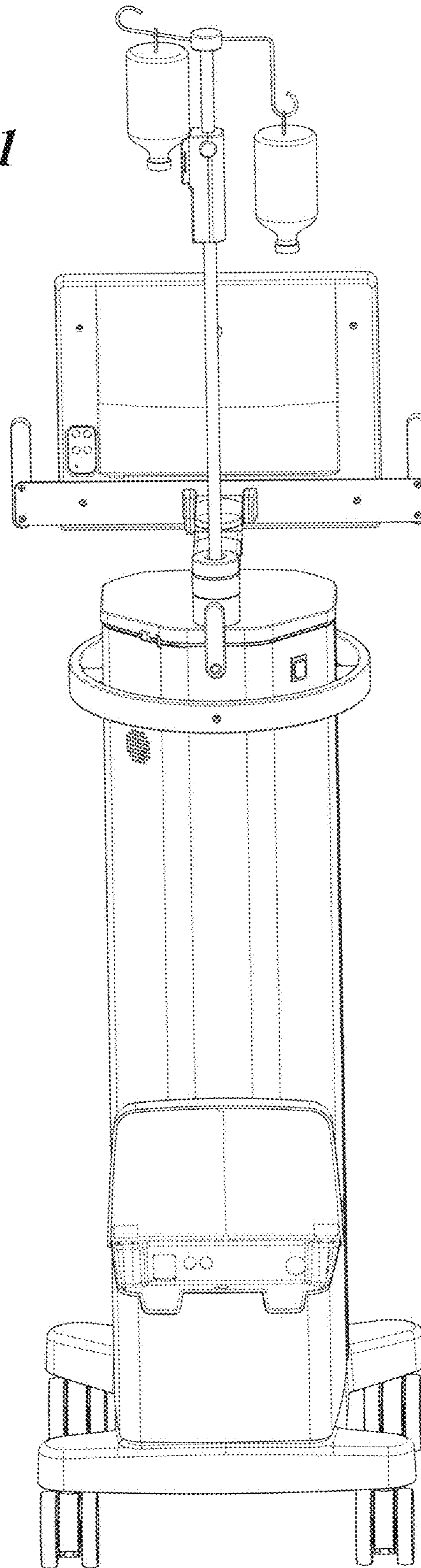
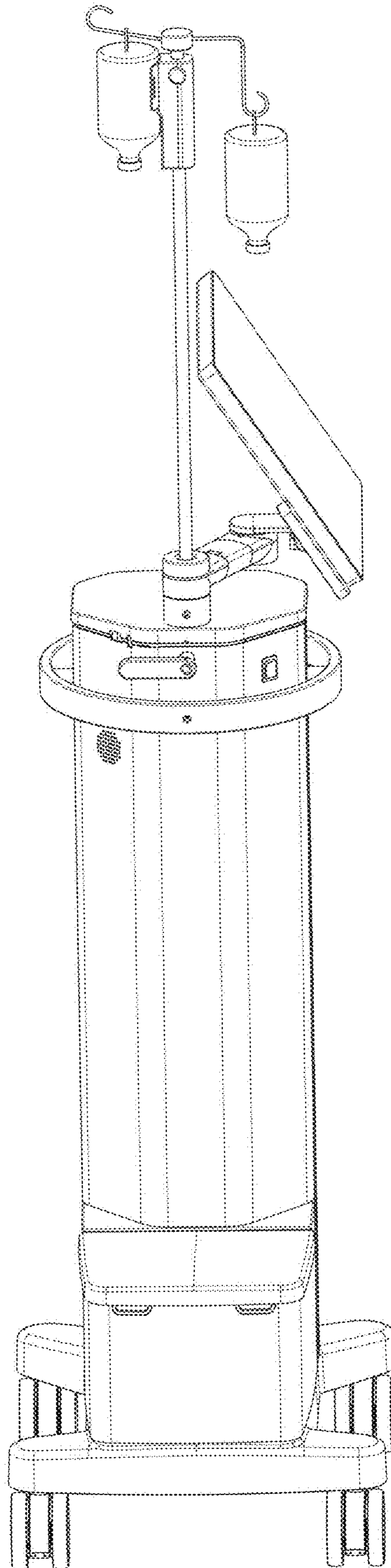


FIG. 12



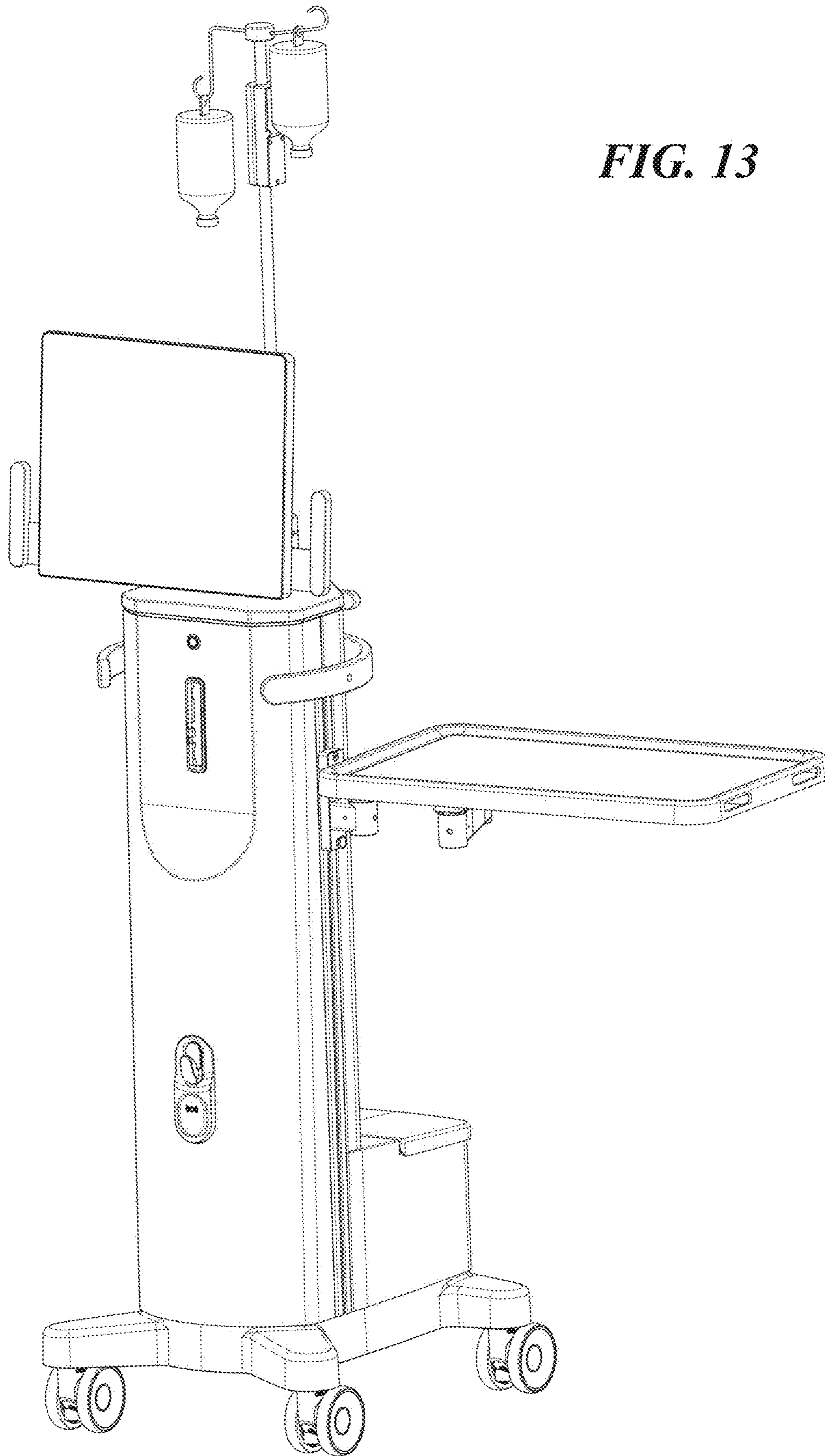


FIG. 13

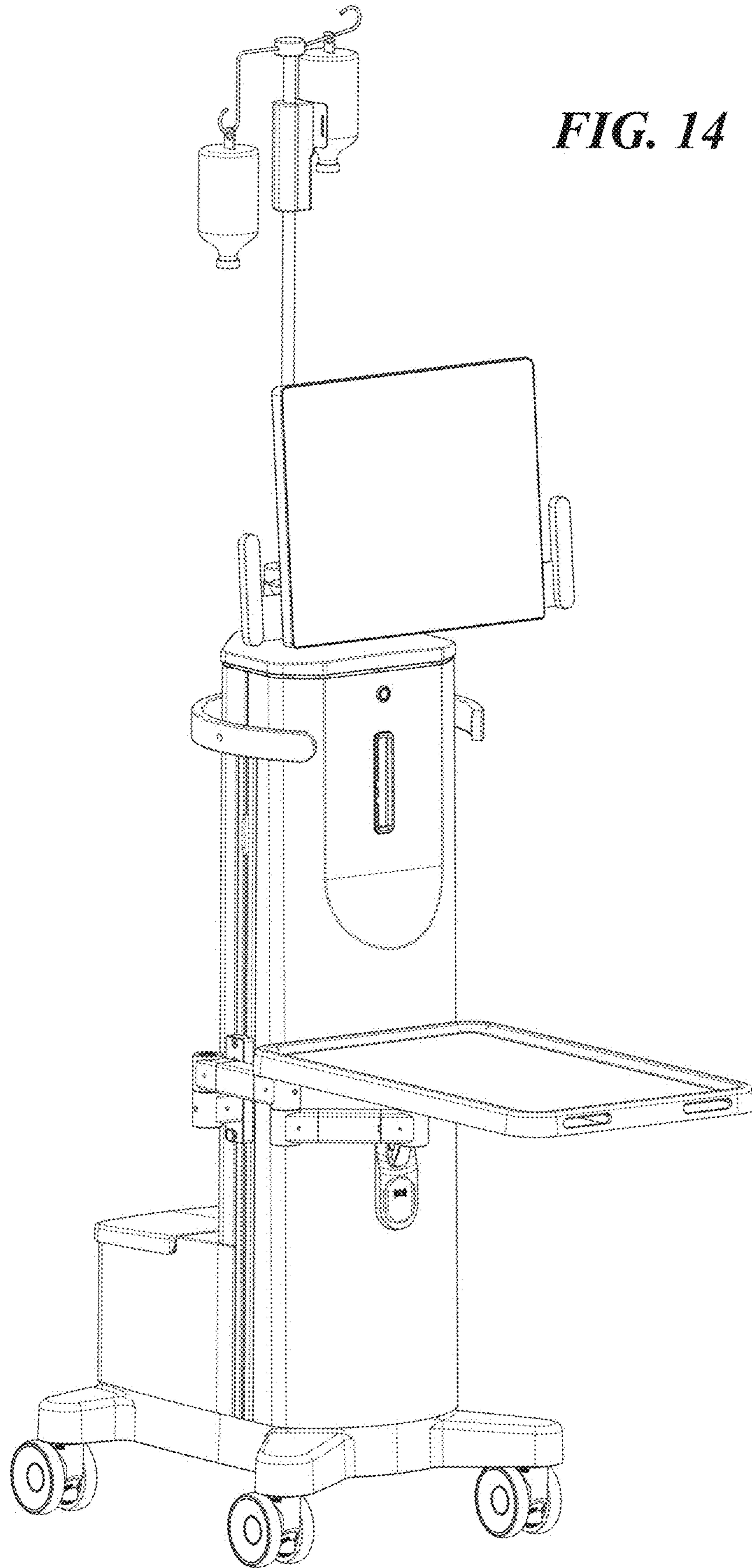


FIG. 14

FIG. 15

