



US00D872283S

(12) **United States Design Patent**
Hallee et al.

(10) **Patent No.:** **US D872,283 S**
(45) **Date of Patent:** **** Jan. 7, 2020**

(54) **POINT OF CARE DEVICE**

(71) Applicant: **EasyDx, Inc.**, Roseville, MN (US)

(72) Inventors: **Nathaniel R. Hallee**, Minneapolis, MN (US); **Randall Kurt Seeliger**, Afton, MN (US); **Thomas Paul Brastad**, Ramsey, MN (US); **Martin P. Babcock**, White Bear Lake, MN (US); **James D. Kurkowski**, Roseville, MN (US); **Scott Everett Blomberg**, Plymouth, MN (US)

(73) Assignee: **EasyDx, Inc.**, Roseville, MN (US)

(**) Term: **15 Years**

(21) Appl. No.: **29/559,020**

(22) Filed: **Mar. 23, 2016**

(51) **LOC (12) Cl.** **24-02**

(52) **U.S. Cl.**
USPC **D24/185**

(58) **Field of Classification Search**
USPC D24/185, 169, 183, 216, 186; 348/825;
600/517, 509; 250/339.09; 204/406
CPC ... A61B 6/447; A61B 5/04325; A61B 5/0006;
A61B 5/00; G01N 21/51
See application file for complete search history.

(56) **References Cited**

U.S. PATENT DOCUMENTS

4,531,527 A * 7/1985 Reinhold, Jr. A61B 5/0006
600/509
4,583,553 A * 4/1986 Shah A61B 5/04325
600/517

(Continued)

Primary Examiner — Rhea Shields

(74) *Attorney, Agent, or Firm* — Schwegman Lundberg & Woessner, P.A.

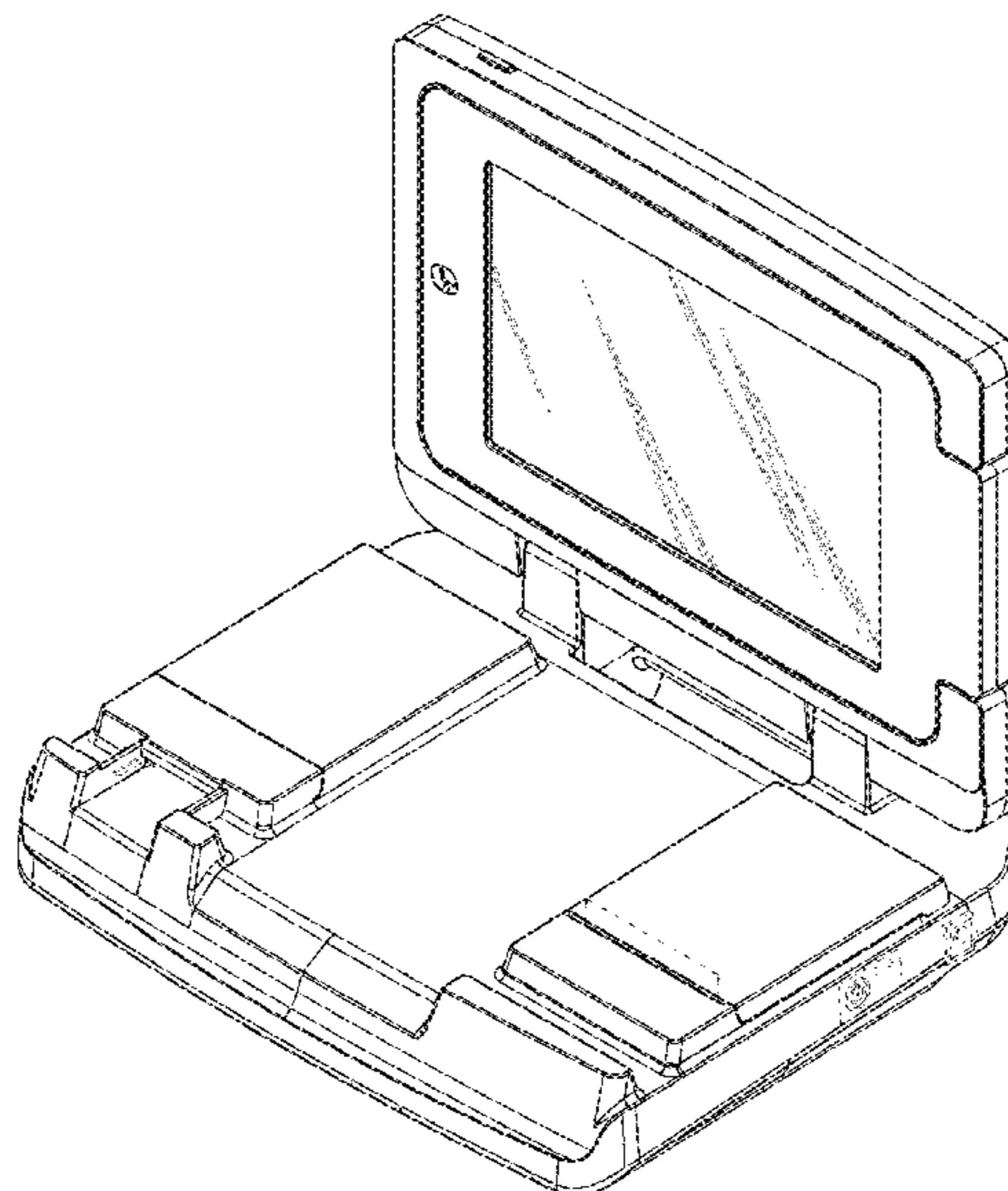
(57) **CLAIM**

The ornamental design for a point of care device, as shown and described.

DESCRIPTION

FIG. 1 is a top perspective view of the point of care device in a closed configuration, showing my new design; FIG. 2 is a top plan view thereof; FIG. 3 is a left side view thereof; FIG. 4 is a front view thereof; FIG. 5 is a right side view thereof; FIG. 6 is a bottom plan view thereof; and FIG. 7 is a bottom perspective view thereof. FIG. 8 is a top perspective view of the point of care device in an open configuration, showing my new design; FIG. 9 is a top plan view thereof; FIG. 10 is a left side view thereof; FIG. 11 is a front view thereof; FIG. 12 is a right side view thereof; and FIG. 13 is a bottom perspective view thereof. FIG. 14 is a top perspective view of the point of care device in an open configuration, with a screen portion removed, showing my new design; FIG. 15 is a top plan view thereof; FIG. 16 is a left side view thereof; FIG. 17 is a front view thereof; FIG. 18 is a right side view thereof; and FIG. 19 is a bottom perspective view thereof. FIG. 20 is a top perspective view of the screen portion of the point of care device, showing my new design; FIG. 21 is a top plan view thereof; FIG. 22 is a left side view thereof; FIG. 23 is a front view thereof; FIG. 24 is a right side thereof; FIG. 25 is a bottom view thereof; and, FIG. 26 is a bottom perspective view thereof. In the drawings, the broken lines are for the purpose of illustrating environment only and form no part of the claimed design.

1 Claim, 24 Drawing Sheets



(56)

References Cited

U.S. PATENT DOCUMENTS

4,625,731 A * 12/1986 Quedens A61B 6/447
348/825
5,066,859 A * 11/1991 Karkar G01N 21/51
250/339.09
5,781,024 A * 7/1998 Blomberg A61B 5/00
204/406
D437,057 S * 1/2001 Maus D24/169
D459,811 S * 7/2002 Maus D24/169
D551,350 S * 9/2007 Lorimer D24/186
D713,963 S * 9/2014 Liedtke D24/169
D739,037 S * 9/2015 Lin D24/216
D748,807 S * 2/2016 Wawro D24/186
D754,353 S * 4/2016 Pileski D24/183
D759,254 S * 6/2016 Knieriem D24/186
D774,205 S * 12/2016 Grace D24/169
D775,360 S * 12/2016 Berg D24/186
D800,912 S * 10/2017 Uzri D24/216

* cited by examiner

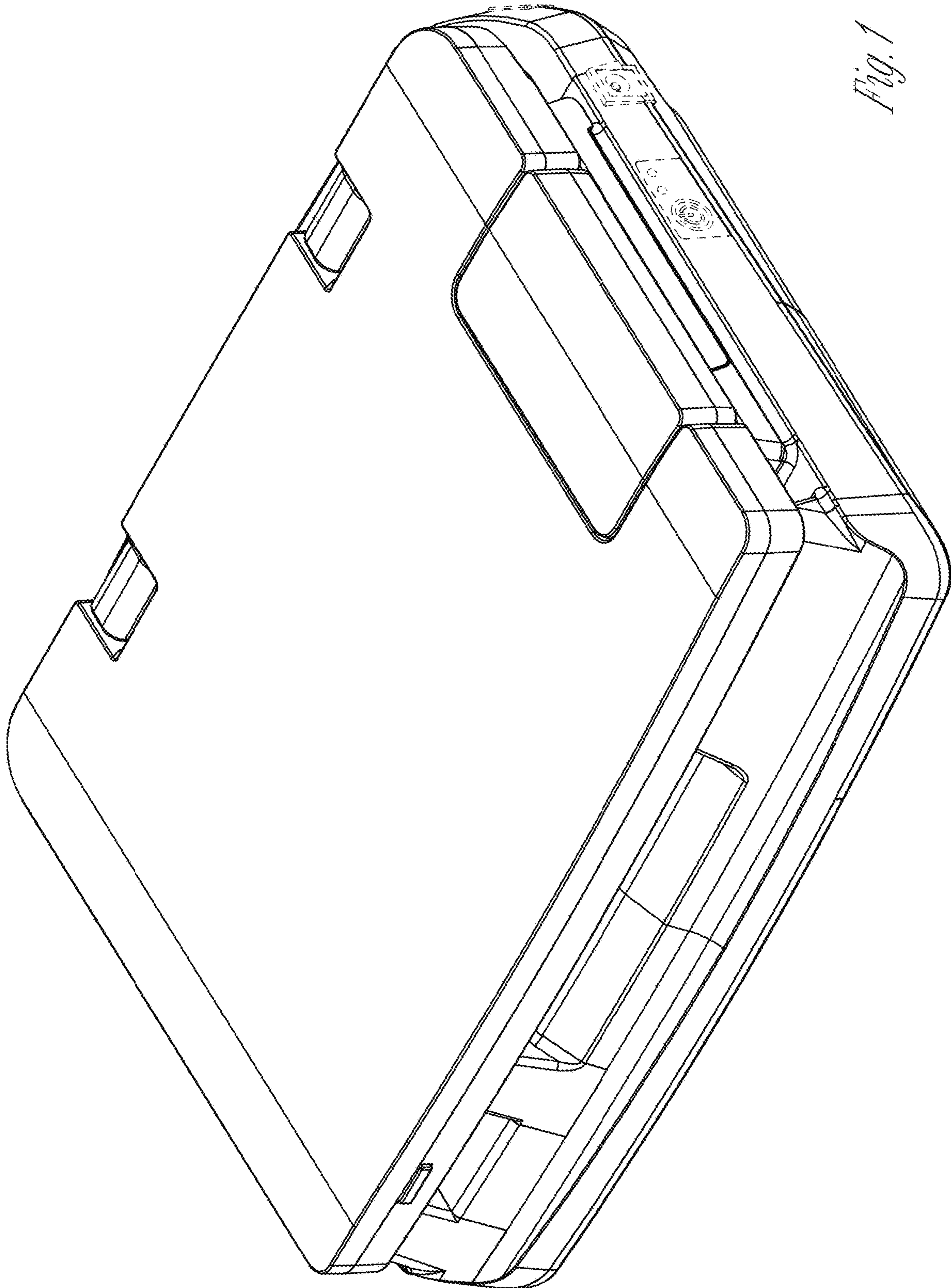
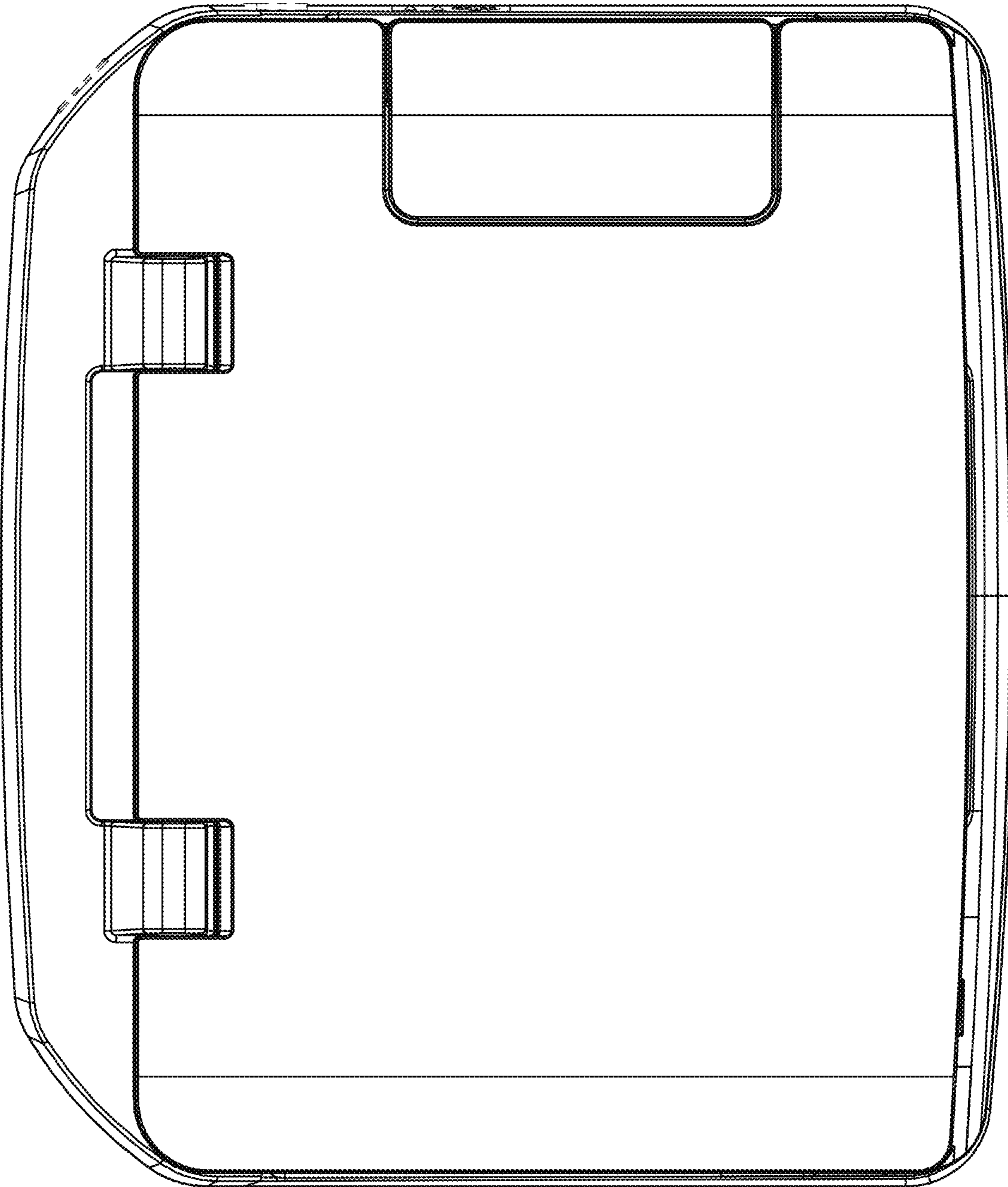


Fig. 2



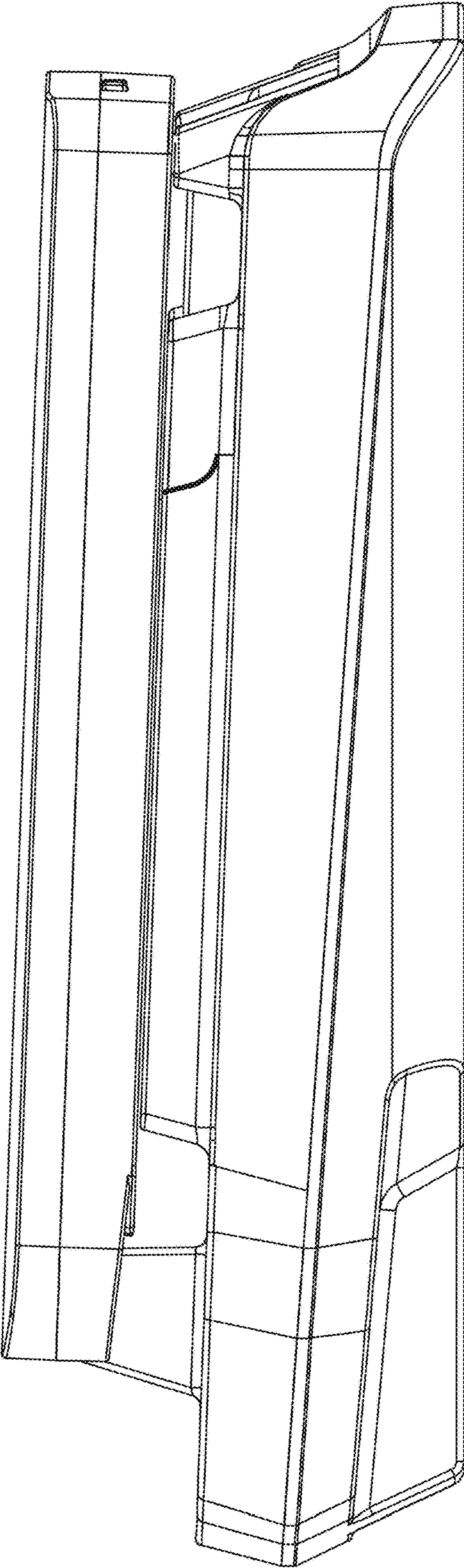


Fig. 3

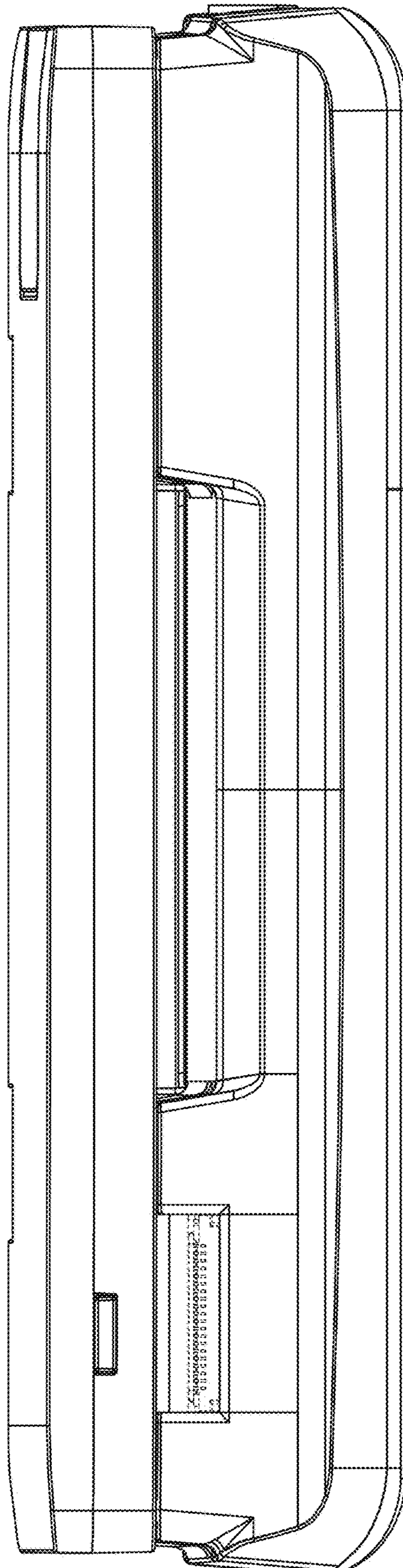


Fig. 4

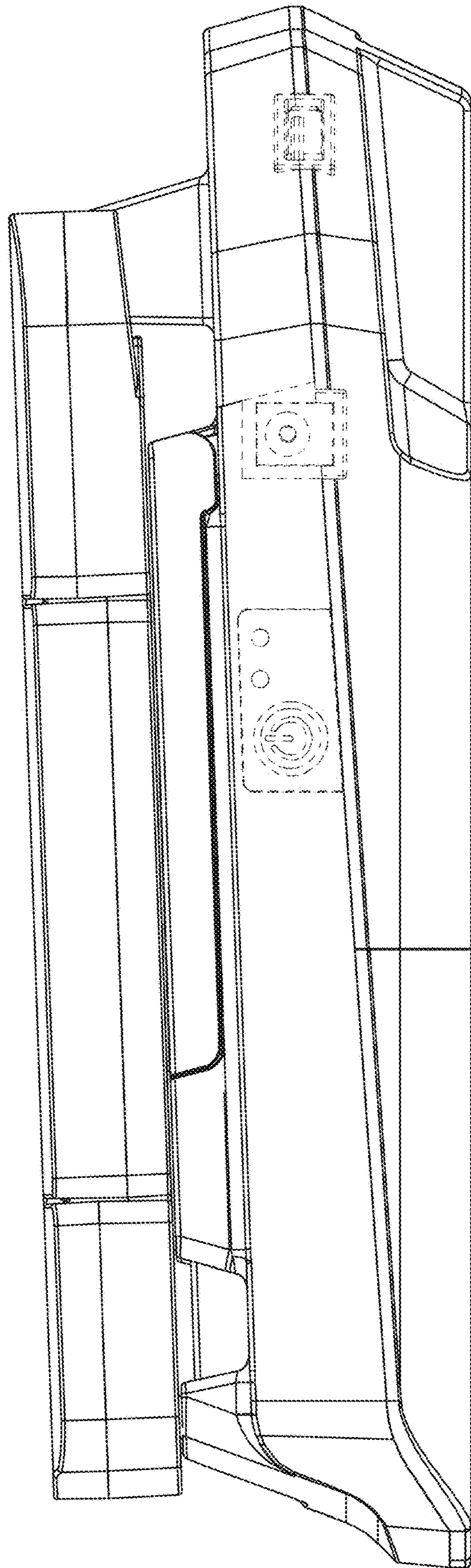
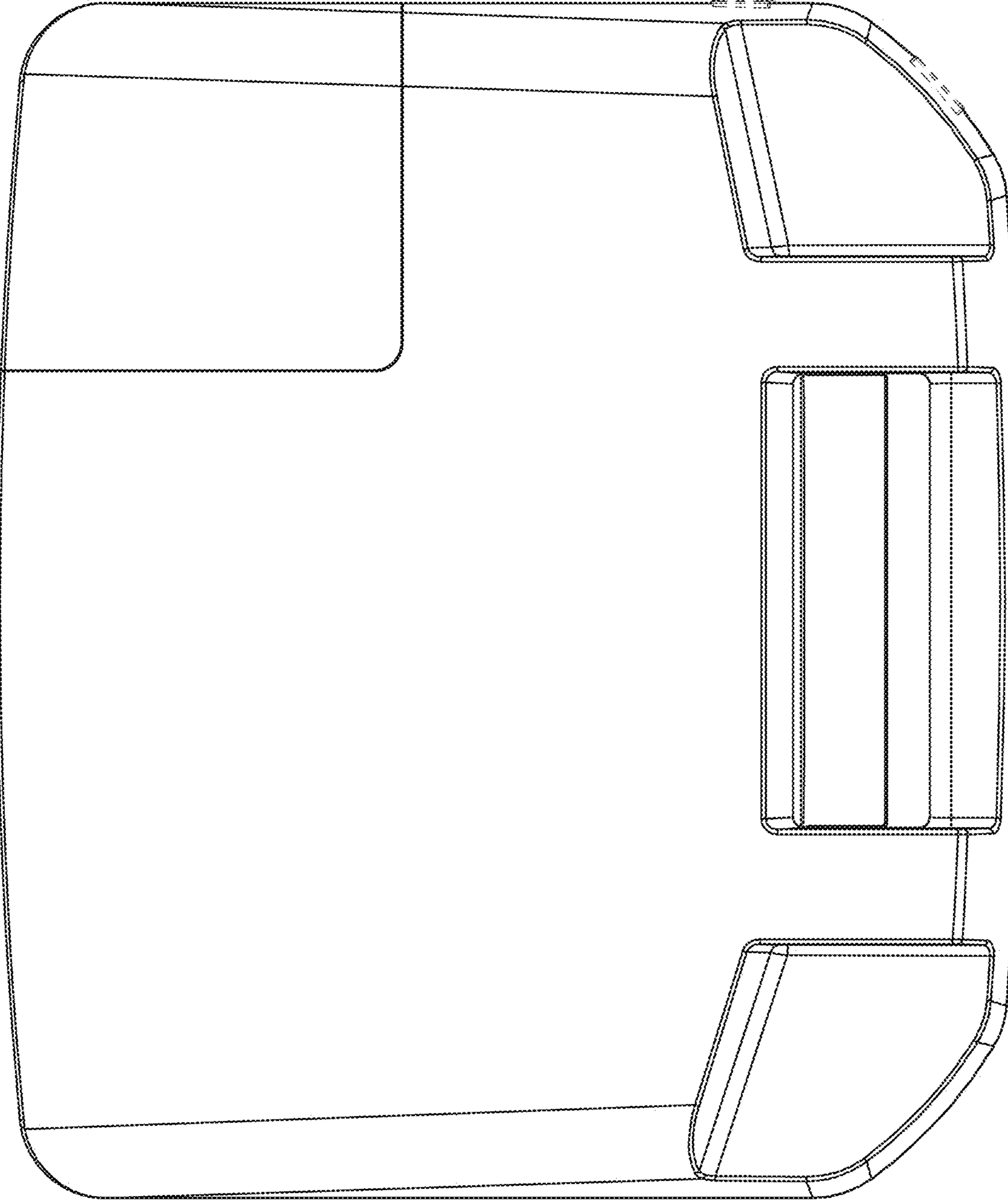


Fig. 5

Fig. 6



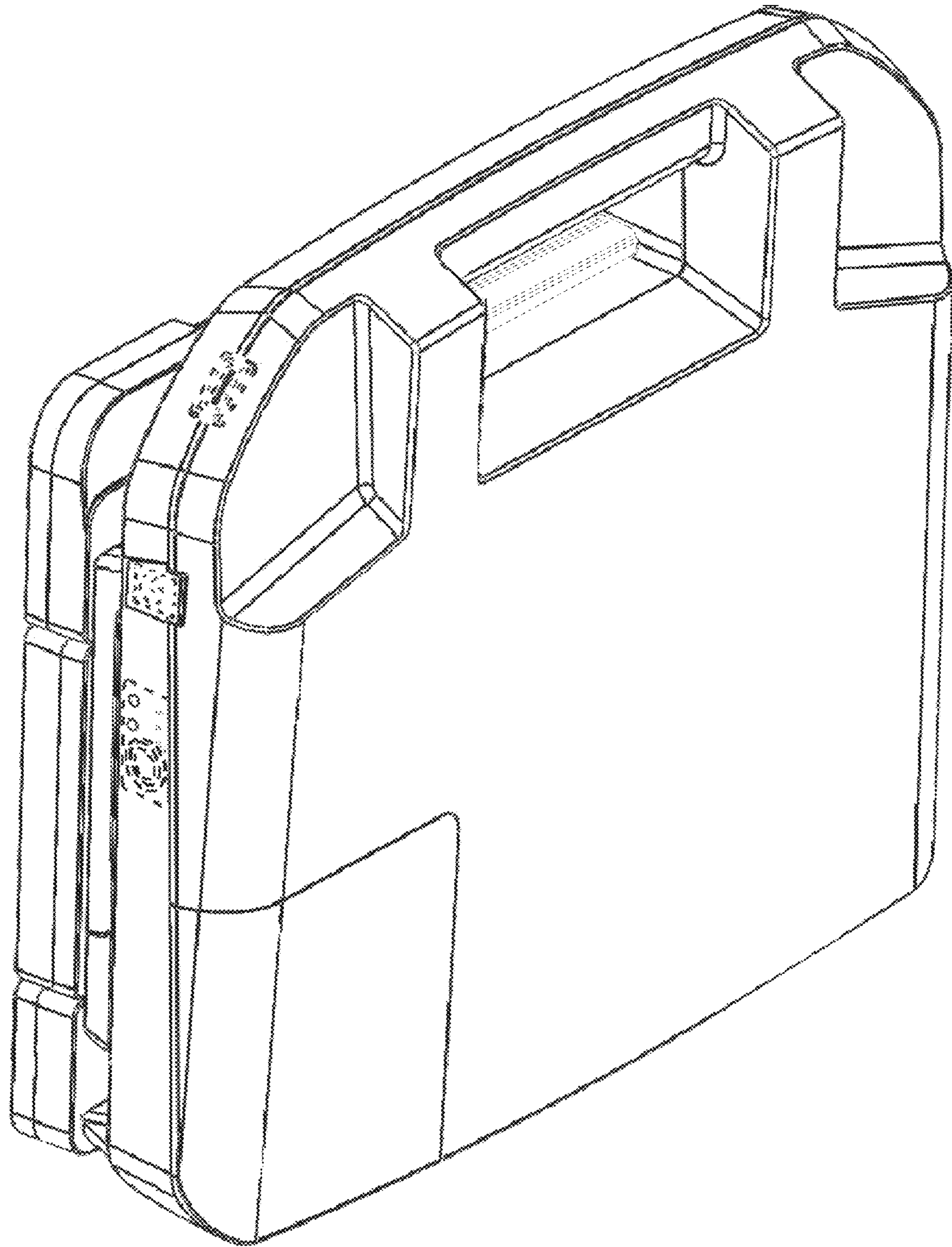


Fig. 7

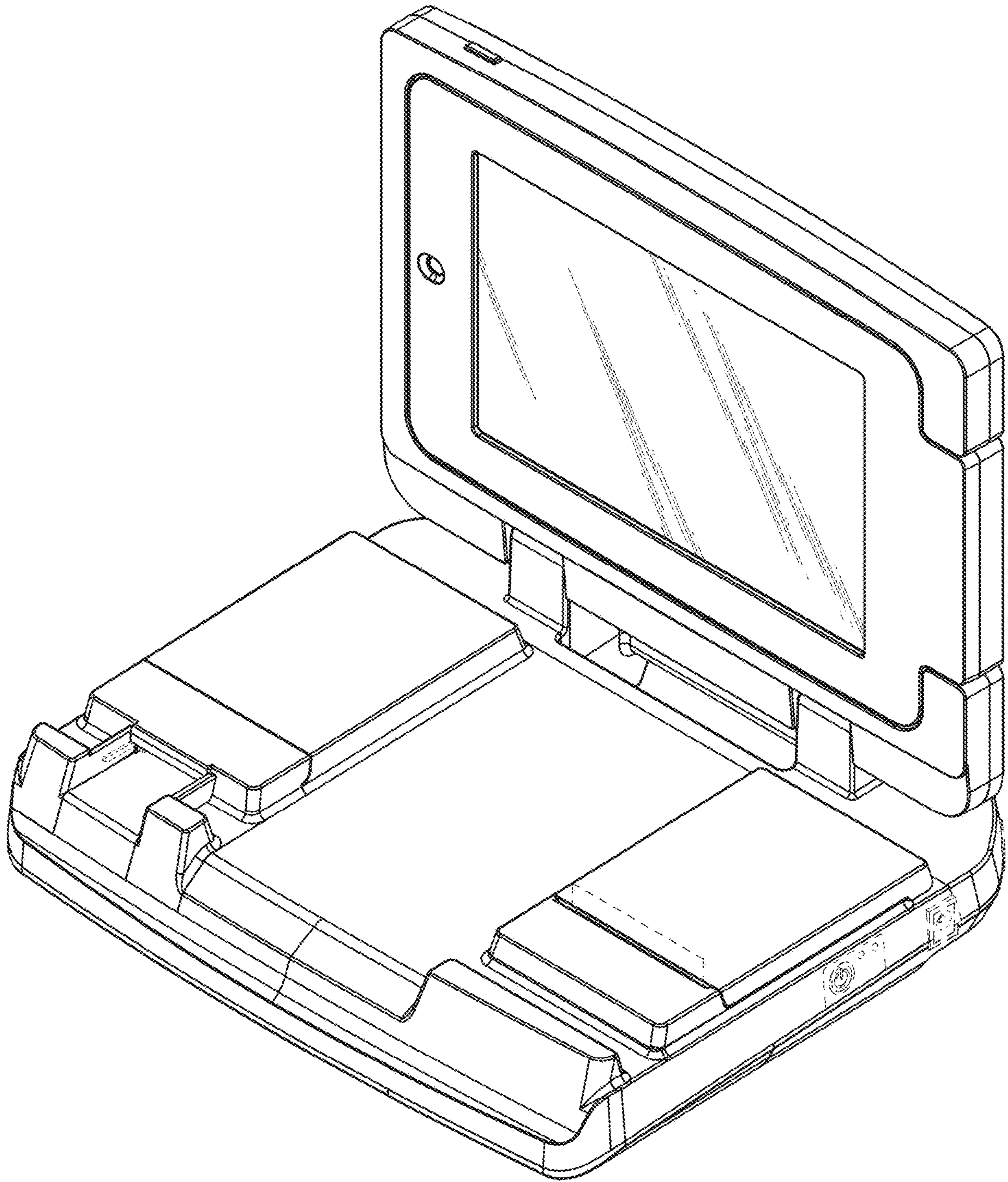
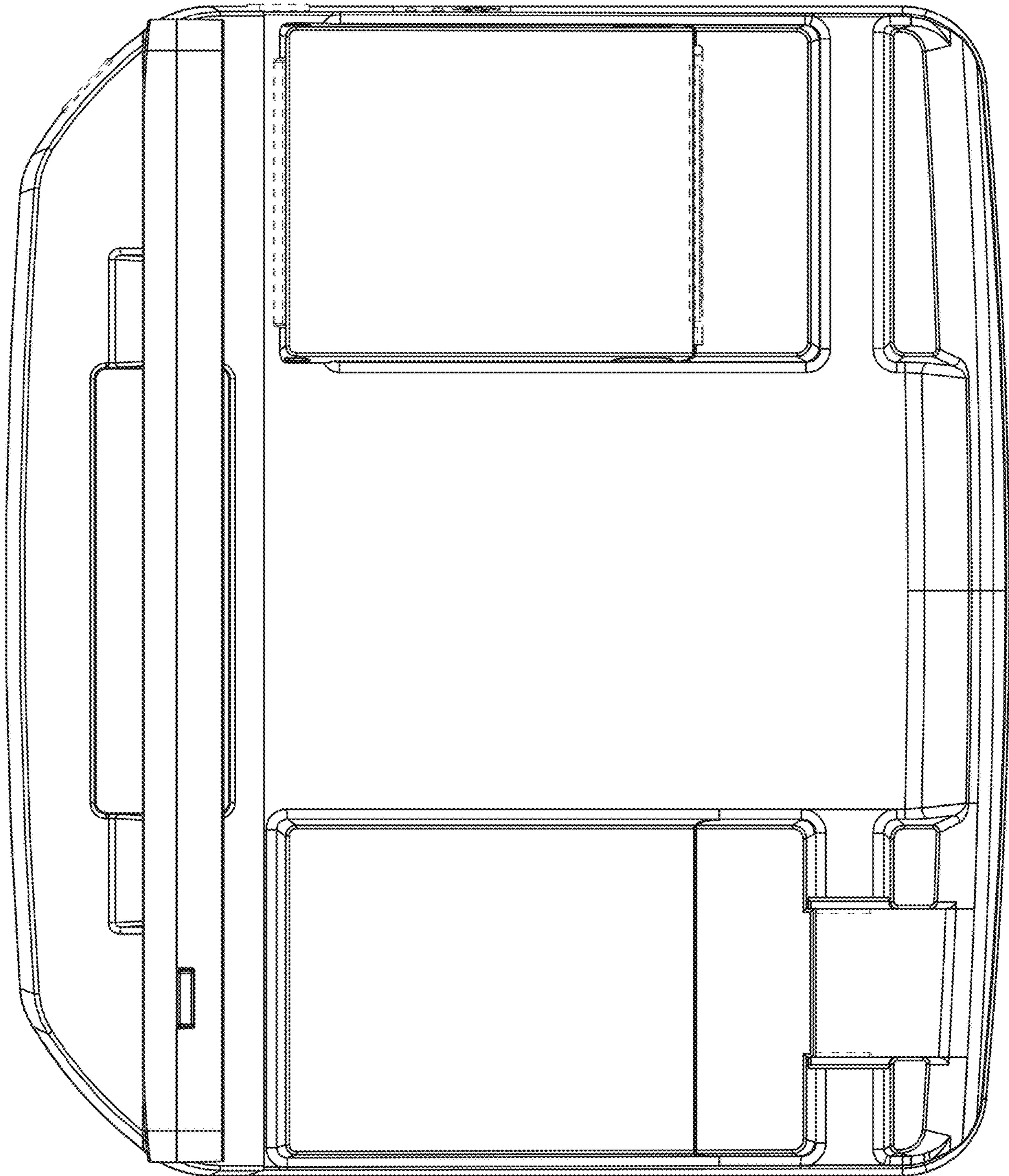


Fig. 8

Fig. 9



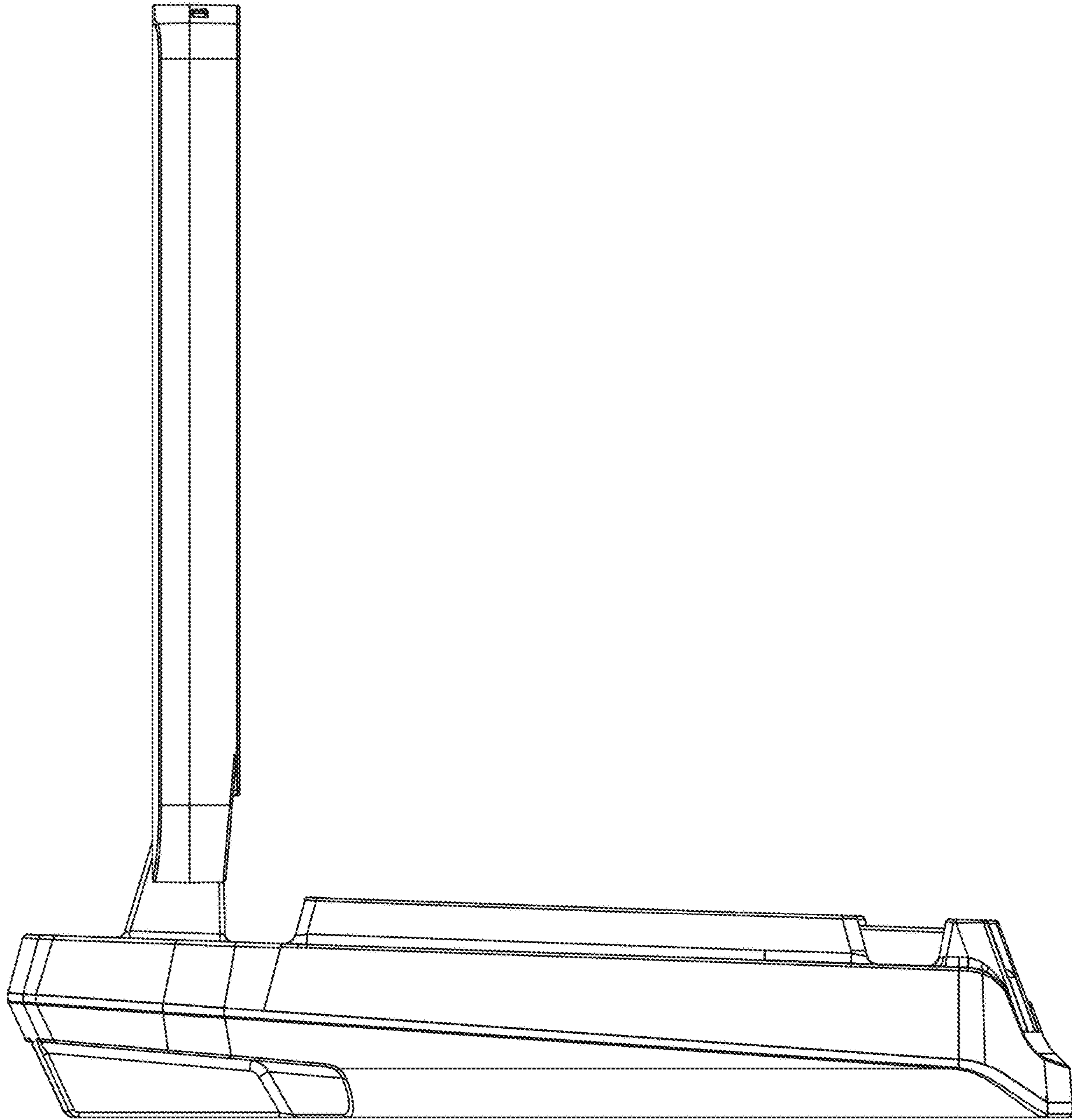


Fig. 10

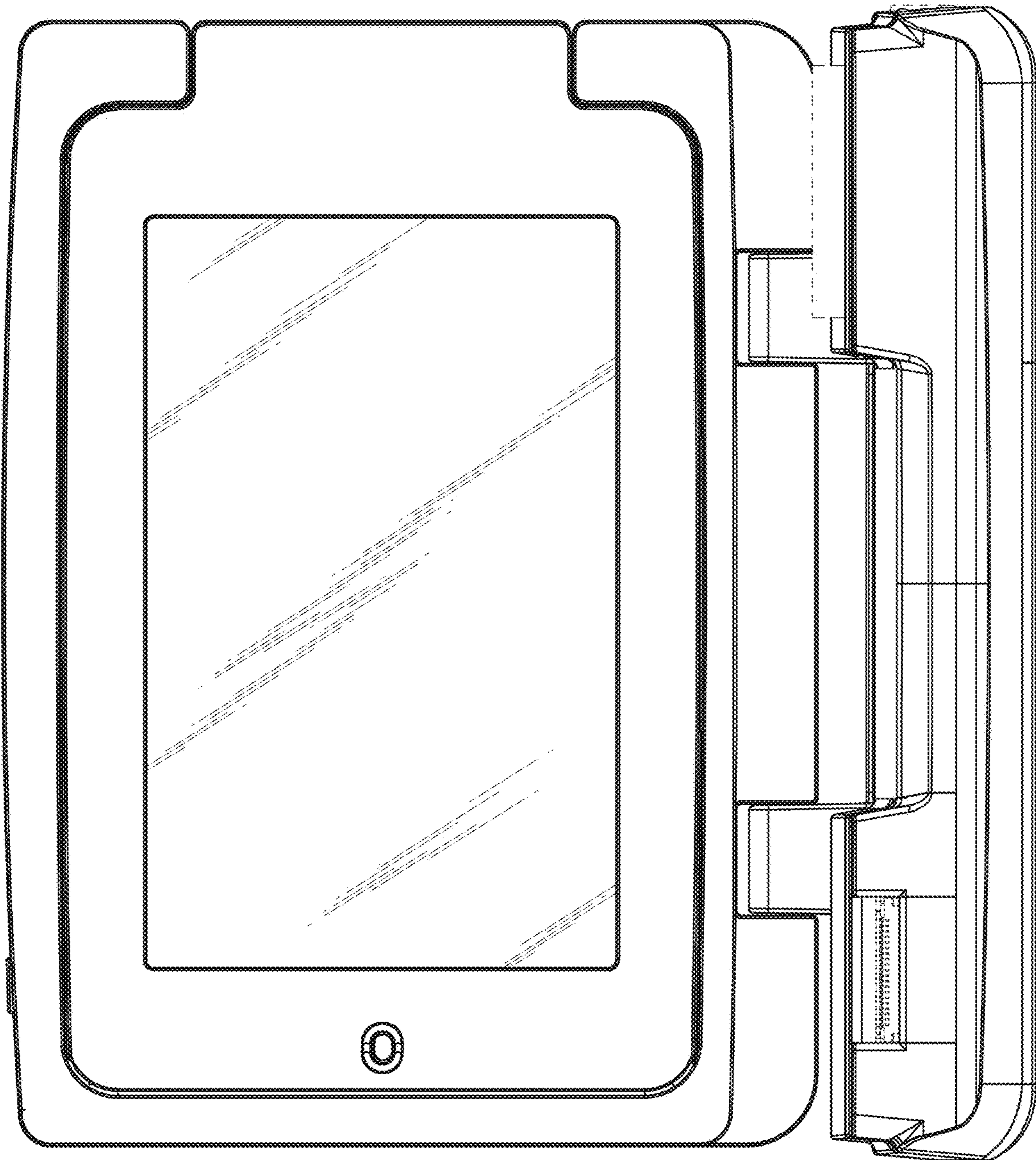


Fig. 11

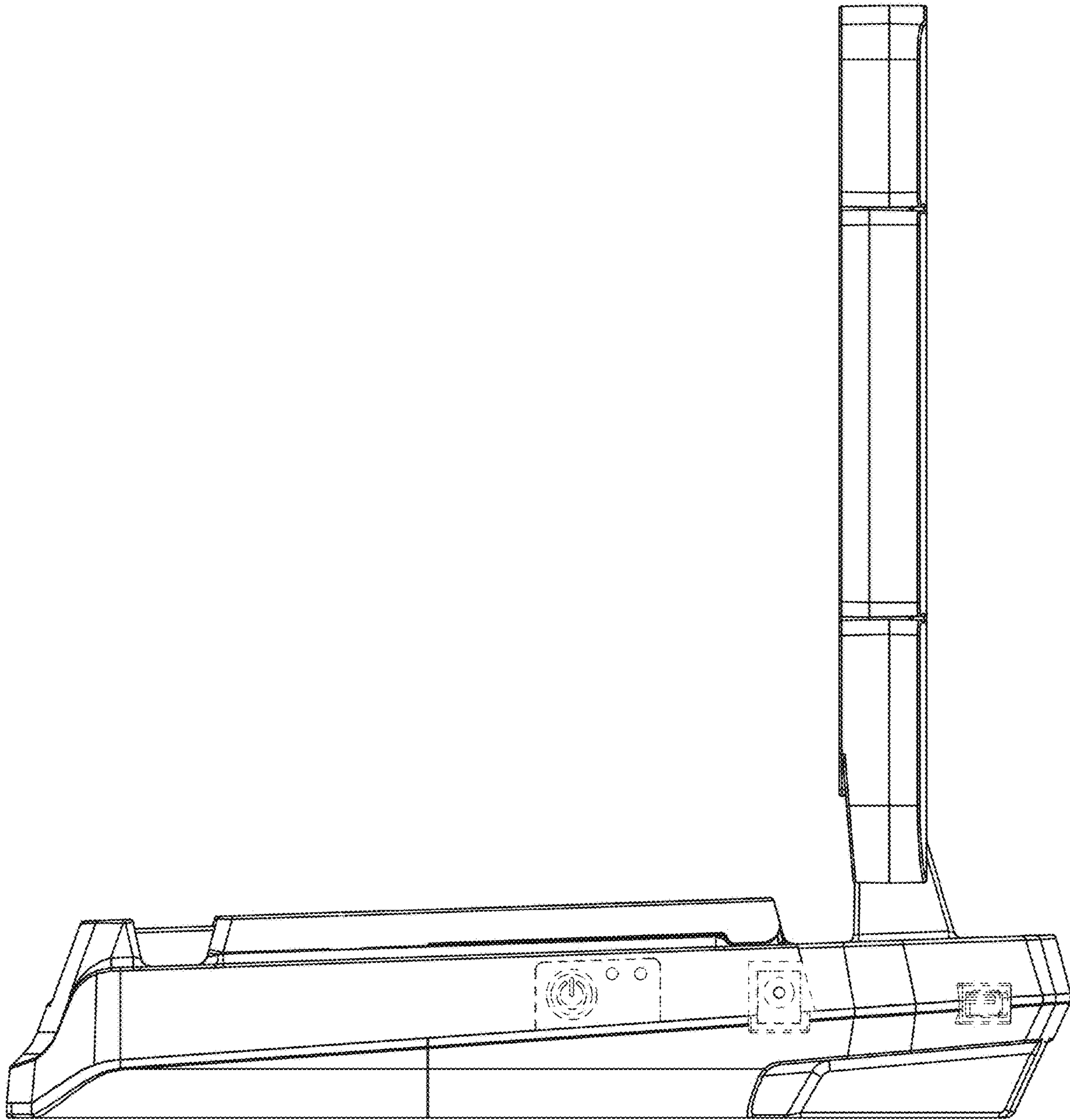


Fig. 12

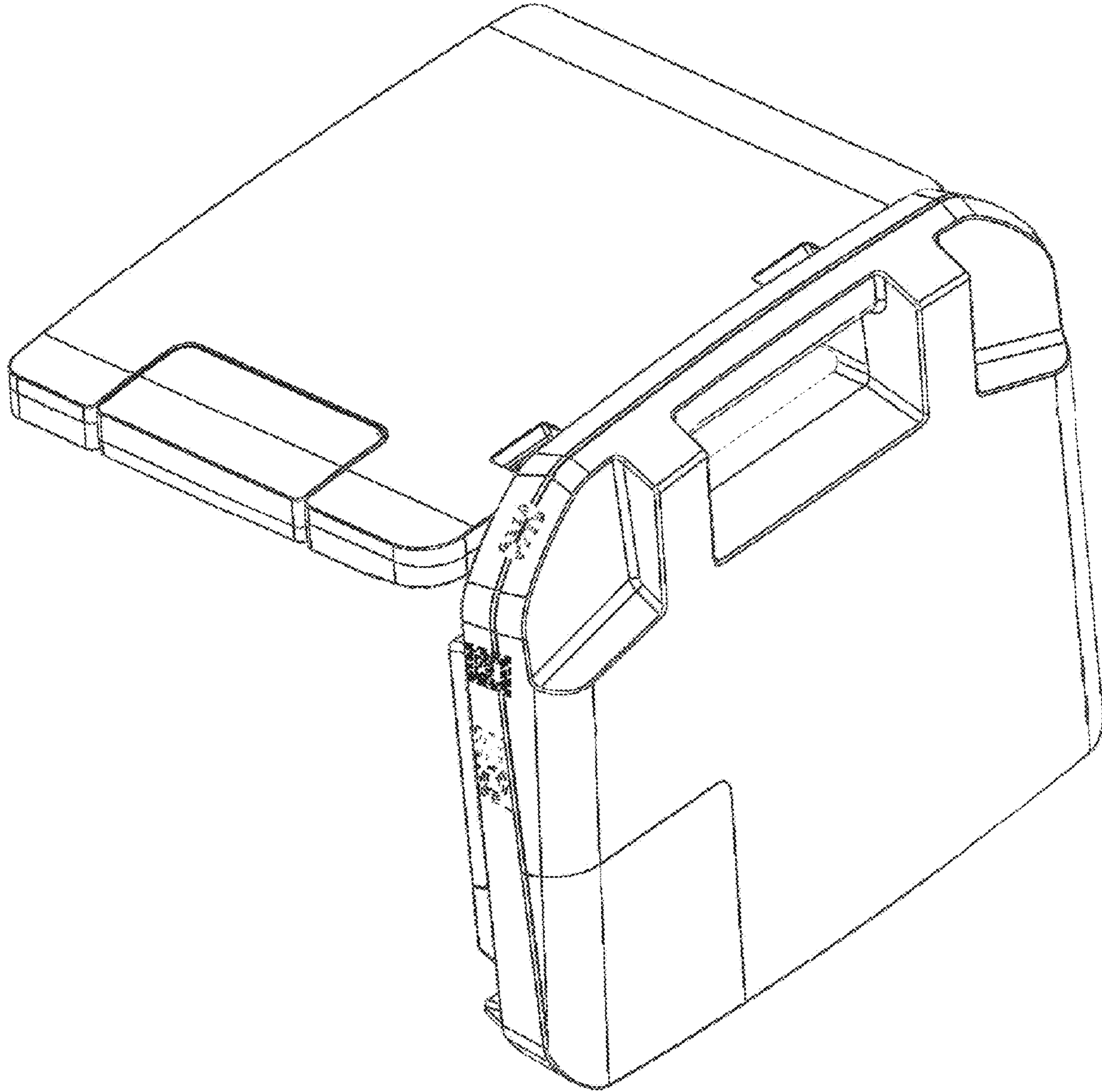


Fig. 13

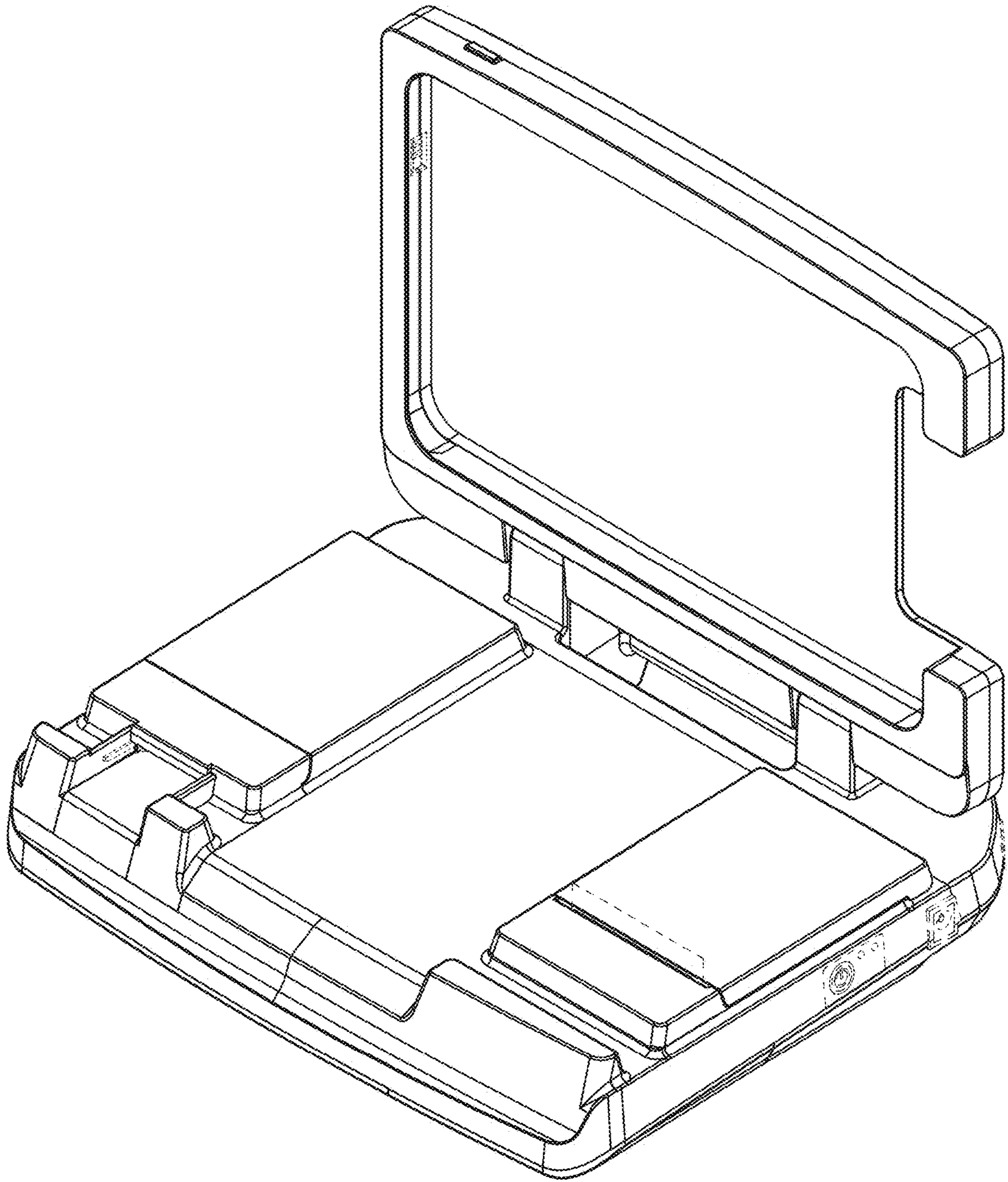
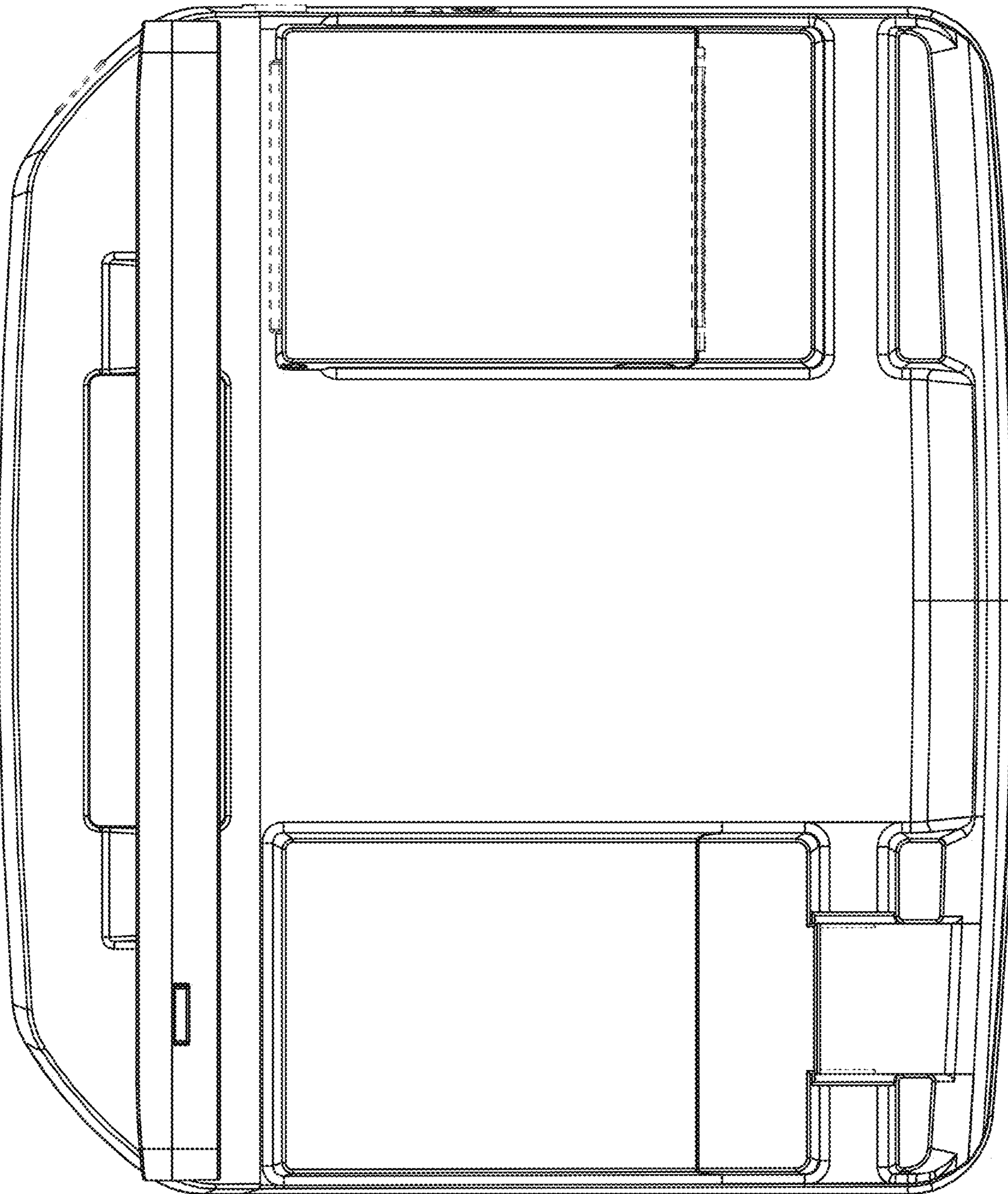


Fig. 14

Fig. 15



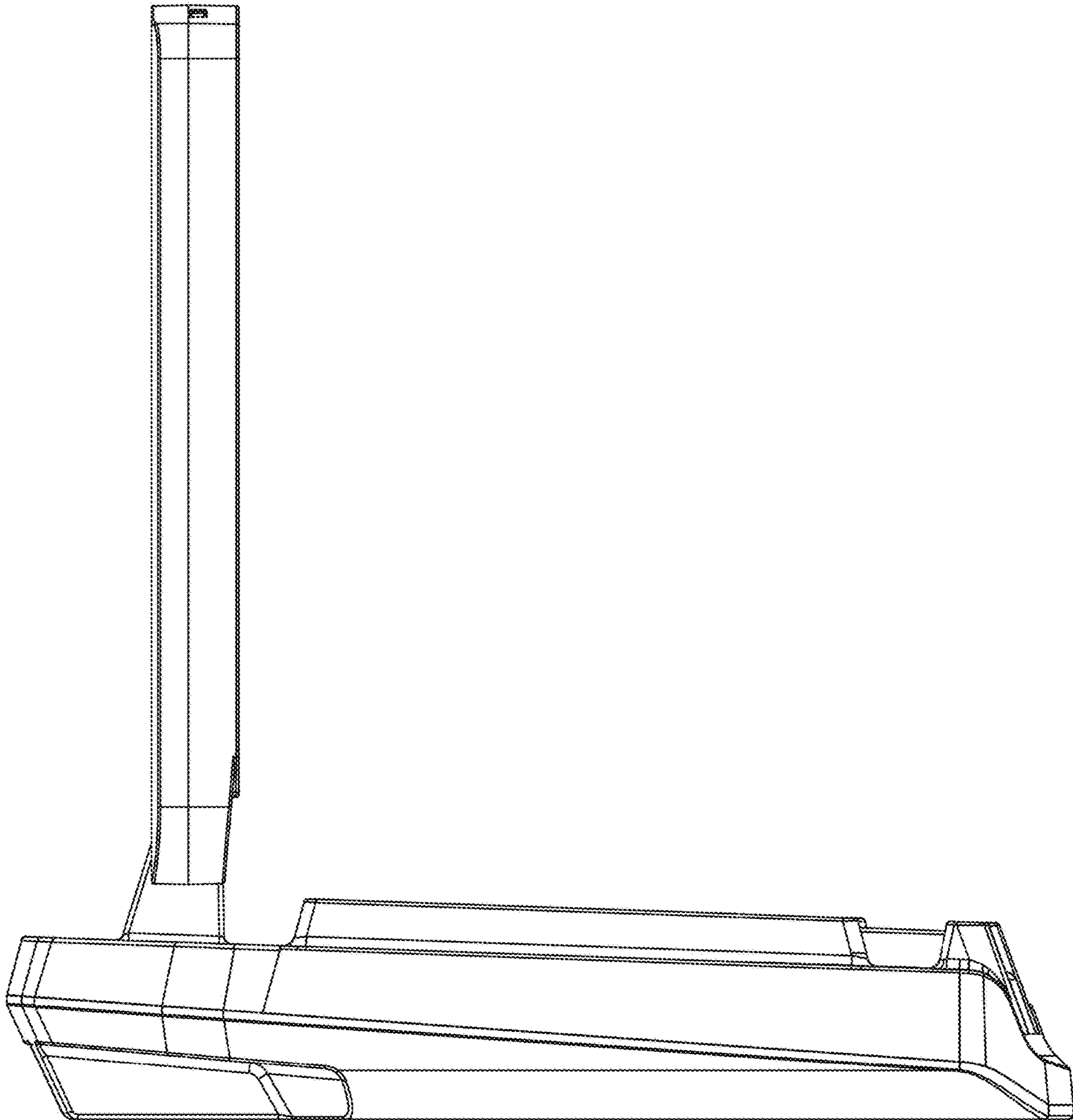
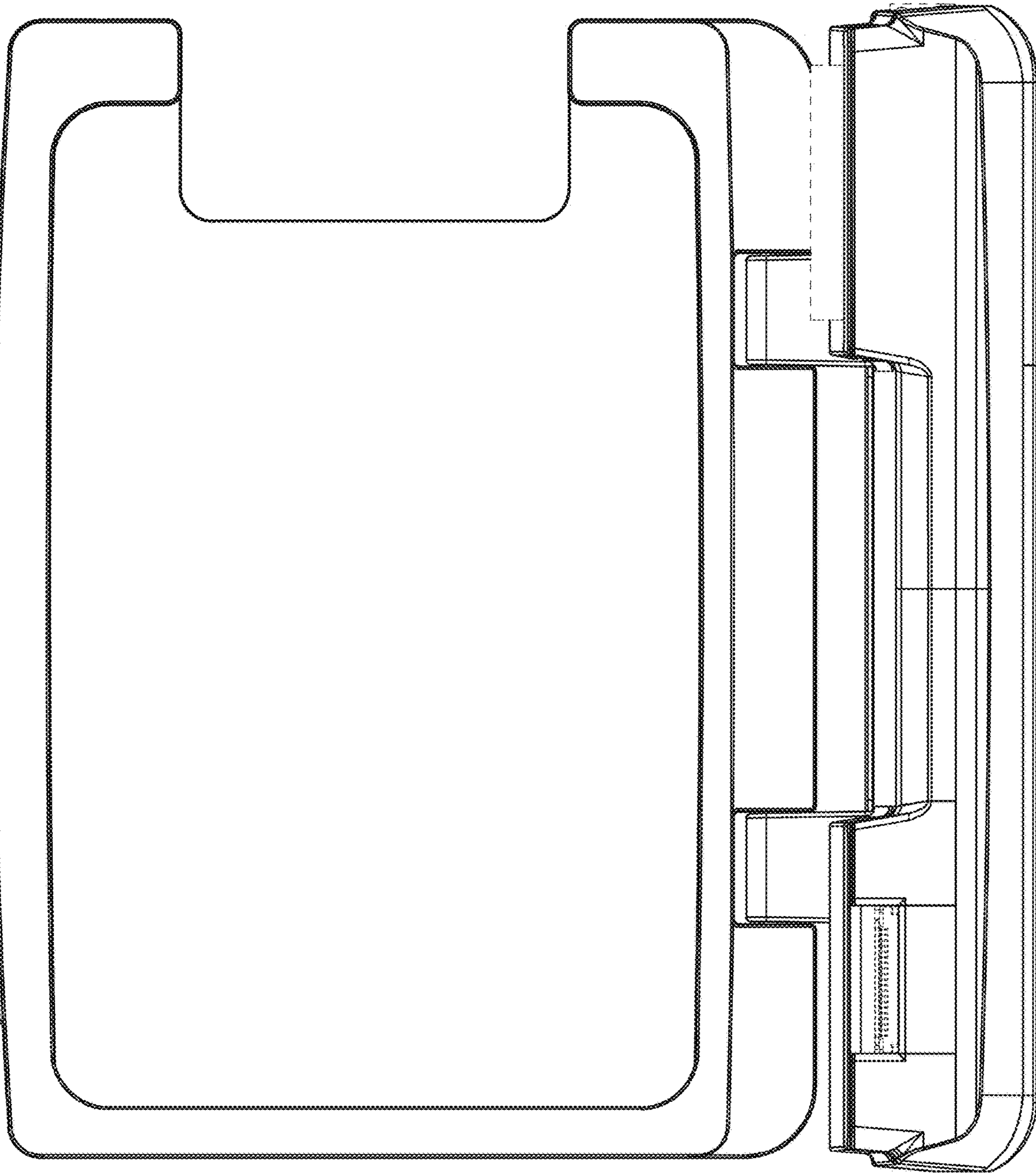


Fig. 16

Fig. 17



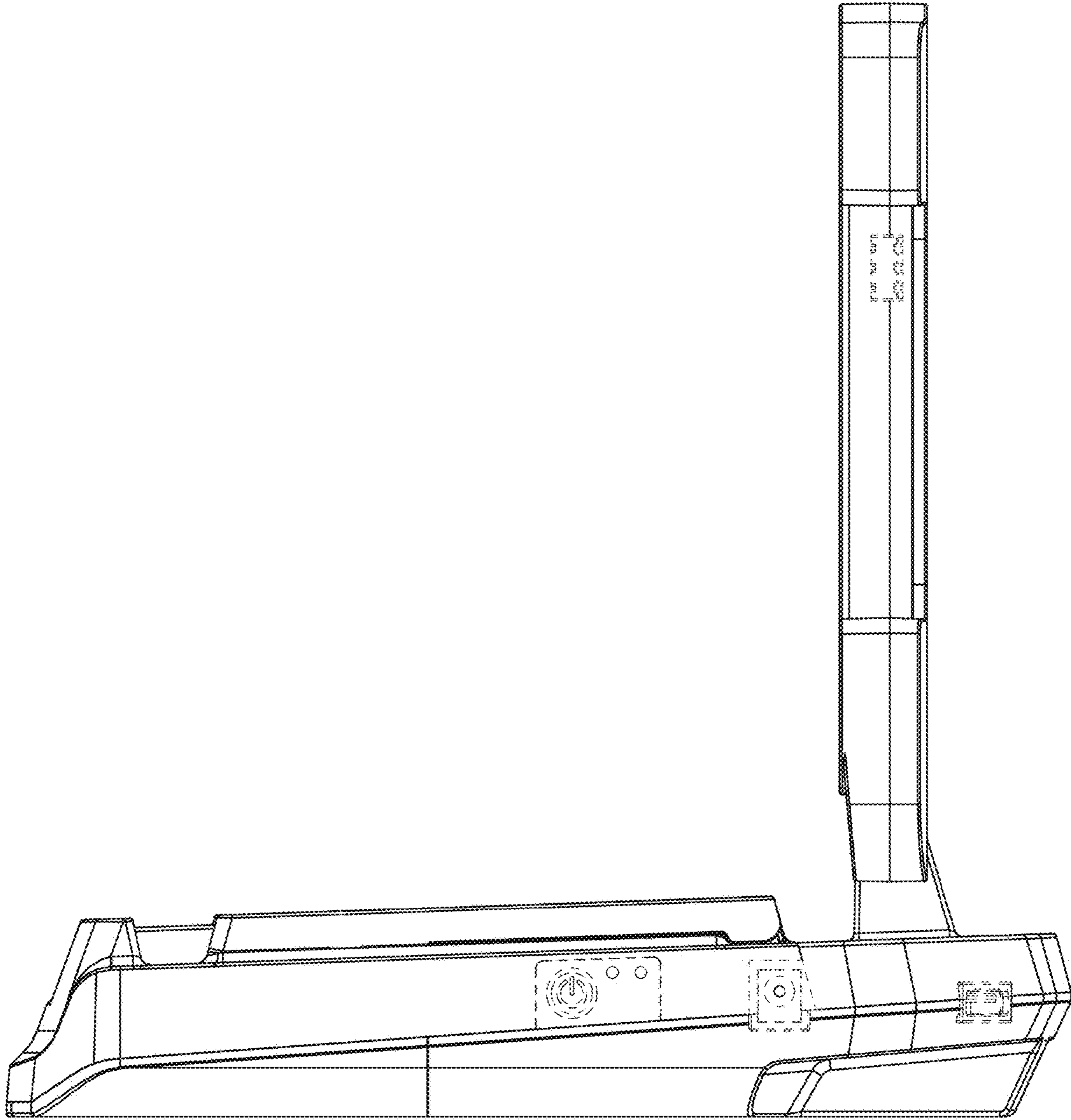


Fig. 18

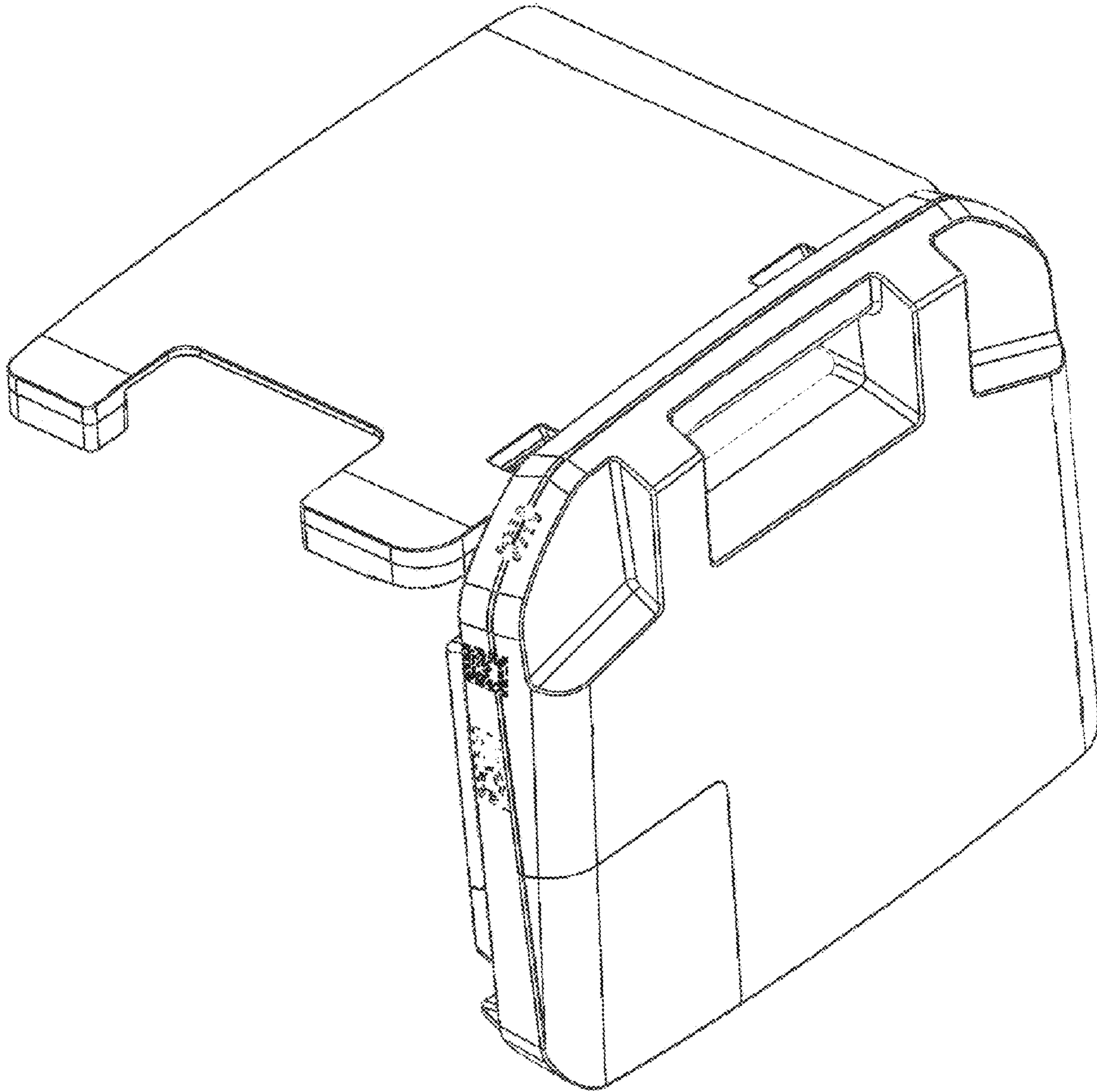


Fig. 19

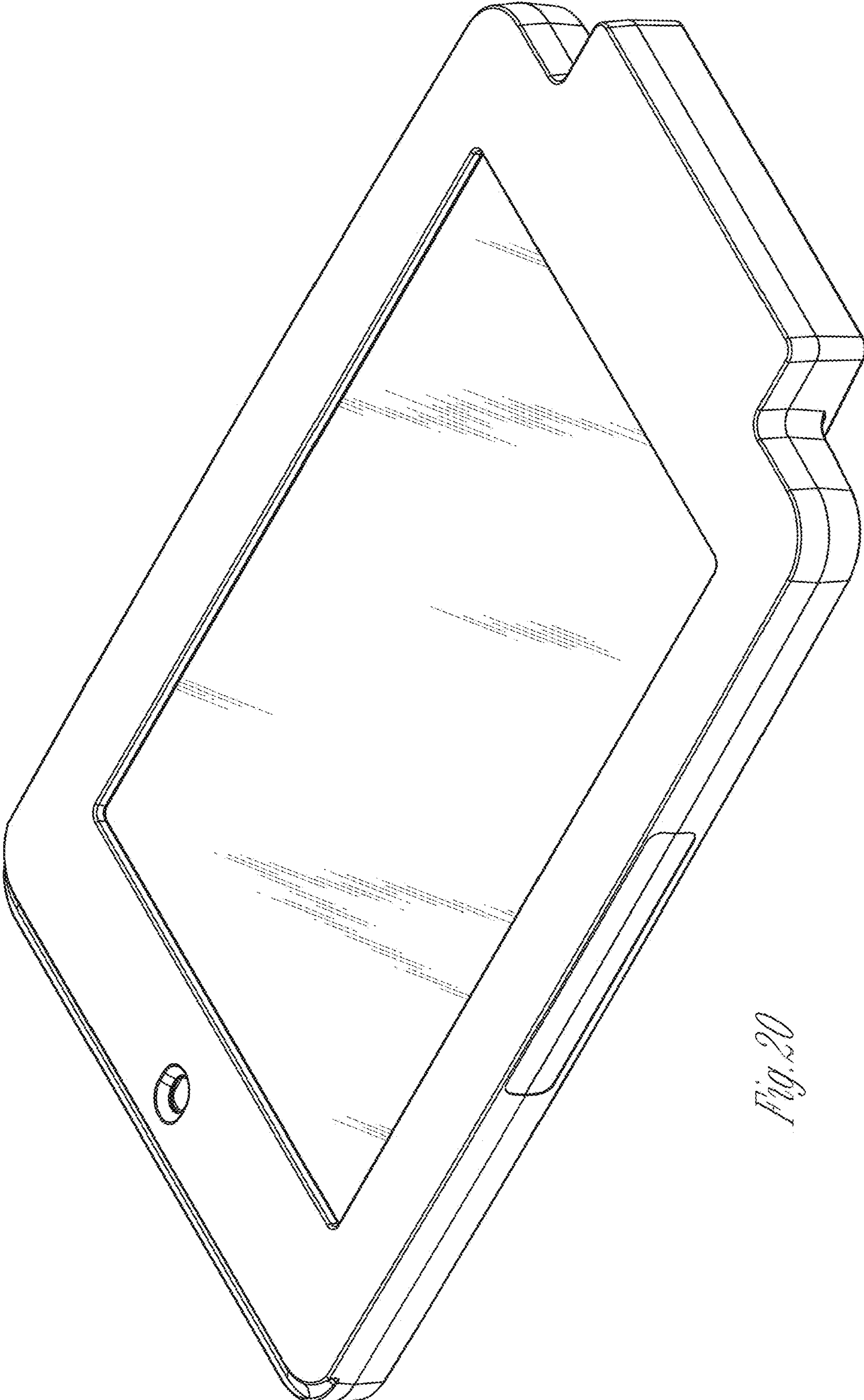


Fig. 20

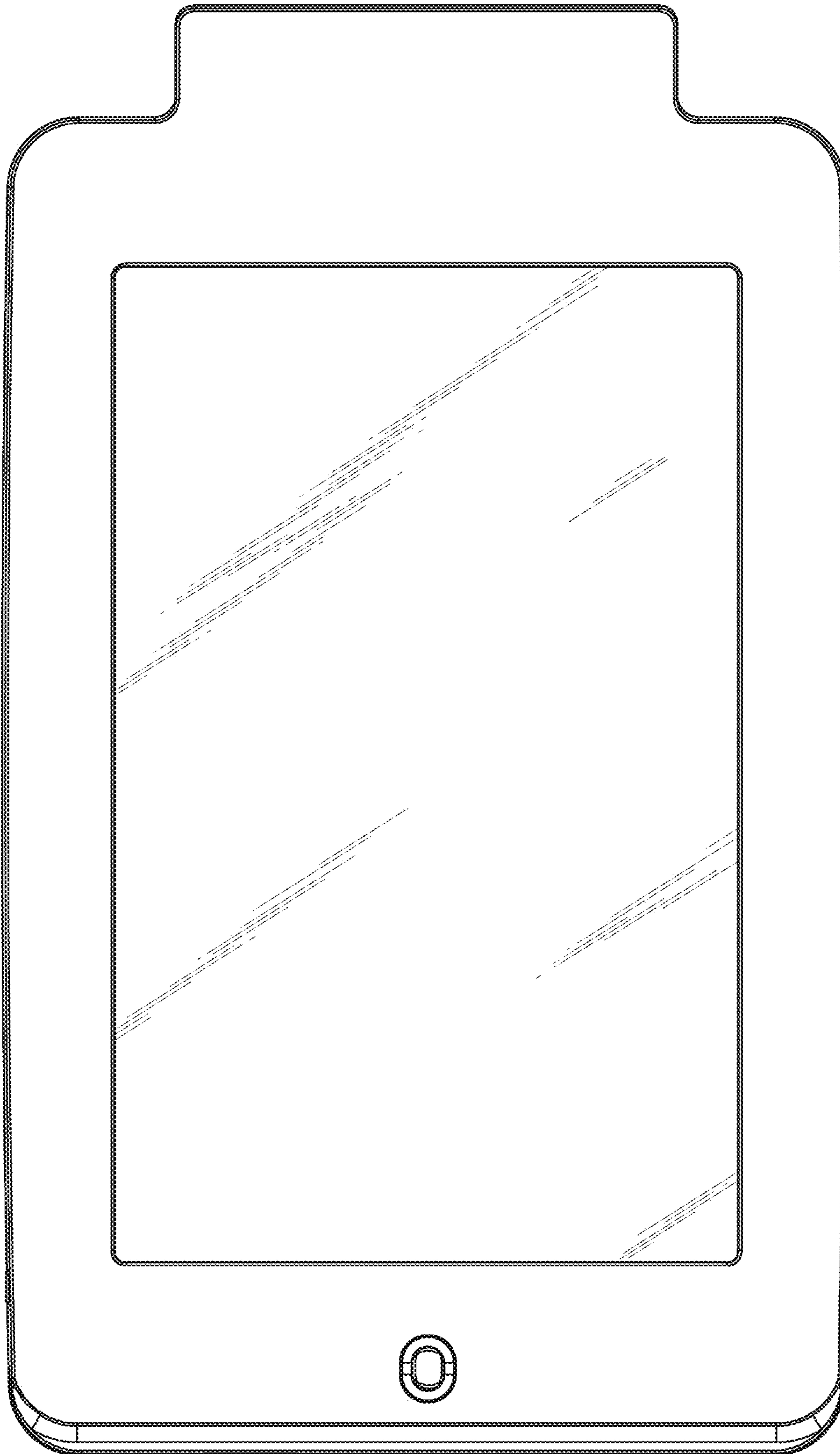


Fig. 21

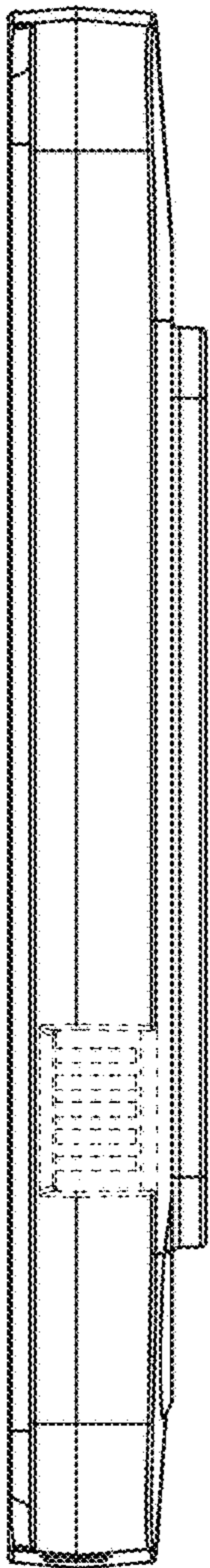


Fig. 22

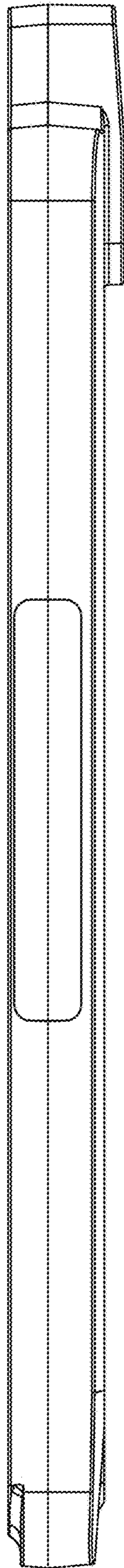


Fig. 23

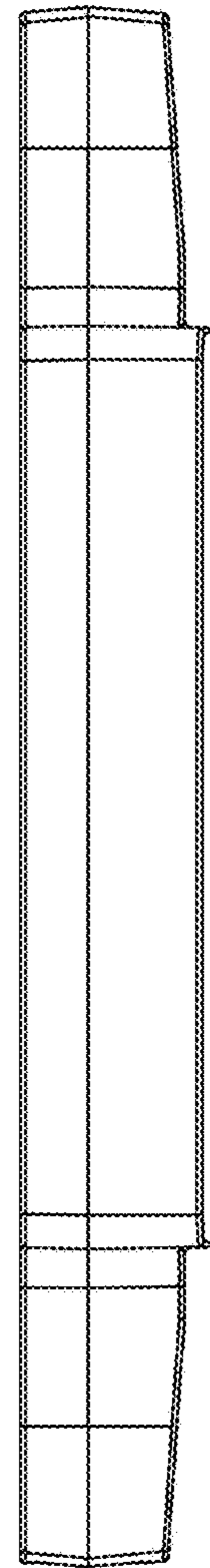


Fig. 24

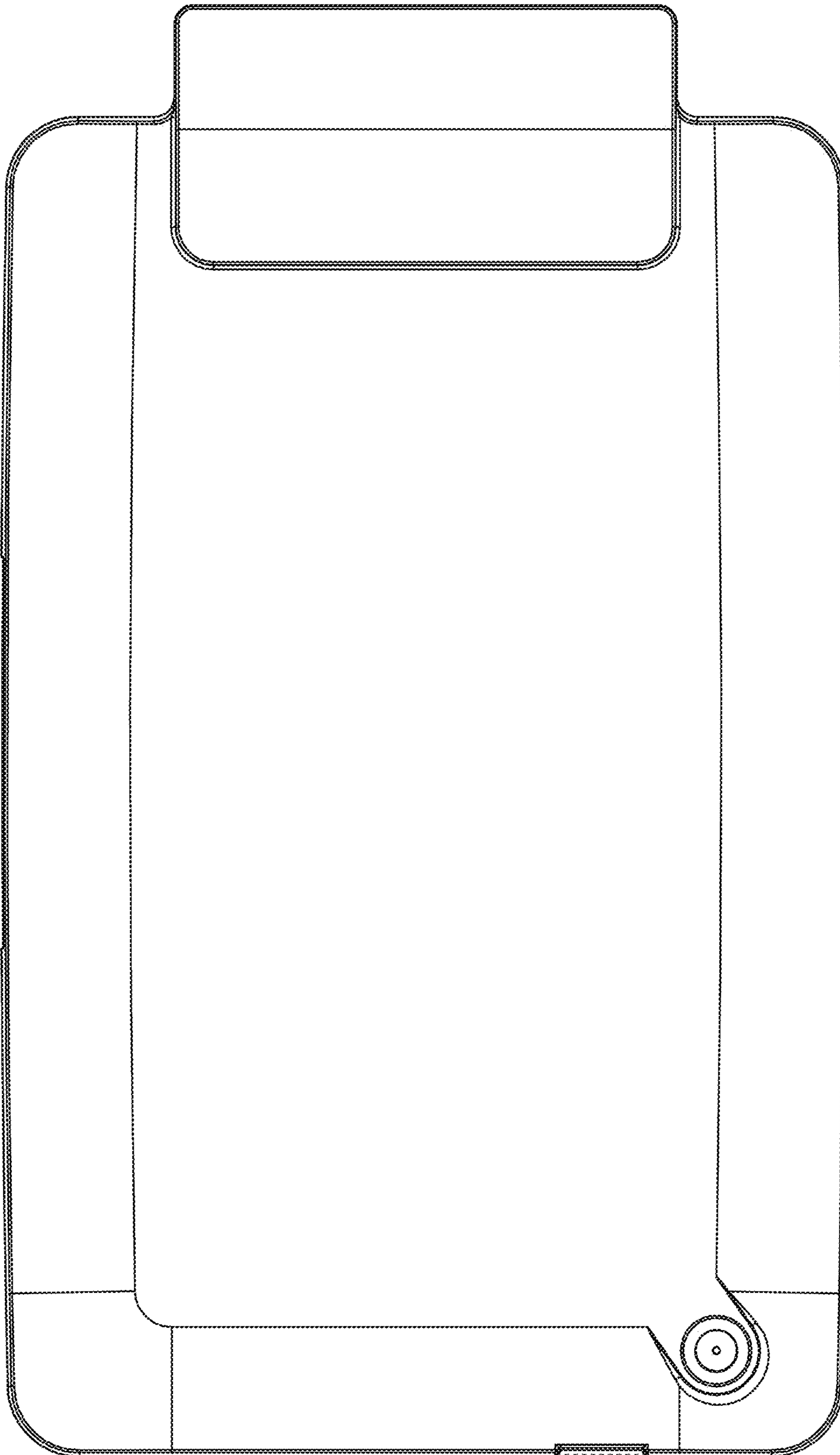


Fig. 25

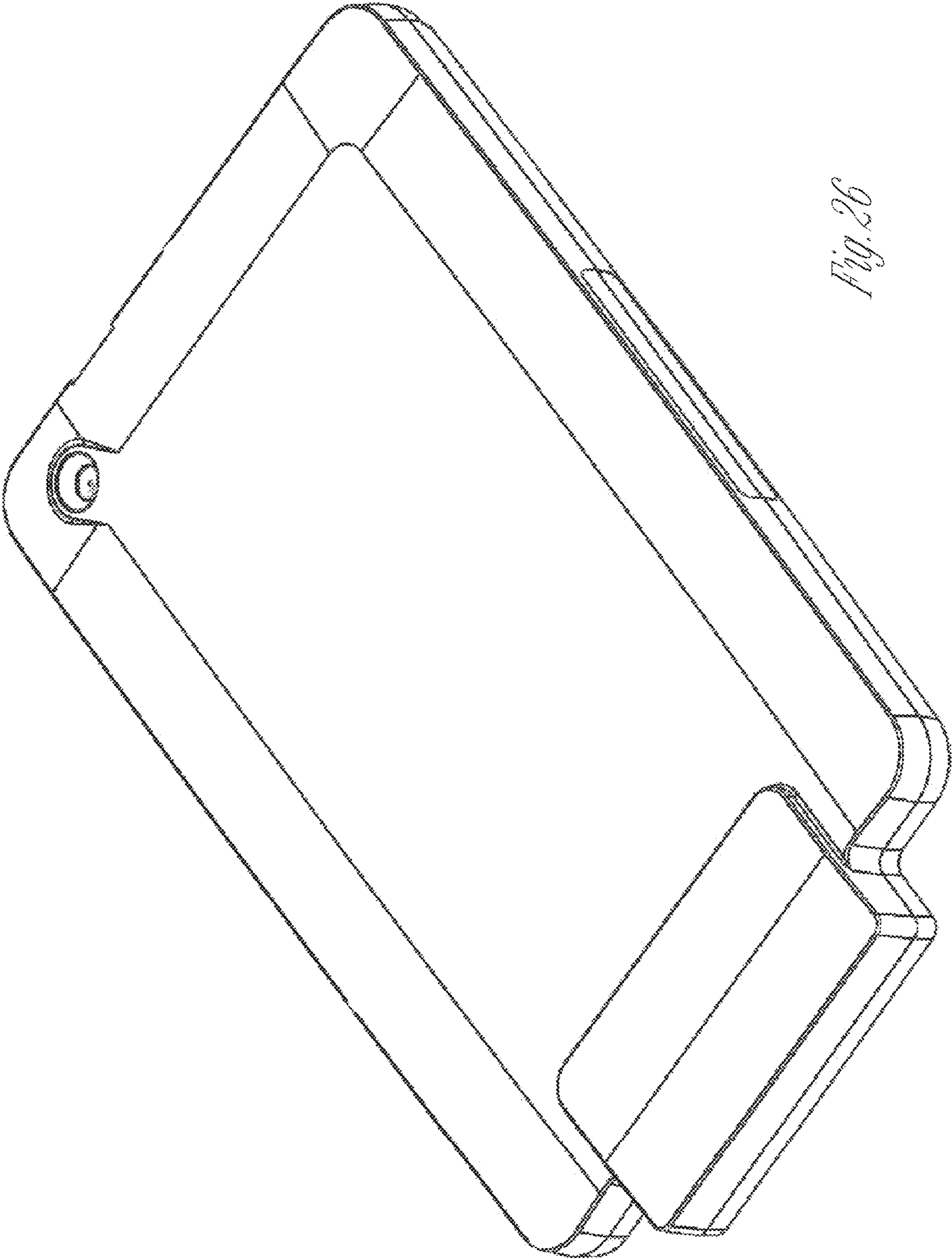


Fig. 26